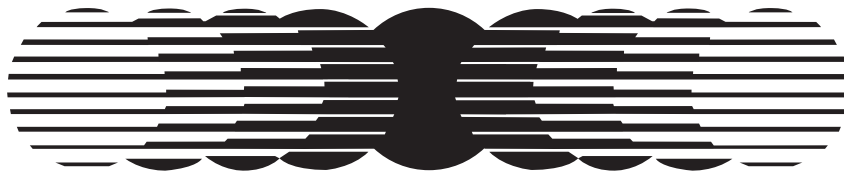


PARTS MANUAL

2010
WIC HARVESTER
8 ROW 22 SCRUB

Amity
TECHNOLOGY



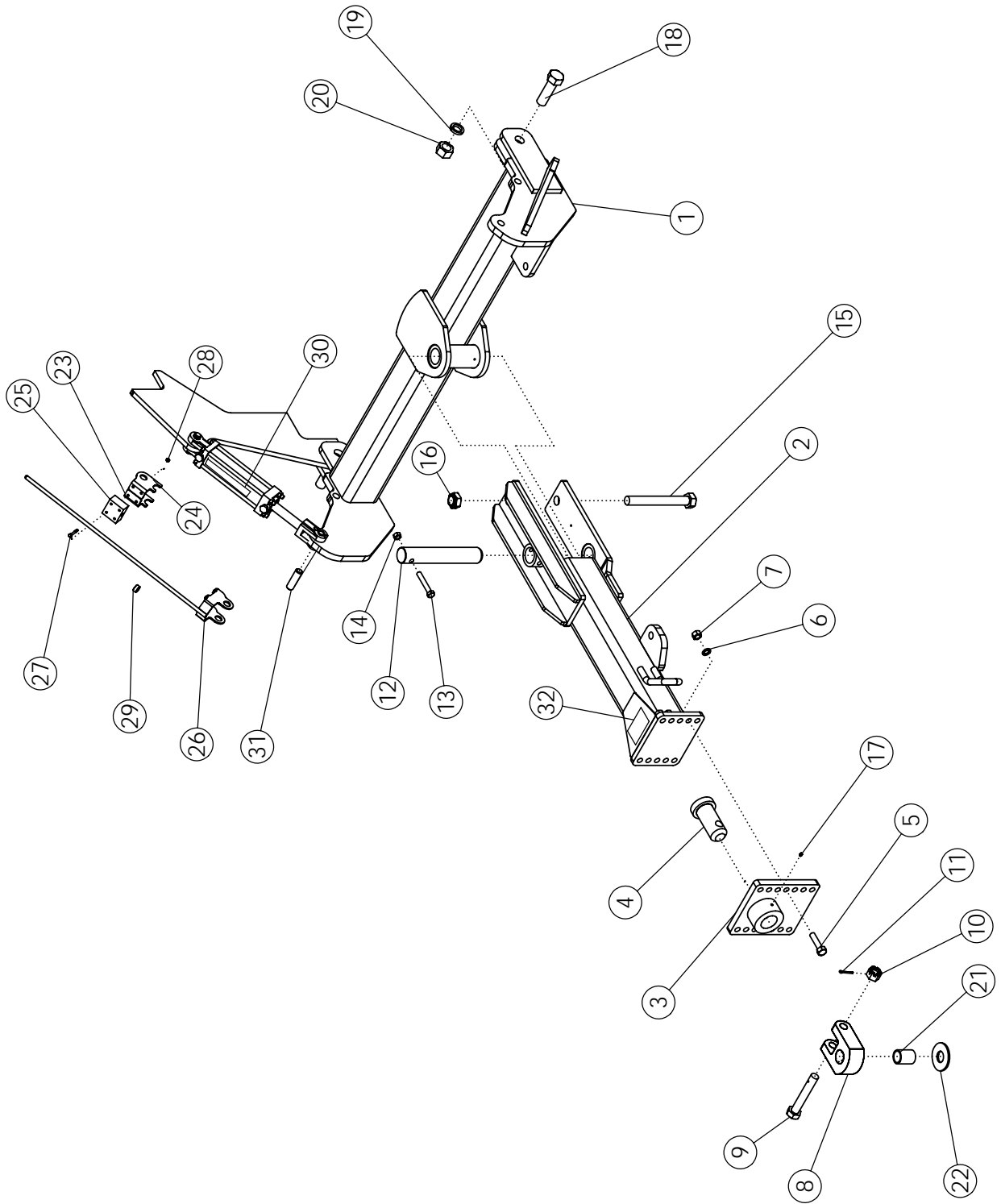
2800 7TH Avenue North
Fargo, ND 58102

Phone: (701) 232-4199
Fax: (701) 234-1716
www.amitytech.com

TABLE OF CONTENTS

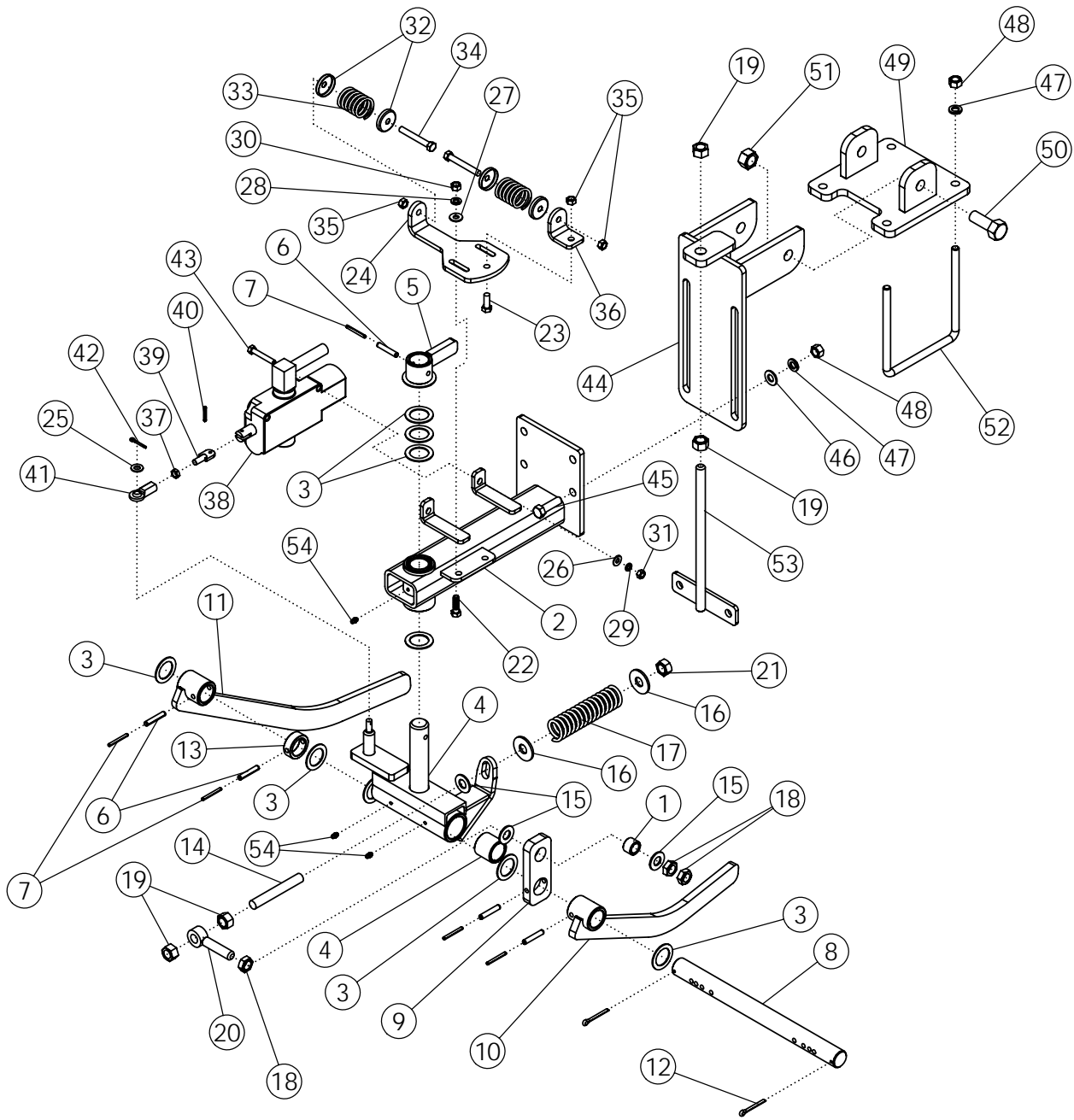
HITCH ASSEMBLY.....	1-2
LIFTER STRUT.....	3-10
ROW FINDER #51486.....	11-14
GUARDS & SHIELDS.....	15-18
DOOR ASSEMBLY.....	19-20
APRON SHAFT.....	21-24
PADDLE SHAFT.....	25-28
CLEANING ROLLS.....	29-32
CLEANING ROLL MOUNTING PACKAGE.....	33-34
MAIN DRIVE.....	35-38
MAIN DRIVE: ONBOARD OPTION.....	39-40
CLEANING ROLL DRIVE.....	41-42
APRON/PADDLE SHAFT DRIVE.....	43-44
TANK.....	45-46
ELEVATOR AND BOOM ASSEMBLY.....	47-50
BOOM EXTENSION 50MM/56MM (OPTIONAL).....	51-52
REAR SCRUB.....	53-56
REAR SCRUB: BELTED CHAIN.....	57-62
REAR SCRUB: HOOK CHAIN.....	63-64
REAR SCRUB DRIVE: GEARBOX.....	65-66
REAR SCRUB DRIVE: SINGLE MOTOR.....	67-70
REAR SCRUB DRIVE: DUAL MOTOR.....	71-72
STANDARD REAR STRUTS 11.2 X 24.....	73-76
STANDARD REAR STRUTS 14.9 X 30.....	77-78
STEERABLE REAR STRUTS.....	79-82
ROW FINDER & HITCH HYDRAULICS.....	83-84
VALVE GROUP: DUAL MOTOR SCRUB.....	85-86
TANK HYDRAULICS.....	87-88
HYDRAULIC TANK.....	89-90
LIGHT KIT.....	91-92
REVERSE #4 CLEANING ROLL #62111 (OPTIONAL).....	93-94
HARVESTER STAND #63357 (OPTIONAL).....	95-96
PTO DRIVELINE 1.75" – 20 SPLINE #51481.....	97-98
PTO DRIVELINE 1.38" – 21 SPLINE #51480.....	99-100
DRIVELINE COMPONENTS.....	101-102
GEARBOX (1.81:1) #63846.....	103-104
GEARBOX (1.81:1): ONBOARD OPTION #62396.....	105-106
GEARBOX (1.35:1) #63847.....	107-108
GEARBOX (1:1.35) #63848.....	109-110
MOTOR (13.9 IN ³) #57687.....	111-112

MOTOR (32.3 IN ³) #57686.....	113-114
HYDRAULIC PUMP #62153.....	115-116
HYDRAULIC CYLINDER (2.5 X 16") #58889.....	117-118
HYDRAULIC CYLINDER (3 X 8") #58890.....	119-120
HYDRAULIC CYLINDER (4 X 8") #58991.....	121-122
HYDRAULIC CYLINDER (4 X 10") #62082.....	123-124
FLOW CONTROL VALVE #58985.....	125-126
SELECTOR VALVE #58470.....	127-128
ROW FINDER VALVE #62350.....	129-130
SPROCKET #54824.....	131-132
BELT TIGHTENER #56422.....	131-132
SLIP CLUTCH (IN-LINE) #57926.....	133-134
SLIP CLUTCH/SPROCKET #57993.....	133-134
SLIP CLUTCH/SPROCKET #58335.....	133-134
SLIP CLUTCH/SPROCKET #69630.....	135-136
IDLER PULLEY #56409.....	137-138
SPROCKET IDLER #56851.....	137-138
ROLLERS.....	139-140
SCRUB DRIVELINE ASSEMBLY.....	141
BELT LAP JOINT.....	142
BELT REPAIR KIT.....	143
TOOL CUTTER.....	144



HITCH ASSEMBLY

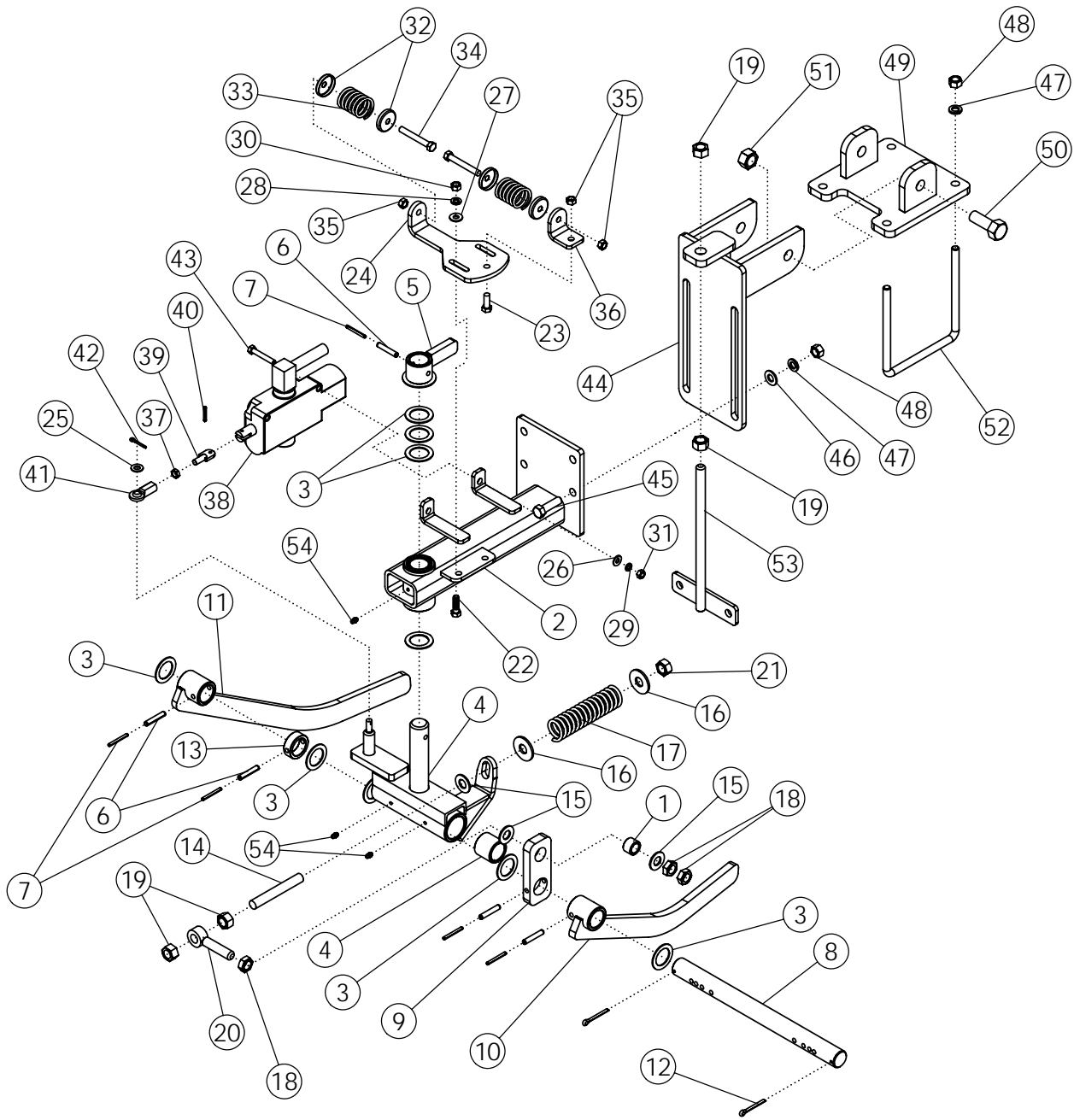
ITEM	PART NO.	DESCRIPTION	QTY
1	72023	WLDMT - HITCH PIVOT 12R	1
2	57928	WLDMT - DRAWPOLE	1
3	57930	WLDMT-HITCH PLATE	1
4	62101	WLDMT-PIN	1
5	1012059	BOLT-HEX: .75 X 3.00 NC GR5 ZP	6
6	1012061	WASHER-LOCK: .75 ZP	6
7	1011620	NUT-HEX: .75 NC	6
8	64476	PLATE-PULL HITCH	1
9	62477	BOLT-HITCH DRILLED	1
10	62088	NUT-SLOTTED: 1.13 NC GR5 ZP	1
11	1013473	PIN-COTTER: .19 X 2.00 NP	1
12	50678	PIN	1
13	1015117	BOLT-HEX: .63 X 4.00 NC GR8 ZP	1
14	1016595	NUT-TOPLOCK: .63 NC GR5 ZP	1
15	1030756	BOLT-HEX: 1.25 X 10.50 NC GR5 ZP	1
16	1030759	NUT-TOPLOCK: 1.25 NC ZP	1
17	1011748	ZERK - GREASE	4
18	72021	BOLT-HEX: 1.38 X 4.50 NC GR5 ZP	2
19	1030760	WASHER-LOCK: 1.38 ZP	2
20	1030758	NUT-HEX: 1.38 NC ZP	2
21	64614	SLEEVE 1.38	1
	64615	SLEEVE 1.25	
22	58925	HARDENED WASHER	1
23	63995	TOP BRACKET RH	1
24	63996	TOP BRACKET LH	1
25	63383	POLY GUIDE BLOCK	1
26	63999	WLDMT - BOTTOM_BRACKET	1
27	1016211	BOLT-HEX: .25 X 2.00 NC GR5	4
28	1030946	NUT-TOPLOCK: .25 NC GR5 ZP	4
29	63359	SET COLLAR .56	1
30	63405	DECAL-DEPTH GAUGE	1
31	63406	PIN-CLEVIS: 1.00 X 4.00 ZP	2
32	52448	DECAL-CAUTION	1
33	69256	CHAIN-SAFETY 41000# (NOT SHOWN)	1



HYDRAULIC ROW FINDER #51486

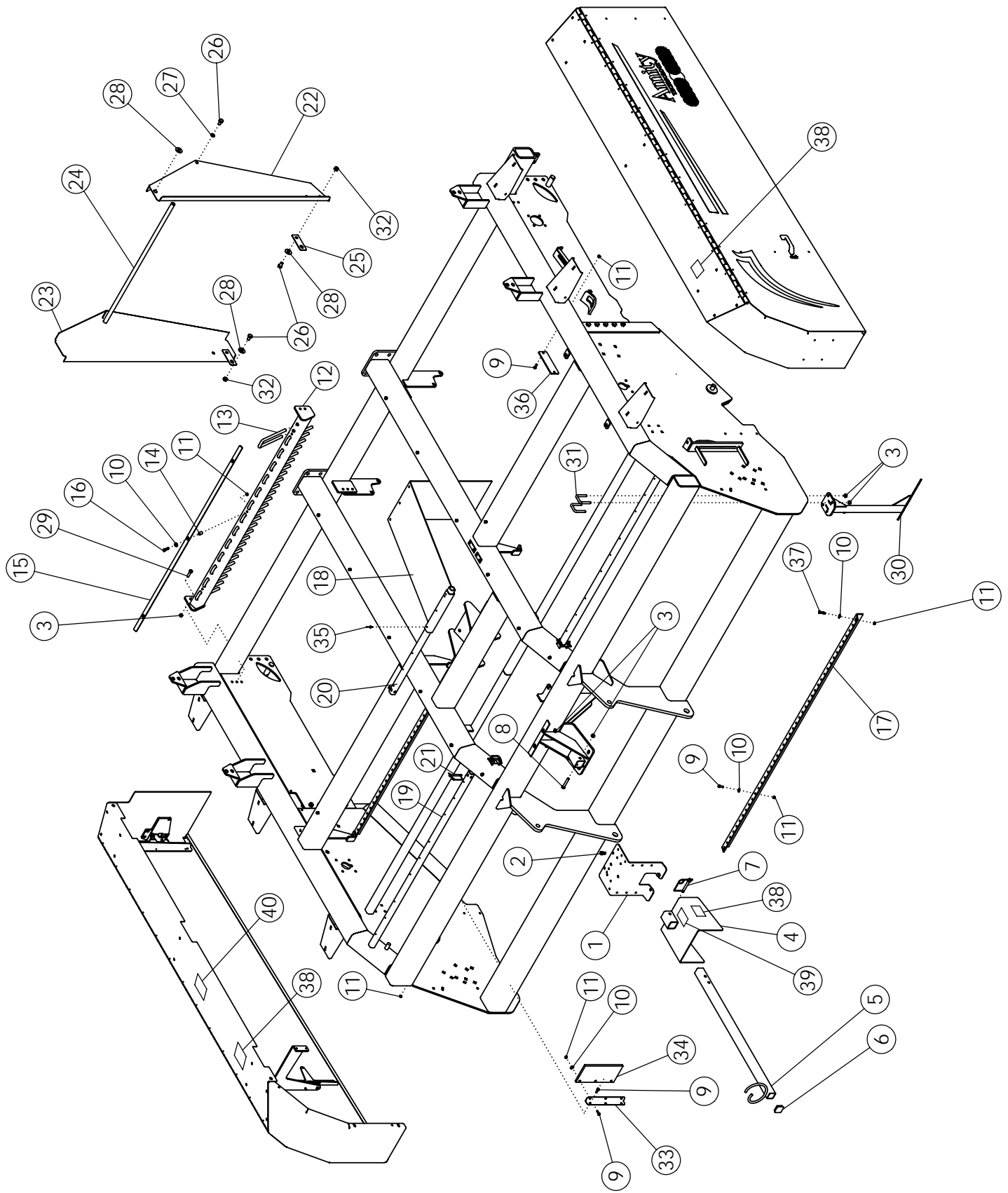
ITEM	PART NO.	DESCRIPTION	QTY
1	52567	BUSHING-ZP	1
2	62520	ASSY-MAIN FRAME	1
3	55206	BUSHING-MACH: 1.25 NR 14GA	9
4	51139	ASSY - SWIVEL	1
5	51130	WLDMT-FLIPPER	1
6	1030793	PIN-ROLL: .31 X 1.75 ZP	5
7	1030798	PIN-ROLL: .31 X 1.75 ZP	5
8	51690	SHAFT ZP	1
9	52566	TENSIONER ARM	1
10	51131	SENSOR ARM-L.H.	1
11	52564	SENSOR ARM-R.H.	1
12	1030797	PIN-COTTER: .19 X 1.75 NP	2
13	51137	COLLAR	1
14	52565	ADJUSTMENT BOLT	1
15	1013004	WASHER-FLAT: SAE .63 ZP	3
16	1013024	WASHER-FLAT: .63 ZP	2
17	51692	SPRING: .21 X 1.44 OD X 6.00 15 COILS	1
18	1026259	NUT-JAM: .63 NC GR2 ZP	3
19	1011578	NUT-HEX: .63 NC GR2 ZP	4
20	51691	EYEBOLT: .63 X 3.25 ZP	1
21	1016595	NUT-TOPLOCK: .63 NC GR5 ZP	1
22	1011601	BOLT-HEX: .38 X 1.25 NC GR5 ZP	2
23	1011600	BOLT-HEX: .38 X 1.00 NC GR5 ZP	1
24	51129	PLATE	1
25	1014608	WASHER-FLT: SAE .38 ZP	1
26	1020416	WASHER-FLAT: .25 ZP	2
27	1011583	WASHER-FLAT: .31 ZP	2
28	1011586	WASHER-LOCK: .38 ZP	2
29	1029115	WASHER-LOCK: .31 ZP	2
30	1011576	NUT-HEX: .38 NC GR2 ZP	2
31	1011575	NUT-HEX: .31 NC GR2 ZP	2
32	52582	SPRING CAP	4
33	51689	SPRING	2
34	1019828	BOLT-HEX: .38 X 2.75 NC GR5 ZP	2
35	1016999	NUT-TOPLOCK: .38 NC GR5 ZP	3
36	51128	SPRING PLATE	1
37	1030792	NUT-JAM: .38 NF GR2 ZP	1
38	62350	VALVE-ROWFINDER O/C	1
39	62540	PLATE STUD ZP	1
40	64157	PIN-ROLL: .19 X 1.125 ZP	1

CONTINUED



HYDRAULIC ROW FINDER #51486 (CONTINUED)

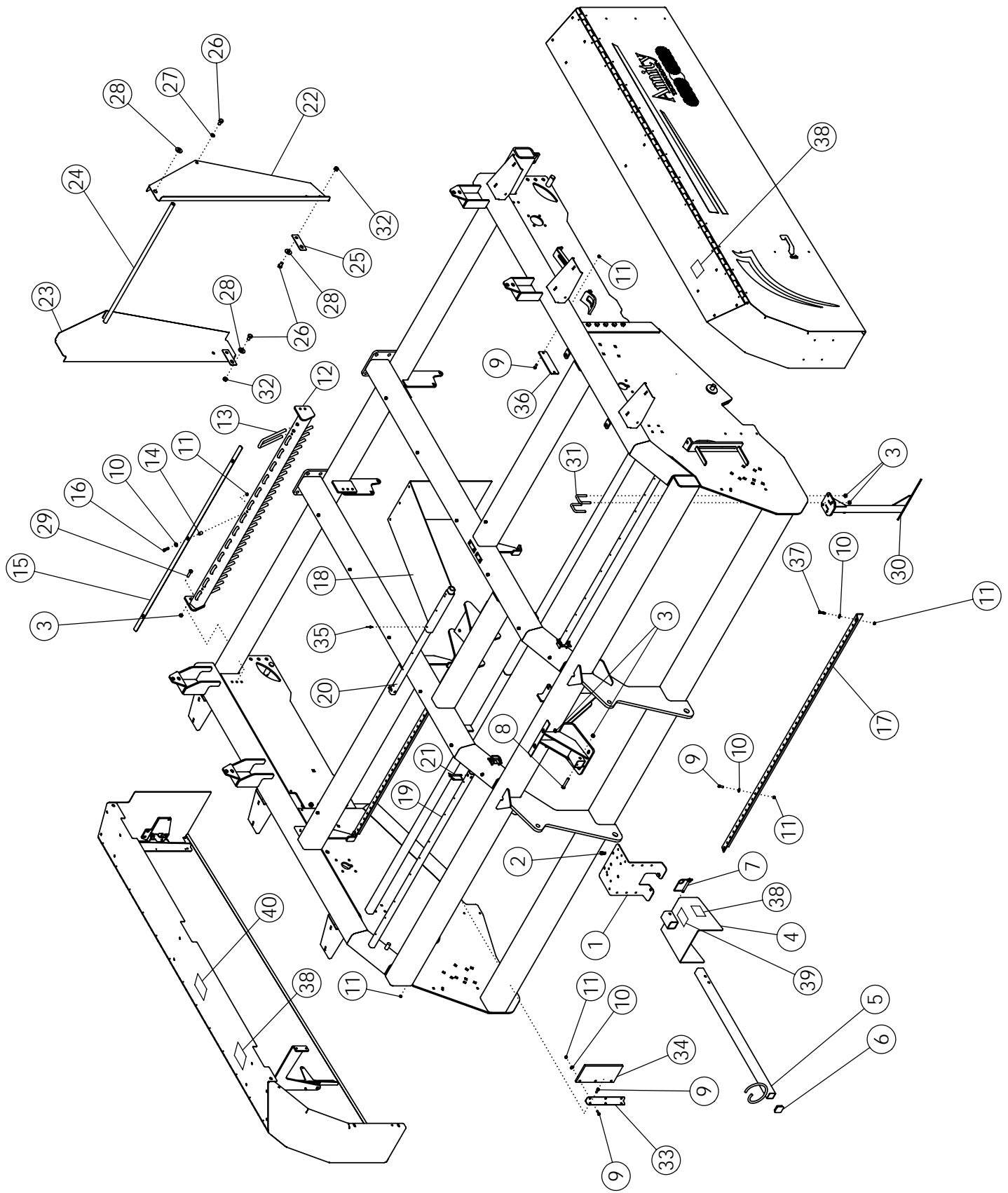
ITEM	PART NO.	DESCRIPTION	QTY
41	51136	UNIBALL COUPLING	1
42	64570	PIN-COTTER: .13 X 1.00 ZP	1
43	1011285	BOLT-HEX: .31 X 2.00 NC	2
44	52181	MOUNTING BRACKET	1
45	1011608	BOLT-HEX: .50 X 1.75 NC GR5 ZP	4
46	1011584	WASHER-FLAT: SAE .50 ZP	4
47	1011581	WASHER-LOCK: .50 ZP	8
48	1011577	NUT-HEX: .50 NC GR2 ZP	8
49	62871	WLDMT-BRACKET	1
50	1012060	BOLT-HEX: .75 X 2.00 NC GR5 ZP	2
51	1013537	NUT-TOPLOCK: .75 NC GR5 ZP	2
52	53984	U-BOLT 1/2 X 7 X 6 X 7	2
53	62882	TIGHTENER BOLT-ZP	1
54	1011748	ZERK - GREASE	3



GUARDS AND SHIELDS

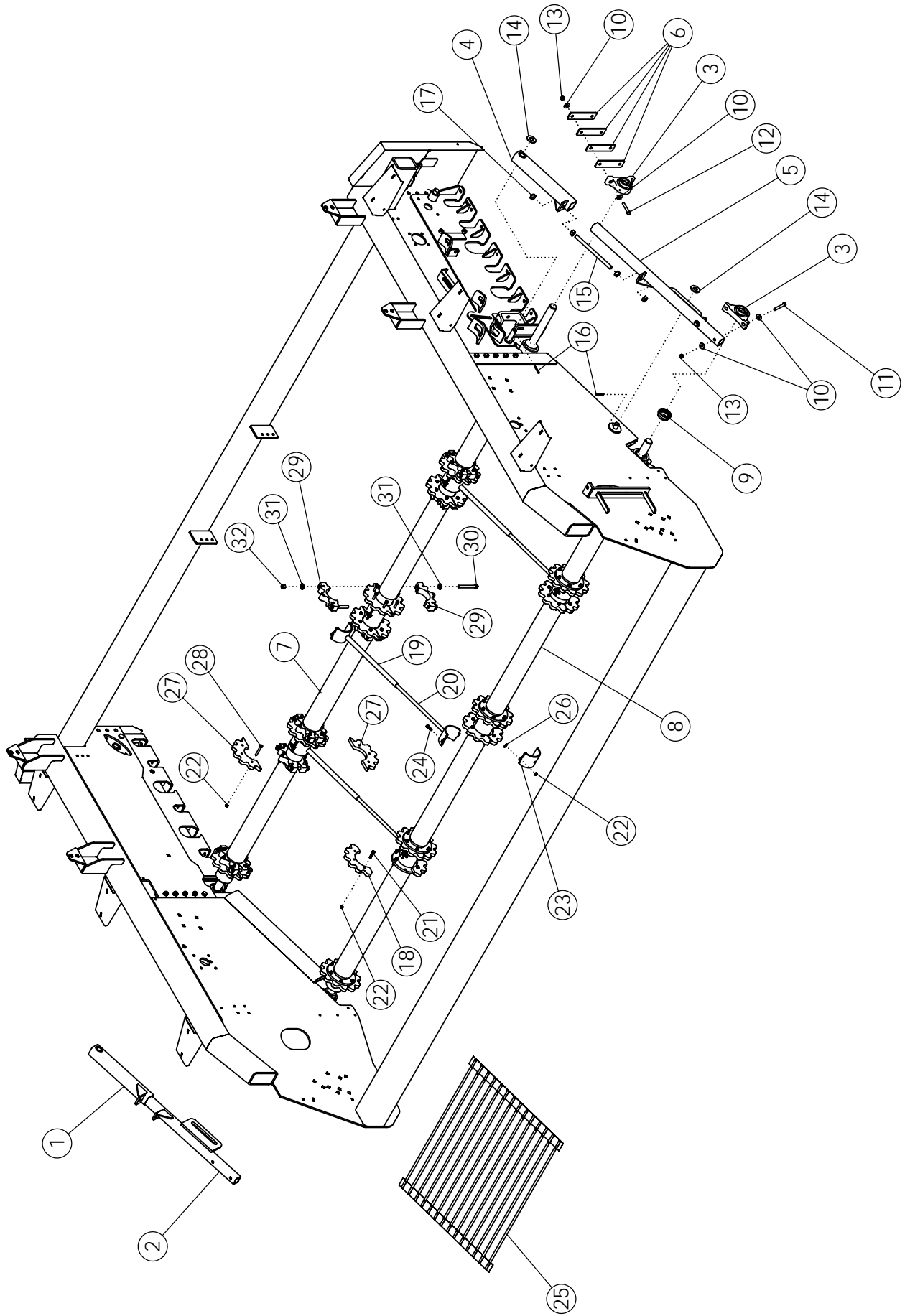
ITEM	PART NO.	DESCRIPTION	QTY
1	62883	PLATE-HOSE MOUNT	1
2	1011096	BOLT-HEX: .50 X 1.00 NC GR5 ZP	4
3	1027461	NUT-TOPLOCK: .50 NC GR5 ZP	41
4	63354	WLDMT-PTO SHIELD	1
5	54800	WLDMT-HOSE SUPPORT	1
6	63869	CAPLUG-2" SQ	1
7	52408	SPRING PIN .50" X 3.50"	1
8	1011611	BOLT-HEX: .50 X 3.00 NC GR5 ZP	1
9	1011600	BOLT-HEX: .38 X 1.00 NC GR5 ZP	40
10	1011828	WASHER-FLAT: .38 ZP	48
11	1016999	NUT-TOPLOCK: .38 NC GR5 ZP	59
12	58182	WLDMT-MOUNT	2
13	69117	U ROD ZP	28
14	58446	SPACER ZP	6
15	58448	STRAP	2
16	1011603	BOLT-HEX: .38 X 1.75 NC GR5 ZP	6
17	51225	MOUNT-TARP 8R	2
18	58961	APRON-RUBBER	8
19	58184	TUBE-OUTER APRON MOUNT 8R	2
20	57721	TUBE-INNER APRON 6R/8R	1
21	59101	SPRING PIN .38" X 3.00"	3
22	56257	GUARD-REAR SCRUB LH	1
23	56258	GUARD-REAR SCRUB RH	1
24	56754	PIPE-THREADED	1
25	56256	LINK-GUARD	2
26	1032275	BOLT-HEX: .63 X 1.00 NC GR5 ZP	6
27	1011813	WASHER-LOCK: .63 ZP	2
28	1013024	WASHER-FLAT: .63 ZP	4
29	1011608	BOLT-HEX: .50 X 1.75 NC GR5 ZP	8
30	62378	WLDMT - DEFLECTOR	7
31	65658	U-BOLT: .50 X 3 X 2.06 X 3	14
32	1016595	NUT-TOPLOCK: .63 NC GR5 ZP	4
33	51331	ANGLE	2
34	51680	DEFLECTOR-RUBBER	2
35	1011974	RIVET-POP: .19 X .53 ZP	24
36	63501	PLATE-COVER	2
37	1011602	BOLT-HEX: .38 X 1.50 NC GR5 ZP	4

CONTINUED



GUARDS AND SHIELDS (CONTINUED)

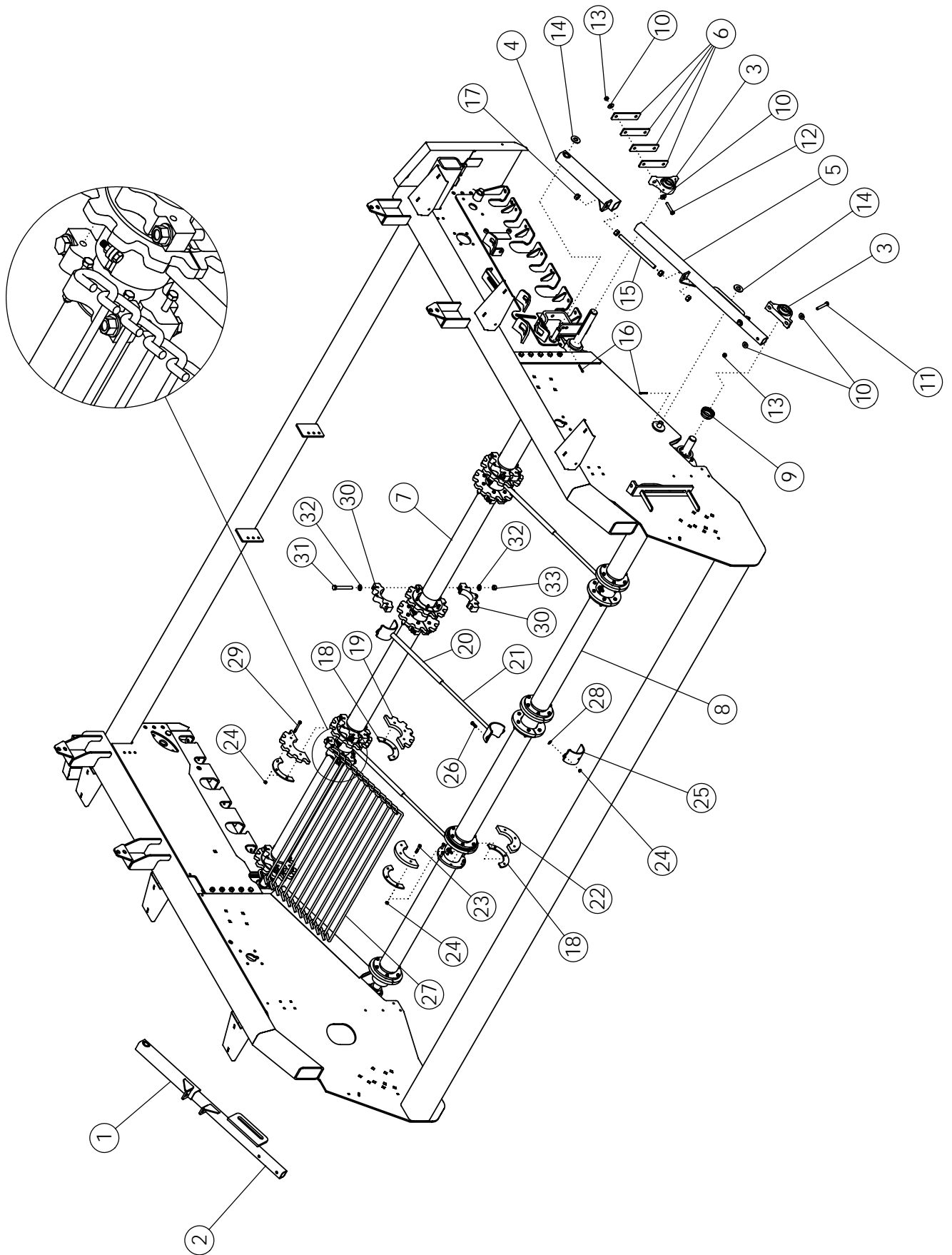
ITEM	PART NO.	DESCRIPTION	QTY
38	52341	DECAL-WARNING	5
39	52336	DECAL-CAUTION	1
40	53740	DECAL-DANGER	1
41	69265	ASSY-LH DOOR	1
42	69350	ASSY-RH DOOR	1



APRON SHAFT - BELTED CHAIN

ITEM	PART NO.		QTY
1	56693	WLDMT-ARM RH	1
2	56698	WLDMT-SLIDE RH	1
3	52405	BEARING-PILLOW 1.75	4
4	56692	WLDMT-ARMLH	1
5	56697	WLDMT-SLIDE LH	1
6	56672	SHIM-BEARING ZP	AR
7	58325	WLDMT-TOP APRON SHAFT	1
8	58326	WLDMT-BOTTOM APRON SHAFT	1
9	52382	SEAL PROTECTOR 1.75	2
10	1014443	WASHER-FLAT: .50 ZP	16
11	1029104	BOLT-HEX: .50 X 3.75 NC GR5 ZP	4
12	1011611	BOLT-HEX: .50 X 3.00 NC GR5 ZP	4
13	1027461	NUT-TOPLOCK: .50 NC GR5 ZP	8
14	1020685	WASHER-FLAT: 1.00 ZP	4
15	56718	ROD-THREADED ZP	2
16	1016944	PIN-COTTER: .25 X 2.00 ZP	4
17	1011620	NUT-HEX: .75 NC GR2 ZP	8
18	63361	SPROCKET-SPLIT COUNTERBORE (PAIR)	8
19	64162	WLDMT-UPPER FILLER	3
20	64161	WLDMT-LOWER FILLER	3
21	1011603	BOLT-HEX: .38 X 1.75 NC GR5 ZP	96
22	1016999	NUT-TOPLOCK: .38 NC GR5 ZP	108
23	64159	CLAMP-FILLER PAINTED	6
24	64991	BOLT-HEX: .38 X 1.25 NC GR8 ZP	12
25	59560	BELT 1/2 X 42 X 56MM 48LPR	4
26	1011828	WASHER-FLAT: .38 ZP	12
27	69255	SPROCKET-SPLIT 56MM 12T APRON	8
28	1019828	BOLT-HEX: .38 X 2.75 NC GR5 ZP	48
29	69245*	CLAMP-APRON	16
30	69246*	BOLT-HEX: .63 X 4.75NC GR8 ZP	16
31	66498*	WASHER-FLAT: SAE .63 GR8 ZP	32
32	66500*	NUT-HEX: .63NC GR8 ZP	16

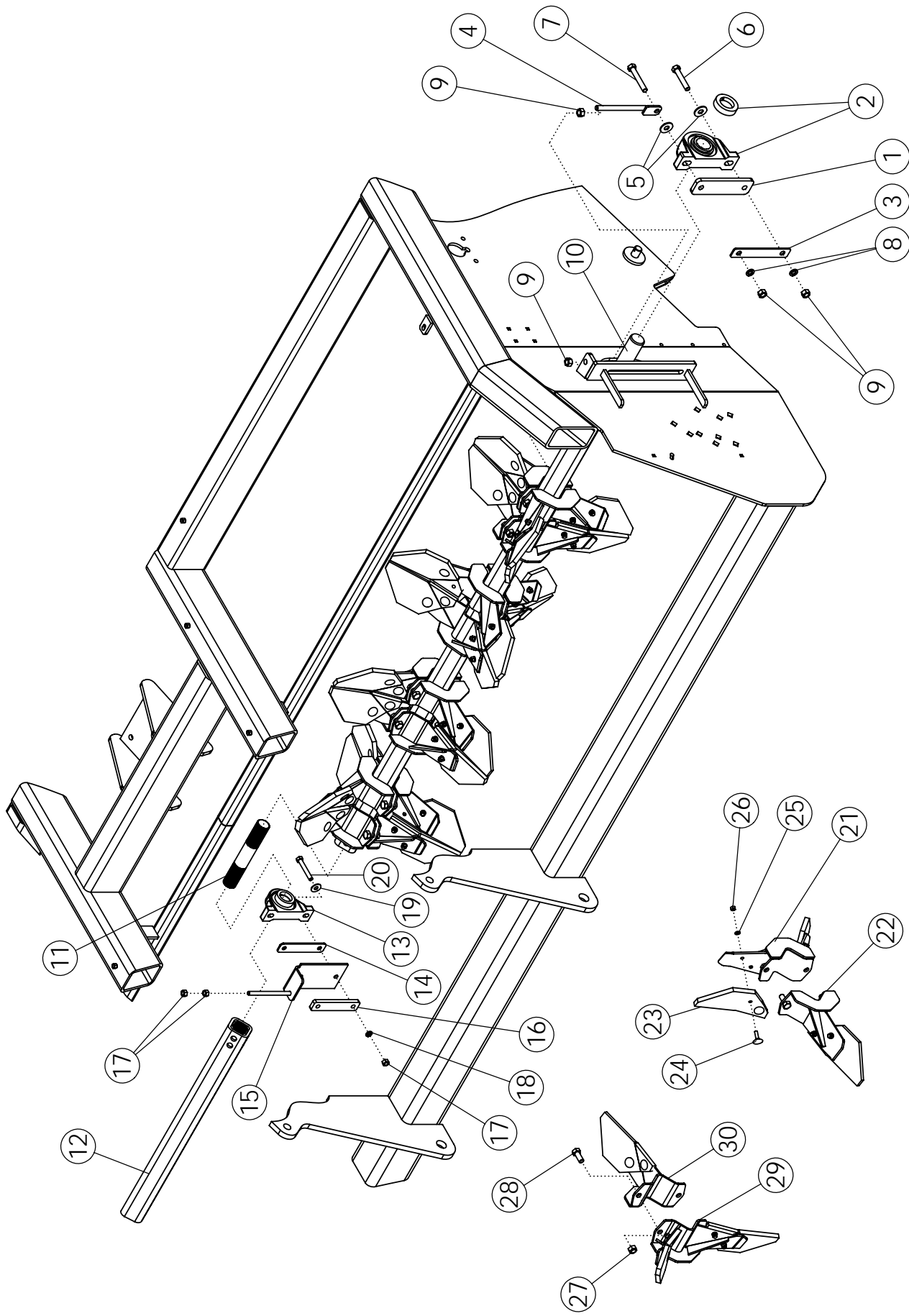
*INCLUDED IN ITEM 7



APRON SHAFT - HOOK CHAIN

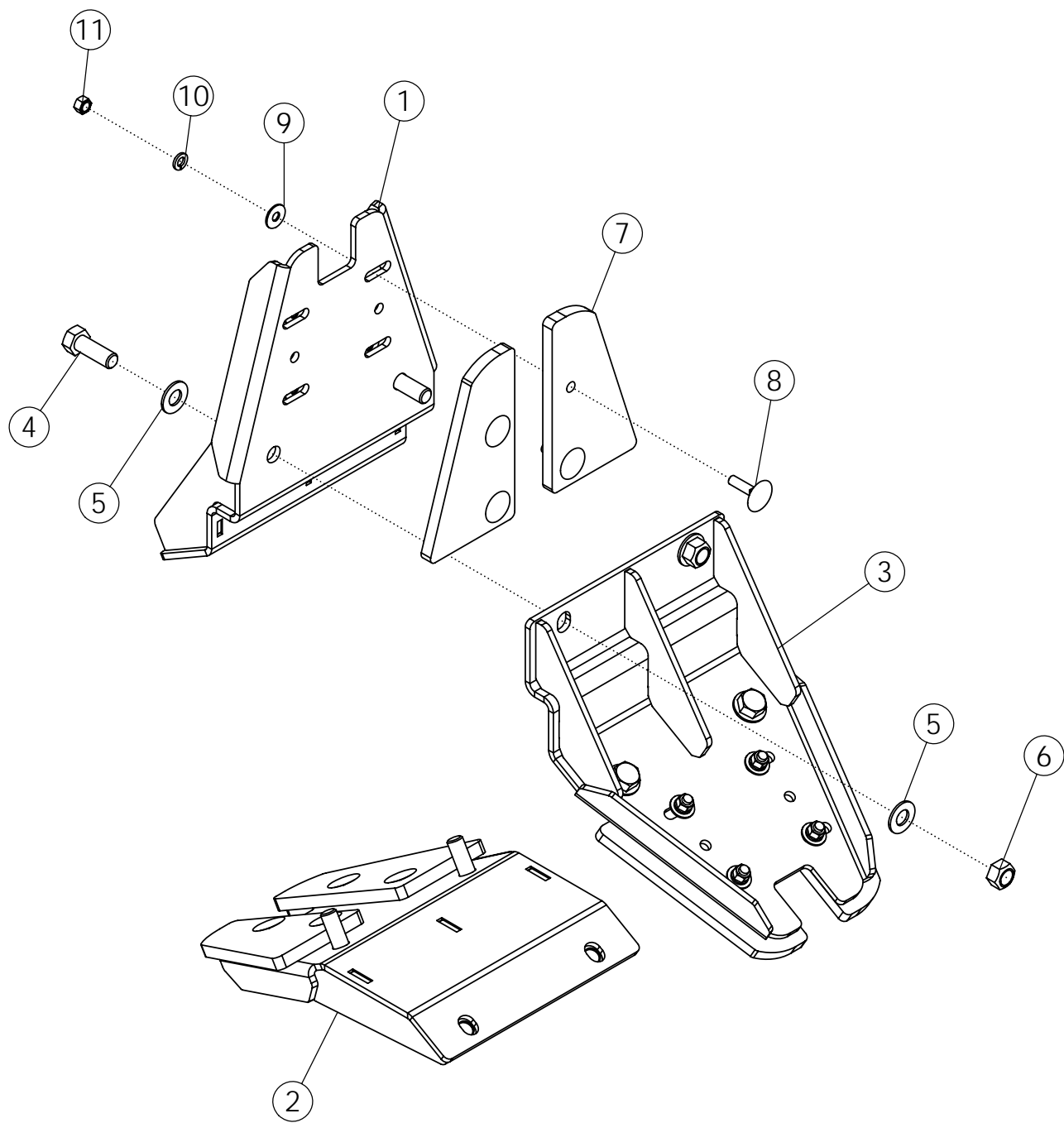
ITEM	PART NO.		QTY
1	56693	WLDMT-ARM RH	1
2	56698	WLDMT-SLIDE RH	1
3	52405	BEARING-PILLOW 1.75	4
4	56692	WLDMT-ARM LH	1
5	56697	WLDMT-SLIDE LH	1
6	56672	SHIM-BEARING ZP	AR
7	58325	WLDMT-TOP APRON SHAFT	1
8	58326	WLDMT-BOTTOM APRON SHAFT	1
9	52382	SEAL PROTECTOR 1.75	2
10	1014443	WASHER-FLAT: .50 ZP	16
11	1029104	BOLT-HEX: .50 X 3.75 NC GR5 ZP	4
12	1011611	BOLT-HEX: .50 X 3.00 NC GR5 ZP	4
13	1027461	NUT-TOPLOCK: .50 NC GR5 ZP	8
14	1020685	WASHER-FLAT: 1.00 ZP	4
15	56718	ROD-THREADED ZP	2
16	1016944	PIN-COTTER: .25 X 2.00 ZP	4
17	1011620	NUT-HEX: .75 NC GR2 ZP	8
18	62836	HALF DISC-SPACER ZP (1/2" CHAIN ONLY)	32
19	58318	SPROCKET-HALF 2.38 ZP	16
	64154	SPROCKET-HALF 2.38 ZP (ROCK)	
20	64162	WLDMT-UPPER FILLER	3
21	64161	WLDMT-LOWER FILLER	3
22	58322	HALF-DISC	16
23	1013239	BOLT-HEX: .38 X 3.00 NC GR5 ZP (1/2" CHAIN ONLY)	48
	1019828	BOLT-HEX: .38 X 2.75 NC GR5 ZP	
24	1016999	NUT-TOPLOCK: .38 NC GR5 ZP	108
25	64159	CLAMP-FILLER PAINTED	6
26	64991	BOLT-HEX: .38 X 1.25 NC GR8 ZP	12
27	53844	CHAIN 1/2 X 42 X 2.38	8
	53846	CHAIN 5/8 X 42 X 2.38	
28	1011828	WASHER-FLAT: .38 ZP	12
29	1011725	BOLT-HEX: .38 X 2.00 NC GR5 ZP (1/2" CHAIN ONLY)	48
	1011603	BOLT-HEX: .38 X 1.75 NC GR5 ZP	
30	69245*	CLAMP-APRON	12
31	69246*	BOLT-HEX: .63 X 4.75NC GR8 ZP	12
32	66498*	WASHER-FLAT: SAE .63 YZP GR8	24
33	66500*	NUT-HEX: .63NC GR8 ZP	12

*INCLUDED IN ITEM 7



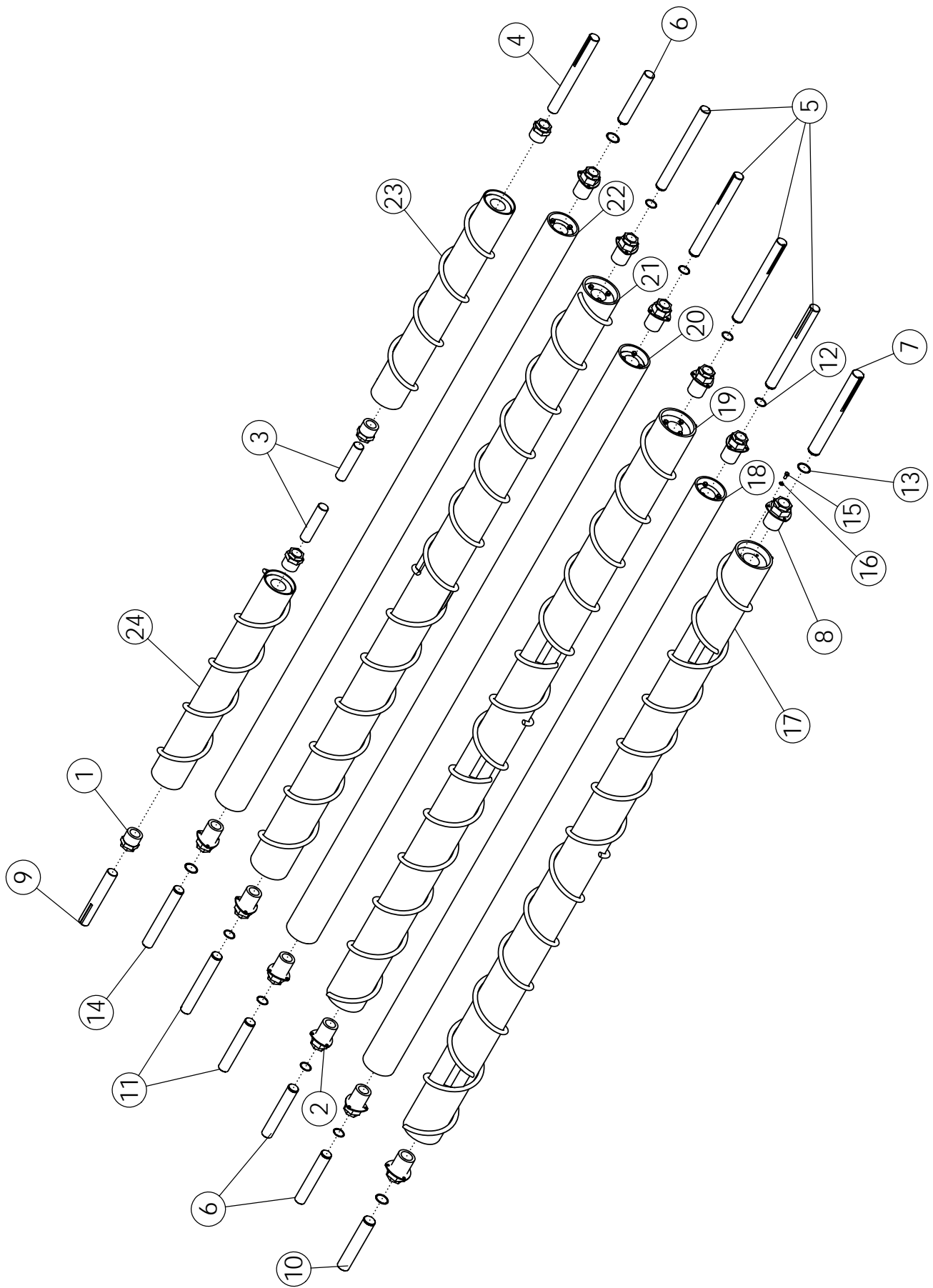
PADDLE SHAFT

ITEM	PART NO.	DESCRIPTION	QTY
1	57996	SHIM-BEARING ZP	2
2	57997	BEARING-PILLOW 2"	2
3	57998	PLATE-BACKING ZP	2
4	51365	TIGHTENER BOLT	2
5	1013024	WASHER-FLAT: .63 ZP	4
6	1014000	BOLT-HEX: .63 X 3.50 NC GR5 ZP	2
7	1016726	BOLT-HEX: .63 X 4.00 NC GR5 ZP	2
8	1011813	WASHER-LOCK: .63 ZP	4
9	1011578	NUT-HEX: .63 NC GR2 ZP	8
10	58027	WLDMT-PADDLE SHAFT LH	1
11	57196	SHAFT-SPLINED 8R	1
12	58028	WLDMT-PADDLE SHAFT RH	1
13	52405	BEARING-PILLOW 1-3/4"	1
14	50564	PLATE	1
15	56737	WLDMT-ROD ZP	1
16	50305	SPACER-BEARING	1
17	1011577	NUT-HEX: .50 NC GR2 ZP	4
18	1011581	WASHER-LOCK: .50 ZP	2
19	1014443	WASHER-FLAT: .50 ZP	2
20	1011612	BOLT-HEX: .50 X 3.50 GR5 ZP	2
21	50719	WLDMT - PADDLE DOUBLE LH	8
22	50720	WLDMT - PADDLE SINGLE LH	8
23	51562	PADDLE-RUBBER	48
24	1030779	BOLT-ELEVATOR: .38 X 1.50 NC ZP	96
25	1011586	WASHER-LOCK: .38 ZP	96
26	1011576	NUT-HEX: .38 NC GR2 ZP	96
27	1016595	NUT-TOPLOCK: .63 NC GR5 ZP	32
28	1014349	BOLT-HEX: .63 X 1.50 NC GR5 ZP	32
29	50722	WLDMT - PADDLE DOUBLE RH	8
30	50721	WLDMT - PADDLE SINGLE RH	8



PLASTIC PADDLE ASSEMBLY (OPTIONAL)

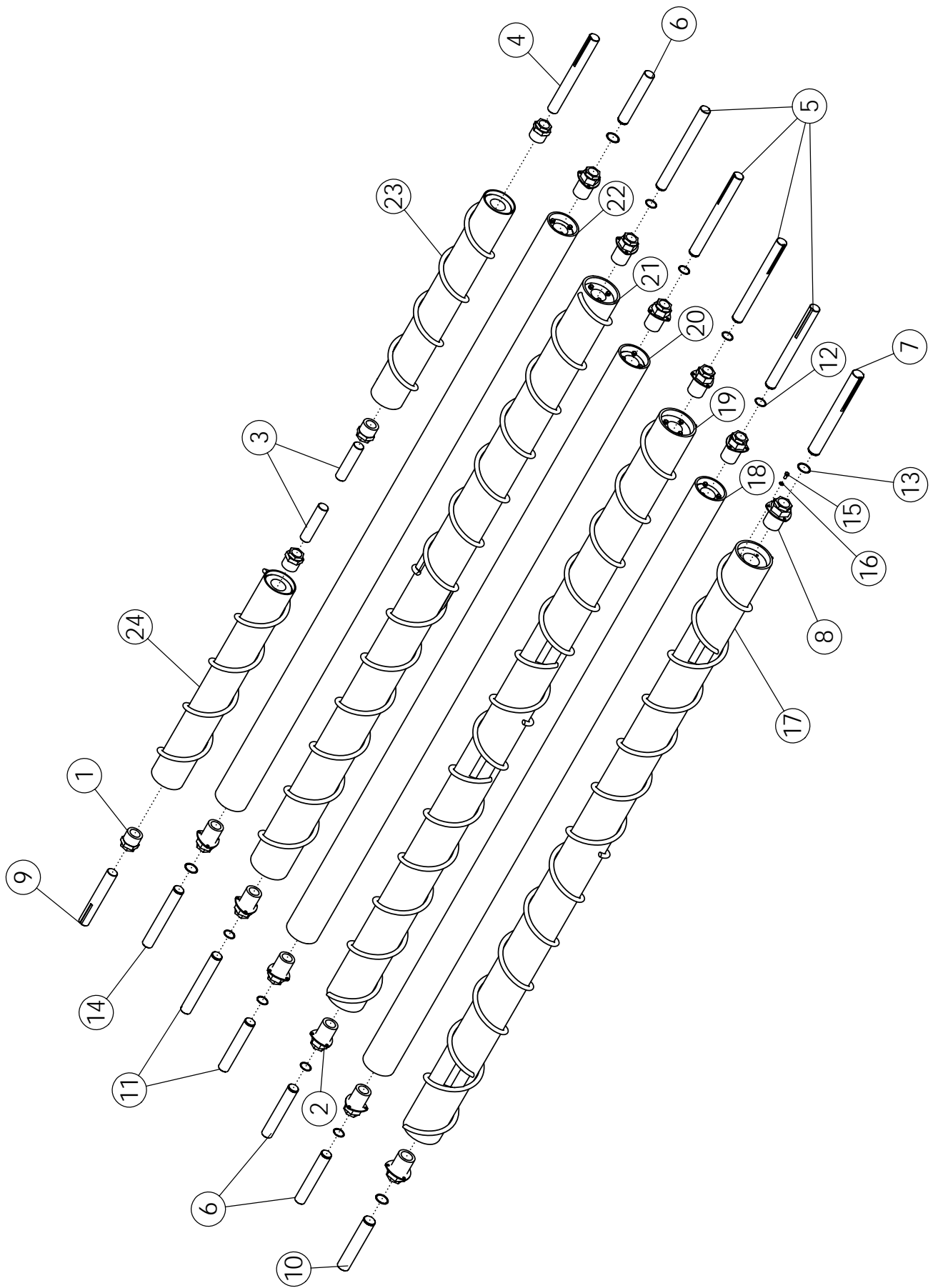
ITEM	PART NO.	DESCRIPTION	QTY
1	69639	WLDMT-PADDLE 1	1
2	69642	WLDMT-PADDLE 2	1
3	69645	WLDMT-PADDLE 3	1
4	1013918	BOLT-HEX .63 X 1.750 NC GR5 ZP	6
5	1013004	WASHER-FLAT: SAE .63 ZP	12
6	1016595	NUT-TOPLOCK: .63 NC GR5 ZP	6
7	69398	PADDLE-PLASTIC	6
8	1030779	BOLT-ELEVATOR:.38 X 1.50 NC ZP	12
9	1011828	WASHER-FLAT .38 ZP	12
10	1011586	WASHER-LOCK: .38 ZP	12
11	1011576	NUT-HEX: .38 NC GR2 ZP	12



CLEANING ROLLS

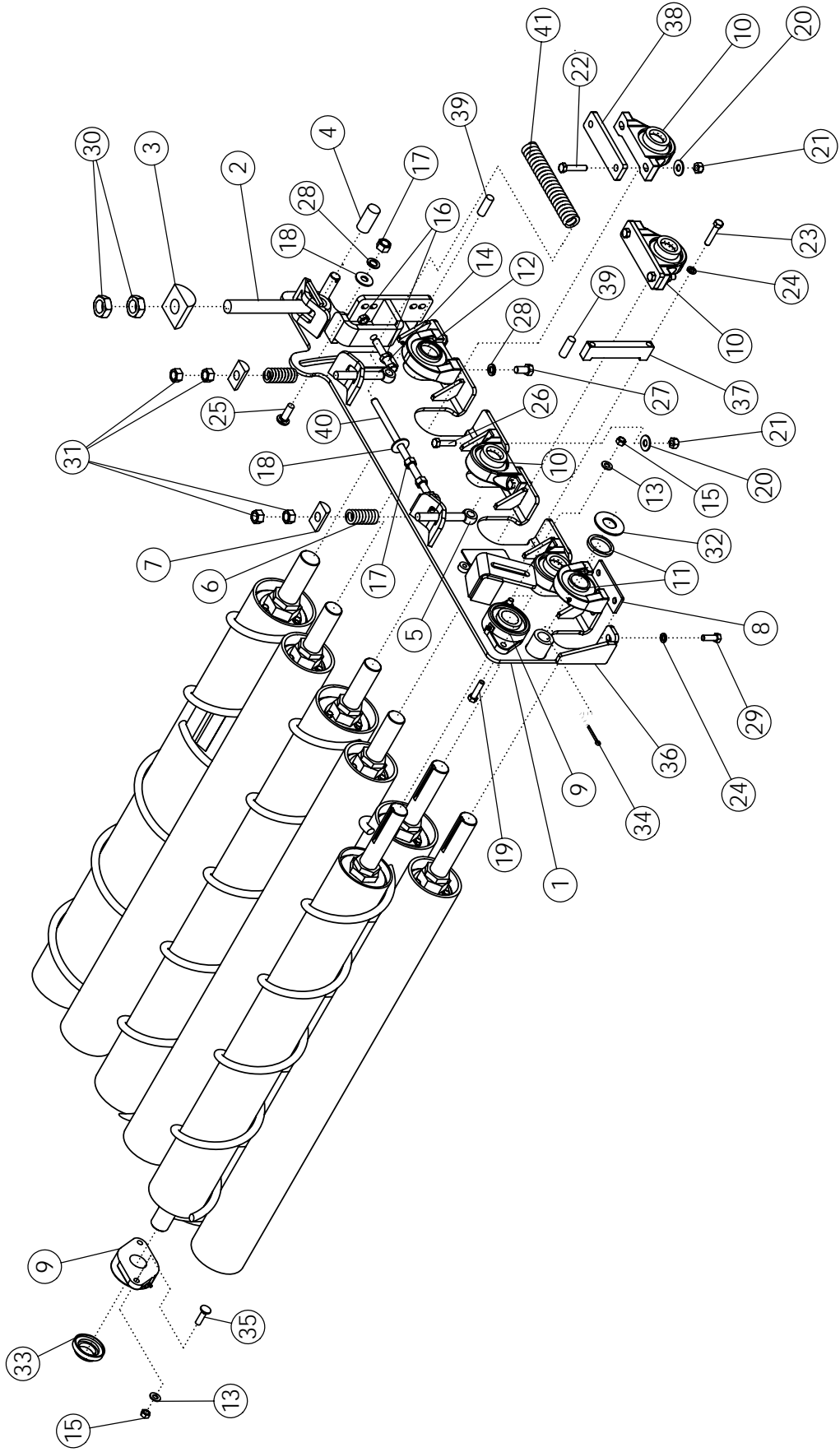
ITEM	PART NO.	DESCRIPTION	QTY
<u>PARTS COMMON TO ALL ROLLS</u>			
1	58459	HUB-TRANTORQUE 1.75	4
2	64163	HUB-TRANTORQUE 1.75 X 3.38	10
3	59471	SHAFT-STUB-#7 ROLL-RH, LH-IDLER	2
4	58759	SHAFT-#7 LH ROLL-DRIVE END	1
5	64177	SHAFT-DRIVE #2,3,4,5	4
6	64179	SHAFT-IDLER #2,3,4,6	3
7	64181	SHAFT-#1 DRIVE END	1
8	64165	HUB-TRANTORQUE 2.00 X 3.38	2
9	58761	SHAFT-#7 RH ROLL-DRIVE END	1
10	64182	SHAFT-#1 IDLER END	1
11	64180	SHAFT-REVERSE #4 RH	2
12	64184	RING-RETAINING 1.75	10
13	64185	RING-RETAINING 2.00	2
14	64178	SHAFT-#5,6	1
15	1011599	BOLT-HEX: .38 X .75 NC GR5 ZP	36
16	1011586	WASHER-LOCK: .38 ZP	36
<u>NUMBER ONE ROLL (COMPLETE)</u>			
17	58999	ROLL-SPIRAL-STANDARD	1
	59011	ROLL-SPIRAL-POLY COATED	
	58966	ROLL-SPIRAL-HARDENED	
<u>NUMBER TWO ROLL (COMPLETE)</u>			
18	58969	ROLL-5.5" SMOOTH-STANDARD	1
	59016	ROLL-5" SMOOTH-POLY COATED	
<u>NUMBER THREE ROLL (COMPLETE)</u>			
19	59000	ROLL-SPIRAL-STANDARD	1
	59013	ROLL-SPIRAL-POLY COATED	
	58977	ROLL-SPIRAL-HARDENED	

CONTINUED



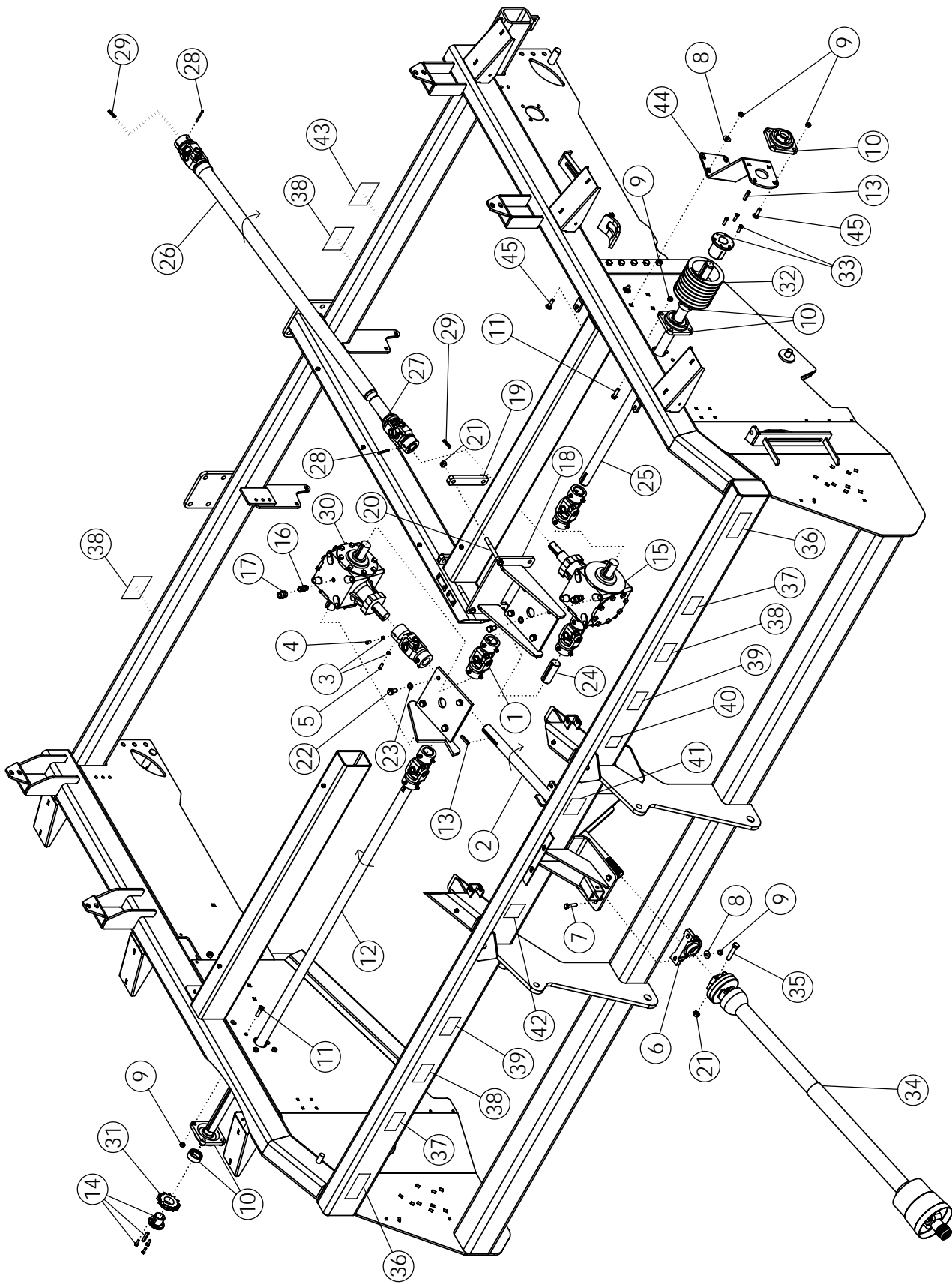
CLEANING ROLLS (CONTINUED)

ITEM	PART NO.	DESCRIPTION	QTY
<u>NUMBER FOUR ROLL (COMPLETE)</u>			
20	62764	ROLL-5.5" SMOOTH-STANDARD	1
	62765	ROLL-5" SMOOTH-POLY COATED	
<u>NUMBER FIVE ROLL (COMPLETE)</u>			
21	59001	ROLL-SPIRAL-STANDARD	1
	59015	ROLL-SPIRAL-POLY COATED	
	58992	ROLL-SPIRAL-HARDENED	
<u>NUMBER SIX ROLL (COMPLETE)</u>			
22	58989	ROLL-5.5" SMOOTH-STANDARD	1
	59017	ROLL-SPIRAL-POLY COATED	
<u>NUMBER SEVEN ROLL - - LEFT HAND (COMPLETE)</u>			
23	62193	ROLL-SPIRAL-POLY	1
	59535	ROLL-SPIRAL	
<u>NUMBER SEVEN ROLL - - RIGHT HAND (COMPLETE)</u>			
24	62195	ROLL-SPIRAL-POLY	1
	59536	ROLL-SPIRAL	



CLEANING ROLL MOUNTING PACKAGE

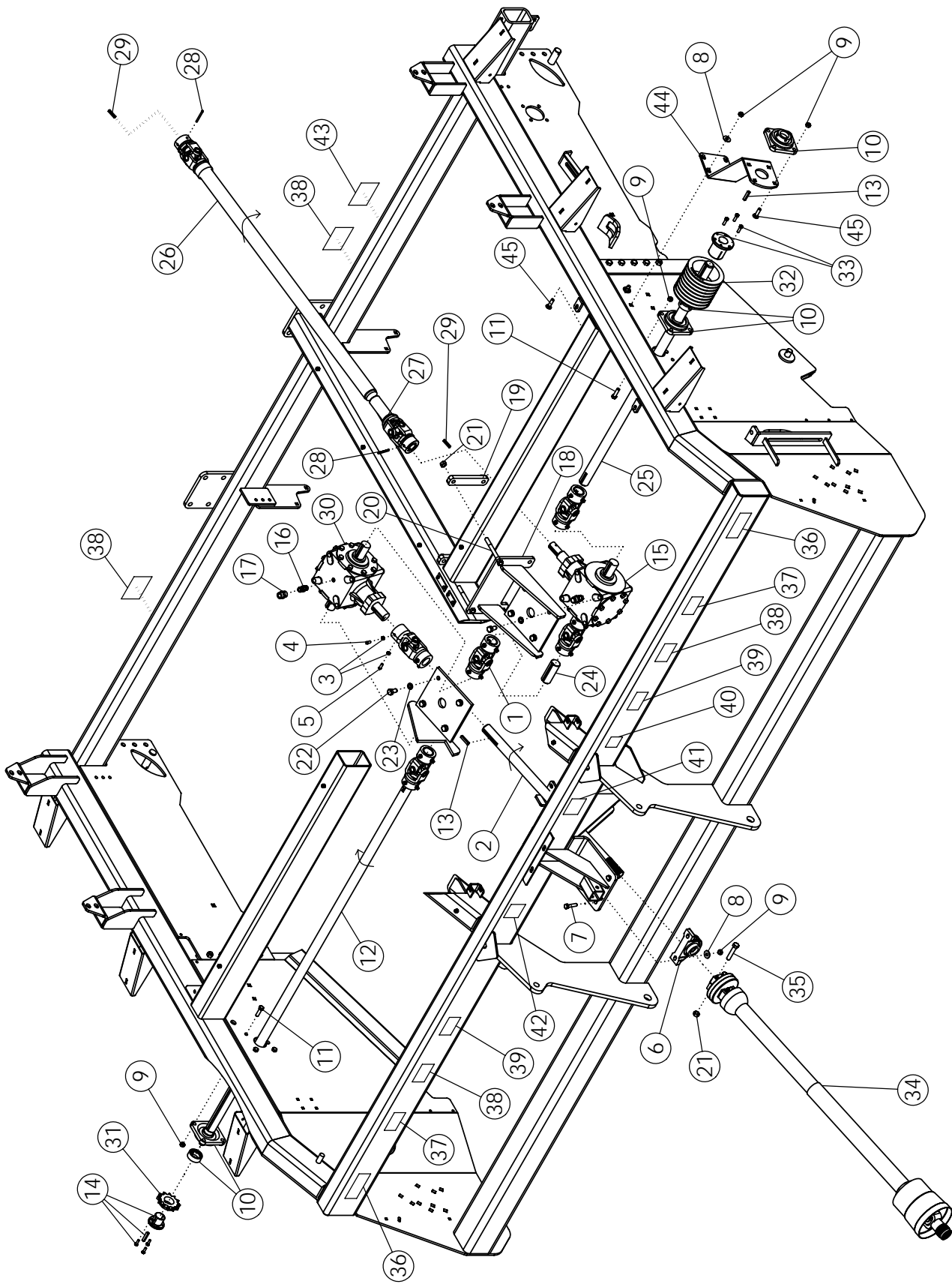
ITEM	PART NO.	DESCRIPTION	QTY
1	58907	WLDMT-MOUNT RH	1
	58906	WLDMT-MOUNT LH (NOT SHOWN)	1
2	56813	BOLT-EYEBOLT: 1.25 X 10.5 ZP	2
3	56679	HALF ROUND 3.0" ZP	2
4	56676	ROD ZP	2
5	56814	BOLT-EYEBOLT: .75 X 6.00 ZP	4
6	57877	SPRING 3.00" (RIGHT SIDE ONLY)	2
7	56680	HALF ROUND 1.50" ZP	4
8	57992	SHIM-BEARING	2
9	62134	BEARING-FLANGE 1-3/4"	4
10	52405	BEARING-PILLOW 1-3/4"	8
	64466	PILLOW BLOCK BEARING 1-3/4" STL (ROCK ONLY)	
11	62135	BEARING 1.750 TAPPED BASE	2
12	62136	BEARING 2.000 TAPPED BASE	2
13	1011584	WASHER-FLAT: SAE .50 ZP	4
14	1032273	BOLT-TAP: .63 X 3.50 NC GR5 ZP	2
15	1027461	NUT-TOPLOCK: .50 NC GR5 ZP	8
16	1026259	NUT-JAM: .63 NC GR2 ZP	4
17	1011578	NUT-HEX: .63 NC GR2 ZP	8
18	1013024	WASHER-FLAT: .63 ZP	4
19	1011609	BOLT-HEX: .50 X 2.00 NC GR5 ZP	4
20	59104	WASHER-FLAT: .56 GR8 ZP	16
21	59105	NUT-TOPLOCK: .56 NC GR8 ZP	16
22	59103	BOLT-HEX: .56 X 2.50 NC GR8 ZP	8
23	1011610	BOLT-HEX: .50 X 2.50 NC GR5 ZP	4
24	1011581	WASHER-LOCK: .50 ZP	8
25	58635	BOLT-CRG: .63 X 2.00 NC GR5 ZP	2
26	59102	BOLT-HEX: .56 X 2.00 NC GR8 ZP	8
27	1032509	BOLT-HEX: .63 X 1.25 NC GR5 ZP	4
28	1011813	WASHER-LOCK: .63 ZP	6
29	1011607	BOLT-HEX: .50 X 1.50 NC GR5 ZP	4
30	62511	NUT-JAM: 1.25 NC GR2 ZP	4
31	1011620	NUT-HEX: .75 NC GR2 ZP	8
32	1013431	WASHER-FLAT: 1.25 ZP	2
33	52383	LOCK PROTECTOR 1-3/4"	2
34	1016727	PIN-COTTER: .25 X 2.50 NP	2
35	59517	BOLT-CRG: .50 X 1.75 NC GR5 ZP	4
36	56682	WLDMT-SLIDE MOUNT RH	1
	56681	WLDMT-SLIDE MOUNT LH (NOT SHOWN)	1
37	56677	WLDMT-HOLDER	2
38	57792	SHIM-BEARING	4
39	56675	ROD ZP	4
40	56815	WLDMT-BOLT & NUT ZP	2
41	57878	SPRING 10"	2



MAIN DRIVE

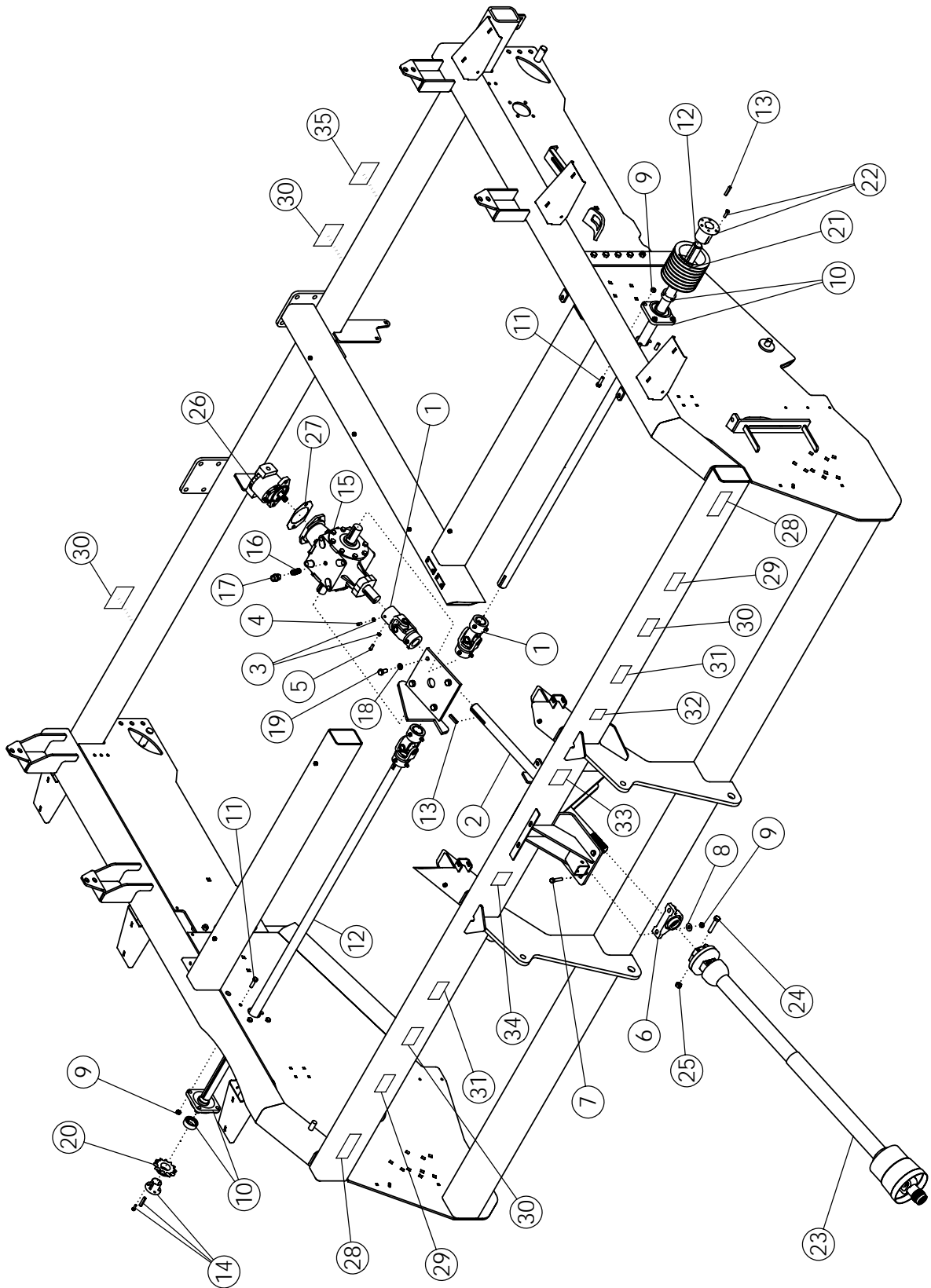
ITEM	PART NO.	DESCRIPTION	QTY
1	53642	U-JOINT	5
2	56775	SPLINE SHAFT	1
3	1013519	NUT-JAM: .38 NC GR2 ZP	20
4	1030708	SCREW-SET: C-P .38 X 0.75 NC GR8	10
5	1030709	SCREW-SET: C-P .38 X 1.00 NC GR8	10
6	52405	BEARING-PILLOW 1.75	1
7	1017708	BOLT-HEX: .50 X 2.25 NC GR5 ZP	2
8	1014443	WASHER-FLAT: .50 ZP	6
9	1027461	NUT-TOPLOCK: .50 NC GR5 ZP	18
10	52404	BEARING-FLANGE 1.75	2
11	1011608	BOLT-HEX: .50 X 1.75 NC GR5 ZP	8
12	56759	SHAFT-DRIVE 8R	1
13	50152	KEY .38 X .38 X 2.00	11
14	53641	HUB P1 1.75 (WITH KEY)	1
15	63847	GEARBOX-PRAIRIE (1.35:1) BLACK	1
16	69128	FTG-ADAPTER: 8MP-8MP 4" LONG	2
17	55730	FTG-ADAPTER: 8FP-8FP	2
18	62204	WLDMT - MOUNT GEARBOX	1
19	62544	BAR - BOLTING	2
20	1032504	BOLT-HEX: .63 X 6.00 NC GR8 ZP	4
21	1016595	NUT-TOPLOCK: .63 NC GR5 ZP	6
22	1032509	BOLT-HEX: .63 X 1.25 NC GR5 ZP	8
23	1011813	WASHER-LOCK: .63 ZP	8
24	57934	SHAFT-DRIVE LH SHORT	1
25	58336	SHAFT-DRIVE LH LONG	1
26	57924	SHAFT-DRIVE: 72.50	1
27	57925	COUPLER-DRIVE BLACK	1
28	58489	PIN-ROLL: .25 X 2.75 NP	2
29	58396	KEY .31 X .31 X 1.75	2
30	63846	GEARBOX-PRAIRIE (1.81:1) BLACK	1
31	62034	SPROCKET H80-P12	1
32	57680	SHEAVE 8B62Q	1
	57681	SHEAVE 8B68Q	
	57679	SHEAVE 8B56Q	
33	55123	HUB Q2 1.75	1
34	51481	PTO-CV 1.75" WEASLER (HRV)	1
	51480	PTO-CV 1.38" WEASLER (HRV)	
35	1030704	BOLT-HEX: .63 X 3.25 NC GR5 ZP	2
36	64617	DECAL-DANGER	2
37	52334	DECAL-WARNING	2
38	52338	DECAL-DANGER	4

CONTINUED



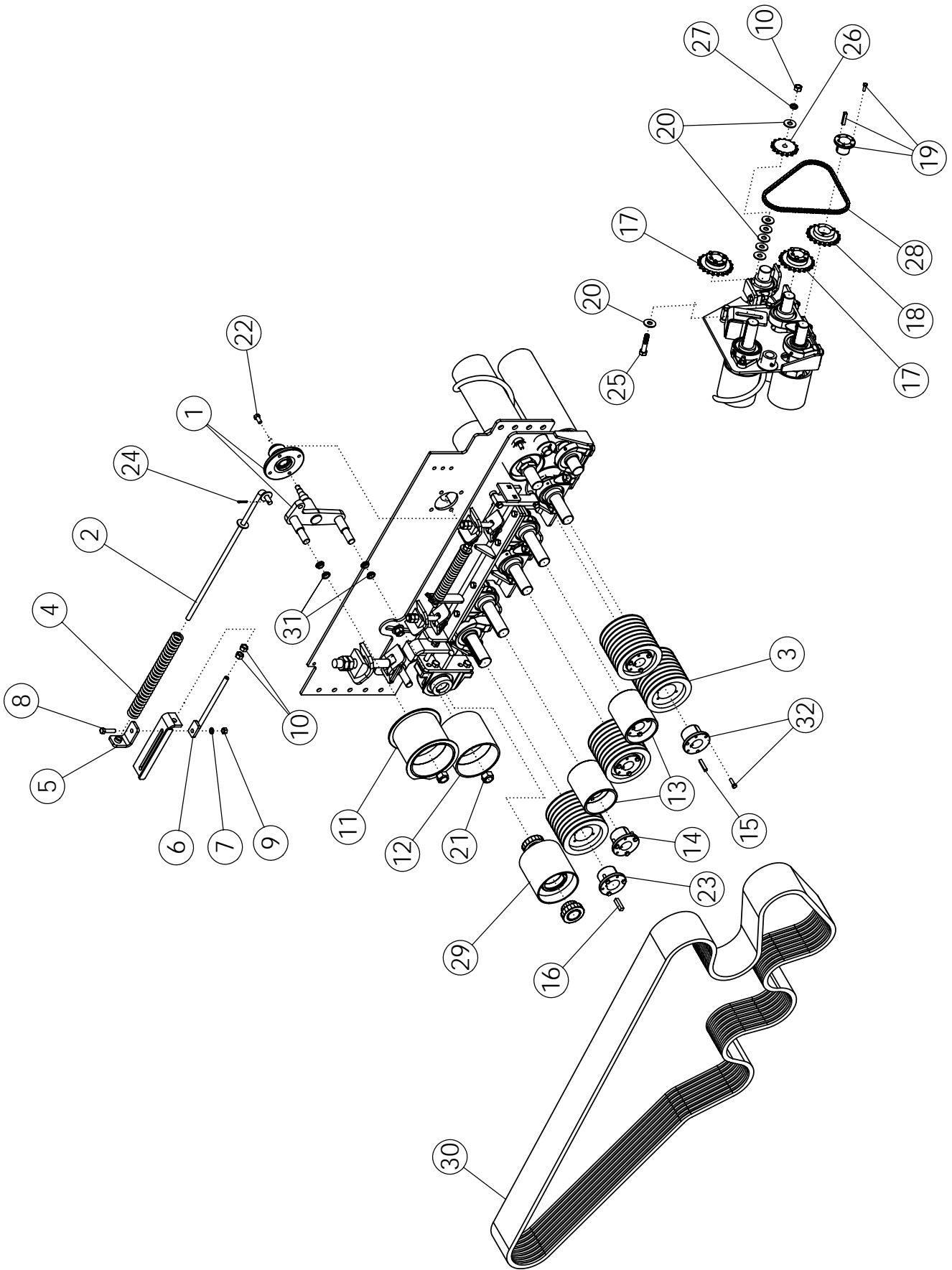
MAIN DRIVE (CONTINUED)

ITEM	PART NO.	DESCRIPTION	QTY
39	52329	DECAL-DANGER	2
40	64616	DECAL-ENGAGE PTO	1
41	62964	DECAL-WARNING	1
42	53747	DECAL-DANGER	1
43	59614	DECAL-CAUTION	1
44	68111	BRACKET-BRACE BEARING	1
45	59517	BOLT-CRG: .50 X 1.75 NC GR5 ZP	8



MAIN DRIVE: ONBOARD OPTION

ITEM	PART NO.	DESCRIPTION	QTY
1	53642	U-JOINT	3
2	56775	SPLINE SHAFT	1
3	1013519	NUT-JAM: .38 NC GR2 ZP	12
4	1030708	SCREW-SET: C-P .38 X .75 NC GR8	6
5	1030709	SCREW-SET: C-P .38 X 1.00 NC GR8	6
6	52405	BEARING-PILLOW 1.75	1
7	1017708	BOLT-HEX: .50 X 2.25 NC GR5 ZP	2
8	1014443	WASHER-FLAT: .50 ZP	2
9	1027461	NUT-TOPLOCK: .50 NC GR5 ZP	10
10	52404	BEARING-FLANGE 1.75	2
11	1011608	BOLT-HEX: .50 X 1.75 NC GR5 ZP	8
12	56759	SHAFT-DRIVE 8R	2
13	50152	KEY .38 X .38 X 2.00	7
14	53641	HUB P1 1.75 (WITH KEY)	1
15	62396	GEARBOX-PRAIRIE (1.81:1) PAINTED	1
16	69128	FTG-ADAPTER: 8MP-8MP 4" LONG	1
17	55730	FTG-ADAPTER: 8FP-8FP	1
18	1011813	WASHER-LOCK: .63 ZP	4
19	1032509	BOLT-HEX: .63 X 1.25 NC GR5 ZP	4
20	62034	SPROCKET H80-P12	1
21	57680	SHEAVE 8B62Q	1
	57681	SHEAVE 8B68Q	
	57679	SHEAVE 8B56Q	
22	55123	HUB Q2 1.75	1
23	51481	PTO-CV 1.75" WEASLER (HRV)	1
	51480	PTO-CV 1.38" WEASLER (HRV)	
24	1030704	BOLT-HEX: .63 X 3.25 NC GR5 ZP	2
25	1016595	NUT-TOPLOCK: .63 NC GR5 ZP	2
26	62153	PUMP-HYDRAULIC 5.3	1
27	63702	PLATE-ADAPTER SAE 'B' PUMP	1
28	64617	DECAL-DANGER	2
29	52334	DECAL-WARNING	2
30	52338	DECAL-DANGER	4
31	52329	DECAL-DANGER	2
32	64616	DECAL-ENGAGE PTO	1
33	62964	DECAL-WARNING	1
34	53747	DECAL-DANGER	1
35	59614	DECAL-CAUTION	1



CLEANING ROLL DRIVE

ITEM	PART NO.	DESCRIPTION	QTY
1	56422	ASSY-SPINDLE & HUB	1
2	56711	ROD-PLATED	1
3	57680	SHEAVE 8B62Q	4
4	56853	SPRING	1
5	56708	HOLDER-PLATED	1
6	56707	ADJUSTMENT ROD ZP	1
7	1011581	WASHER-LOCK: .50 ZP	1
8	1011609	BOLT-HEX: .50 X 2.00 NC GR5 ZP	1
9	1011577	NUT-HEX: .50 NC GR2 ZP	1
10	1011578	NUT-HEX: .63 NC GR2 ZP	3
11	58295	WLDMT-IDLER	1
12	56425	TIGHTENER IDLER	1
13	56398	WLDMT-PULLEY 8R	2
14	50335	HUB Q1 1.75	2
15	50152	KEY .38 X .38 X 2.00	5
16	57995	KEY .50 X .50 X 2.00	1
17	53649	SPROCKET H60-P20	2
18	62106	SPROCKET H60-P19	1
19	53641	HUB P1 1.75 (WITH KEY)	3
20	1013024	WASHER-FLAT: .63 ZP	7
21	1016969	NUT-TOPLOCK: 1.00 NC GR5 ZP	2
22	1015558	BOLT-HEX: .50 X 1.00 NF GR5 ZP	4
23	58248	HUB Q2 2.00	1
24	1019827	PIN-COTTER: .19 X 1.00 NP	1
25	1011624	BOLT-HEX: .63 X 3.00 NC GR5 ZP	1
26	53651	7348-2 SPROCKET IDLER	1
27	1011813	WASHER-LOCK: .63 ZP	1
28	58165	CHAIN-ROLLER 60H-1R-052	1
29	56409	ASSY-IDLER PULLEY 8R	1
30	64474	V-BELT 8B195	1
31	50940	BUSHING	4
32	55123	HUB Q2 1.75	3

