

PARTS MANUAL

2014

2300 HARVESTER SCRUB

6 ROW 22

4 ROW 30

Amity
TECHNOLOGY



2800 7th Avenue North
Fargo, ND 58102

Phone: (701) 232-4199

Fax: (701) 234-1716

www.amitytech.com

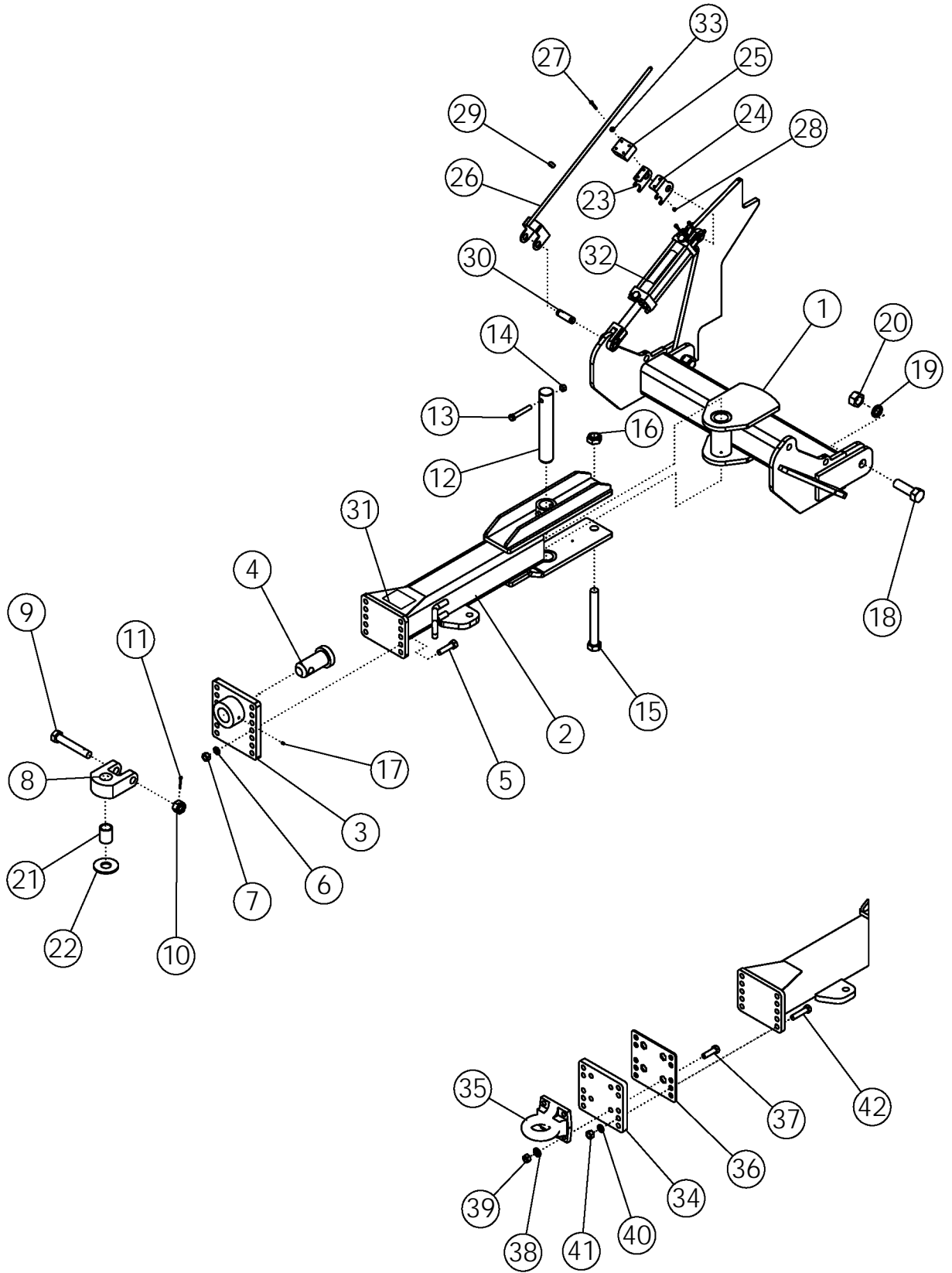


TABLE OF CONTENTS

HITCH ASSEMBLY.....	1-2
LIFTER STRUT.....	3-6
ROW FINDER.....	7-10
GUARDS & SHIELDS.....	11-14
DOOR ASSY	15-16
MAIN FRAME ASSY.....	17-18
APRON SHAFT.....	19-20
PADDLE SHAFT.....	21-22
CLEANING ROLLS.....	23-24
CLEANING ROLL MOUNTING PACKAGE.....	25-26
MAIN DRIVE.....	27-30
MAIN DRIVE: ONBOARD OPTION.....	31-34
CLEANING ROLL DRIVE.....	35-36
APRON/PADDLE SHAFT DRIVE	37-38
TANK ASSEMBLY	39-40
ELEVATOR AND BOOM ASSEMBLY.....	41-44
REAR SCRUB ASSEMBLY.....	45-48
REAR SCRUB: BELTED CHAIN.....	49-50
REAR SCRUB DRIVE: GEARBOX	51-52
REAR SCRUB DRIVE: SINGLE MOTOR.....	53-56
REAR SCRUB DRIVE: DUAL MOTOR	57-58
REAR STRUTS.....	59-60
RF & HITCH HYDRAULICS: ONBOARD OPTION.....	61-70
TANK HYDRAULICS.....	71-74
HYDRAULIC TANK.....	75-76
LIGHT KIT.....	77-78
PTO DRIVELINE #64168	79-80
PTO DRIVELINE #51481.....	81-82
PTO DRIVELINE #51480.....	83-84
DRIVELINE COMPONENTS.....	85-86
GEARBOX (1.81:1) #63846	87-88
GEARBOX (1.81:1) #62396.....	89-90
GEARBOX (1.35:1) #63847	91-92
GEARBOX (1:1.35) #63848	93-94
DUMP & RELIEF VALVE #64687	95-96



SELECTOR VALVE #58470.....	97-98
RF VALVE #62350.....	99-100
DIRECTIONAL CONTROL VALVE #63673 И #63687	101-102
SPROCKET #63813	103-104
BELT TIGHTENER #56422	103-104
SLIP-CLUTCH #57926.....	105-106
SLIP-CLUTCH/SPROCKET #57993, #58335.....	105-106
IDLER PULLEY #56406.....	107-108
SPROCKET IDLER #56851	107-108
ROLLERS.....	109-110
SCRUB DRIVELINE ASSEMBLY.....	111
BELTED LAP JOINT CONNECT.....	112
BELTED CHAIN #59180 - REPAIR KIT.....	113
RIVET CUTTER #62082 -	114

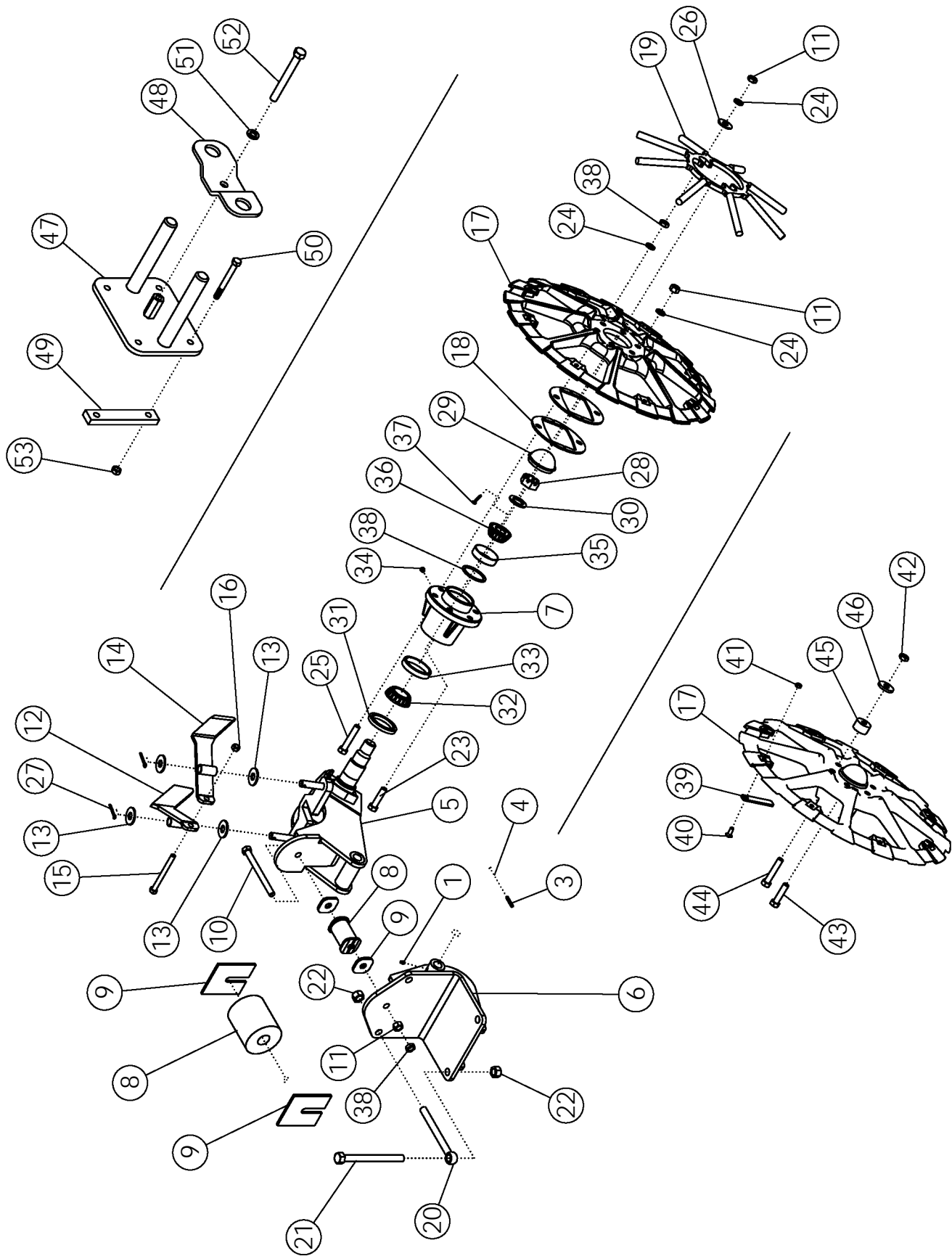


HITCH

ITEM	PART NO.	DESCRIPTION	QTY
1	63192	WLDMT-EXPORT HITCH PIVOT	1
2	63195	WLDMT - DRAWPOLE	1
3	57930	WLDMT-HITCH PLATE	1
4	62101	WLDMT-PIN	1
5	1012059	BOLT-HEX: .75 X 3.00 NC GR5 ZP	6
6	1012061	WASHER-LOCK: .75 ZP	6
7	1011620	NUT-HEX: .75 NC GR2 ZP	6
8	64476	PLATE-PULL HITCH	1
9	62477	BOLT-HITCH DRILLED	1
10	62088	NUT-SLOTTED: 1.13 NC GR5 ZP	1
11	1013473	PIN-COTTER: .19 X 2.00 ZP	1
12	50678	PIN	1
13	1015117	BOLT-HEX: .63 X 4.00 NC GR8 ZP	1
14	1016595	NUT-TOPLOCK: .63 NC GR5 ZP	1
15	1030756	BOLT-HEX: 1.25 X 10.50 NC GR5 ZP	1
16	1030759	NUT-TOPLOCK: 1.25 NC ZP	1
17	1011748	ZERK - GREASE: .25 UNF STRAIGHT	5
18	1030757	BOLT-HEX: 1.63 X 4.25 NC GR5 ZP	2
19	1030760	WASHER-LOCK: 1.38 ZP	2
20	1030758	NUT-HEX: 1.38 NC ZP	2
21	64614	SLEEVE 1.63 (OPTIONAL TO FIT TRACTOR)	1
22	58925	WASHER-HARDENED 4.000 X 1.63	1
	68645	WASHER-FLAT: 2.00 ZP GR8	
23	63995	TOP_BRACKET - RH	1
24	63996	TOP_BRACKET - LH	1
25	63383	POLY GUIDE BLOCK	1
26	63999	WLDMT - BOTTOM_BRACKET	1
27	1016211	BOLT-HEX: .25 X 2.00 NC GR5	4
28	1030946	NUT-TOPLOCK: .25 NC GR5 ZP	4
29	63359	COLLAR-SET: .56 ZP	1
30	63406	PIN-CLEVIS: 1.00 X 4.00 ZP	2
31	52248R	DECAL-CAUTION	1
32	63405	DECAL-DEPTH GAUGE	1
33	1020416	WASHER-FLAT: .25 ZP	4

PINTLE HITCH

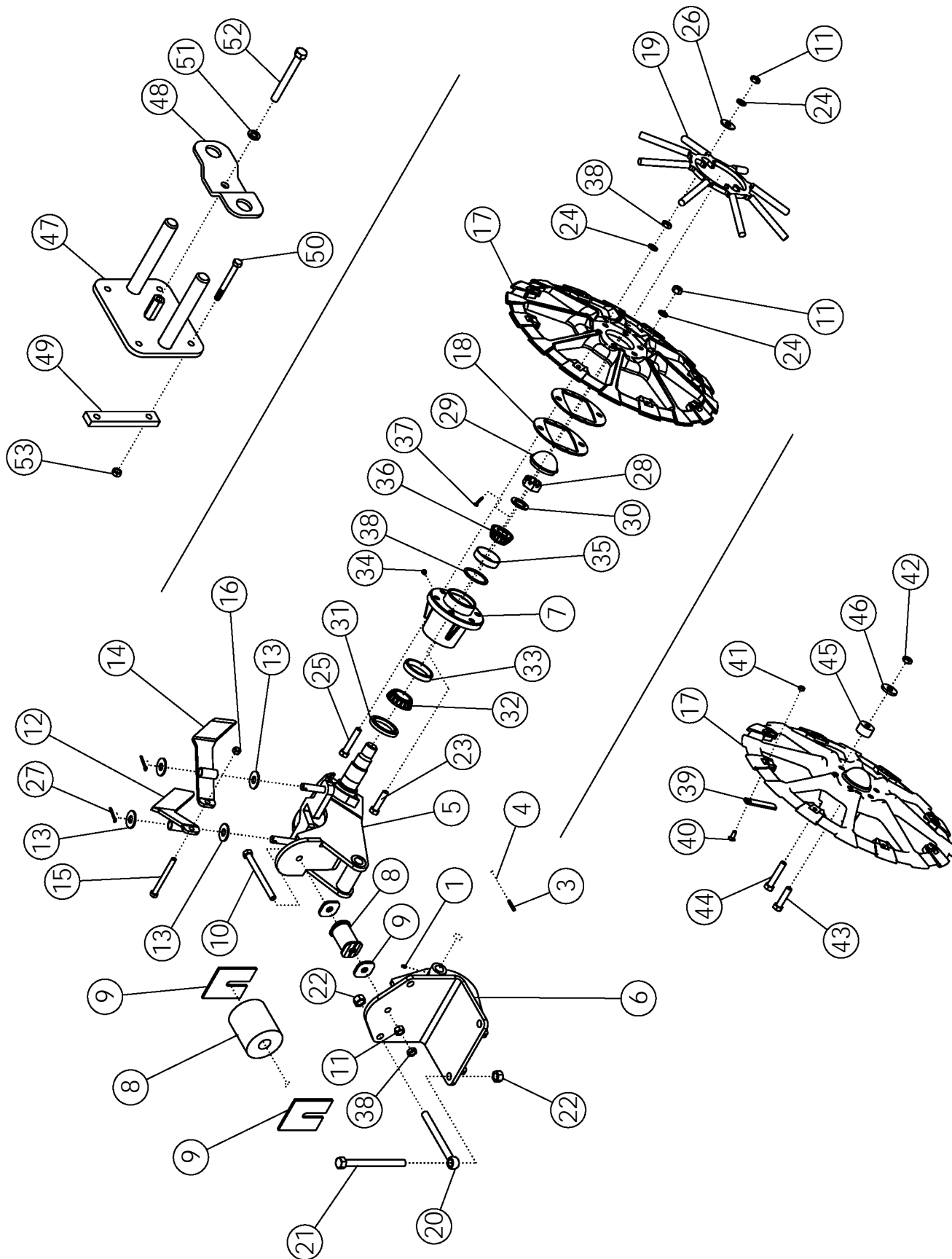
34	64201	PLATE - MOUNT	1
35	64200	HITCH-PINTLE	1
36	64254	PLATE - MOUNT	1
37	62096	BOLT-HEX: .75 X 2.50 NC GR8 ZP	4
38	1021584	WASHER-FLAT: SAE .75 ZP	4
39	1011434	NUT-TOPLOCK: .75 NC GR8 ZP	4
40	1012061	WASHER-LOCK: .75 ZP	6
41	1011620	NUT-HEX: .75 NC	6
42	1032271	BOLT-HEX: .75 X 3.25 NC GR5 ZP	6



LIFTER STRUT

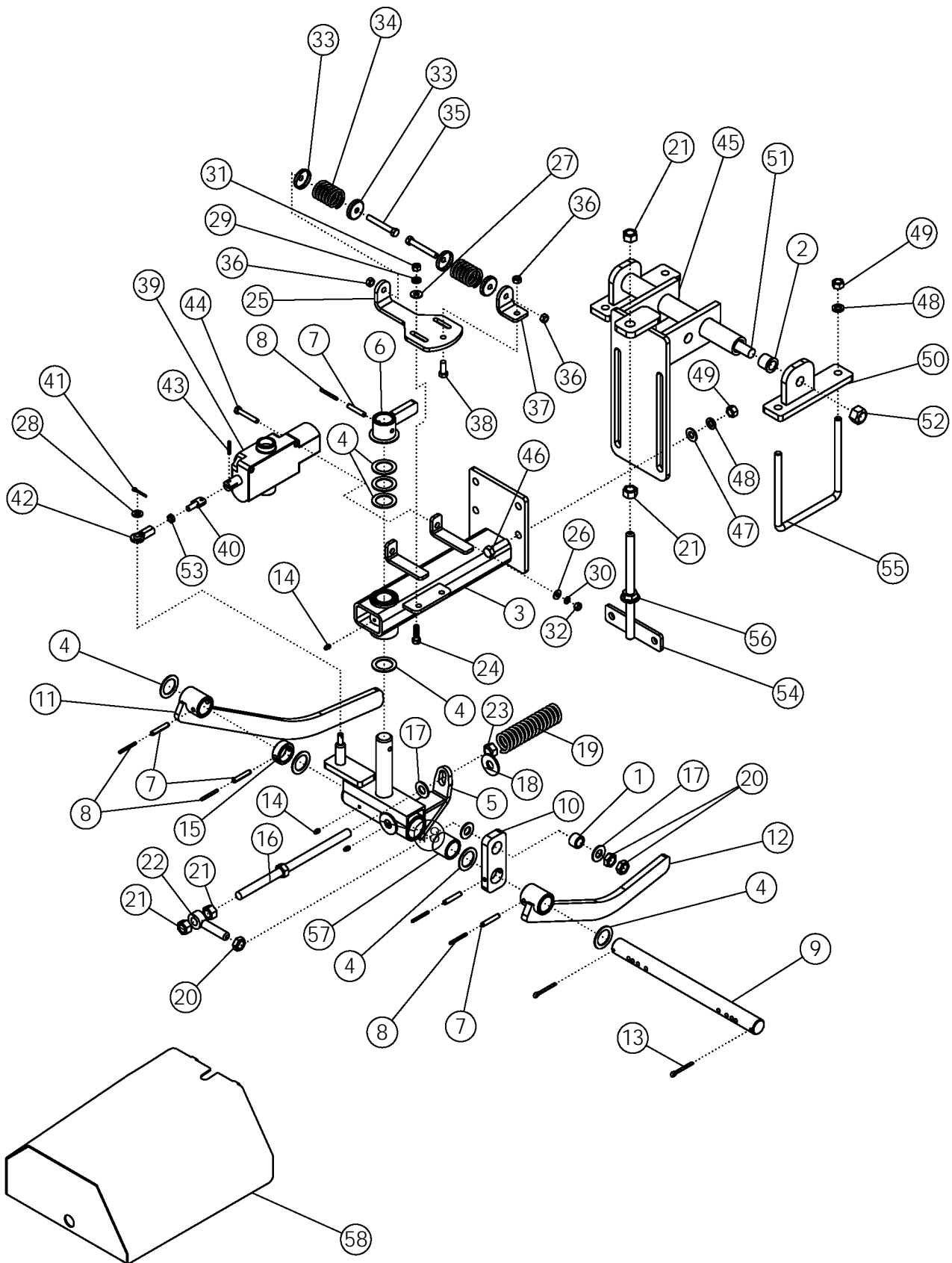
ITEM	PART NO.	DESCRIPTION	QTY
1	1011748	ZERK - GREASE: .25 UNF	2
2	1013519	NUT-JAM: .38 NC GR2 ZP	2
3	59398	PIN-ROLL: .25 X 1.50 ZP	2
4	69907	SHAFT-STRUT	1
5	50142	STRUT-SPINDLE ASSY-STD	1
6	50146	WLDMT-STRUT BRACKET	1
7	63655	HUB-MACHINED	2
8	50134	WLDMT-SPACER ZP	1
	51542	BUMPER-RUBBER	1
9	50137	WASHER SQUARE ZP	2
	50139	PLATE ZP	2
10	1030761	BOLT-HEX: .63 X 7.00 NC GR 8 ZP	1
11	1011578	NUT-HEX: .63 NC GR5 ZP	13
12	50715	WLDMT-SCRAPER RH	1
13	1030702	WASHER-FLAT: .75 ZP	4
14	50716	WLDMT-SCRAPER LH	1
15	1016660	BOLT-HEX: .50 X 5.50 NC GR5 ZP	1
16	1027461	NUT-TOPLOCK: .50 NC GR5 ZP	1
17	69856	LIFTER WHEEL MACHINED PAINTED	2
	300734	LIFTER WHEEL HARD PAINTED	
18	50747	PLATE-LIFTER WHEEL SPACER ZP	AR
19	63880	WLDMT-WHEEL FILLER (OPTIONAL)	2
20	64135	BOLT-EYE: .75 X 8.00 ZP	2
21	64136	BOLT-HEX: .75 X 8.50 NC GR5 ZP	2
22	1017000	NUT-TOPLOCK: .75 NC GR5 ZP	4
23	1013023	BOLT-HEX: .63 X 2.50 NC GR5 ZP	8
24	1011813	WASHER-LOCK: .63 ZP	16
25	65825	BOLT-HEX: .63 X 3.25 NC GR5 ZP	4
26	1013024	WASHER-FLAT: .63 ZP	4
27	1013473	PIN-COTTER: .19 X 2.00 NP	2
28	1016367	NUT-SPINDLE: 1.38 NF NP	2
29	63624	HUB CAP ROUNDED ZP	2
30	1030765	BUSHING-MACHINED: 1.38 NR 10 GA	2
31	53632	SEAL	2
32	53634	CONE-BEARING INNER	2
33	53636	CUP-BEARING INNER	2
34	1030766	ZERK - GREASE .13 NPT STRAIGHT	2
35	53635	CUP-BEARING OUTER	2
36	53633	CONE-BEARING OUTER	2
37	64012	PIN-COTTER: .19 X 3.00 NP	2

CONTINUED



LIFTER STRUT (CONTINUED)

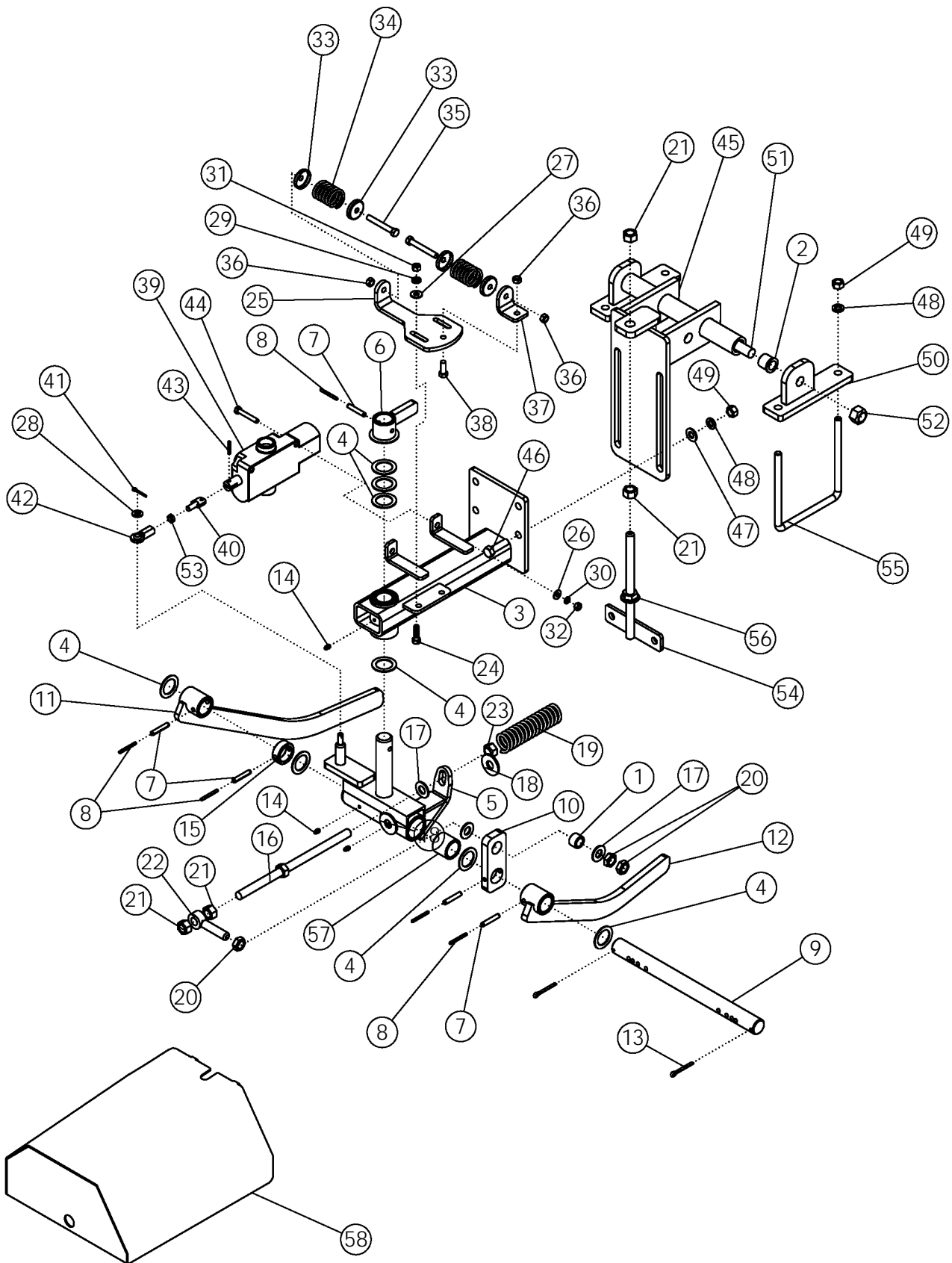
ITEM	PART NO.	DESCRIPTION	QTY	
38	64674	RACE-SPACER (.120)	AR	
39	300097	PLATE-LIFTER WHEEL FILLER	8	
40	59488	BOLT-CRG: .38 X 1.00 NC GR5 ZP	8	
41	1016999	NUT-TOPLOCK: .38 NC GR5 ZP	8	
OPTIONAL URETHANE BUSHING				
42	1016595	NUT-TOPLOCK: .63 GR5 ZP	12	
43	1014000	BOLT-HEX: .63 X 3.50 NC GR5 ZP	8	
44	1013935	BOLT-HEX: .63 X 4.50 NC GR5 ZP	4	
45	51705	BUSHING	12	
46	301324	WASHER-CUSTOM: .668 ID X 1.875 OD X .235	12	
OPTIONAL WHEEL FILLER BRACKET			6-8ROW	12 ROW
47	64658	WLDMT-WHEEL FILLER BRACKET	2	3
48	64659	PLATE-RETAINER	2	3
49	63372	BAR-BACKING	4	6
50	58176	BOLT-HEX: .38 X 3.50 NC GR5 ZP	8	12
51	1011581	WASHER-LOCK: .50 ZP	2	3
52	1013682	BOLT-HEX: .50 X 4.50 NC GR5 ZP	2	3
53	1016999	NUT-TOPLOCK: .38 NC GR5 ZP	8	12



ROW FINDER

Поз.	Код	DESCRIPTION	QTY
1	52567	BUSHING-ZP	1
2	52654	BUSHING-FLANGE	2
3	62520	ASSY-MAIN FRAME	1
4	55206	BUSHING-MACH: 1.25 NR 14GA	9
5	51139	ASSY - SWIVEL	1
6	51130	WLDMT-FLIPPER	1
7	1030793	PIN-ROLL: .31 X 1.75 ZP	5
8	1030798	PIN-ROLL: .19 X 1.75 ZP	5
9	51690	SHAFT ZP	1
10	52566	TENSIONER ARM	1
11	52564	SENSOR ARM-R.H.	1
12	51131	SENSOR ARM-L.H.	1
13	1030797	PIN-COTTER: .19 X 1.75 NP	2
14	1011748	ZERK - GREASE	3
15	51137	COLLAR	1
16	52565	ADJUSTMENT BOLT	1
17	1013004	WASHER-FLAT: SAE .63 ZP	3
18	1013024	WASHER-FLAT: .63 ZP	2
19	51692	SPRING: .21 X 1.44 OD X 6" 15 COILS	1
20	1026259	NUT-JAM: .63 NC GR2 ZP	3
21	1011578	NUT-HEX: .63 NC GR2 ZP	4
22	51691	EYEBOLT: .63 X 3.25 ZP	1
23	1016595	NUT-TOPLOCK: .63 NC GR5 ZP	1
24	1011601	BOLT-HEX: .38 X 1.25 NC GR5 ZP	2
25	51129	PLATE	1
26	1020416	WASHER-FLAT: .25 ZP	2
27	1011583	WASHER-FLAT: .31 ZP	2
28	1014608	WASHER-FLAT: SAE .38 ZP	1
29	1011586	WASHER-LOCK: .38 ZP	2
30	1029115	WASHER-LOCK: .31 ZP	2
31	1011576	NUT-HEX: .38 NC GR2 ZP	2
32	1011575	NUT-HEX: .31 NC GR2 ZP	2
33	52582	SPRING CAP	4
34	51689	SPRING	2
35	1019828	BOLT-HEX: .38 X 2.75 NC GR5 ZP	2
36	1016999	NUT-TOPLOCK: .38 NC GR5 ZP	3
37	51128	SPRING PLATE	1
38	1011600	BOLT-HEX: .38 X 1.00 NC GR5 ZP	1
39	62350	VALVE-ROWFINDER O/C	1
40	62540	PLATE STUD ZP	1

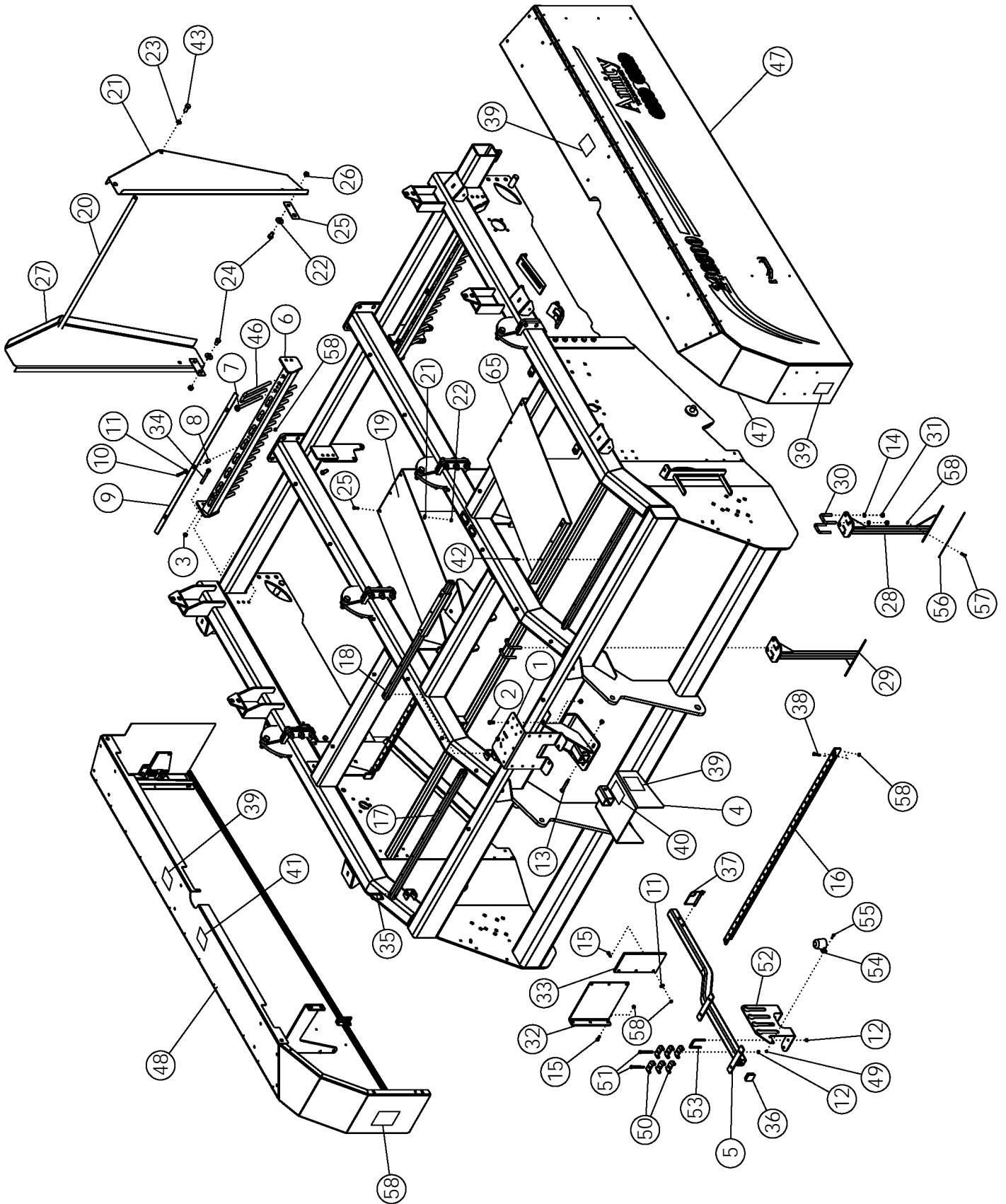
CONTINUED



ROW FINDER (CONTINUED)

ITEM	PART NO.	DESCRIPTION	QTY
41	64570	PIN-COTTER: .13 X 1.00 ZP	1
42	51136	UNIBALL COUPLING	1
43	64157	PIN-ROLL: .19 X 1.13 ZP	1
44	1011285	BOLT-HEX: .31 X 2.00 NC	2
45	63661	MOUNTING BRACKET	1
46	1011608	BOLT-HEX: .50 X 1.75 NC GR5 ZP	4
47	1011584	WASHER-FLAT: SAE .50 ZP	4
48	1011581	WASHER-LOCK: .50 ZP	8
49	1011577	NUT-HEX: .50 NC GR2 ZP	8
50	63662	MOUNTING SUPPORT	2
51	63664	BOLT-HEX: .75 X 14.00 NC GR5 ZP	1
52	1017000	NUT-TOPLOCK: .75 NC GR5 ZP	1
53	1030792	NUT-JAM: .38 NF GR2 ZP	1
54	62882	TIGHTENER BOLT-ZP	1
55	53984	U-BOLT 1/2 X 7 X 6 X 7	2
56	64731	NUT-SERRATED FLANGE .63NC ZP	1
57	56939*	BUSHING-OILITE 1.25 X 1.63	2
58	64668	WLDMT-ROW FINDER COVER	1

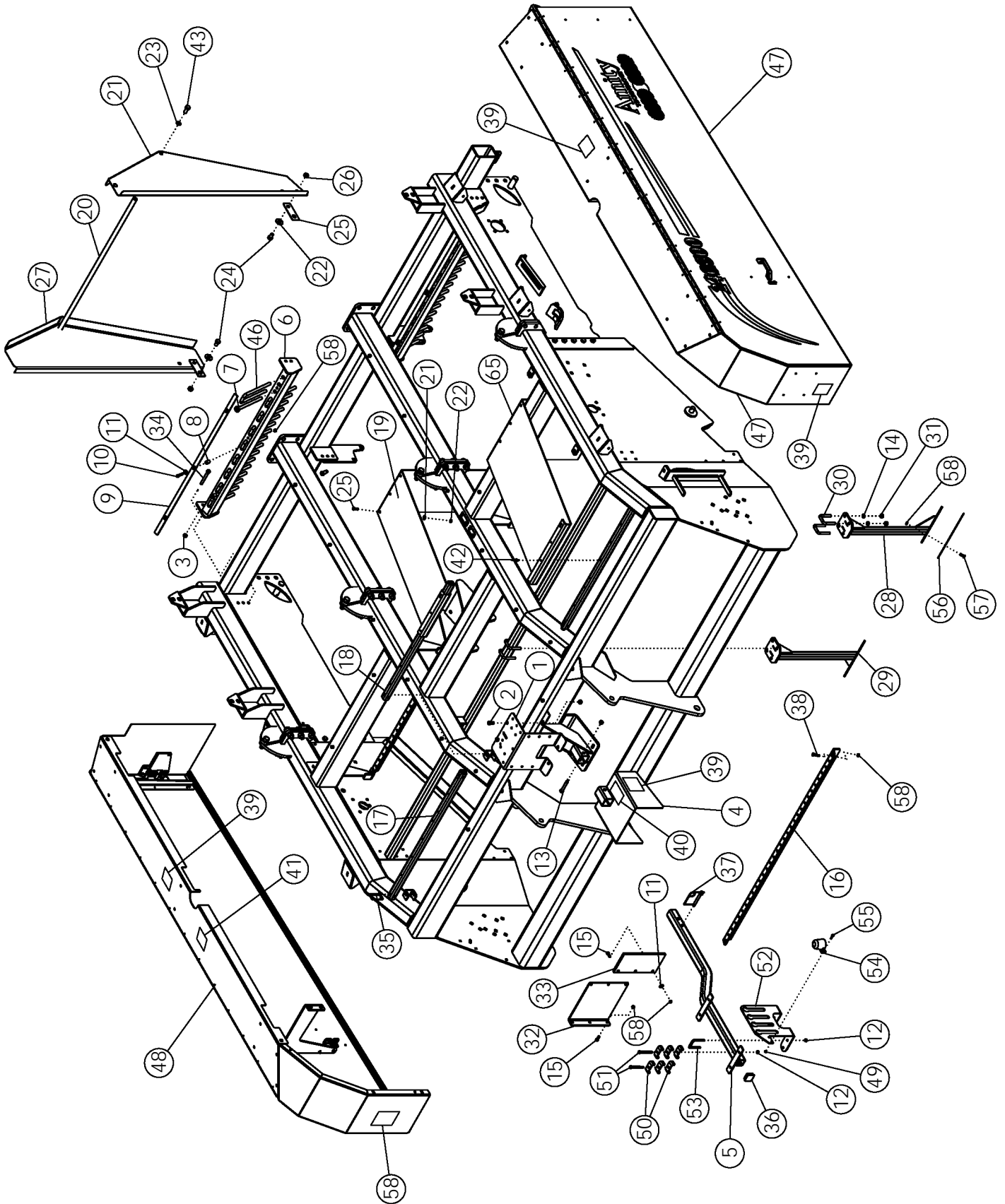
*ITEM 57 IS INCLUDED WITH ITEM 5



GUARDS AND SHIELDS

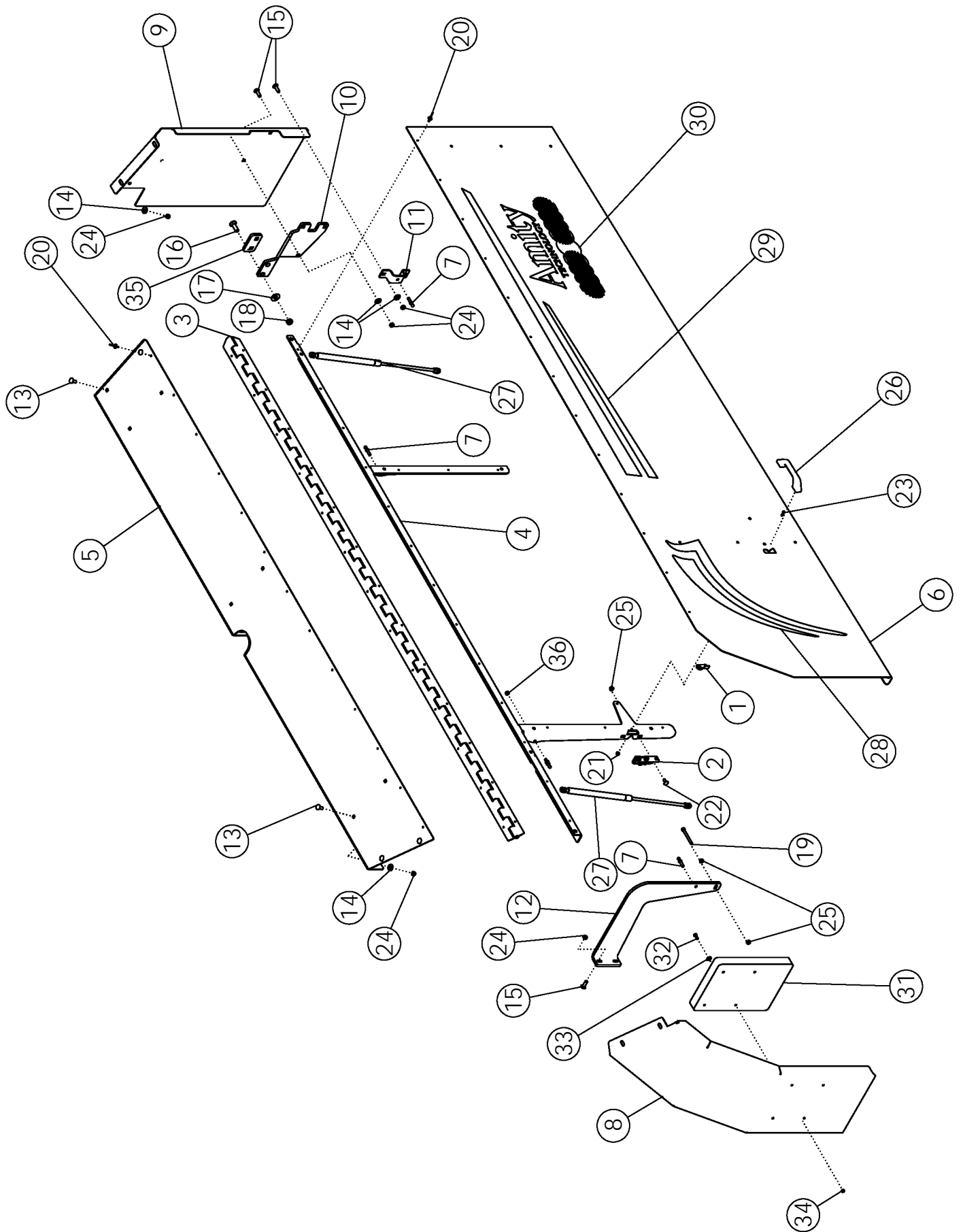
ITEM	PART NO.	DESCRIPTION	QTY
1	62883	PLATE-HOSE MOUNT	1
2	1011096	BOLT-HEX: .50 X 1.00 NC GR5 ZP	2
3	1027461	NUT-TOPLOCK: .50 NC GR5 ZP	13
4	63354	WLDMT-PTO SHIELD	1
5	301210	WLDMT-HOSE HOLDER	1
6	58008	WLDMT-MOUNT	2
7	58009	ROD ZP	2
8	58446	SPACER ZP	6
9	58447	STRAP	2
10	1011603	BOLT-HEX: .38 X 1.75 NC GR5 ZP	6
11	1011828	WASHER-FLAT: .38 ZP	20
12	1016999	NUT-TOPLOCK: .38 NC GR5 ZP	20
13	1011611	BOLT-HEX: .50 X 3.00 GR5 ZP	1
14	1011581	WASHER-LOCK: .50 ZP	20
15	1011600	BOLT-HEX: .38 X 1.00 NC GR5 ZP	33
16	53247	MOUNT-TARP 6R	2
17	63865	TUBE-OUTER APRON 6R EXPORT	2
18	63866	TUBE-INNER APRON 6R EXPORT	1
19	58961	APRON-RUBBER	4
20	56754	PIPE-THREADED	1
21	56257	GUARD-REAR SCRUB LH	1
22	1013024	WASHER-FLAT: .63 ZP	4
23	1011813	WASHER-LOCK: .63 ZP	4
24	1032509	BOLT-HEX: .63 X 1.25 NC GR5 ZP	2
25	56256	LINK-GUARD	2
26	1016595	NUT-HEX: .63 NC GR2 ZP	4
27	56258	GUARD-REAR SCRUB RH	1
28	57705	WLDMT - DEFLECTOR EXPORT	4
29	57706	WLDMT - DEFLECTOR EXPORT	1
30	65658	U-BOLT: .50 X 3 X 2.06 X 3	10
31	1011577	NUT-HEX: .50 NC GR2 ZP	20
32	63868	PLATE-FILLER 6R 45CM (18")	2
	68434	PLATE-FILLER 6R 50CM (20")	
	51331	PLATE-FILLER 6R 56CM (22")	
33	51680	DEFLECTOR-RUBBER	2
34	1032507	BOLT-HEX: .50 X 4.00 NC GR5 ZP	8
35	59101	SPRING PIN .38" X 3.00"	3
36	301129	CAPLUG-2" SQ	1

CONTINUED



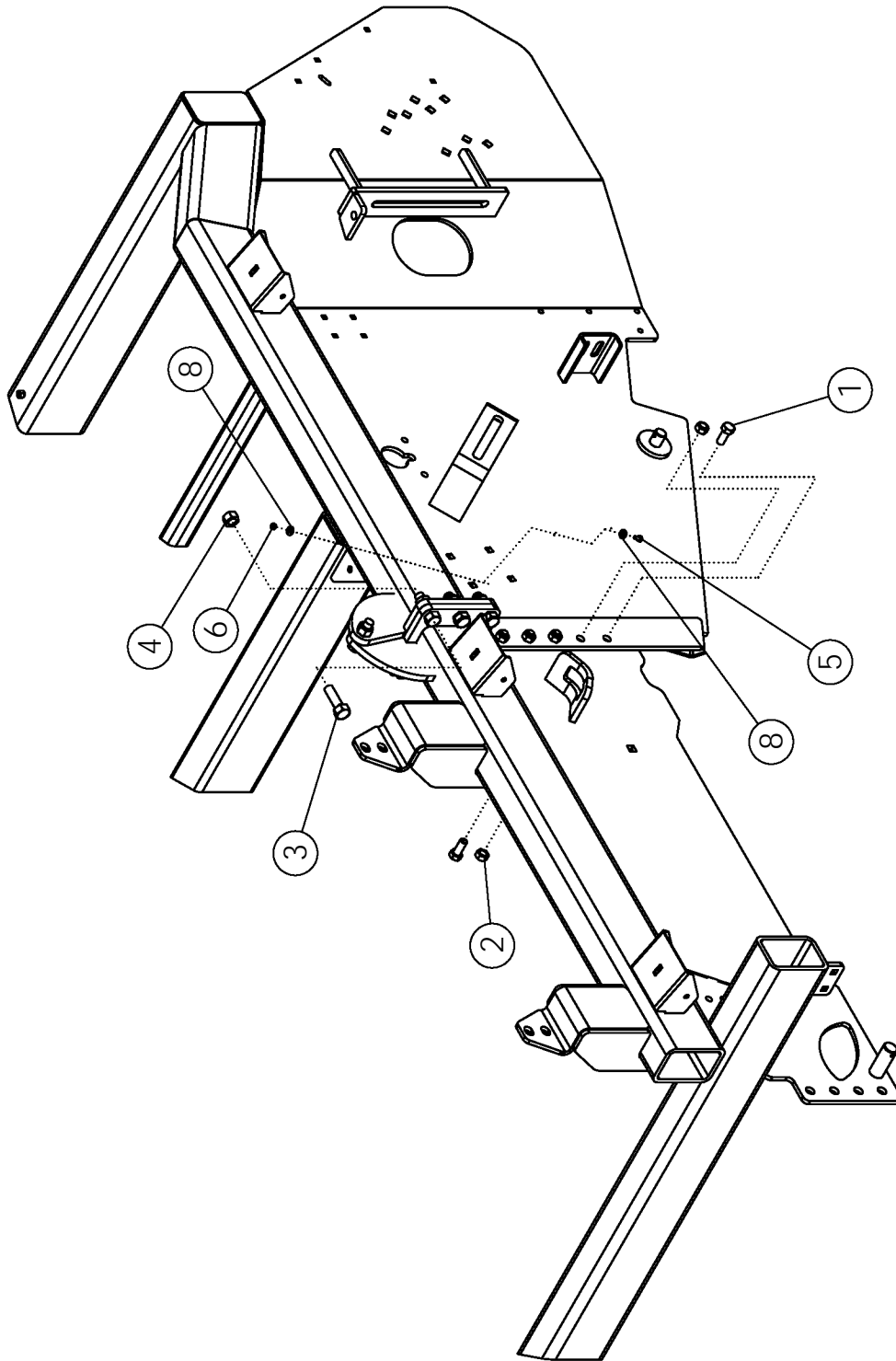
GUARDS AND SHIELDS (CONTINUED)

ITEM	PART NO.	DESCRIPTION	QTY
37	52408	SPRING PIN .50" X 3.50"	1
38	1011602	BOLT-HEX: .38 X 1.50 NC GR5 ZP	4
39	52335R	DECAL-WARNING	5
40	52336R	DECAL-CAUTION	1
41	53740R	DECAL-DANGER	1
42	1011974	RIVET-POP: .19 X .53 ZP	20
43	1014349	BOLT-HEX: .63 X 1.50 NC GR5 ZP	2
44	64635	CASE-MANUAL STORAGE (NOT SHOWN)	1
45	68161	APRON-RUBBER OUTER	2
46	69117	U-ROD ZP	18
47	69310	ASSY-DOOR LH	1
48	69370	ASSY-DOOR RY	1
49	1030946	NUT-TOPLOCK: .25 NC GR5 ZP	2
50	50714	CLAMP 1/2"	12
51	58176	BOLT-HEX: .38 X 3.50 NC GR5 ZP	2
	1015174	BOLT-HEX: .38 X 2.50 NC GR5 ZP	
52	301212	PLATE-HYD HOSE END HOLDER	1
53	33162	U-BOLT: .375 X 3 X 2 X 3	2
54	223329	HOLDER-LIGHT PLUG	1
55	1013423	BOLT-HEX: .25 X 1.00 NC GR5 ZP	2
ONLY FOR 56CM (22")			
56	68425	PLATE-DEFLECTOR	5
57	1011600	BOLT-HEX: .38 X 1.00 NC GR5 ZP	15
58	1016999	NUT-TOPLOCK: .38 NC GR5 ZP	15



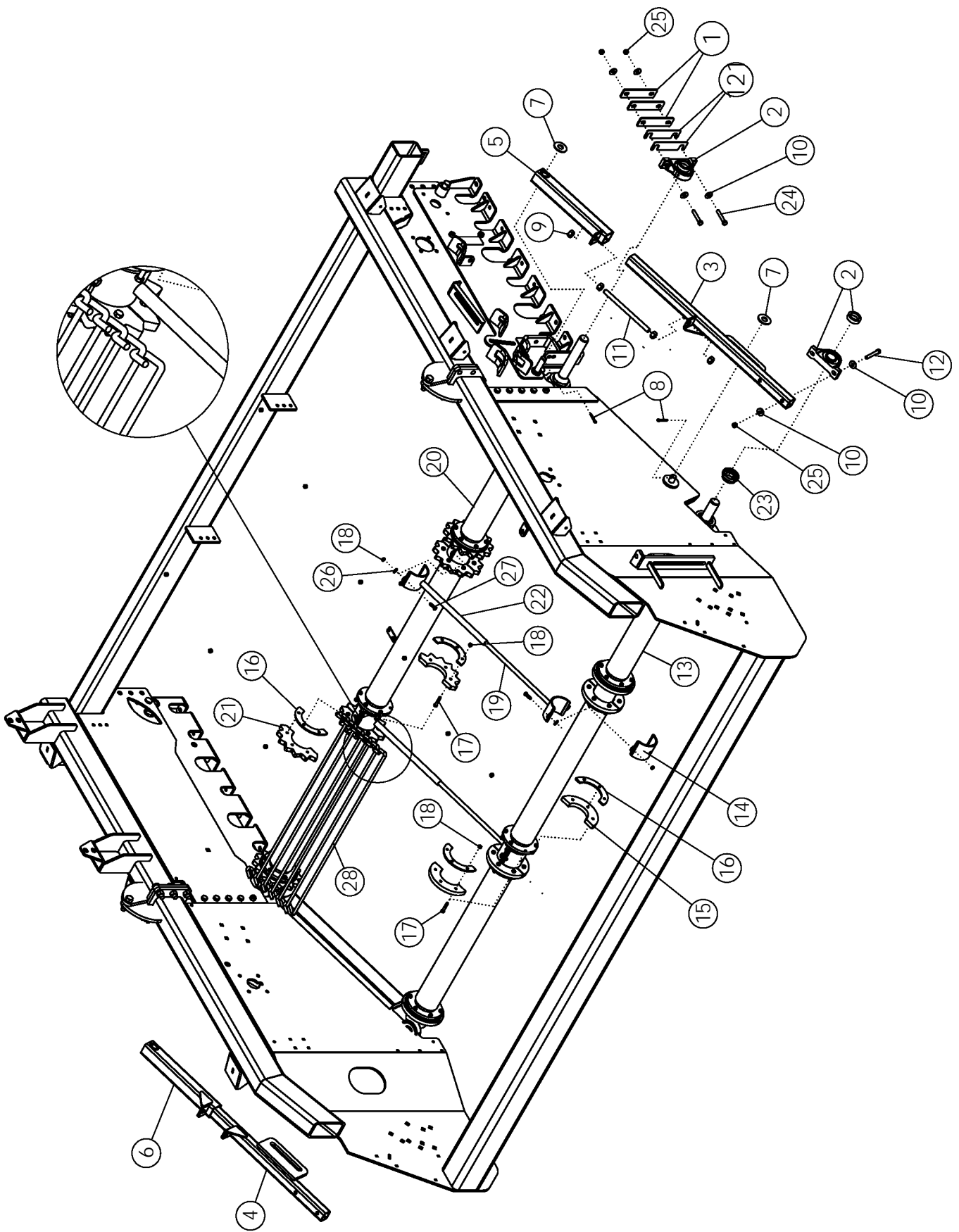
DOOR ASSEMBLY

ITEM	PART NO.	DESCRIPTION	QTY
1	69284	LEVER-HRV LATCH ZP	1
2	69283	LATCH-DLP ROTARY SLAM	1
3	69286	HINGE-108 HEAVY CONTINUOUS	1
4	69266	WLDMT-DOOR FRAME LH	1
	69348	WLDMT-DOOR FRAME RH (NOT SHOWN)	1
5	69312	PANEL-SHIELD TOP LH PC	1
	69372	PANEL-SHIELD TOP RH PC (NOT SHOWN)	1
6	69270	SHEET-SHIELD DOOR LH PC	1
	69319	SHEET-SHIELD DOOR RH PC (NOT SHOWN)	1
7	69278	STUD-BALL .31-18NC X .75	4
8	69272	PANEL-SHIELD FRONT LH PC	1
	69317	PANEL-SHIELD FRONT RH PC (NOT SHOWN)	1
9	69273	PANEL-SHIELD REAR LH PC	1
	69318	PANEL-SHIELD REAR RH PC (NOT SHOWN)	1
10	69274	PLATE-SUPPORT REAR LH	1
	69344	PLATE-SUPPORT REAR RH (NOT SHOWN)	1
11	69275	BRACKET-SPRING REAR	1
12	69277	BRACKET-SPRING FRONT LH	1
	69320	BRACKET-SPRING FRONT RH (NOT SHOWN)	1
13	59488	BOLT-CRG: .38 X 1.00 NC GR5 ZP	10
14	1011828	WASHER-FLAT .38 ZP	17
15	1016362	BOLT-CRG: .38 X 1.25 NC GR5 ZP	7
16	44122	BOLT-CRG: .50 X 2.00 NC GR5 ZP	2
17	1014443	WASHER-FLAT: .50 ZP	2
18	1027461	NUT-TOPLOCK: .50 NC GR5 ZP	2
19	1029448	BOLT-HEX .31 X 3.00 NC GR5 ZP	1
20	1011974	RIVET-POP: .19 X .531 ZP	32
21	67079	NUT-NYLOCK: 10-24 GR2 ZP	2
22	65702	BOLT-CRG: .31 X .75 NC GR5 ZP	2
23	67078	SCREW-P-H: 10-24 X .75 NC GR2 ZP	2
24	1016999	NUT-TOPLOCK: .38 NC GR5 ZP	17
25	67077	NUT-FLANGE SERR .31 NC ZP GR2	4
26	69285	HANDLE-MOLDED GRAB	1
27	69282	SPRING-700N GAS	1
28	69294	DECAL-LH CURVE	1
	69297	DECAL-RH CURVE	1
29	69295	DECAL-LH STRIPE	1
	69298	DECAL-RH STRIPE	1
30	69399	DECAL-AMITY LOGO	1
31	64635	CASE-MANUAL STORAGE	1
32	1011595	BOLT-HEX: .25 X .75 NC GR5 ZP	4
33	1020416	WASHER-FLAT: .25 ZP	4
34	1030946	NUT-TOPLOCK: .25 NC GR5 ZP	4
35	69373	PLATE-SPACER	1
36	1030700	NUT-TOPLOCK: .31 NC GR5 ZP	4
37	69411	SPRING-GAS LIFT N LATCH FRONT	1



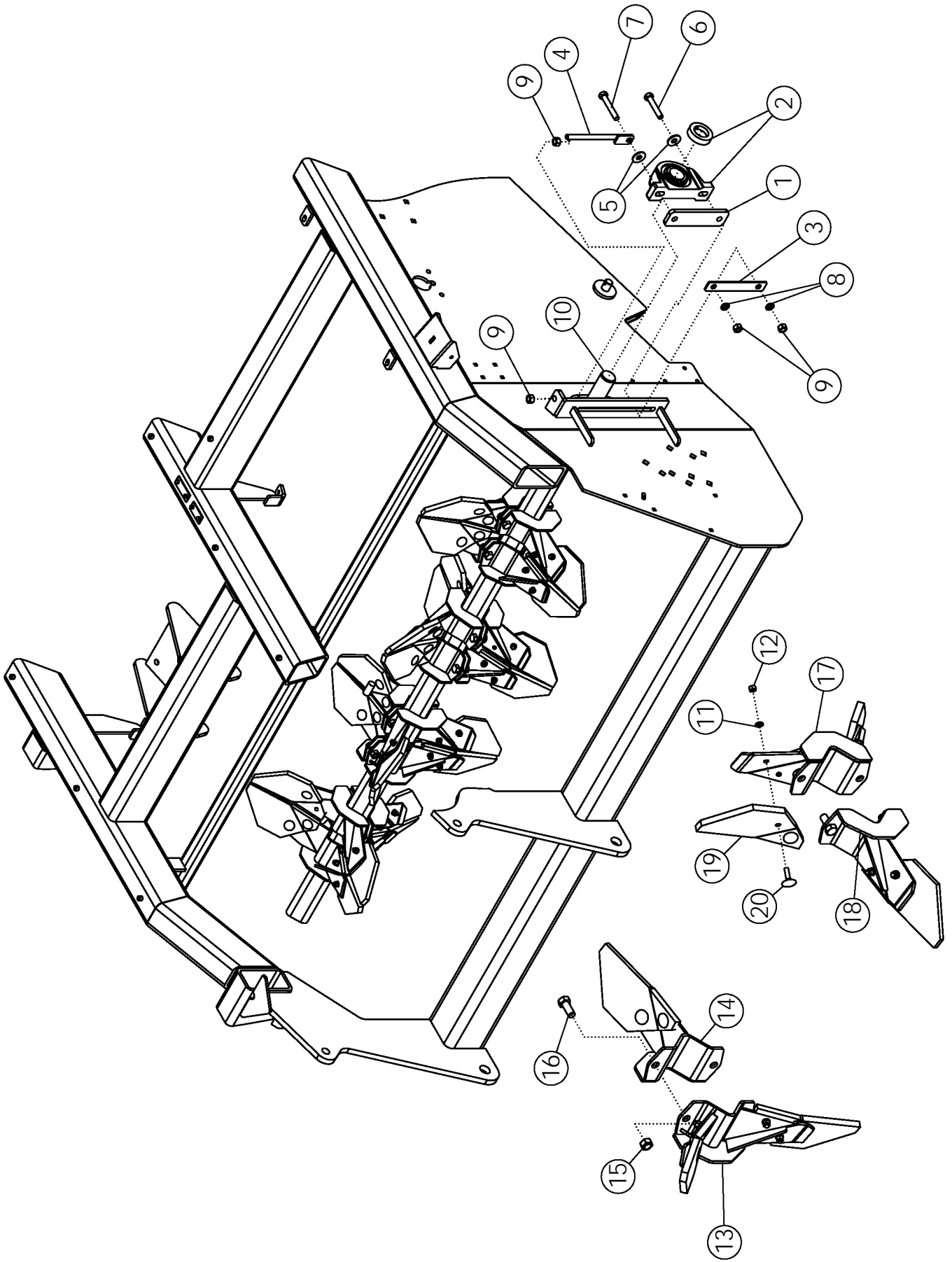
FRAME HARDWARE

ITEM	PART NO.	DESCRIPTION	QTY
1	1014349	BOLT-HEX: .63 X 1.50 NC GR5 ZP	10
2	1016595	NUT-TOPLOCK: .63 NC GR5 ZP	10
3	1016598	BOLT-HEX: .75 X 2.50 NC GR5 ZP	23
4	1017000	NUT-TOPLOCK: .75 NC GR5 ZP	23
5	1013243	BOLT-HEX: .25 X .50 NC GR5 ZP	12
6	1030946	NUT-TOPLOCK: .25 NC GR5 ZP	12
7	63953	PLATE - BOLTING	2
8	1020416	WASHER-FLAT: .25 ZP	24



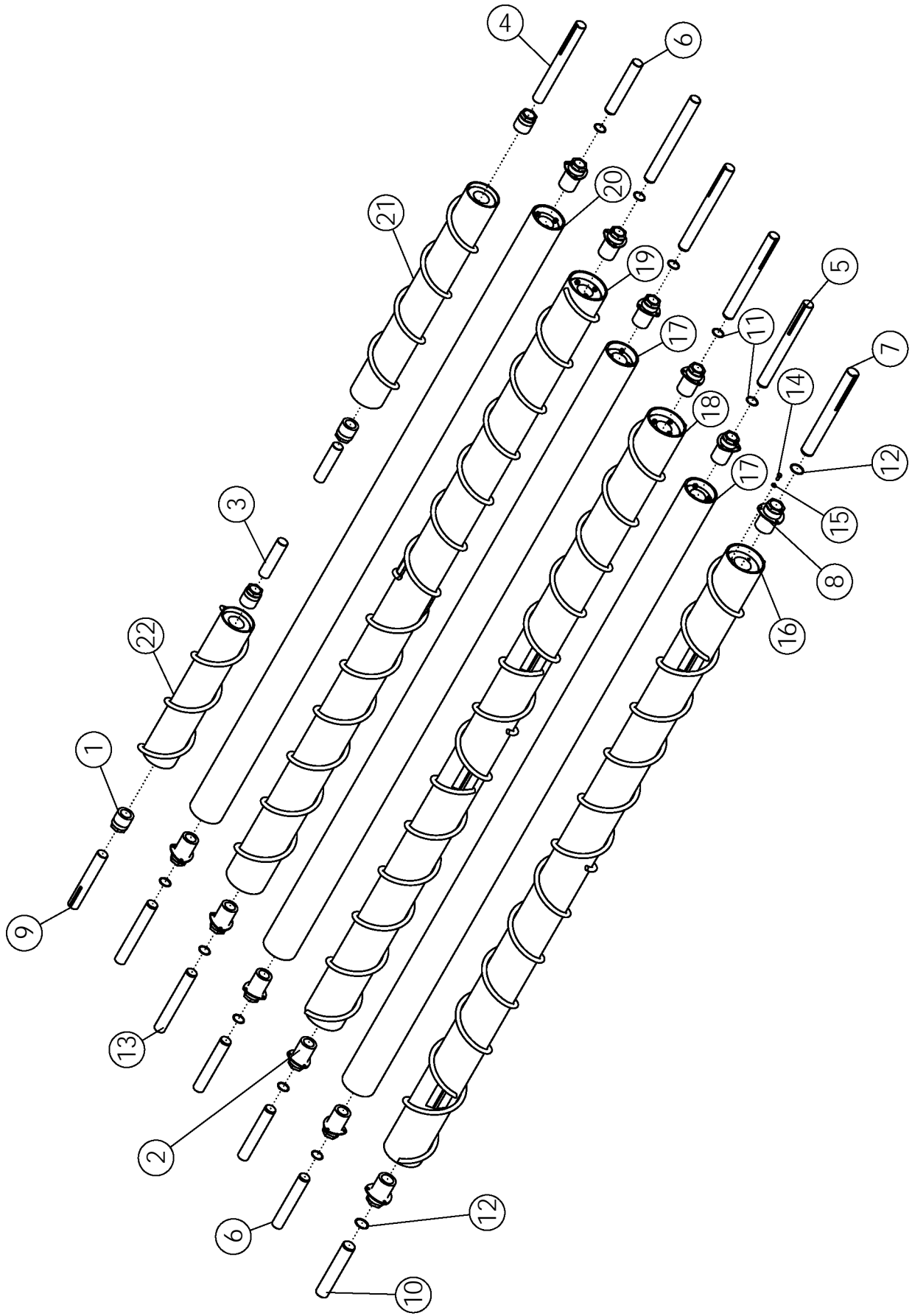
APRON SHAFT

ITEM	PART NO	DESCRIPTION	QTY
1	56672	SHIM-BEARING	AR
2	52405	BEARING-PILLOW 1-3/4" (w ith lock collar)	4
3	56697	WLDMT-SLIDE LH	1
4	56698	WLDMT-SLIDE RH	1
5	56692	WLDMT-ARM LH	1
6	56693	WLDMT-ARM RH	1
7	1020685	WASHER-FLAT: 1.00	4
8	1016944	PIN-COTTER: .25 X 2.00 ZP	4
9	1011620	NUT-HEX: .75 NC	8
10	1014443	WASHER-FLAT: .50 ZP	16
11	56718	ROD-THREADED ZP	2
12	1029104	BOLT-HEX: .50 X 3.75 NC GR5 ZP	4
13	63394	WLDMT- BOTTOM APRON SHAFT	1
14	64159	CLAMP-FILLER PAINTED	4
15	58322	HALF-DISC IDLER	12
16	62836	HALF DISC - SPACER ZP	24
17	1011725	BOLT-HEX: .38 X 2.00 NC	72
18	1016999	NUT-TOPLOCK: .38 NC GR5 ZP	80
19	64161	WLDMT-LOWER FILLER	2
20	63352	WLDMT-TOP APRON SHAFT	1
21	63365	SPROCKET-SPLIT 1.88	6
22	64162	WLDMT-UPPER FILLER	2
23	52382	SEAL PROTECTOR 1-3/4"	2
24	1011611	BOLT-HEX: .50 X 3.00 NC GR5 ZP	4
25	1027461	NUT-TOPLOCK: .50 NC GR5 ZP	8
26	1011828	WASHER-FLAT: .38 ZP	8
27	1011601	BOLT-HEX: .38 X 1.25 NC GR5 ZP	8
28	53845	CHAIN 1/2 X 42 X 1.88	6
	53784	CHAIN APRON 1/2 X 2.38 6ROW	
	53855	CHAIN APRON 1/2 X 1.88 6ROW	
29	300146	SHIM-BEARING	2



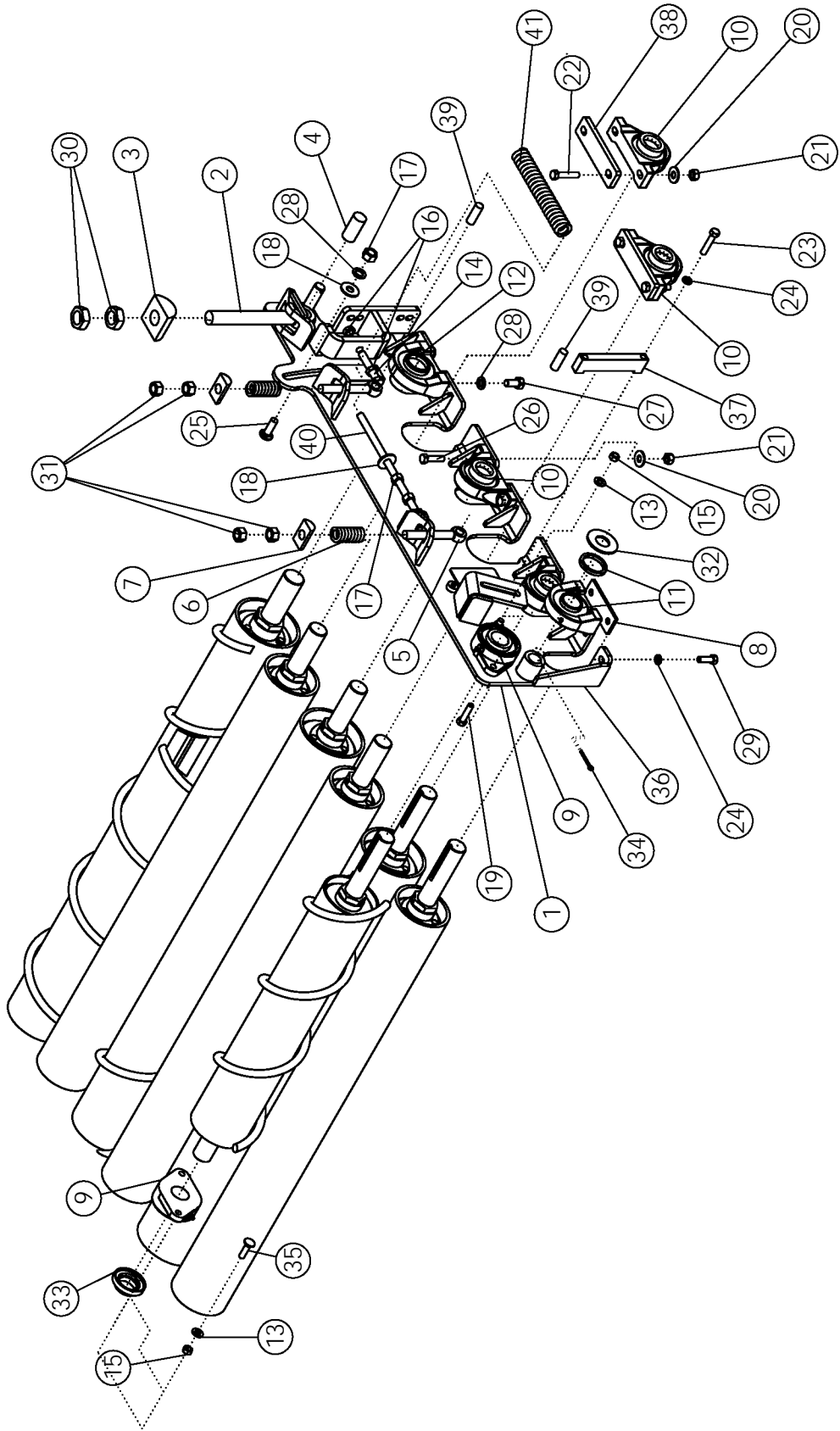
PADDLE SHAFT

ITEM	PART NO.	DESCRIPTION	QTY
1	57996	SHIM-BEARING ZP	2
2	57997	BEARING-PILLOW 2"	2
3	57998	PLATE-BACKING ZP	2
4	51365	TIGHTENER BOLT	2
5	1013024	WASHER-FLAT: .63 ZP	4
6	1014000	BOLT-HEX: .63 X 3.50 NC GR5 ZP	2
7	1016726	BOLT-HEX: .63 X 4.00 NC GR5 ZP	2
8	1011813	WASHER-LOCK: .63 ZP	4
9	1011578	NUT-HEX: .63 NC GR2 ZP	8
10	57975	WLDMT-PADDLE SHAFT	1
11	1011586	WASHER-LOCK: .38 ZP	72
12	1011576	NUT-HEX: .38 NC GR2 ZP	72
13	50722	WLDMT - PADDLE DOUBLE RH	6
14	50721	WLDMT - PADDLE SINGLE RH	6
15	1016595	NUT-TOPLOCK: .63 NC GR5 ZP	24
16	1014349	BOLT-HEX: .63 X 1.50 NC GR5 ZP	24
17	50719	WLDMT - PADDLE DOUBLE LH	6
18	50720	WLDMT - PADDLE SINGLE LH	6
19	51562	PADDLE-RUBBER	36
20	1030779	BOLT-ELEVATOR: .38 X 1.50 NC ZP	72



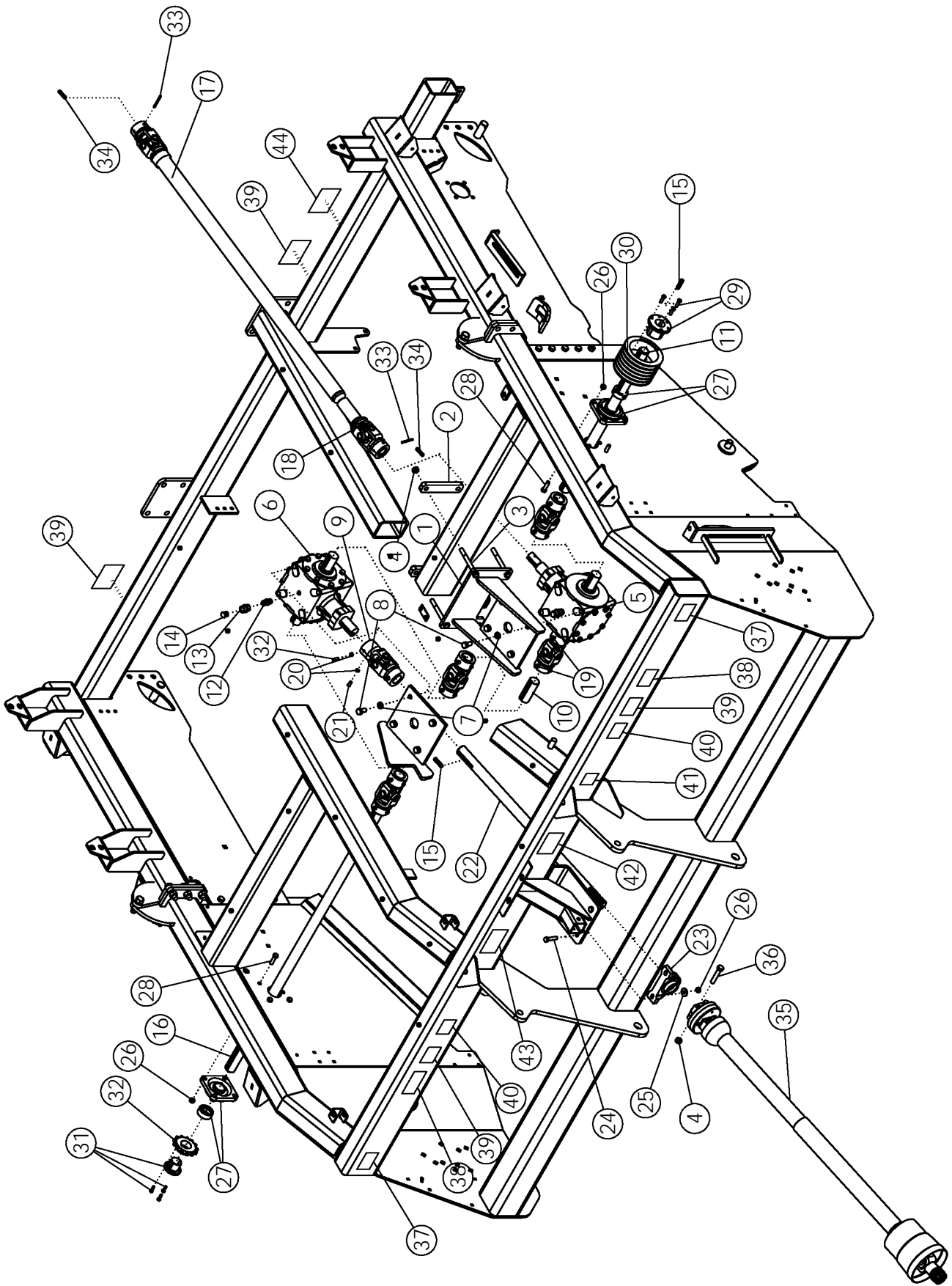
CLEANING ROLLS

ITEM	PART NO.	DESCRIPTION	QTY
<u>PARTS COMMON TO ALL ROLLS</u>			
1	58459	#7-HUB TRANTORQUE 1.75 HD	4
2	64163	#2,3,4,5,6-HUB-TRANTORQUE 1.75 X 3.38	10
3	59471	SHAFT-STUB #7	2
4	58759	SHAFT-#7LH	1
5	64177	SHAFT-DRIVE #2,3,4,5	4
6	64179	SHAFT-IDLER #2,3,4,6	4
7	64181	SHAFT-#1 DRIVE END	1
8	64165	#1-HUB-TRANTORQUE 2.00 X 3.38	2
9	58761	SHAFT #7RH	1
10	64182	SHAFT-#1 IDLER END	1
11	64184	RING-RETAINING 1.75	10
12	64185	RING-RETAINING 2.00	2
13	64178	SHAFT-#5,6	2
14	1011599	BOLT-HEX: .38 X .75 NC GR5 ZP	36
15	1011586	WASHER-LOCK: .38 ZP	36
<u>CLEANING ROLLS (COMPLETE)</u>			
16	58824	ASSY-#1 ROLL-SCROLL-6R-TT	1
	58948	WLDMT-#1 SCROLLED-6R-HRD-TT	
17	58953	ASSY-#2,4-6R-5.5" STD-TT	2
	58953	ASSY#2,4-6R-2.5" STD-TT	
18	58829	ASSY-#3 SCROLLED-6R-TT	1
	58949	WLDMT-#3-SCROLLED-6R-HRD-TT	
19	58832	ASSY-#5 SCROLLED-6R-STD-TT	1
	58950	WDMT-#5-SCROLLED-6R-HRD-TT	
20	58954	ASSY-#6-6R-5.5"-STD-TT	1
21	59473	ASSY-#7LH SCROLL-6R-TT-SHORT	1
22	59475	ASSY-#7RH SCROLL-6R-TT-SHORT	1



CLEANING ROLL MOUNTING PACKAGE

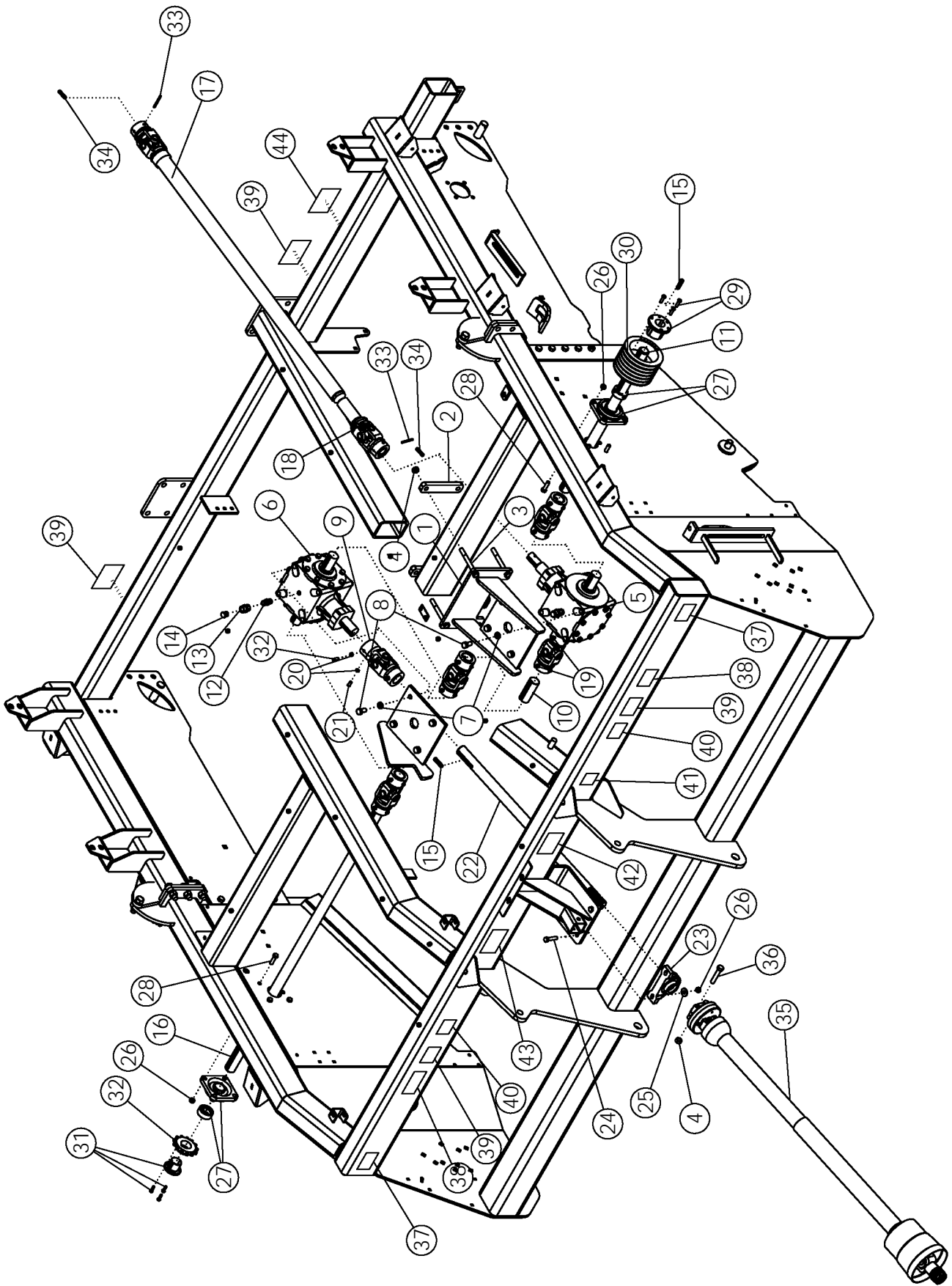
ITEM	PART NO.	DESCRIPTION	QTY
1	58907	WLDMT-MOUNT RH	1
	58906	WLDMT-MOUNT LH (NOT SHOWN)	1
2	56813	BOLT-EYEBOLT: 1.25 X 10.5 ZP	2
3	56679	HALF ROUND 3.0" ZP	2
4	56676	ROD ZP	2
5	56814	BOLT-EYEBOLT: .75 X 6.00 ZP	4
6	57877	SPRING 3.00" (RIGHT SIDE ONLY)	2
7	56680	HALF ROUND 1.50" ZP	4
8	57992	SHIM-BEARING	2
9	62134	BEARING-FLANGE 1-3/4"	4
10	52405	BEARING-PILLOW 1-3/4"	8
	64466	PILLOW BLOCK BEARING 1-3/4" STL (ROCK ONLY)	
11	62135	BEARING 1.750 TAPPED BASE	2
12	62136	BEARING 2.000 TAPPED BASE	2
13	1011584	WASHER-FLAT: SAE .50 ZP	4
14	1032273	BOLT-TAP: .63 X 3.50 NC GR5 ZP	2
15	1027461	NUT-TOPLOCK: .50 NC GR5 ZP	8
16	1026259	NUT-JAM: .63 NC GR2 ZP	4
17	1011578	NUT-HEX: .63 NC GR2 ZP	8
18	1013024	WASHER-FLAT: .63 ZP	4
19	1011609	BOLT-HEX: .50 X 2.00 NC GR5 ZP	4
20	59104	WASHER-FLAT: .56 GR8 ZP	16
21	59105	NUT-TOPLOCK: .56 NC GR8 ZP	16
22	59103	BOLT-HEX: .56 X 2.50 NC GR8 ZP	8
23	1011610	BOLT-HEX: .50 X 2.50 NC GR5 ZP	4
24	1011581	WASHER-LOCK: .50 ZP	8
25	58635	BOLT-CRG: .63 X 2.00 NC GR5 ZP	2
26	59102	BOLT-HEX: .56 X 2.00 NC GR8 ZP	8
27	1032509	BOLT-HEX: .63 X 1.25 NC GR5 ZP	4
28	1011813	WASHER-LOCK: .63 ZP	6
29	1011607	BOLT-HEX: .50 X 1.50 NC GR5 ZP	4
30	62511	NUT-JAM: 1.25 NC GR2 ZP	4
31	1011620	NUT-HEX: .75 NC GR2 ZP	8
32	1013431	WASHER-FLAT: 1.25 ZP	2
33	52383	LOCK PROTECTOR 1-3/4"	2
34	1016727	PIN-COTTER: .25 X 2.50 NP	2
35	59517	BOLT-CRG: .50 X 1.75 NC GR5 ZP	4
36	56682	WLDMT-SLIDE MOUNT RH	1
	56681	WLDMT-SLIDE MOUNT LH (NOT SHOWN)	1
37	56677	WLDMT-HOLDER	2
38	57792	SHIM-BEARING	4
39	56675	ROD ZP	4
40	56815	WLDMT-BOLT & NUT ZP	2
41	57878	SPRING 10"	2



MAIN DRIVE

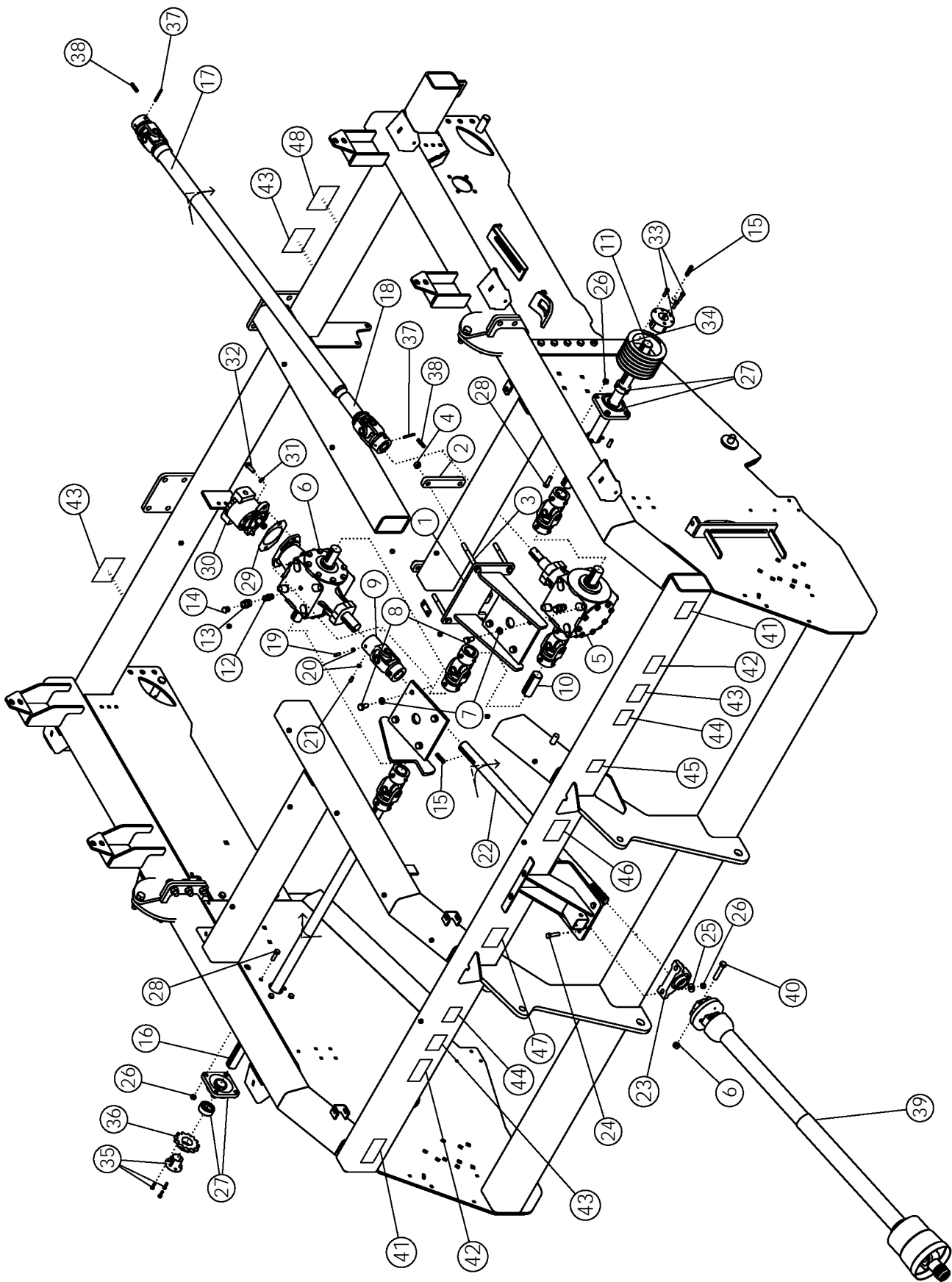
ITEM	PART NO.	DESCRIPTION	QTY
1	62204	WLDMT - MOUNT GEARBOX	1
2	62544	BAR - BOLTING	2
3	1032504	BOLT-HEX: .63 X 6.00 NC GR8 ZP	4
4	1016595	NUT-TOPLOCK: .63 NC GR5 ZP	6
5	63847	GEARBOX-PRAIRIE (1.35:1) BLACK	1
6	63846	GEARBOX-PRAIRIE (1.81:1) BLACK	1
7	1011813	WASHER-LOCK: .63 ZP	8
8	1032509	BOLT-HEX: .63 X 1.25 NC GR5 ZP	8
9	53642	U-JOINT	5
10	57934	SHAFT-DRIVE LH SHORT	1
11	57935	SHAFT-DRIVE LH LONG	1
12	69128	FTG-ADAPTER: 8MP-8MP 4" LONG	2
13	55730	FTG-ADAPTER: 8FP-8FP	2
14	64408	VENT PLUG .50	2
15	50152	KEY .38 X .38 X 2.00	13
16	56819	SHAFT-DRIVE 6R	1
17	57924	SHAFT-DRIVE: 42.50	1
18	57925	COUPLER-DRIVE BLACK	1
19	1030709	SCREW-SET: C-P .38 X .75 NC GR8	12
20	1013519	NUT-JAM: .38 NC GR2 ZP	22
21	1030708	SCREW-SET: C-P .38 X 1.00 NC GR8	10
22	56775	SPLINE SHAFT	1
23	52405	BEARING-PILLOW 1.75	1
24	1017708	BOLT-HEX: .50 X 2.25 NC GR5 ZP	2
25	1014443	WASHER-FLAT: .50 ZP	2
26	1027461	NUT-TOPLOCK: .50 NC GR5 ZP	10
27	52404	BEARING-FLANGE 1.75	2
28	1011608	BOLT-HEX: .50 X 1.75 NC GR5 ZP	8
29	50335	HUB Q1 1.75	1
30	56647	SHEAVE 6TB68	1
	56646	SHEAVE 6TB62	1
	53668	SHEAVE 6TB56	1
31	53641	HUB P1 1.75	1
32	62034	SPROCKET H80-P12	1
33	58290	PIN-ROLL: .25 X 2.25 NP	2
34	58396	KEY .31 X .31 X 1.75	2
35	51480	PTO-CV 1-3/8" WEASLER (HRV)	1
	51481	PTO-CV 1-3/4" WEASLER (HRV)	1
	64168	PTO-CV WEASLER	
36	1030704	BOLT-HEX: .63 X 3.25 NC GR8 ZP	2
37	64617R	DECAL-DANGER	2
38	52334R	DECAL-WARNING	2

CONTINUED



MAIN DRIVE (CONTINUED)

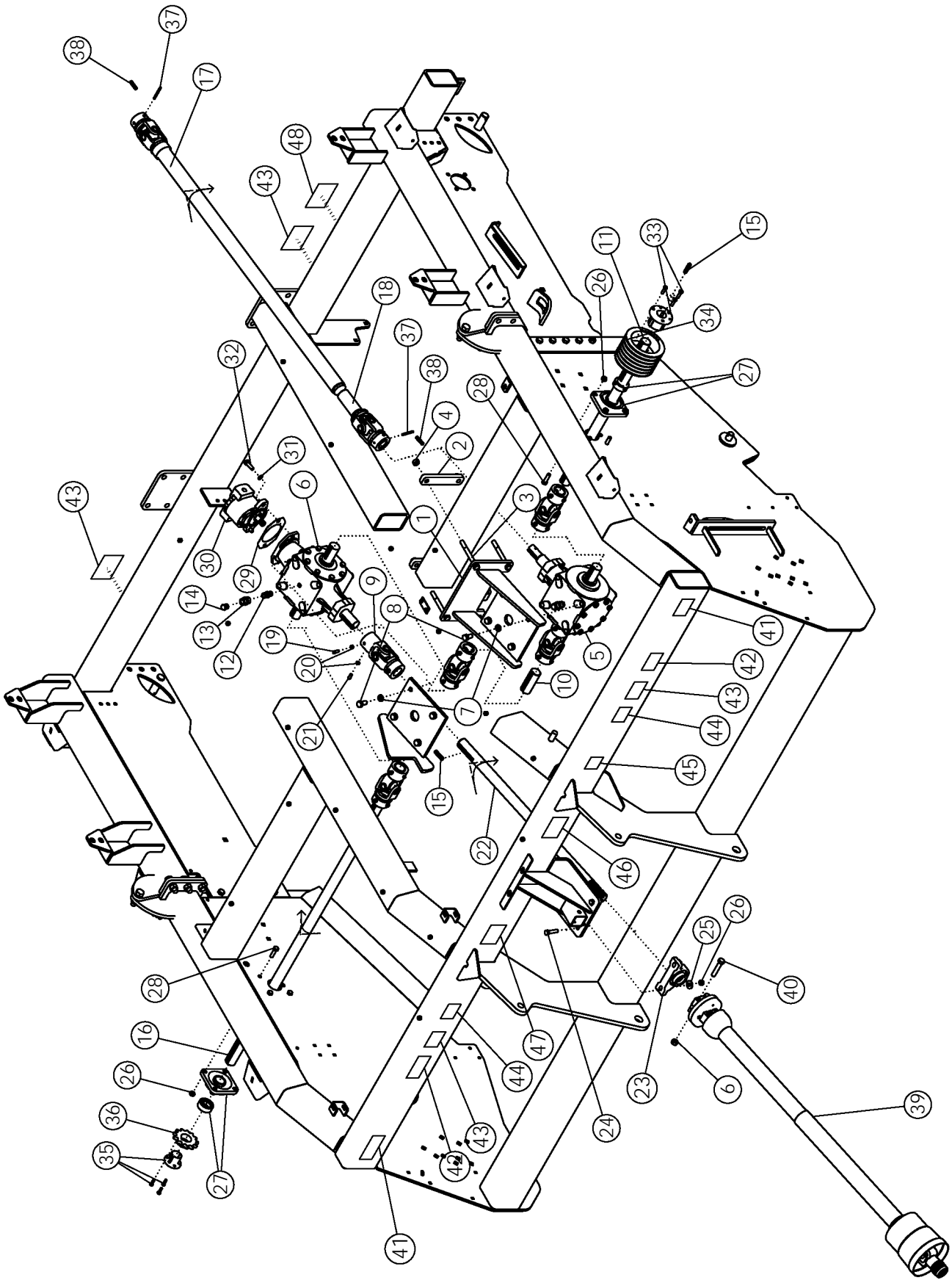
ITEM	PART NO.	DESCRIPTION	QTY
39	52338R	DECAL-DANGER	4
40	52329R	DECAL-DANGER	2
41	64616R	DECAL-ENGAGE PTO	1
42	62964R	DECAL-WARNING	1
43	53747R	DECAL-DANGER	1
44	59614R	DECAL-CAUTION	1



MAIN DRIVE: ONBOARD OPTION

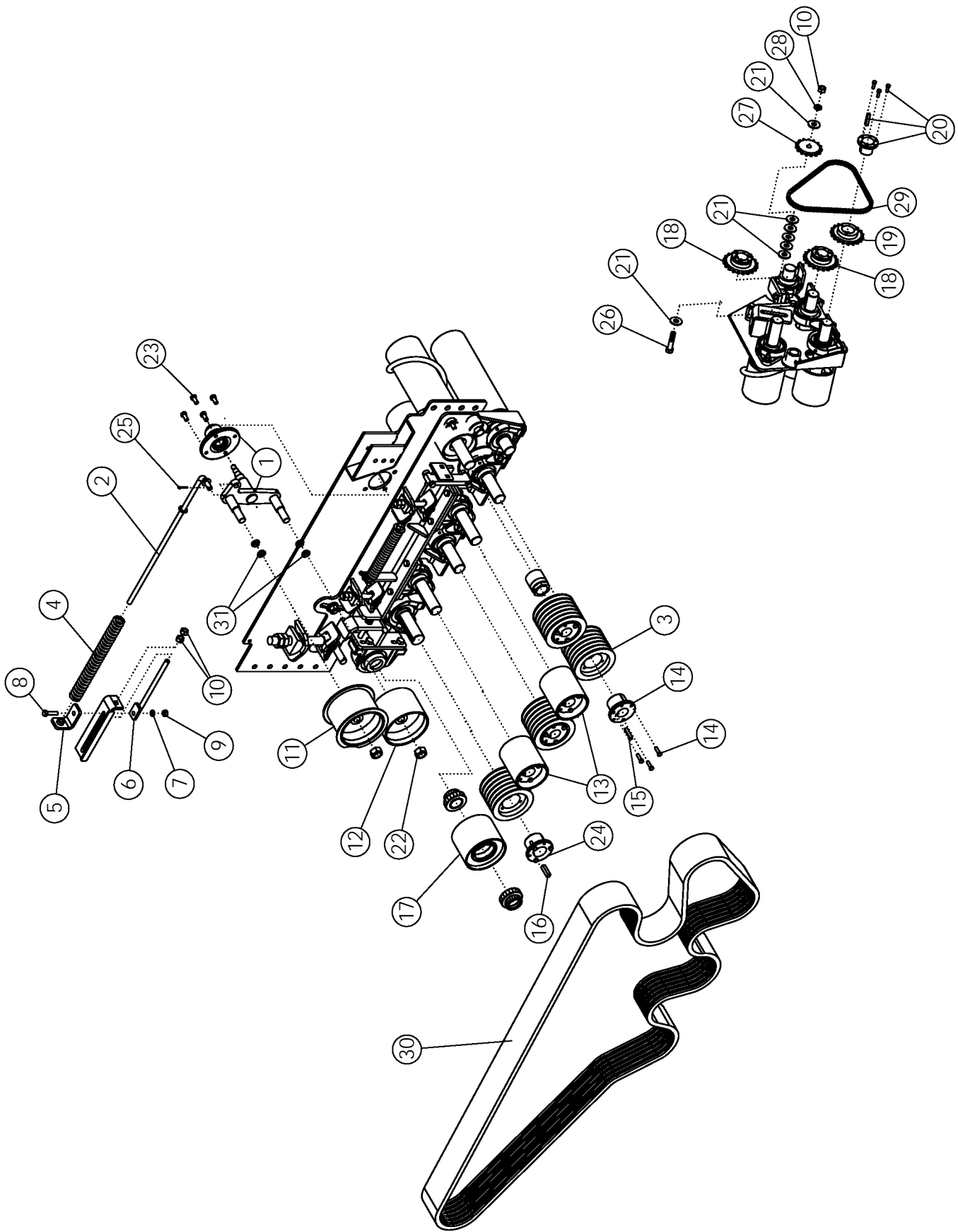
ITEM	PART NO.	DESCRIPTION	QTY
1	62204	WLDMT - MOUNT GEARBOX	1
2	62544	BAR - BOLTING	2
3	1032504	BOLT-HEX: .63 X 6.00 NC GR8 ZP	4
4	1016595	NUT-TOPLOCK: .63 NC GR5 ZP	6
5	63847	GEARBOX-PRAIRIE (1.35:1) BLACK	1
6	62396	GEARBOX-PRAIRIE (1.81:1)	1
7	1011813	WASHER-LOCK: .63 ZP	8
8	1032509	BOLT-HEX: .63 X 1.00 NC GR5 ZP	8
9	53642	U-JOINT	5
10	57934	SHAFT-DRIVE LH SHORT	1
11	57935	SHAFT-DRIVE LH LONG	1
12	69128	FTG-ADAPTER: 8MP-8MP 4" LONG	2
13	55730	FTG-ADAPTER: 8FP-8FP	2
14	64408	VENT PLUG .50	2
15	50152	KEY .38 X .38 X 2.00	11
16	56819	SHAFT-DRIVE 6R	1
17	57924	SHAFT-DRIVE: 72.50	1
18	57925	COUPLER-DRIVE BLACK	1
19	1030709	SCREW-SET: C-P .38 X 0.75 NC GR8	12
20	1013519	NUT-JAM: .38 NC GR2 ZP	22
21	1030708	SCREW-SET: C-P .38 X 1.00 NC GR8	10
22	56775	SPLINE SHAFT	1
23	52405	BEARING-PILLOW 1.75	1
24	1017708	BOLT-HEX: .50 X 2.25 NC GR5 ZP	2
25	1014443	WASHER-FLAT: .50 ZP	2
26	1027461	NUT-TOPLOCK: .50 NC GR5 ZP	10
27	52404	BEARING-FLANGE 1.75	2
28	1011608	BOLT-HEX: .50 X 1.75 NC GR5 ZP	8
29	63702	PLATE-ADAPTER SAE 'B' PUMP	1
30	63690	PUMP-EATON 2.33 CID, .88-13 SAE B	1
	64420	SEAL KIT FOR 63690	
31	1011581	WASHER-LOCK: .50 ZP	2
32	1011607	BOLT-HEX: .50 X 1.50 NC GR5 ZP	2
33	50335	HUB Q1 1.75	1
34	56647	SHEAVE 6TB68	1
	56646	SHEAVE 6TB62	1
	53668	SHEAVE 6TB56	1
35	53641	HUB P1 1.75	1
36	62034	SPROCKET H80-P12	1
37	58290	PIN-ROLL: .25 X 2.25 NP	2

CONTINUED



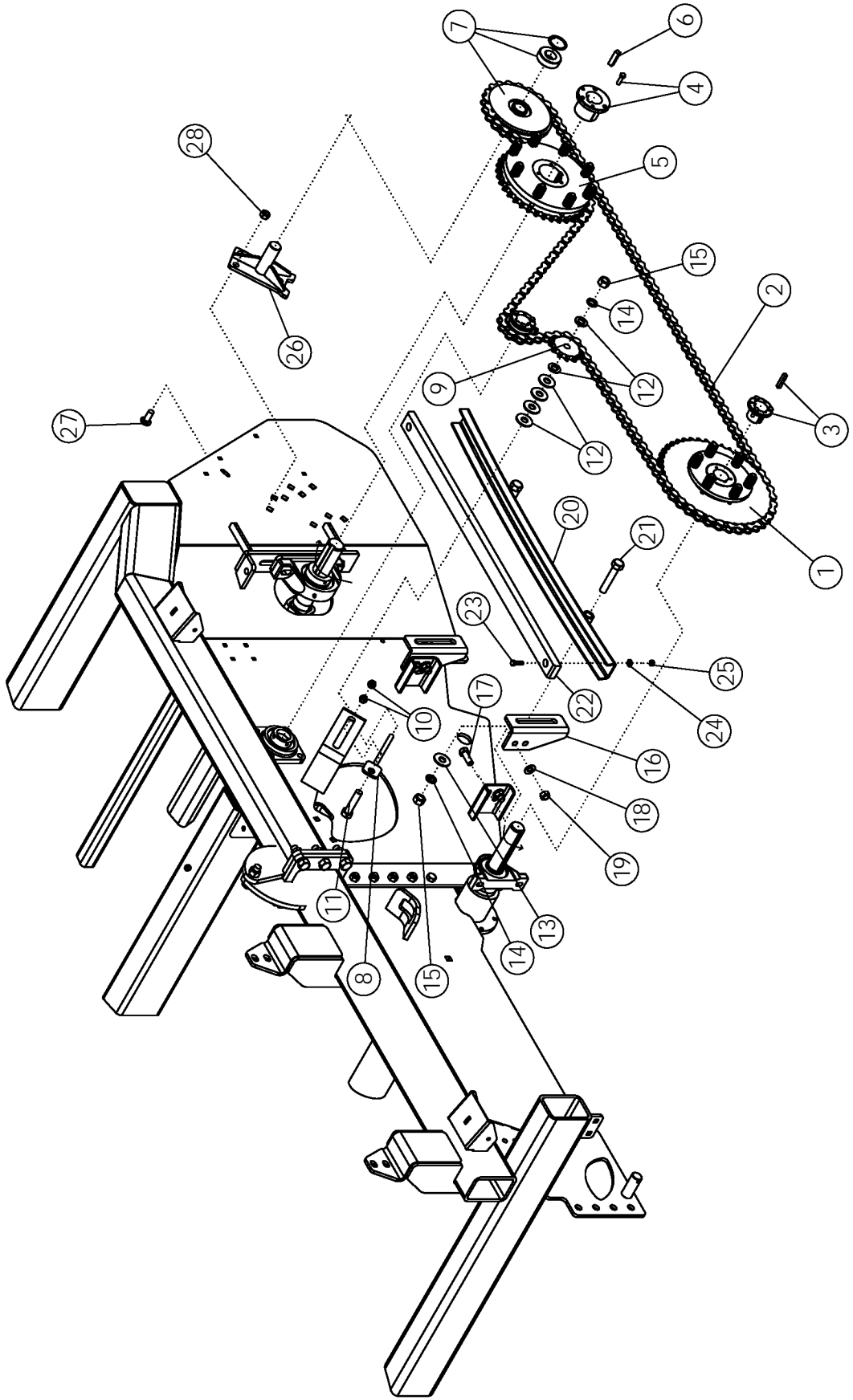
MAIN DRIVE: ONBOARD OPTION(CONTINUED)

ITEM	PART NO.	DESCRIPTION	QTY
38	58396	KEY .31 X .31 X 1.75	2
39	51480	PTO-CV 1.38" WEASLER (HRV)	1
	51481	PTO-CV 1.75" WEASLER (HRV)	
	64168	PTO-CV 38MM-8 WEASLER (HRV)	
40	1030704	BOLT-HEX: .63 X 3.25 NC GR8 ZP	2
41	64617R	DECAL-DANGER	2
42	52334R	DECAL-WARNING	2
43	52338R	DECAL-DANGER	4
44	52329R	DECAL-DANGER	2
45	64616R	DECAL-ENGAGE PTO	1
46	62964R	DECAL-WARNING	1
47	53747R	DECAL-DANGER	1
48	59614R	DECAL-CAUTION	1



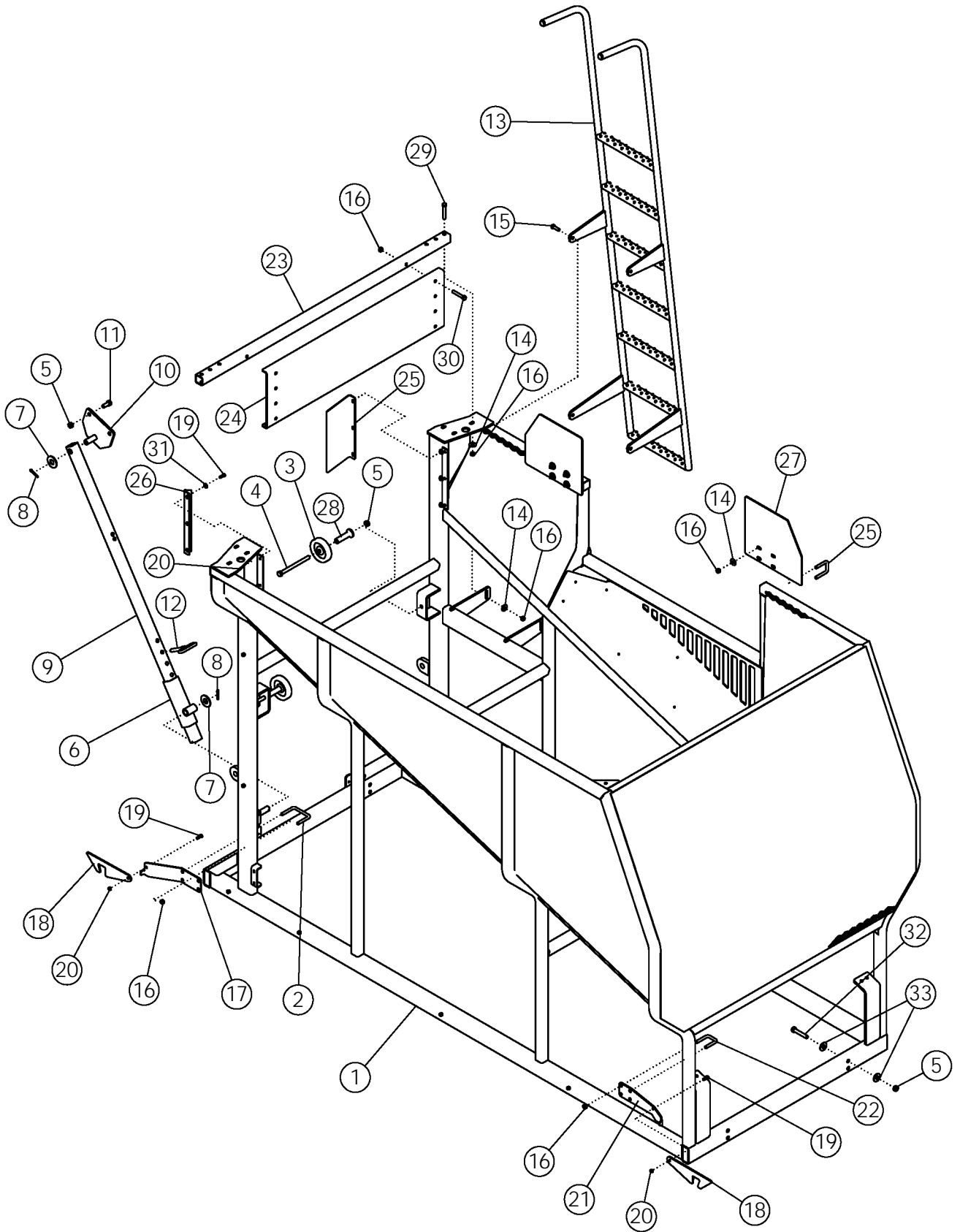
CLEANING ROLL DRIVE

ITEM	PART NO.	DESCRIPTION	QTY
1	56422	ASSY-SPINDLE & HUB	1
2	56711	ROD-PLATED	1
3	56646	SHEAVE 6TB62	4
4	56853	SPRING	1
5	56708	HOLDER-PLATED	1
6	56707	ADJUSTMENT ROD ZP	1
7	1011581	WASHER-LOCK: .50 ZP	1
8	1011609	BOLT-HEX: .50 X 2.00 NC GR5 ZP	1
9	1011577	NUT-HEX: .50 NC GR2 ZP	1
10	1011578	NUT-HEX: .63 NC GR2 ZP	3
11	57933	WLDMT- IDLER (with flange)	1
12	50387	WLDMT-IDLER	1
13	56396	WLDMT-PULLEY 6R	2
14	50335	HUB Q1 1.75	5
15	50152	KEY .38 X .38 X 2.00	5
16	57995	KEY .50 X .50 X 2.00	1
17	56406	ASSY-IDLER PULLEY 6R	1
18	53649	SPROCKET H60-P20	2
19	62106	SPROCKET H60-P19	1
20	53641	HUB P1 1.75 (WITH KEY)	3
21	1013024	WASHER-FLAT: .63 ZP	7
22	1016969	NUT-TOPLOCK: 1.00 NC GR5 ZP	2
23	1015558	BOLT-HEX: .50 X 1.00 NF GR5 ZP	4
24	50385	HUB Q1 2.00	1
25	1019827	PIN-COTTER: .19 X 1.00 NP	1
26	1011624	BOLT-HEX: .63 X 3.00 NC GR5 ZP	1
27	53651	7348-2 SPROCKET IDLER	1
28	1011813	WASHER-LOCK: .63 ZP	1
29	58165	CHAIN-ROLLER 60H-1R-052	1
30	56648	V-BELT 6B195	1
31	50940	BUSHING	4



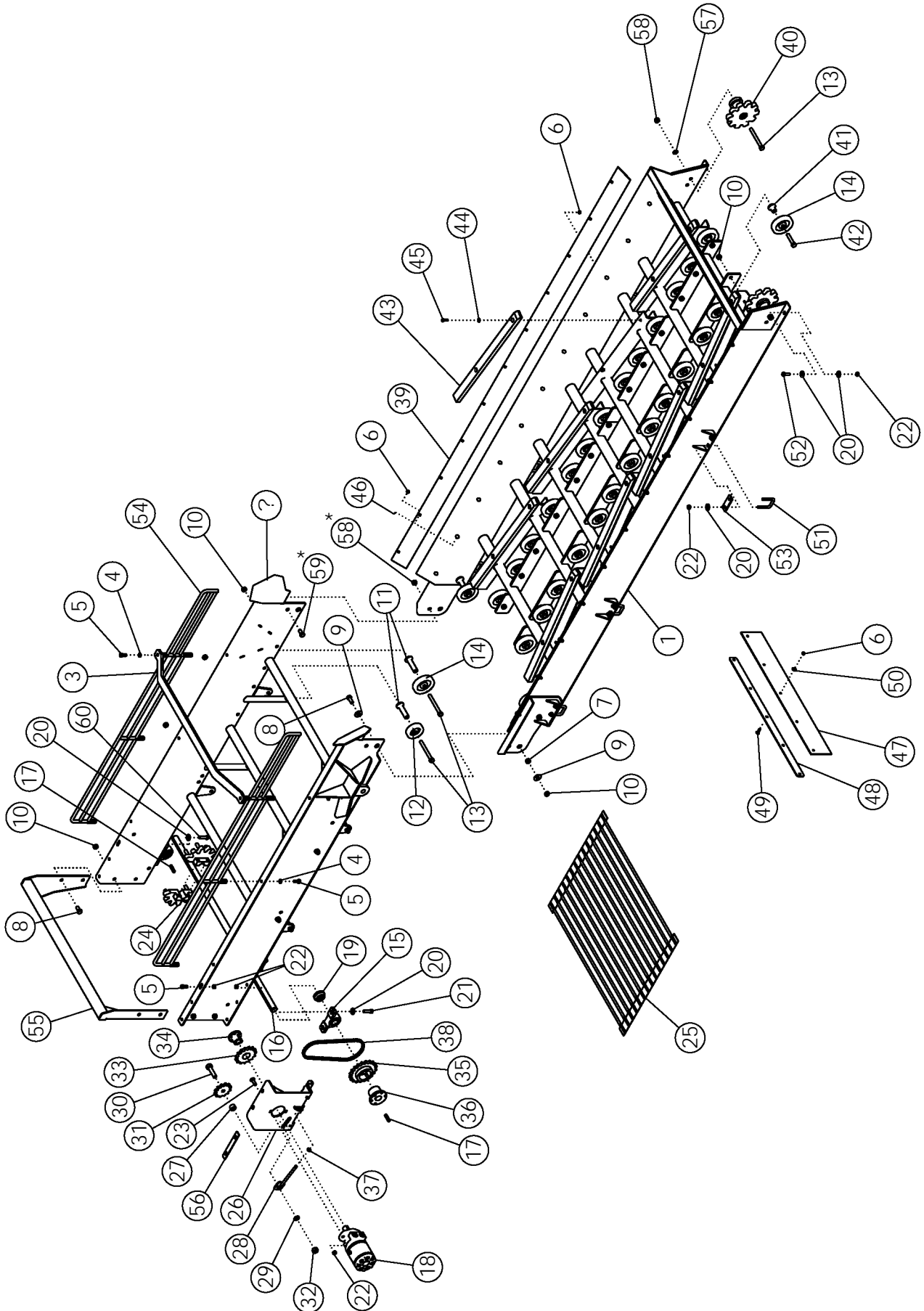
APRON/PADDLE SHAFT DRIVE

ITEM	PART NO.		QTY
1	58335	SPROCKET-CLUTCH 80P45 PRESET	1
2	63578	CHAIN-ROLLER 80H-1R-176	1
3	53641	HUB P1 1.75 (WITH .38 X 2.00 KEY)	1
4	50385	HUB Q1 2.00	1
5	57993	SPROCKET-CLUTCH 80Q36 PRESET	1
	69630	SPROCKET-CLUTCH 80Q51 PRESET (PLASTIC PADDLE)	
6	57995	KEY .50 X .50 X 2.00	1
7	56851	SPROCKET-IDLER H8025 X 1.44	1
8	56864	WLDMT-ADJUSTER	1
9	56334	SPROCKET-IDLER 8012	1
10	1011577	NUT-HEX: .50 NC GR2 ZP	2
11	1032271	BOLT-HEX: .75 X 3.25 NC GR5 ZP	1
12	1012634	WASHER-FLAT: SAE .75 ZP	6
13	1030702	WASHER-FLAT: .75 ZP	2
14	1012061	WASHER-LOCK: .75 ZP	3
15	1011620	NUT-HEX: .75 NC GR5 ZP	3
16	57804	MOUNT	2
17	1013918	BOLT-HEX: .63 X 1.75 NC GR5 ZP	4
18	1013004	WASHER-FLAT: SAE .63 ZP	4
19	1016595	NUT-TOPLOCK: .63 NC GR5 ZP	4
20	57853	WLDMT-SUPPORT	1
21	1011625	BOLT-HEX: .75 X 4.00 NC GR5 ZP	2
22	57827	SLIDE-CHAIN	1
23	1011601	BOLT-HEX: .38 X 1.25 NC GR5 ZP	2
24	1014608	WASHER-FLAT: SAE .38 ZP	2
25	1016999	NUT-TOPLOCK: .38 NC GR5 ZP	2
26	69625	WLDMT-IDLER PADDLE SHAFT	1
27	72063	BOLT-CRG: .63 X 1.50 NC GR5 ZP	3
28	1016595	NUT-TOPLOCK: .63 NC GR5 ZP	3



TANK ASSEMBLY

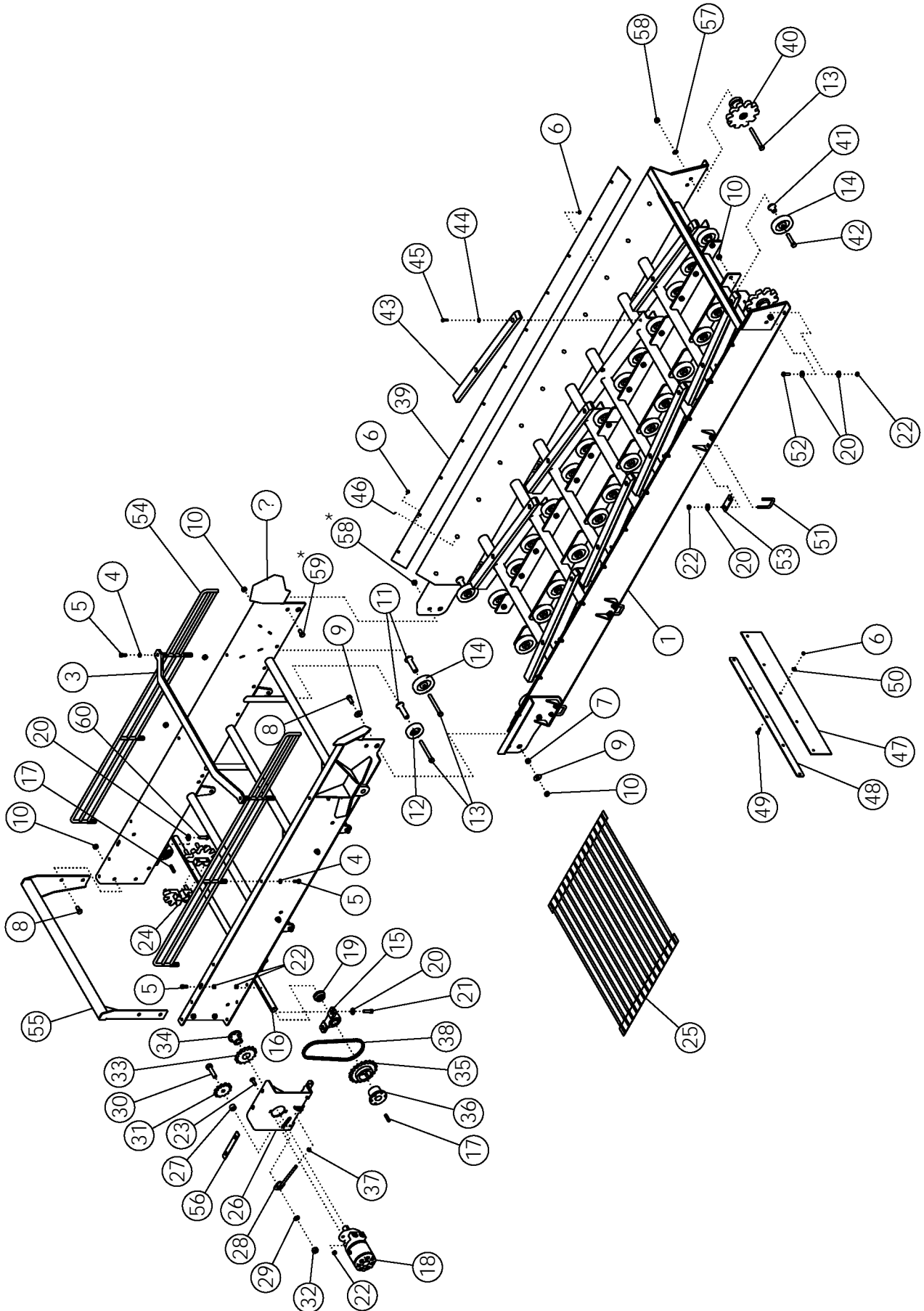
ITEM	PART NO.	DESCRIPTION	QTY
1	64724	WLDMT-TANK 6R	1
2	54653	U-BOLT: .50 X 3.25 X 4.00 X 3.25	2
3	53825	BOGIE WHEEL 5"	2
4	1013068	BOLT-HEX: .63 X 6.00 NC GR5 ZP	2
5	1016595	NUT-TOPLOCK: .63 NC GR5 ZP	10
6	54788	WLDMT-LOCK SLIDE	2
7	1020685	WASHER-FLAT: 1.00	4
8	1016944	PIN-COTTER: .25 X 2.00 ZP	4
9	56836	TUBE-LOCK	2
10	54785	WLDMT-LOCK BRACKET	2
11	1014349	BOLT-HEX: .63 X 1.50 NC GR5 ZP	4
12	1030947	PIN-HITCH: .63 X 4.00 ZP W/HAIRPIN	2
13	64739	ASSY-LADDER & DECALS	1
14	1014443	WASHER-FLAT: .50 ZP	16
15	1011607	BOLT-HEX: .50 X 1.50 NC GR5 ZP	4
16	1027461	NUT-TOPLOCK: .50 NC GR5 ZP	26
17	64573	PLATE-LATCH RH	1
18	51332	LATCH-DOOR	2
19	1011600	BOLT-HEX: .38 X 1.00 NC GR5 ZP	8
20	1016999	NUT-TOPLOCK: .38 NC GR5 ZP	8
21	64572	PLATE-LATCH LH	1
22	65658	U-BOLT: .50 X 3 X 2.06 X 3	6
23	64749	TUBE-STRIKER	1
24	64574	PLATE-STRIKER	1
25	64746	PLATE-TANK TO BOOM REAR	1
26	64747	PLATE-TANK TO BOOM FRONT	1
27	57917	PLATE-EXTENSION	2
28	64192	STAND-OFF 4"	2
29	1017719	BOLT-HEX: .50 X 3.25 NC GR5 ZP	4
30	1011611	BOLT-HEX: .50 X 3.00 NC GR5 ZP	2
31	1011828	WASHER-FLAT: .38 ZP	6
32	1014000	BOLT-HEX: .63 X 3.50 NC GR5 ZP	8
33	1013024	WASHER-FLAT: .63 ZP	16



ELEVATOR AND BOOM ASSEMBLY

ITEM	PART NO.	DESCRIPTION	QTY
1	64725	WLDMT-ELEVATOR 6R	1
2	53450	WLDMT-ELEVATOR BOOM	1
3	54803	CROSS BRACE-BOOM	1
4	1011581	WASHER-LOCK: .50 ZP	8
5	1011606	BOLT-HEX: .50 X 1.25 NC GR5 ZP	10
6	1016999	NUT-TOPLOCK: .38 NC GR5 ZP	43
7	53449	SLEEVE-HINGE	2
8	1014349	BOLT-HEX: .63 X 1.50 NC GR5 ZP	6
9	1013024	WASHER-FLAT: .63 ZP	4
10	1016595	NUT-TOPLOCK: .63 NC GR5 ZP	44
11	64192	STAND OFF: .63 X 4.00	12
12	53854	BOGIE WHEEL 4"	4
13	1013068	BOLT-HEX: .63 X 6.00 NC GR5 ZP	14
14	53825	BOGIE WHEEL 5"	34
15	52405	BEARING-PILLOW 1.75	2
16	68650	SHAFT HEAD 1.75	1
17	50152	KEY .38 X .38 X 2.00	3
18	57686	MOTOR-HYDRAULIC 32.3IN ³ /REV	1
19	52382	SEAL PROTECTOR 1.75	2
20	1014443	WASHER-FLAT: .50 ZP	24
21	1017708	BOLT-HEX: .50 X 2.25 NC GR5 ZP	2
22	1027461	NUT-TOPLOCK: .50 NC GR5 ZP	22
23	1011660	BOLT-CRG: .50 X 1.50 NC GR5 ZP	2
24	68659	SPROCKET-SPLIT 50MM-12T	2
25	68075	BELT-50MM .50 X 42 X 238LPR	1
26	64627	WLDMT-REDUCTION MOUNT	1
27	58086	SPACER-CHAIN IDLER ZP	1
28	63876	TENSIONER ZP	1
29	1012061	WASHER-LOCK: .75 ZP	1
30	1012059	BOLT-HEX: .75 X 3.00 NC GR5 ZP	1
31	56334	SPROCKET-IDLER 8012	1
32	1011620	NUT-HEX: .75 NC	1
33	64155	SPROCKET H80-P15	1
34	53719	HUB P1 1.25	1
35	56650	SPROCKET H80-Q20	1
36	50335	HUB Q1 1.75	1
37	1011591	NUT-JAM: .50 NC ZP	2
38	64654	CHAIN-ROLLER 80H-1R-038	1
	64675	LINK OFFSET 80H	AR
39	64550	BELT PROTECTOR	2
40	63813	SPROCKET-IDLER 50MM 10T	2

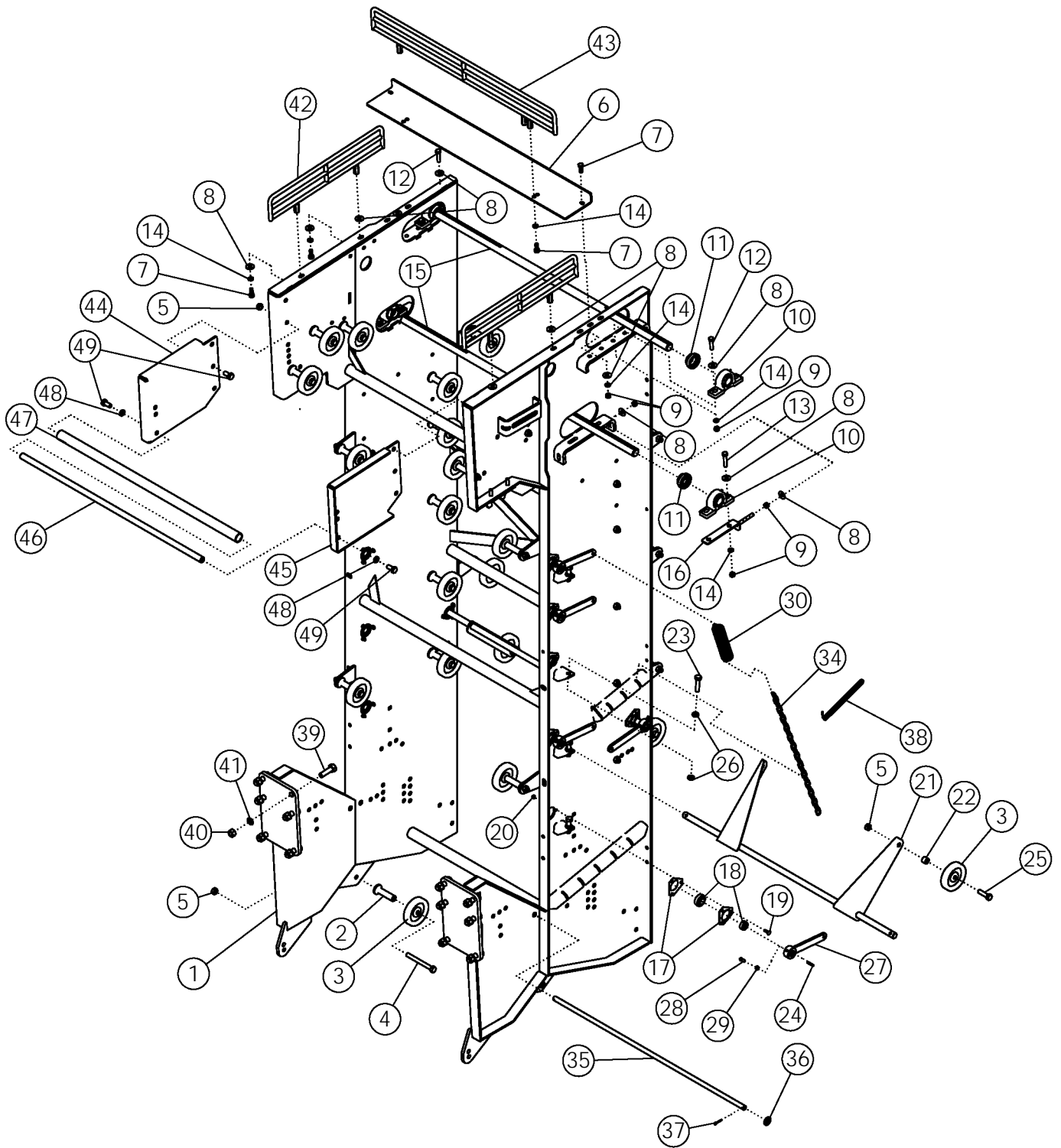
CONTINUED



ELEVATOR AN DBOOM (CONTINUED)

ITEM	PART NO.	DESCRIPTION	QTY
41	58971	STAND OFF 1.50"	26
42	65825	BOLT-HEX: .63 X 3.25 NC GR5 ZP	26
43	56774	PLASTIC SLIDE	8
44	1014608	WASHER-FLT: SAE .38 ZP	16
45	1011601	BOLT-HEX: .38 X 1.25 NC GR5 ZP	16
46	59488	BOLT-CRG: .38 X 1.00 NC GR5 ZP	22
47	64609	FLAP-ELEVATOR	1
48	64608	STRIP-BOLTING	1
49	1016362	BOLT-CRG: .38 X 1.25 NC GR5 ZP	5
50	1011828	WASHER-FLAT: .38 ZP	27
51	65658	U-BOLT: .50 X 3 X 2.06 X 3	6
52	1011607	BOLT-HEX: .50 X 1.50 NC GR5 ZP	2
53	64748	PLATE-ELEVATOR BACKING	4
54	64744	WLDMT-BOOM EXTENSION	2
55	64578	WLDMT-BOOM END SUPPORT	1
56	64732	PLATE-SHIM	AR
57	1011813	WASHER-LOCK: .63 ZP	2
58	1011578	NUT-HEX: .63 NC GR2 ZP	4
59	1032509	BOLT-HEX: .63 X 1.25 NC GR5 ZP	6
60	1011608	BOLT-HEX: .50 X 1.75. NC GR5 ZP	2

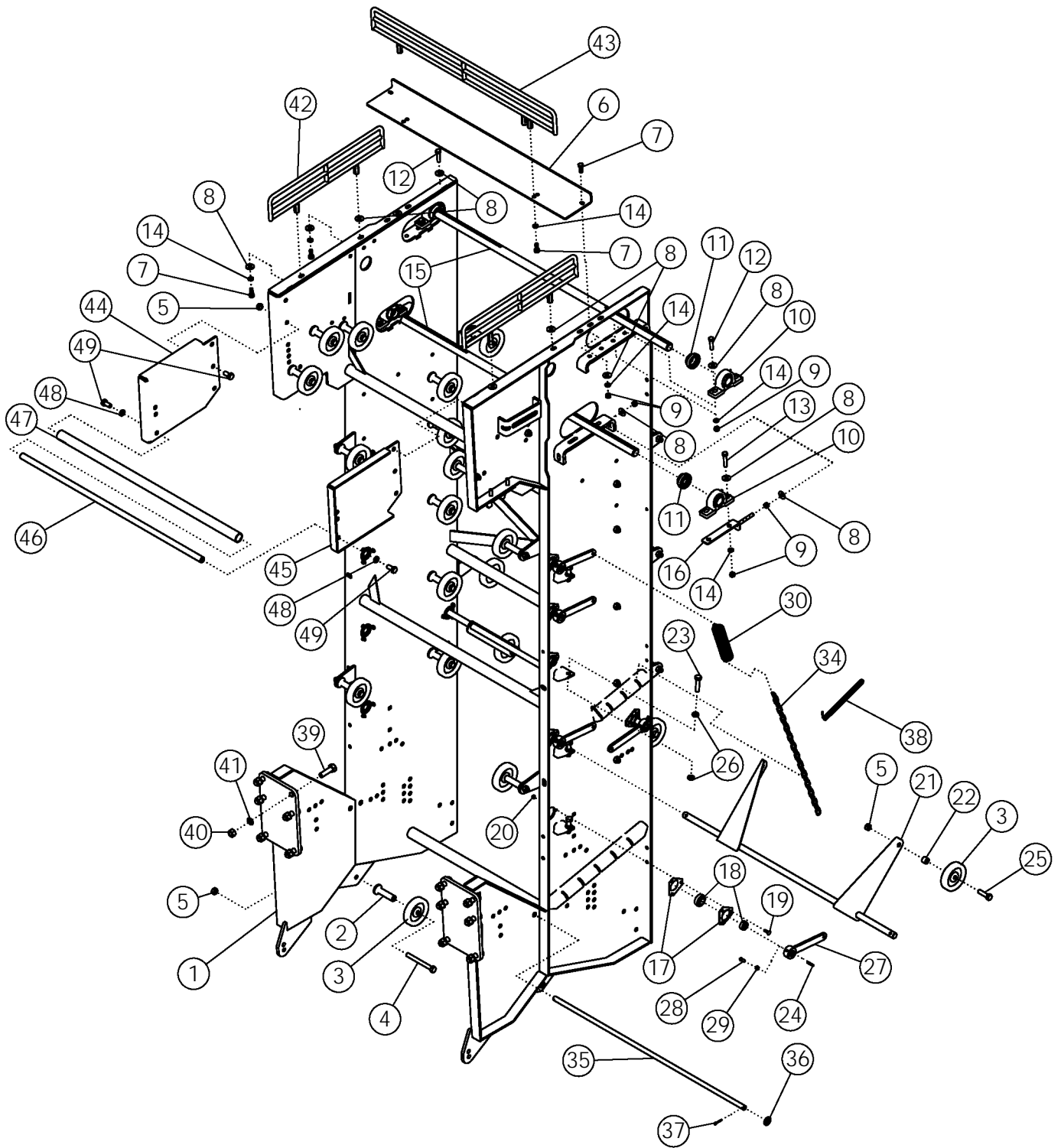
*Assembly Purposes Only



REAR SCRUB

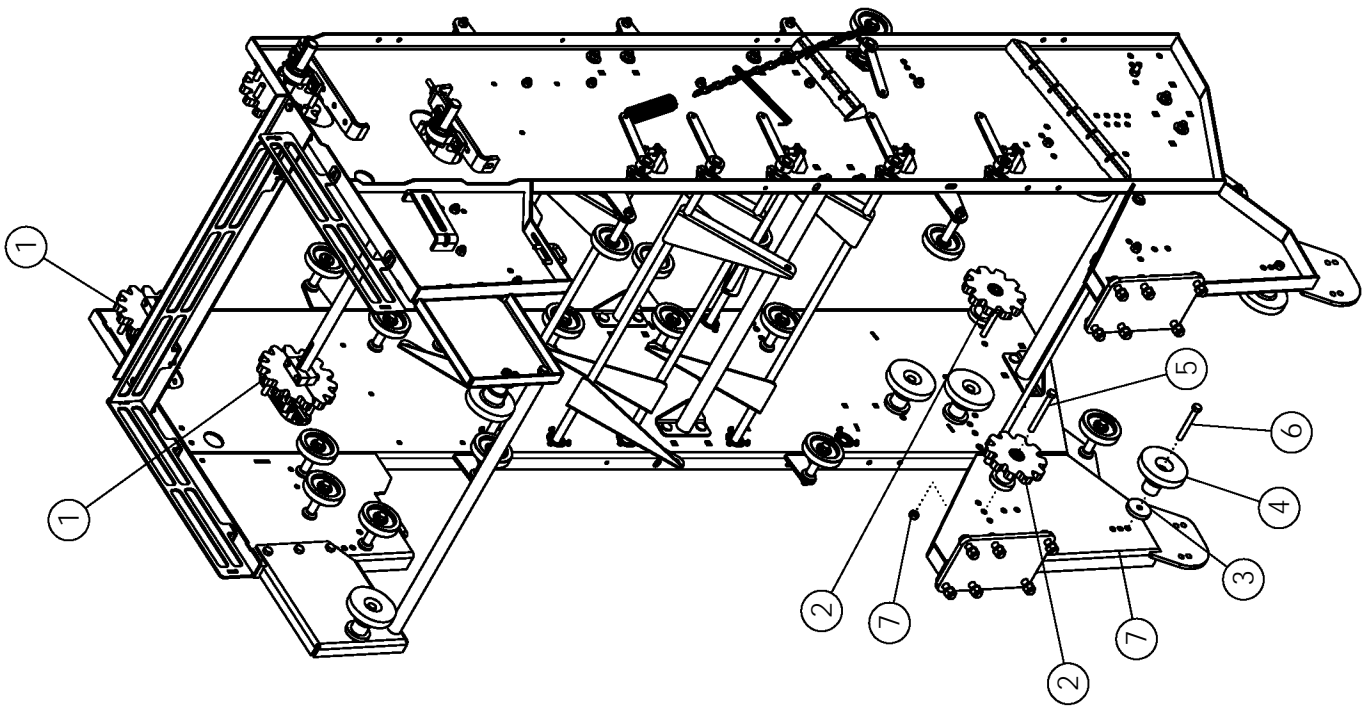
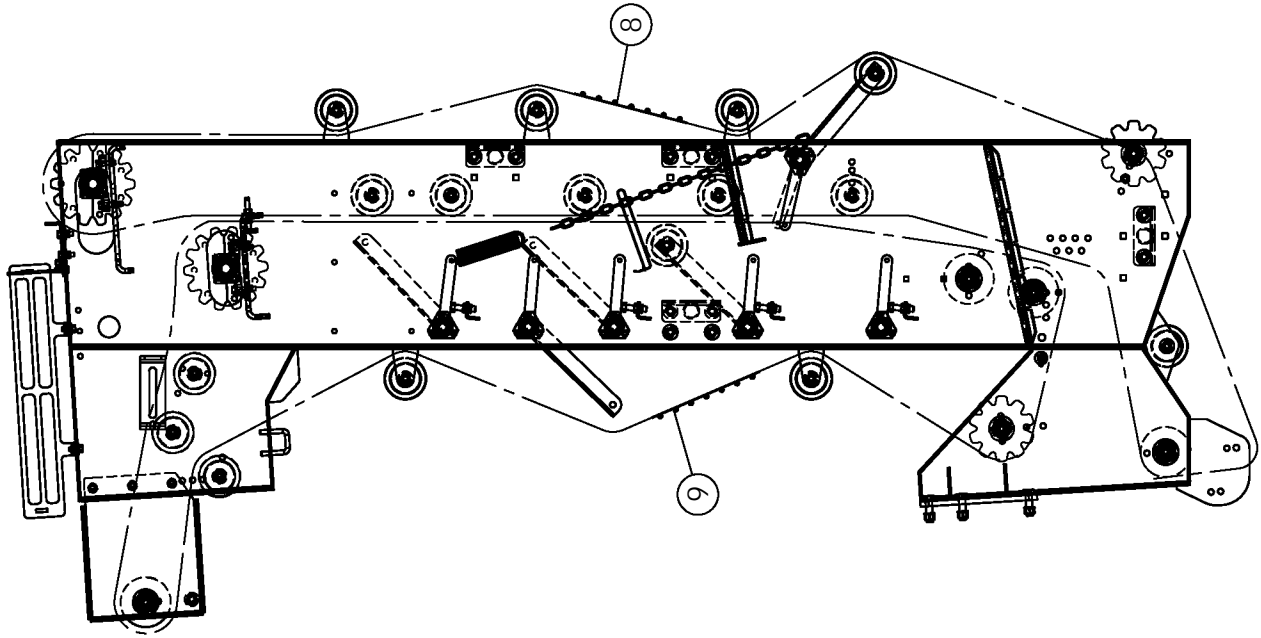
ITEM	PART NO.	DESCRIPTION	QTY
1	57911	WLDMT-REAR SCRUB	1
2	64192	STAND OFF	28
3	53825	BOGIE WHEEL 5"	40
4	1013068	BOLT-HEX: .63 X 6.00 NC GR5 ZP	28
5	1016595	NUT-TOPLOCK: .63 NC GR5 ZP	46
6	57916	BAR-STRIPPER	1
7	1011606	BOLT-HEX: .50 X 1.25 NC GR5 ZP	8
8	1014443	WASHER-FLAT: .50 ZP	22
9	1011577	NUT-HEX: .50 NC GR2 ZP	14
10	52405	PILLOW BLOCK BEARING 1.75	4
11	52382	SEAL PROTECTOR 1.75	4
12	1011609	BOLT-HEX: .50 X 2.00 NC GR5 ZP	4
13	1011610	BOLT-HEX: .50 X 2.50 NC GR5 ZP	4
14	1011581	WASHER-LOCK: .50 ZP	16
15	68650	SHAFT - HEAD 1.75	2
16	68655	TIGHTENER-ZP	2
17	53945	TRIANGLE FLANGETTE	24
18	53944	BEARING-INSERT 1" WITH LOCKING COLLAR	12
19	1017255	BOLT-CRG: .31 X 1.00 NC GR5 ZP	36
20	1030700	NUT-TOPLOCK: .31 NC GR5 ZP	36
21	53401	WLDMT-PENDULUM	6
22	64253	SPACER ZP	12
23	1017526	BOLT-HEX: .63 X 2.25 NC GR5 ZP	8
24	54638	KEY .25 X .25 X 1.38	12
25	1013023	BOLT-HEX: .63 X 2.50 NC GR5 ZP	12
26	1026259	NUT-JAM: .63 NC GR2 ZP	16
27	50718	ARM-ZP	12
28	50813	SCREW-SET: SQ HD .38 X 1.00 ZP	12
29	1013519	NUT-JAM: .38 NC GR2 ZP	12
30	53159	SPRING	12
31	57937	CHAIN-LINK: .19 X 8.00 (NOT SHOWN)	4
32	57938	CHAIN-LINK: .19 X 20.00 (NOT SHOWN)	2
33	57939	CHAIN-LINK: .19 X 24.00 (NOT SHOWN)	4
34	57940	CHAIN-LINK: .19 X 30.00	2
35	62896	ROD-SCRUB CLEANER	1
36	1012634	WASHER-FLAT: SAE .75 ZP	2
37	1011984	PIN-COTTER: .16 X 1.50 ZP	2
38	1017248	TIE, CABLE	4
39	1016598	BOLT-HEX: .75 X 2.50 NC GR5 ZP	12
40	1011620	NUT-HEX: .75 NC GR2 ZP	12

CONTINUED



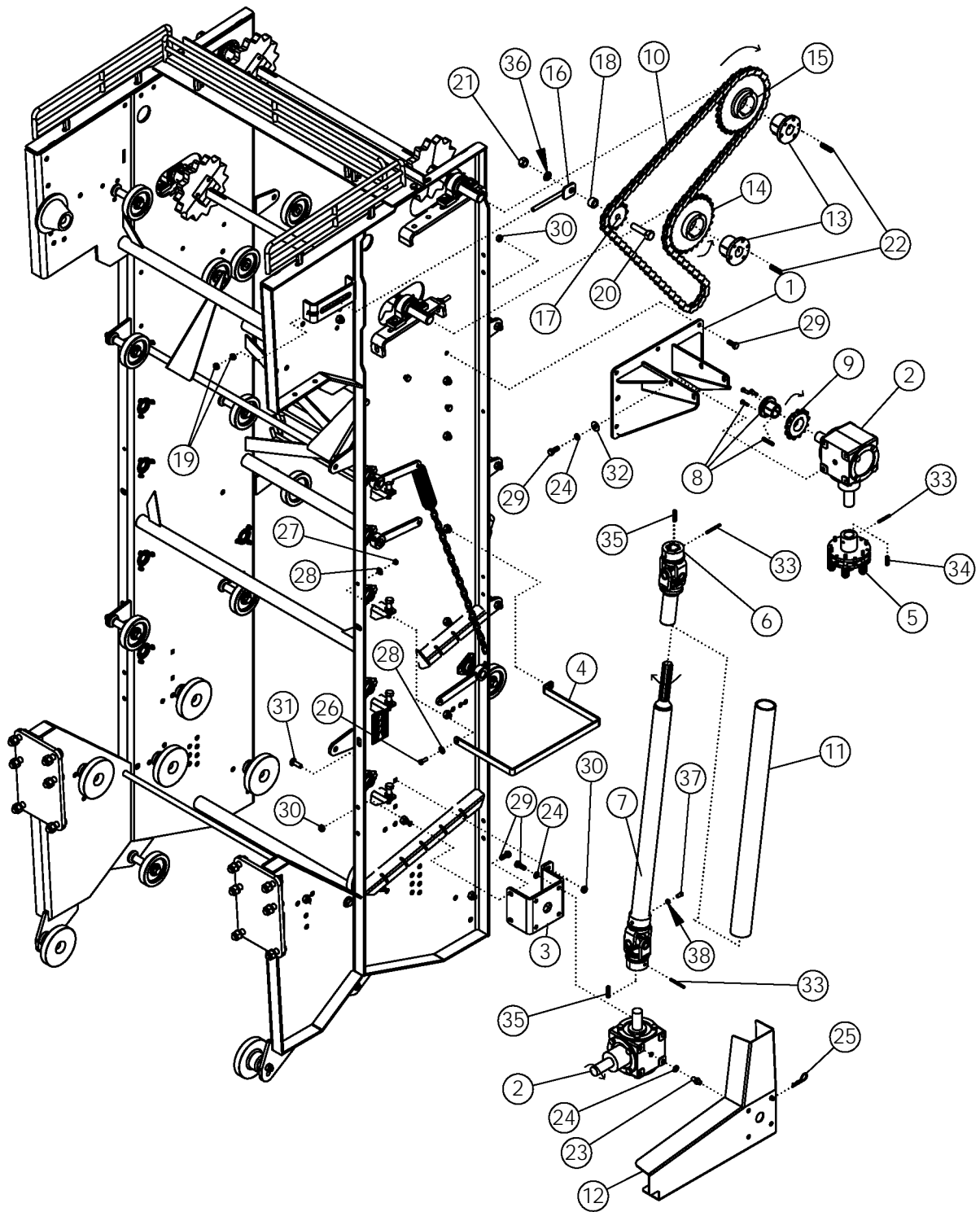
REAR SCRUB (CONTINUED)

ITEM	PART NO.	DESCRIPTION	QTY
41	1012061	WASHER-LOCK: .75 ZP	12
42	58900	WLDMT-SCRUB EXT.-SIDE	2
43	58898	WLDMT-SCRUB EXT-REAR	1
44	54805	REAR SCRUB EXTENSION RH	1
45	54778	REAR SCRUB EXTENSION LH	1
46	56754	PIPE-THREADED	1
47	56773	PIPE-PLASTIC	1
48	1011813	WASHER-LOCK: .63 ZP	2
49	1032509	BOLT-HEX: .63 X 1.25 NC GR5 ZP	8



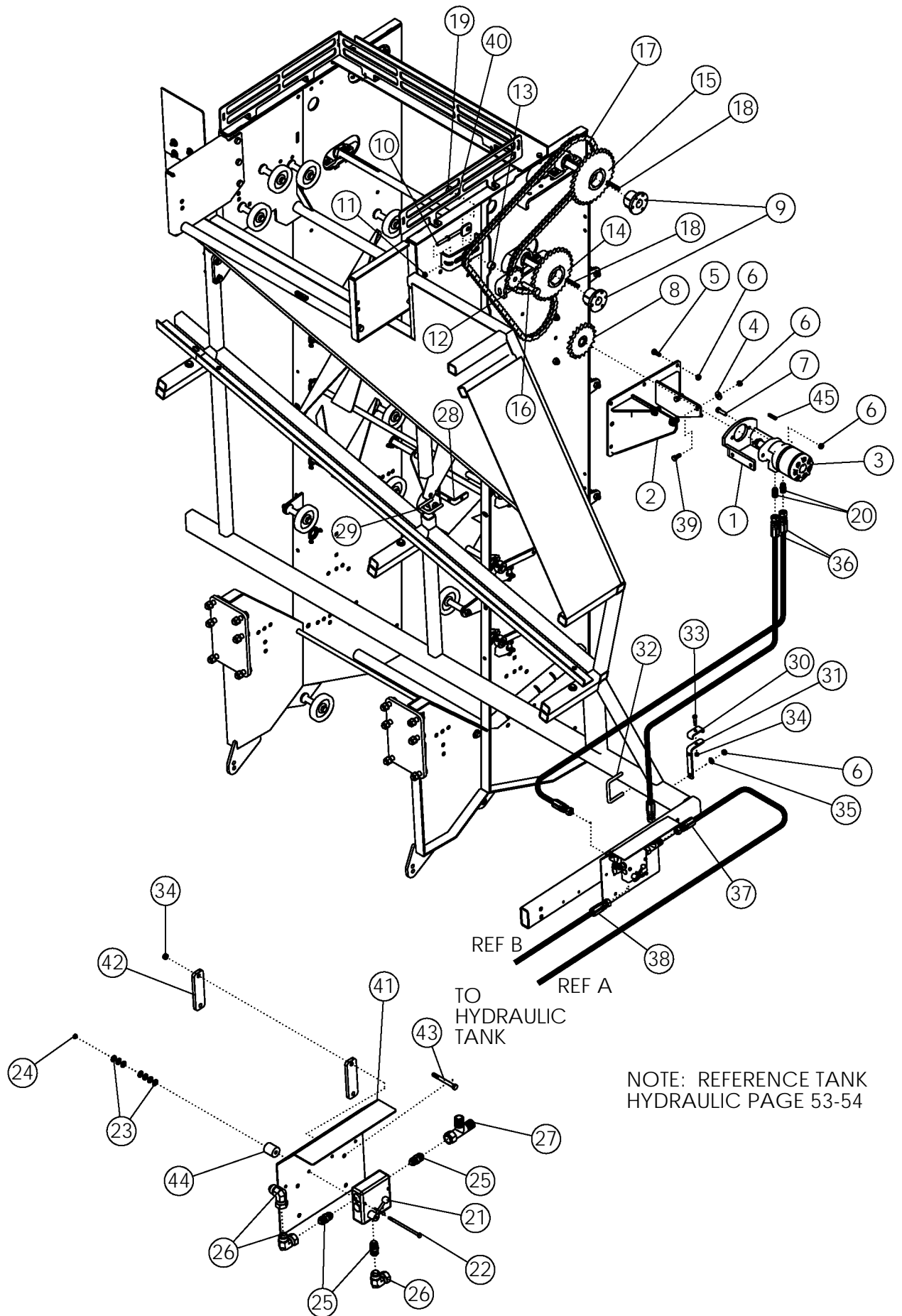
REAR SCRUB: BELTED CHAIN 50 MM

ITEM	PART NO.	DESCRIPTION	QTY
1	68657	SPROCKET-SPLIT 50MM 14T 1.75	4
2	63813	SPROCKET-IDLER 50MM 10T	4
3	62932	PLATE-SHIM .50	8
4	54042	ROLLER-STEP 6"	8
5	1013068	BOLT-HEX: .63 X 6.00 NC GR5 ZP	4
6	1013816	BOLT-HEX: .63 X 5.00 NC GR5 ZP	8
7	1016595	NUT-TOPLOCK: .63 NC GR5 ZP	12
8	63815	BELT-50MM 1/2 X 42 X 175 LPR	1
9	63814	BELT-50MM 1/2 X 42 X 154 LPR	1



REAR SCRUB DRIVE: GEARBOX

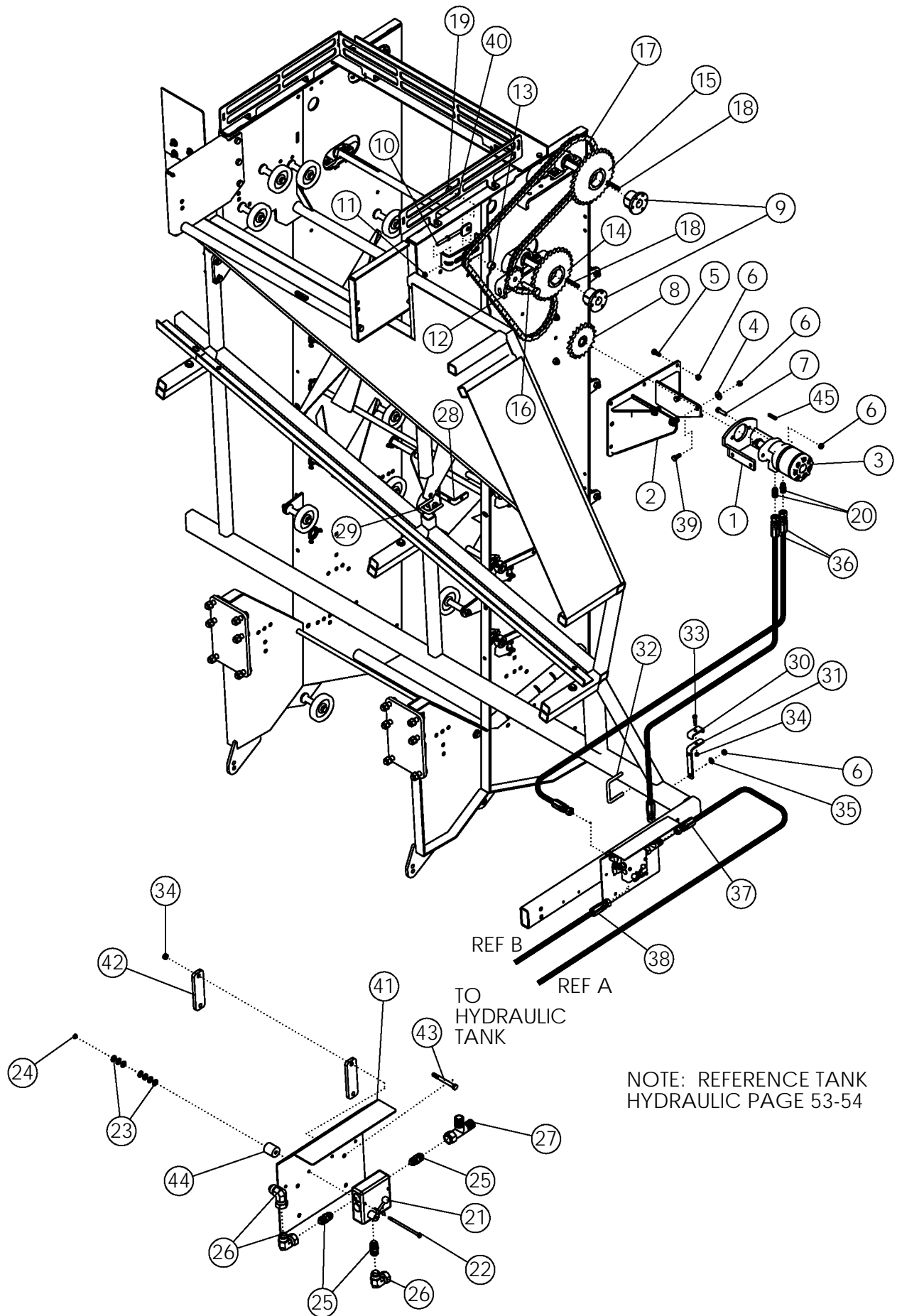
ITEM	PART NO.	DESCRIPTION	QTY
1	62103	WLDMT-GEARBOX MOUNT	1
2	63848	GEARBOX-PRAIRIE (1:1.35) 6001	2
3	59432	PLATE-MOUNT	1
4	58456	BAR-GUARD	1
5	57926	CLUTCH-SLIP	1
6	57925	COUPLER-DRIVE	1
7	57923	SHAFT-DRIVE: 49.25"	1
8	57943	HUB P1 1.38	1
9	56339	SPROCKET H80-P13	1
10	63549	CHAIN-ROLLER 80-1R-110	1
11	58015	SLEEVE-PLASTIC	1
12	57894	WLDMT-SHIELD	1
13	50335	HUB Q1 1.75	2
14	57941	SPROCKET H80-Q27	1
15	57942	SPROCKET H80-Q29	1
16	63876	TENSIONER ZP	1
17	56334	SPROCKET-IDLER 8012	1
18	58086	SPACER-CHAIN IDLER ZP	1
19	1011577	NUT-HEX: .50 NC GR2 ZP	2
20	1012059	BOLT-HEX: .75 X 3.00 NC GR5 ZP	1
21	1011620	NUT-HEX: .75 NC GR5 ZP	1
22	50152	KEY .38 X .38 X 2.00	2
23	59106	STUD-SCRUB SHIELD ZP	4
24	1011581	WASHER-LOCK: .50 ZP	12
25	53687	PIN-HAIR: .14 X 1.94 ZP	4
26	1011600	BOLT-HEX: .38 X 1.00 NC GR5 ZP	1
27	1016999	NUT-TOPLOCK: .38 NC GR5 ZP	1
28	1011828	WASHER-FLAT: .38 ZP	2
29	1011606	BOLT-HEX: .50 X 1.25 NC GR5 ZP	15
30	1027461	NUT-TOPLOCK: .50 NC GR5 ZP	9
31	1011660	BOLT-CRG: .50 X 1.50 NC GR5 ZP	2
32	1014443	WASHER-FLAT: .50 ZP	4
33	58290	PIN-ROLL: .25 X 2.25 NP	3
34	58397	KEY .31 X .31 X 1.38	1
35	58396	KEY .31 X .31 X 1.75	2
36	1012061	WASHER-LOCK: .75 ZP	1
37	1030708	SCREW-SET: C-P .38 X .75 NC GR8	2
38	1013519	NUT-JAM: .38 NC GR2 ZP	2



REAR SCRUB DRIVE: SINGLE MOTOR

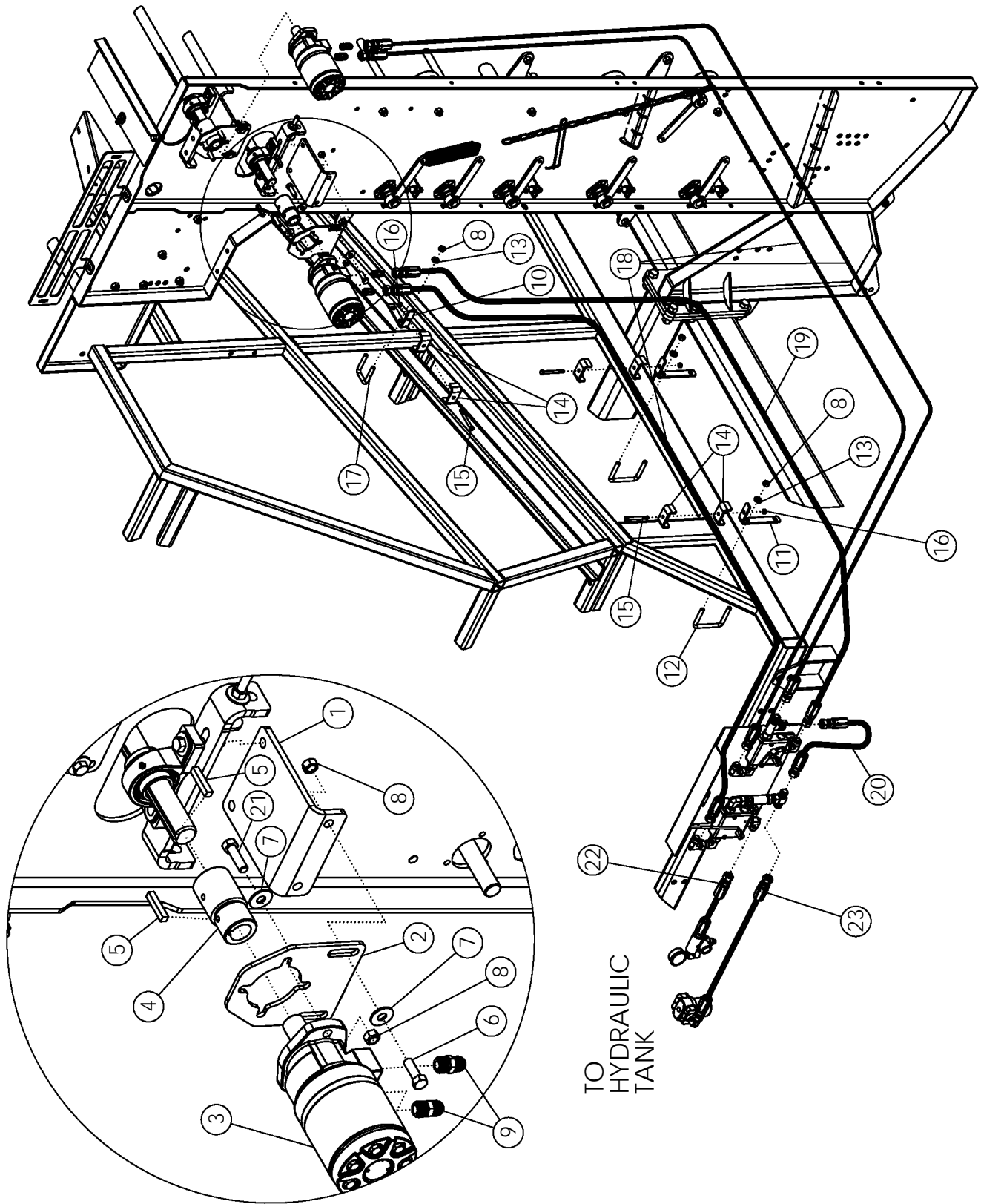
ITEM	PART NO.	DESCRIPTION	QTY
1	58102	WLDMT-MOTOR BRACKET	1
2	62103	WLDMT-GEARBOX MOUNT	1
3	58987	MOTOR-HYDRAULIC 20.6IN^3/REV	1
	57881	SEAL KIT FOR 58387	
4	1014443	WASHER-FLAT: .50 ZP	4
5	1011606	BOLT-HEX: .50 X 1.25 NC GR5 ZP	5
6	1027461	NUT-TOPLOCK: .50 NC GR5 ZP	17
7	1011608	BOLT-HEX: .50 X 1.75 NC GR5 ZP	2
8	62125	SPROCKET-8019X 1.25 BORE .313 KEY	1
9	50335	HUB Q1 1.75	2
10	63876	TENSIONER ZP	1
11	1011577	NUT-HEX: .50 NC GR2 ZP	2
12	56334	SPROCKET-IDLER 8012	1
13	58086	SPACER-CHAIN IDLER ZP	1
14	59051	SPROCKET H80-Q30	1
15	59052	SPROCKET H80-Q32	1
16	1012059	BOLT-HEX: .75 X 3.00 NC GR5 ZP	1
17	68784	CHAIN-ROLLER 80-1R-114	1
18	50152	KEY .38 X .38 X 2.00	2
19	1011620	NUT-HEX: .75 NC GR2 ZP	1
20	59043	FTG-ADAPTER: 10MB-12MJ	2
21	58985	VALVE-FLOW CONTROL- 3/4" FP	1
	64414	SEAL KIT FOR 58985	
22	1030766	BOLT-HEX: .25 X 4.00 NC GR5 ZP	2
23	1020416	WASHER-FLAT: .25 ZP	14
24	1030946	NUT-TOPLOCK: .25 NC GR5 ZP	2
25	59042	FTG-ADAPTER: 12MP-12MJ	3
26	59041	FTG-ELBOW: 12MJ-12FJX-90	3
27	59888	FTG-TEE: 12MJ-12FJX-12MJ	1
28	59184	BRACKET-HOSE ZP	1
29	65658	U-BOLT: .50 X 3.00 X 2.06 X 3.00	1
30	63753	CLAMP .75 ZP	3
31	59182	BRACKET-HOSE ZP	2
32	54653	U-BOLT: .50 X 3.25 X 4.00 X 3.25	2
33	59390	BOLT-HEX: .38 X 2.25 NC GR5 ZP	3
34	1016999	NUT-TOPLOCK: .38 NC GR5 ZP	7
35	1011584	WASHER-FLAT: SAE .50 ZP	6
36	59895	HOSE: .75 X 173 12FJX-12FJX (8R-FRAME)	2
	59036	HOSE: .75 X 152 12FJX-12FJX (6R-FRAME)	
37	59801	HOSE: .75 X 74 12FJX-12FJX	1
38	59035	HOSE: .75 X 66 12FJX-12FJX	1

CONTINUED



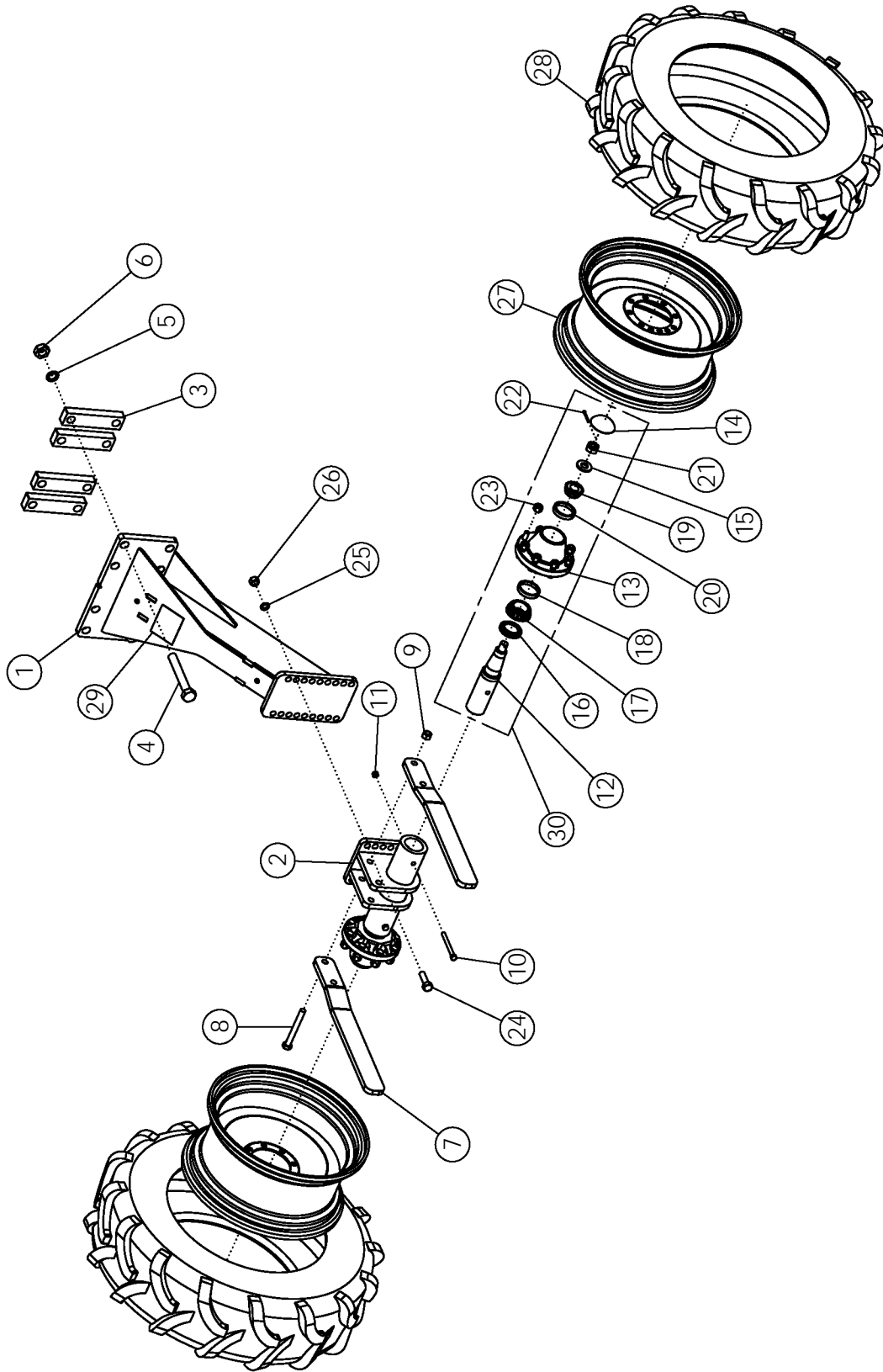
REAR SCRUB DRIVE: SINGLE MOTOR (CONTINUED)

ITEM	PART NO.	DESCRIPTION	QTY
39	1011607	BOLT-HEX: .50 X 1.50 NC GR5 ZP	4
40	1012061	WASHER-LOCK: .75 ZP	1
41	69020	WLDMT-BRACKET FLOW CONTROL	1
42	59881	BRACKET-BOLT PLATE	4
43	58176	BOLT-HEX: .38 X 3.50 NC GR5 ZP	4
44	59463	SPACER ZP	2
45	58396	KEY .313 X .313 X 1.750	1



REAR SCRUB DRIVE: DUAL MOTOR

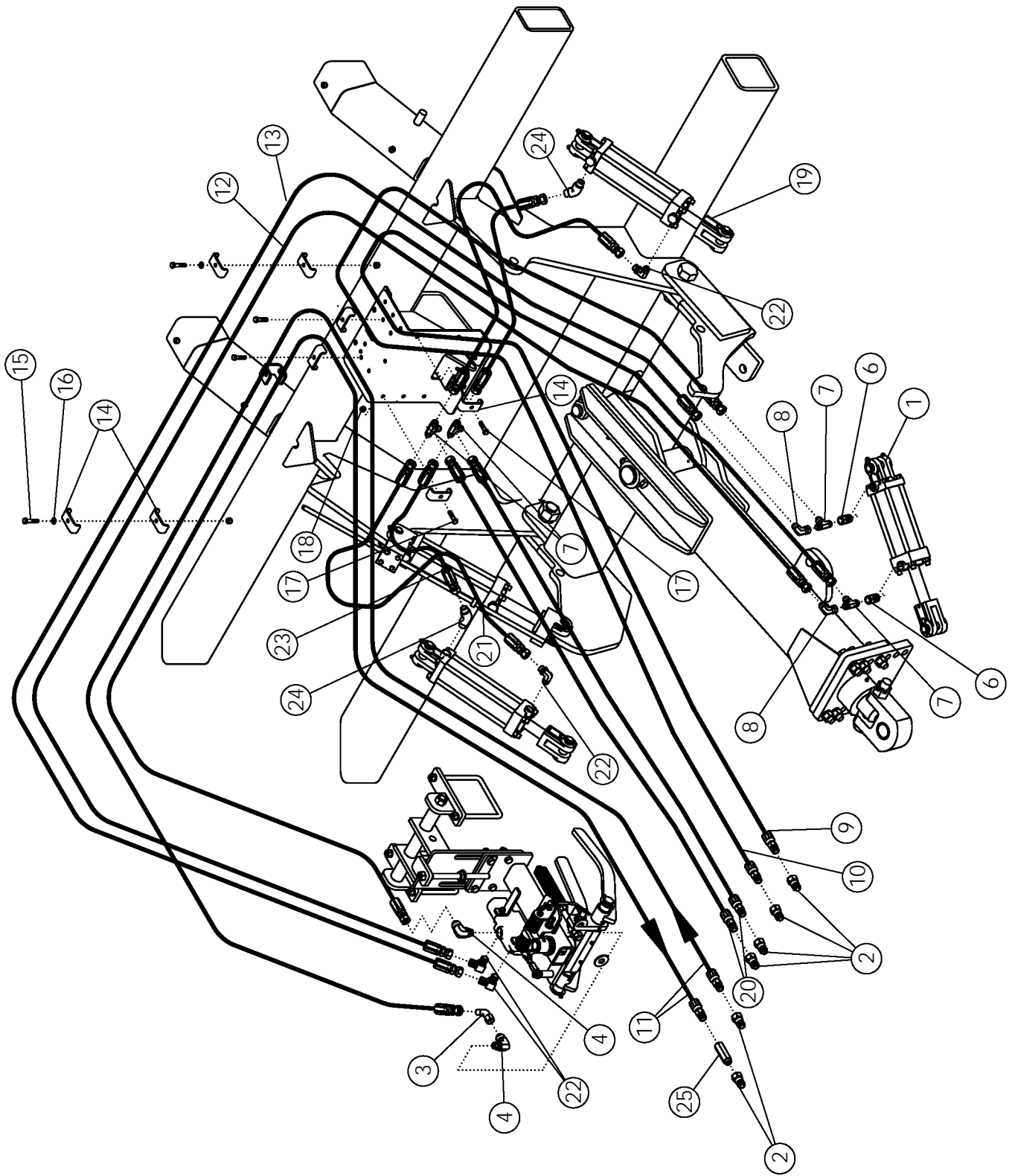
ITEM	PART NO.	DESCRIPTION	QTY
1	68654	PLATE	2
2	57843	PLATE-F.C.	2
3	57686	MOTOR-HYDRAULIC 32.3IN ³ /REV	2
	57880	SEAL KIT FOR 57686	
4	50770	COUPLING	2
5	50152	KEY .38 X .38 X 2.00	4
6	1011607	BOLT-HEX: .50 X 1.50 NC GR5 ZP	4
7	1014443	WASHER-FLAT: .50 ZP	8
8	1027461	NUT-TOPLOCK: .50 NC GR5 ZP	14
9	59043	FTG-ADAPTER: 10MB-12MJ	4
10	59184	BRACKET-HOSE ZP	1
11	59182	BRACKET-HOSE ZP	2
12	54653	U-BOLT: .50 X 3.25 X 4.00 X 3.25	2
13	1011584	WASHER-FLAT: SAE .50 ZP	6
14	63753	CLAMP-HOSE 3/4" ZP	6
15	58176	BOLT-HEX: .38 X 3.50 NC GR5 ZP	3
16	1016999	NUT-TOPLOCK: .38 NC GR5 ZP	3
17	53677	U-BOLT: .50 X 3 X 2 X 3	1
18	59068	HOSE: .75 X 144 12FJX-12FJX	3
19	59069	HOSE: .75 X 138 12FJX-12FJX	1
20	63473	HOSE: .75 X 19 12FJX-12FJX	1
21	1011608	BOLT-HEX: .50 X 1.75 NC GR5 ZP	4
22	59035	HOSE: .75 X 66 12FJX-12FJX	1
23	59801	HOSE: .75 X 74 12FJX-12FJX	1



REAR STRUTS

ITEM	PART NO.	DESCRIPTION	QTY
1	69206	WLDMT REAR STRUT	1
2	57732	WLDMT - MOUNT - EXPORT	1
3	64143	BAR - BOLTING	4
4	64145	BOLT-HEX: 1.13 X 8.00 NC GR8 ZP	8
5	64147	WASHER-LOCK: 1.13 ZP	8
6	64146	NUT-HEX: 1.13 NC GR2 ZP	8
7	63685	SCRAPER-EXPORT	2
8	1016718	BOLT-HEX: .75 X 6.50 NC GR5 ZP	2
9	1017000	NUT-TOPLOCK: .75 NC GR5 ZP	2
10	1011618	BOLT-HEX: .50 X 5.00 NC GR5 ZP	2
11	1027461	NUT-TOPLOCK: .50 NC GR5 ZP	2
12	56897*	SPINDLE-EXPORT	1
13	53623*	HUB-WHEEL 8 BOLT	1
14	53624*	HUB CAP	1
15	1030728*	WASHER-FLAT: SAE 1.00 GR8 ZP	1
16	53619*	SEAL	1
17	53621*	BEARING CONE-INNER	1
18	53622*	BEARING CUP-INNER	1
19	53620*	BEARING CONE-OUTER	1
20	52243*	BEARING CUP-OUTER	1
21	1030726*	NUT-SPINDLE: 1.00 NF NP	1
22	1030797*	PIN-COTTER: .19 X 1.75 NP	1
23	53625*	NUT-WHEEL: .63-18NF	8
24	1016598	BOLT-HEX: .75 X 2.50 NC GR5 ZP	6
25	1012061	WASHER-LOCK: .75 ZP	6
26	1011620	NUT-HEX: .75 NC GR2 ZP	6
27	56903	WHEEL W10 X 24 8 BOLT (1.88 POS)	2
28	56976	TIRE 11.2-24 10 PLY R1	2
29	52248R	DECAL-CAUTION - RUSSIA	1
30	56900	ASSY HUB & SPINDLE	2

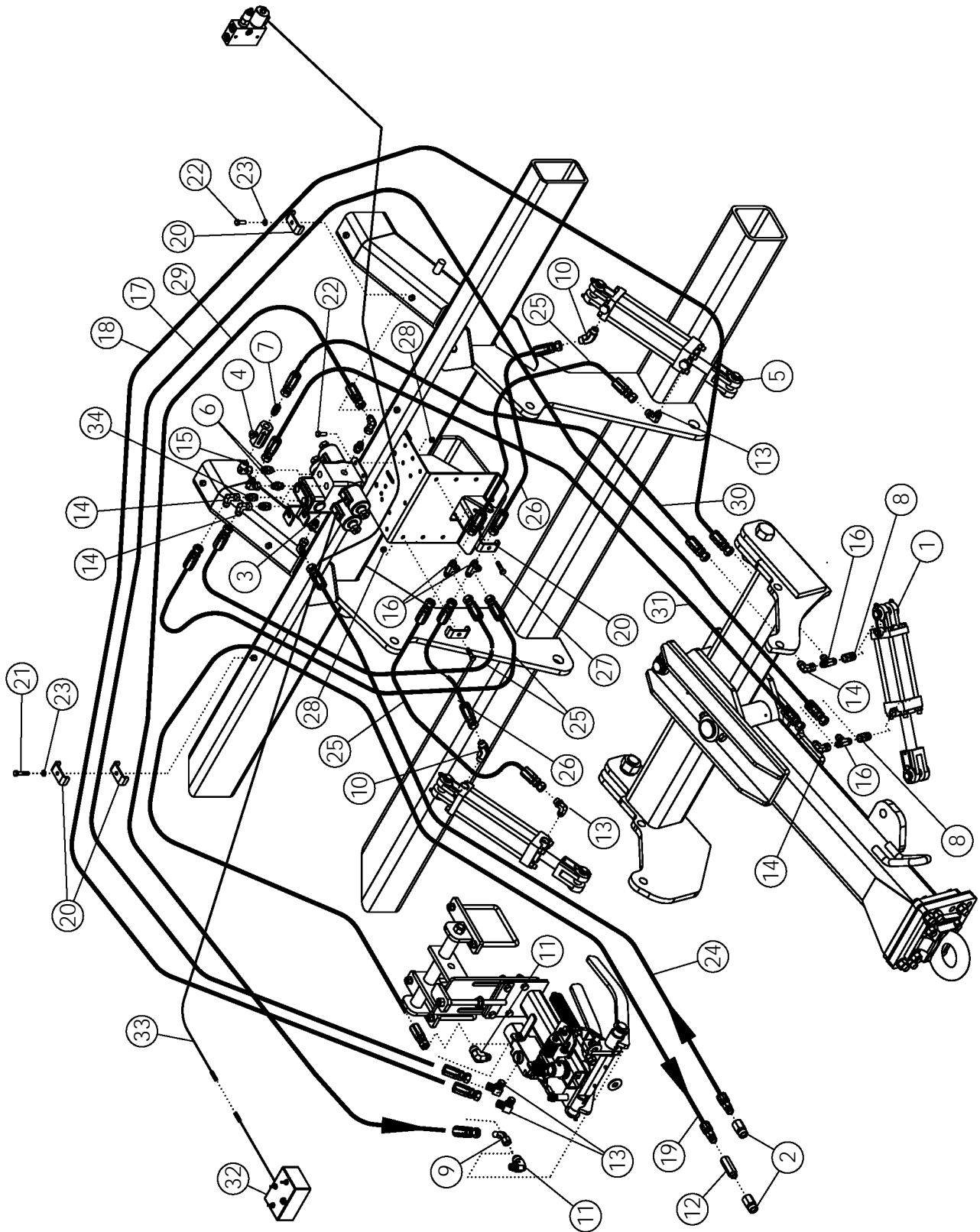
*ITEMS ARE INLCUDED IN ITEM 30



ROW FINDER & HITCH HYDRAULICS

ITEM	PART NO.	DESCRIPTION	QTY
1	58891	CYLINDER-HYDRAULIC 4 X 8" 3000	1
	301315	SEAL KIT FOR 58891	
2	53631	PIONEER TIP 8010-4	6
3	57663	FTG-ELBOW: 8MJ-8FJX-45	1
4	65901	FTG-ELBOW: 10MB-8MJ-90	2
5	57665	FTG-ELBOW: 8MP-8MJ-90	2
6	56941	FTG-ADAPTER: 8MB-8FJX	2
7	57667	FTG-TEE: 8MJ-8MJ-8MJ	4
8	57668	FTG-ELBOW: 8MJ-8FJX-90	2
9	300037	HOSE: .50 X 153 8MB-8FJX	1
10	300038	HOSE: .50 X 150 8MB-8FJX	1
11	300039	HOSE: .50 X 184 8MB-8FJX	2
12	63668	HOSE: .50 X 160 8FJX-8FJX	1
13	63669	HOSE: .50 X 154 8FJX-8FJX	1
14	50714	CLAMP 1/2" ZP	6
15	1011603	BOLT-HEX: .38 X 1.75 NC GR5 ZP	2
16	1011586	WASHER-LOCK: .38 ZP	2
17	1011602	BOLT-HEX: .38 X 1.50 NC GR5 ZP	4
18	1016999	NUT-TOPLOCK: .38 NC GR5 ZP	4
19	62082	CYLINDER-HYDRAULIC 4 X 10" 3000	2
	301315	SEAL KIT FOR 62082	
20	300055	HOSE: .50 X 100 8MB-8FJX	2
21	57676	HOSE: .50 X 031 8FJX-8FJX	2
22	58560	FTG-ELBOW: 8MB-8MJ-90	4
23	57677	HOSE: .50 X 021 8FJX-8FJX	2
24	58515	FTG-ELBOW: 8MB-8MJ-45	2
25	300070	VALVE-CHECK: 8MB-8FB FLOW F-->M (FC-08R)	1

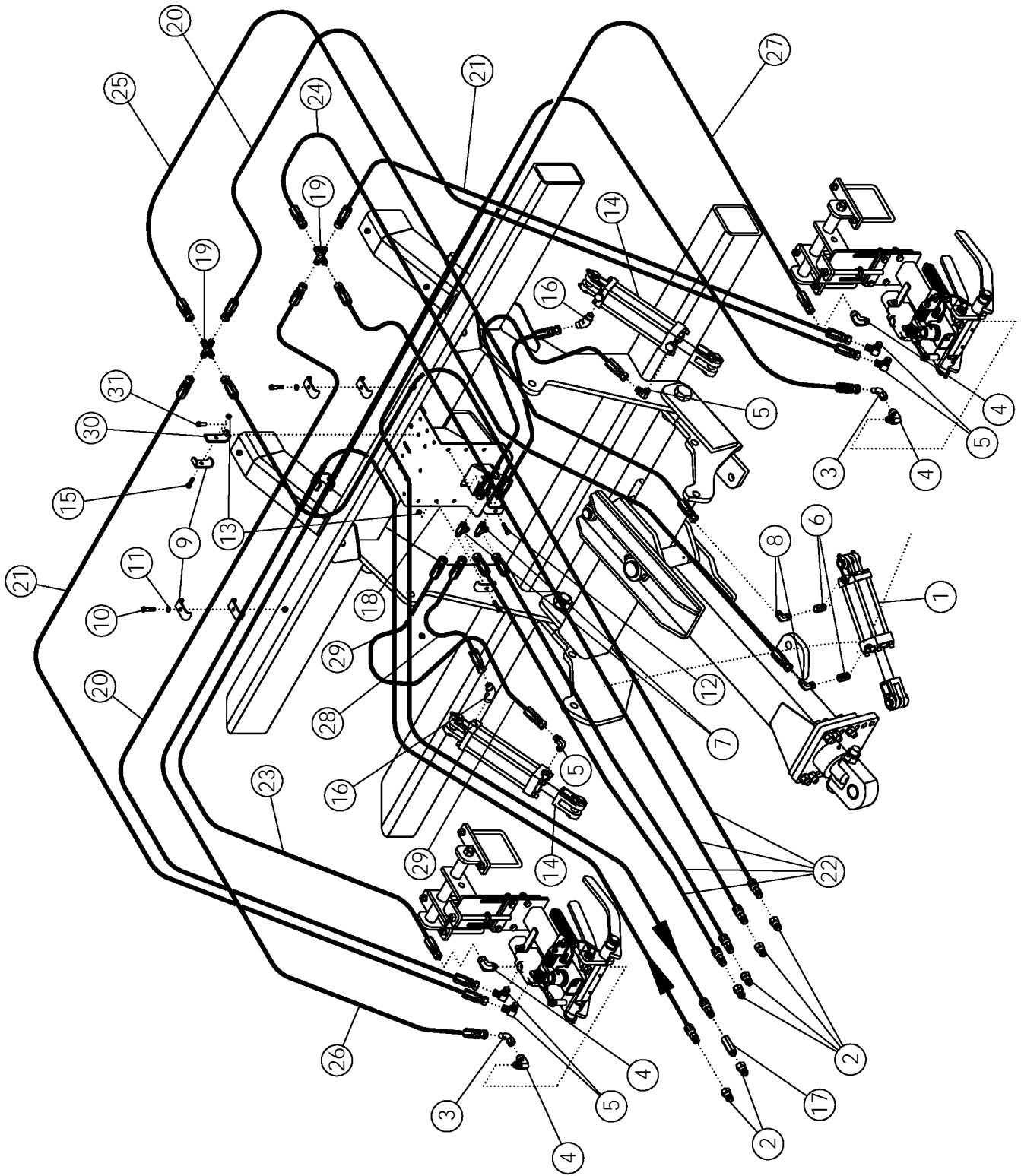
****IMPORTANT** ITEM 25 (PN: 300070-CHECK VALVE) MUST BE INSTALLED AS SHOWN PER THE DIAGRAM, TO PREVENT PREMATURE ROWFINDER VALVE FAILURE.**



ROWFINDER & HITCH HYDRAULICS: ONBOARD OPTION

ITEM	PART NO.	DESCRIPTION	QTY
1	58891	CYLINDER-HYDRAULIC 4 X 8; 3000 PSI	1
	301315	SEAL KIT FOR 58891	
2	300068	FTG-ADAPTER: M27-1.5 X .5" FB ZP	2
3	63673	VALVE-DIRECTION CTL, 2 BANK, OC	1
4	63697	VALVE-NEEDLE RESTRICTOR .5 PIPE	1
5	62082	CYLINDER-HYDRAULIC 4 X 10; 3000 PSI	2
	301315	SEAL KIT FOR 58891	
6	56226	FTG-ADAPTER: 8MB-8MJ	5
7	58193	FTG-ADAPTER: 8MP-8MJ	1
8	56941	FTG-ADAPTER: 8MB-8FJX	2
9	57663	FTG-ELBOW: 8MJ-8FJX-45	1
10	58515	FTG-ELBOW: 8MB-8MJ-45	2
11	65901	FTG-ELBOW: 10MB-8MJ-90	2
12	300070	VALVE-CHECK: 8MB-8FB FLOW F-->M (FC-08R)	1
13	58560	FTG-ELBOW: 8MB-8MJ-90	2
14	57668	FTG-ELBOW: 8MJ-8FJX-90	7
15	63694	FTG-ELBOW: 8MP-8FJX-90	1
16	57667	FTG-TEE: 8MJ-8MJ-8MJ	4
17	63668	HOSE: .50 X 160 8FJX-8FJX	1
18	63669	HOSE: .50 X 154 8FJX-8FJX	1
19	300039	HOSE: .50 X 184 8MB-8FJX	1
20	50714	CLAMP .50 ZP	5
21	1011603	BOLT-HEX: .38 X 1.75 NC GR5 ZP	1
22	1011600	BOLT-HEX: .38 X 1.00 NC GR5 ZP	5
23	1011586	WASHER-LOCK: .38 ZP	2
24	300055	HOSE: .50 X 100 8MB-8FJX	1
25	57676	HOSE: .50 X 031 8FJX-8FJX	4
26	57677	HOSE: .50 X 021 8FJX-8FJX	2
27	1011602	BOLT-HEX: .38 X 1.50 NC GR5 ZP	2
28	1016999	NUT-TOPLOCK: .38 NC GR5 ZP	6
29	63674	HOSE: .50 X 104 8FJX-8FJX	1
30	63675	HOSE: .50 X 055 8FJX-8FJX	1
31	63903	HOSE: .50 X 068 8FJX-8FJX	1
32	63688	CONTROL-ASSY CIS HRV	1
33	63689	HARNESS-CONTROL CIS HRV	1
34	64734	FTG-RESTRICTOR 8MB-8MJ	1

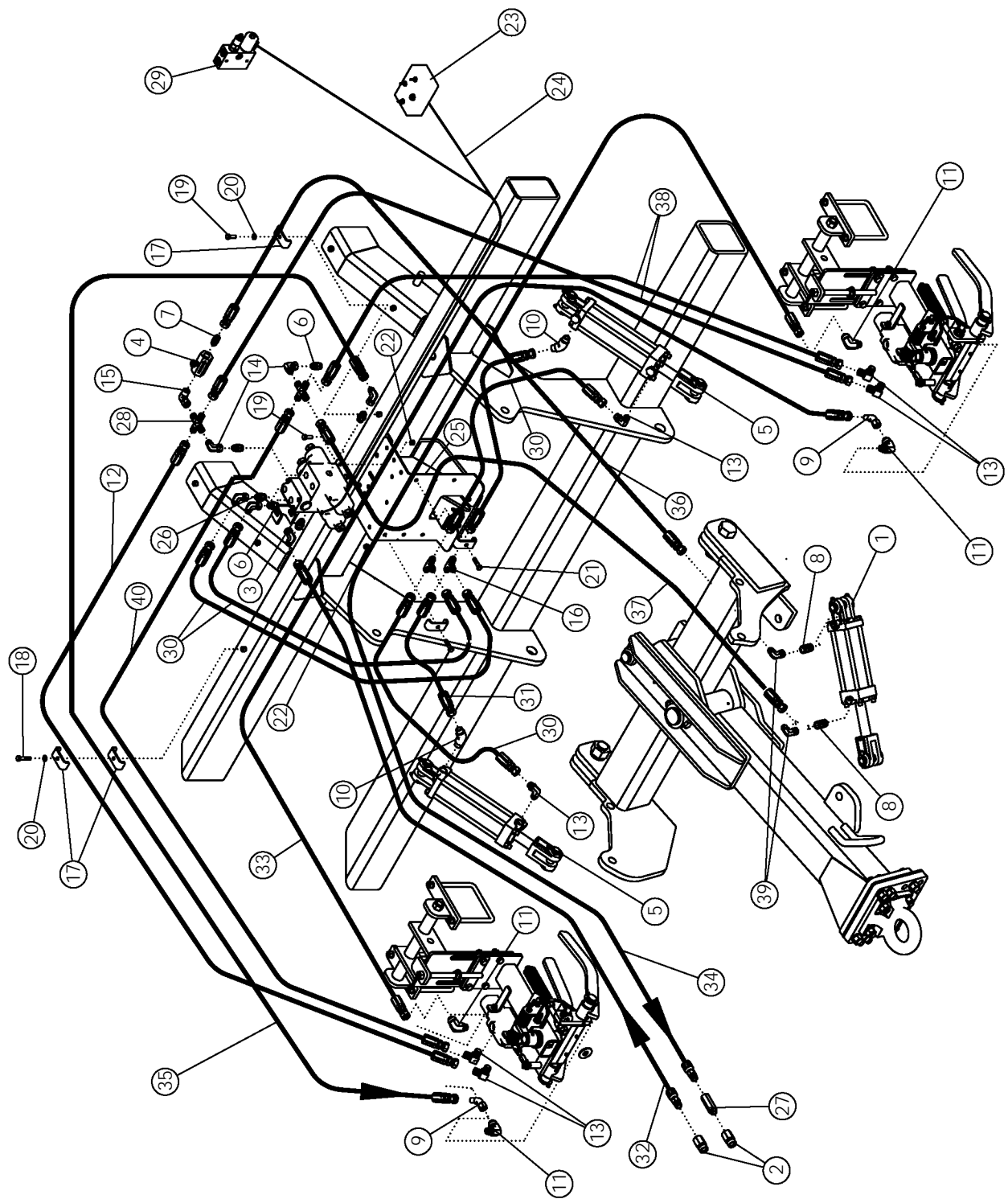
****IMPORTANT** ITEM 12 (PN: 300070-CHECK VALVE) MUST BE INSTALLED AS SHOWN PER THE DIAGRAM, TO PREVENT PREMATURE ROWFINDER VALVE FAILURE.**



DUAL ROWFINDER & HITCH HYDRAULICS

ITEM	PART NO.	DESCRIPTION	QTY
1	58891	CYLINDER-HYDRAULIC 4 X 8" 3000	1
	301315	SEAL KIT FOR 58891	
2	36290	PIONEER TIP 8010-15 #8 ORB	6
3	57663	FTG-ELBOW: 8MJ-8FJX-45	2
4	65901	FTG-ELBOW: 10MB-8MJ-90	4
5	58560	FTG-ELBOW: 8MB-8MJ-90	6
6	56941	FTG-ADAPTER: 8MB-8FJX	2
7	57667	FTG-TEE: 8MJ-8MJ-8MJ	2
8	63017	FTG-ELBOW: 8MJ-8MJ-90	2
9	50714	CLAMP 1/2" ZP	8
10	1011603	BOLT-HEX: .38 X 1.75 NC GR5 ZP	2
11	1011586	WASHER-LOCK: .38 ZP	2
12	1011602	BOLT-HEX: .38 X 1.50 NC GR5 ZP	4
13	1016999	NUT-TOPLOCK: .38 NC GR5 ZP	10
14	62082	CYLINDER-HYDRAULIC 4 X 10" 3000	2
	301315	SEAL KIT FOR 62082	
15	1011601	BOLT-HEX: .38 X 1.25 NC GR5 ZP	2
16	58515	FTG-ELBOW: 8MB-8MJ-45	2
17	300070	VALVE-CHECK: 8MB-8FB FLOW F-->M (FC-08R)	1
18	62883	PLATE-HOSE MOUNT	1
19	68160	FTG-CROSS: 8MJ	2
20	1028860	HOSE: .50 X 102 8FJX-8FJX	2
21	1024421	HOSE: .50 X 090 8FJX-8FJX	2
22	300055	HOSE: .50 X 100 8MB-8FJX	4
23	58378	HOSE: .50 X 182 8FJX-8FJX	1
24	64087	HOSE: .50 X 070 8FJX-8FJX	1
25	57012	HOSE: .50 X 058 8FJX-8FJX	1
26	300066	HOSE: .50 X 198 8FJX-8MB	1
27	300039	HOSE: .50 X 184 8MB-8FJX	1
28	57677	HOSE: .50 X 021 8FJX-8FJX	2
29	57676	HOSE: .50 X 031 8FJX-8FJX	2
30	68180	PLATE-HOSE MOUNT	2
31	1011600	BOLT-HEX: .38 X 1.00 NC GR5 ZP	2

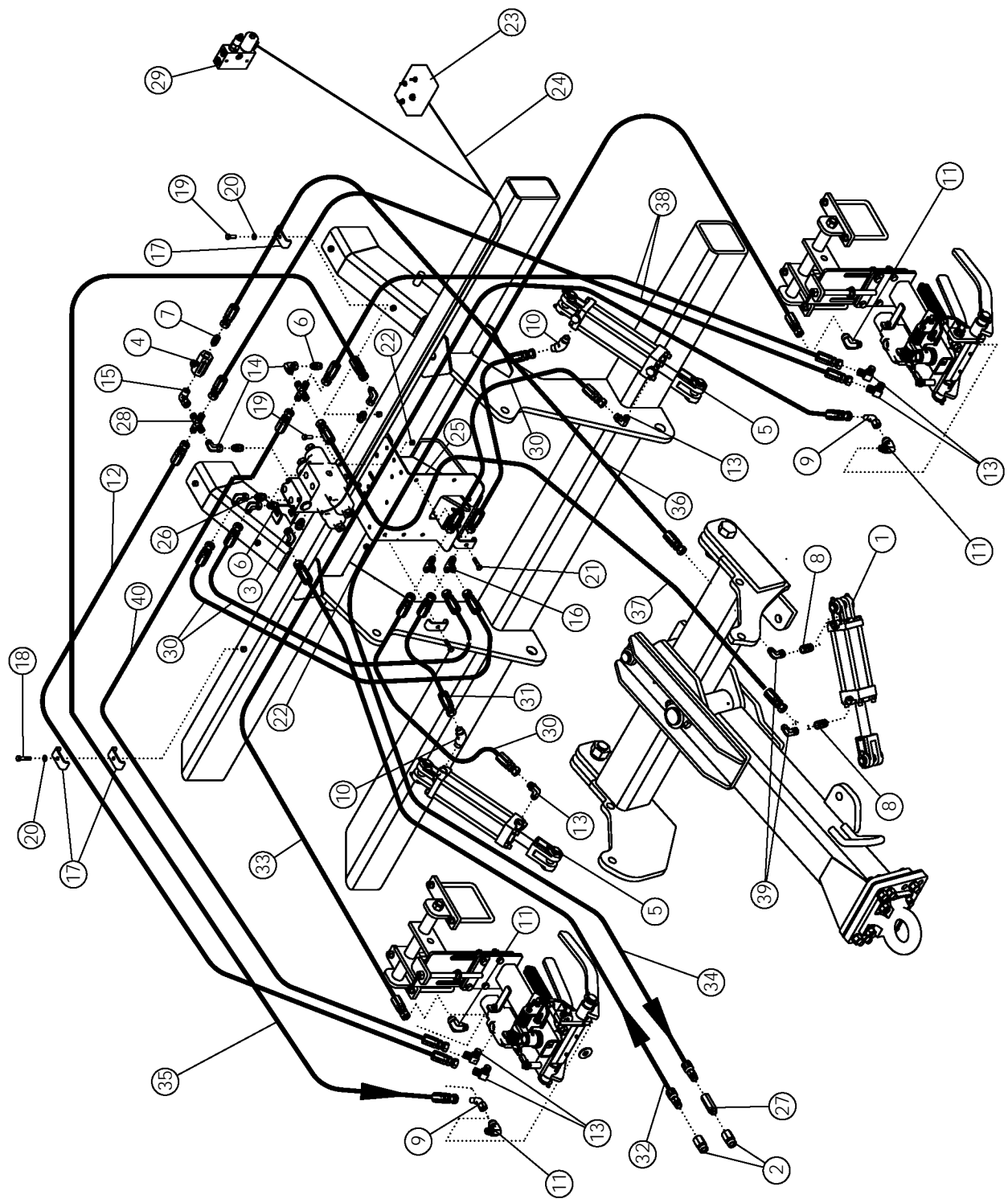
****IMPORTANT** ITEM 17 (PN: 300070-CHECK VALVE) MUST BE INSTALLED AS SHOWN PER THE DIAGRAM, TO PREVENT PREMATURE ROWFINDER VALVE FAILURE.**



DUAL RF & HITCH HYDRAULICS: ONBOARD

ITEM	PART NO.	DESCRIPTION	QTY
1	58891	CYLINDER-HYDRAULIC 4 X 8; 3000 PSI	1
	301315	SEAL KIT FOR 58891	
2	64195	FTG-ADAPTER: M27-1.5 X .5 NPTF	2
3	63673	VALVE-DIRECTION CTL, 2 BANK, OC	1
4	63697	VALVE-NEEDLE RESTRICTOR .5 PIPE	1
5	62082	CYLINDER-HYDRAULIC 4 X 10; 3000 PSI	2
	301315	SEAL KIT FOR 62082	
6	56226	FTG-ADAPTER: 8MB-8MJ	5
7	58193	FTG-ADAPTER: 8MP-8MJ	1
8	56941	FTG-ADAPTER: 8MB-8FJX	2
9	57663	FTG-ELBOW: 8MJ-8FJX-45	2
10	58515	FTG-ELBOW: 8MB-8MJ-45	2
11	65901	FTG-ELBOW: 10MB-8MJ-90	4
12	63669	HOSE: .50 X 154 8FJX-8FJX	1
13	58560	FTG-ELBOW: 8MB-8MJ-90	2
14	57668	FTG-ELBOW: 8MJ-8FJX-90	7
15	63694	FTG-ELBOW: 8MP-8FJX-90	1
16	57667	FTG-TEE: 8MJ-8MJ-8MJ	2
17	50714	CLAMP .50 ZP	5
18	1011603	BOLT-HEX: .38 X 1.75 NC GR5 ZP	1
19	1011600	BOLT-HEX: .38 X 1.00 NC GR5 ZP	5
20	1011586	WASHER-LOCK: .38 ZP	2
21	1011602	BOLT-HEX: .38 X 1.50 NC GR5 ZP	2
22	1016999	NUT-TOPLOCK: .38 NC GR5 ZP	6
23	63688	CONTROL-ASSY CIS HRV	1
24	63689	HARNES-CONTROL CIS HRV	1
25	62883	PLATE-HOSE MOUNT	1
26	64734	FTG-RESTRICTOR 8MB-8MJ	1
27	300070	VALVE-CHECK 8FP X 8MP FLOW F --> M	1
28	68160	FTG-CROSS: 8MJ	2
29	64687	VALVE-2 X 2 DUMP & RELIEF	1
30	57676	HOSE: .50 X 031 8FJX-8FJX	4
31	57677	HOSE: .50 X 021 8FJX-8FJX	2
32	300055	HOSE: .50 X 100 8MB-8FJX	1
33	58378	HOSE: .50 X 182 8FJX-8FJX	1
34	300039	HOSE: .50 X 184 8MB-8FJX	1
35	63674	HOSE: .50 X 104 8FJX-8FJX	1
36	63675	HOSE: .50 X 055 8FJX-8FJX	1
37	63903	HOSE: .50 X 068 8FJX-8FJX	1

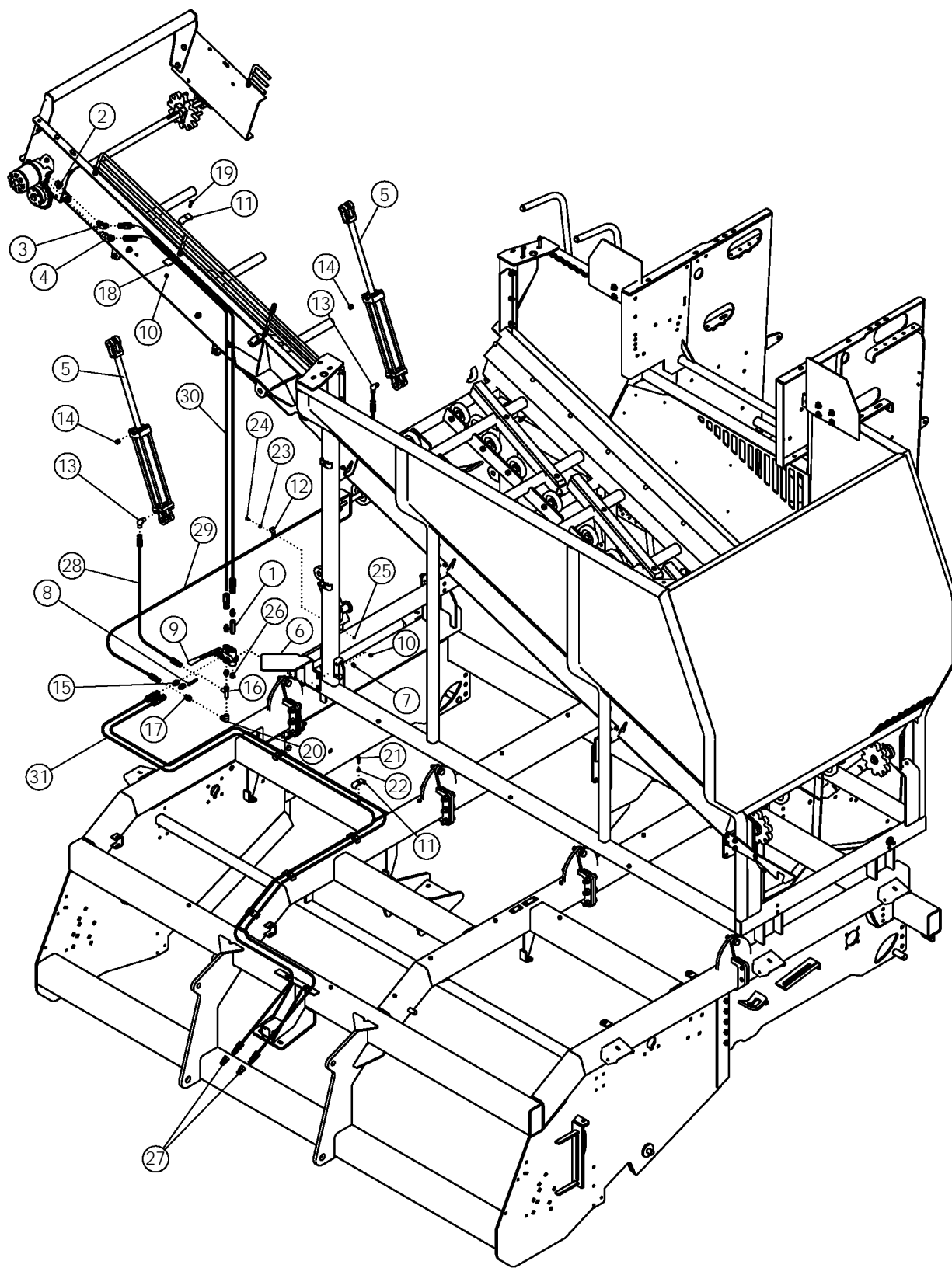
CONTINUED



DUAL RF & HITCH HYDRUALICS: ONBOARD (CONTINUED)

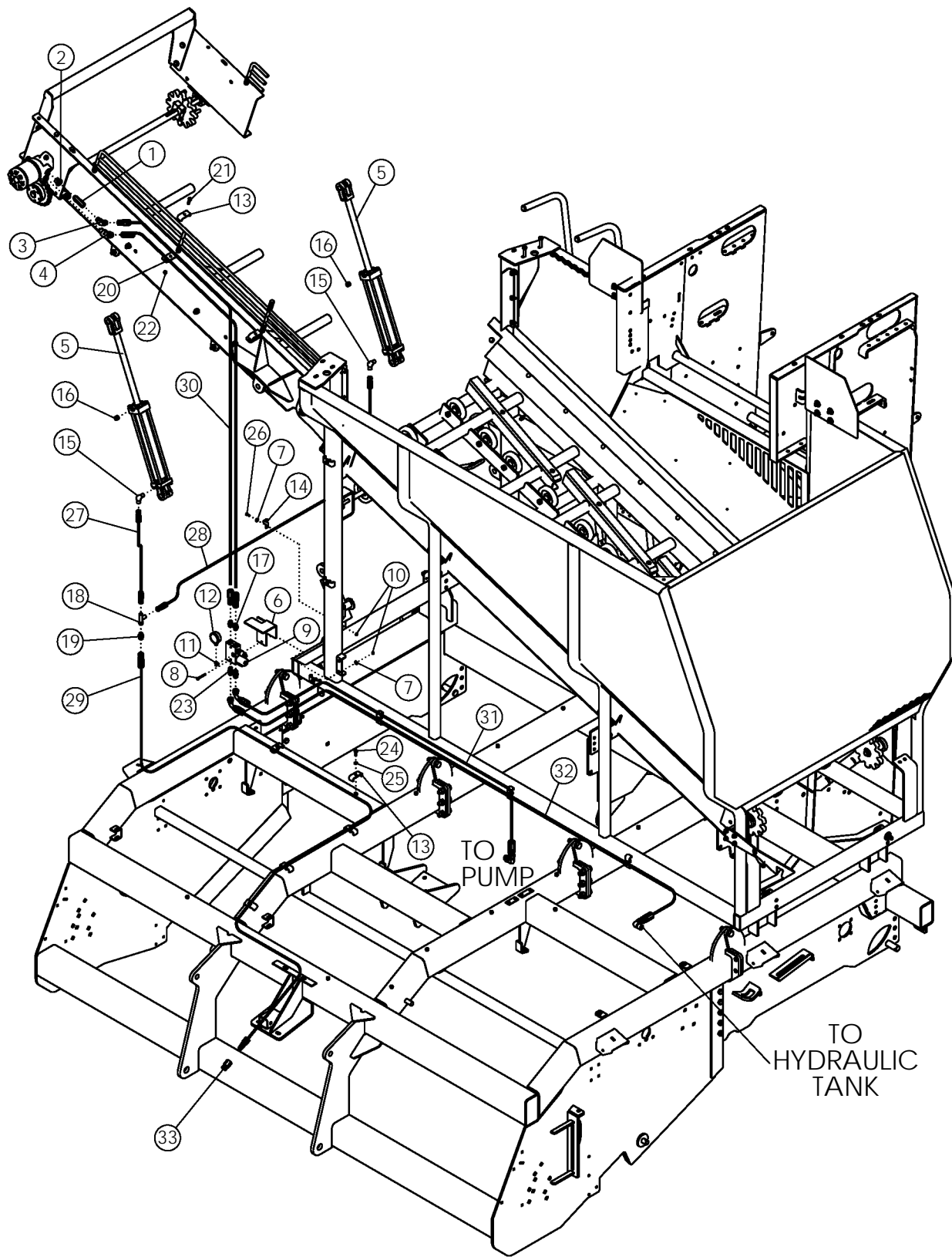
ITEM	PART NO.	DESCRIPTION	QTY
38	1024421	HOSE: .50 X 090 8FJX-8FJX	2
39	63017	FTG-ELBOW 8MJ-8MJ-90	2
40	63668	HOSE: .50 X 160 8FJX-8FJX	1

****IMPORTANT** ITEM 27 (PN: 300070-CHECK VALVE) MUST BE INSTALLED AS SHOWN PER THE DIAGRAM, TO PREVENT PREMATURE ROWFINDER VALVE FAILURE.**



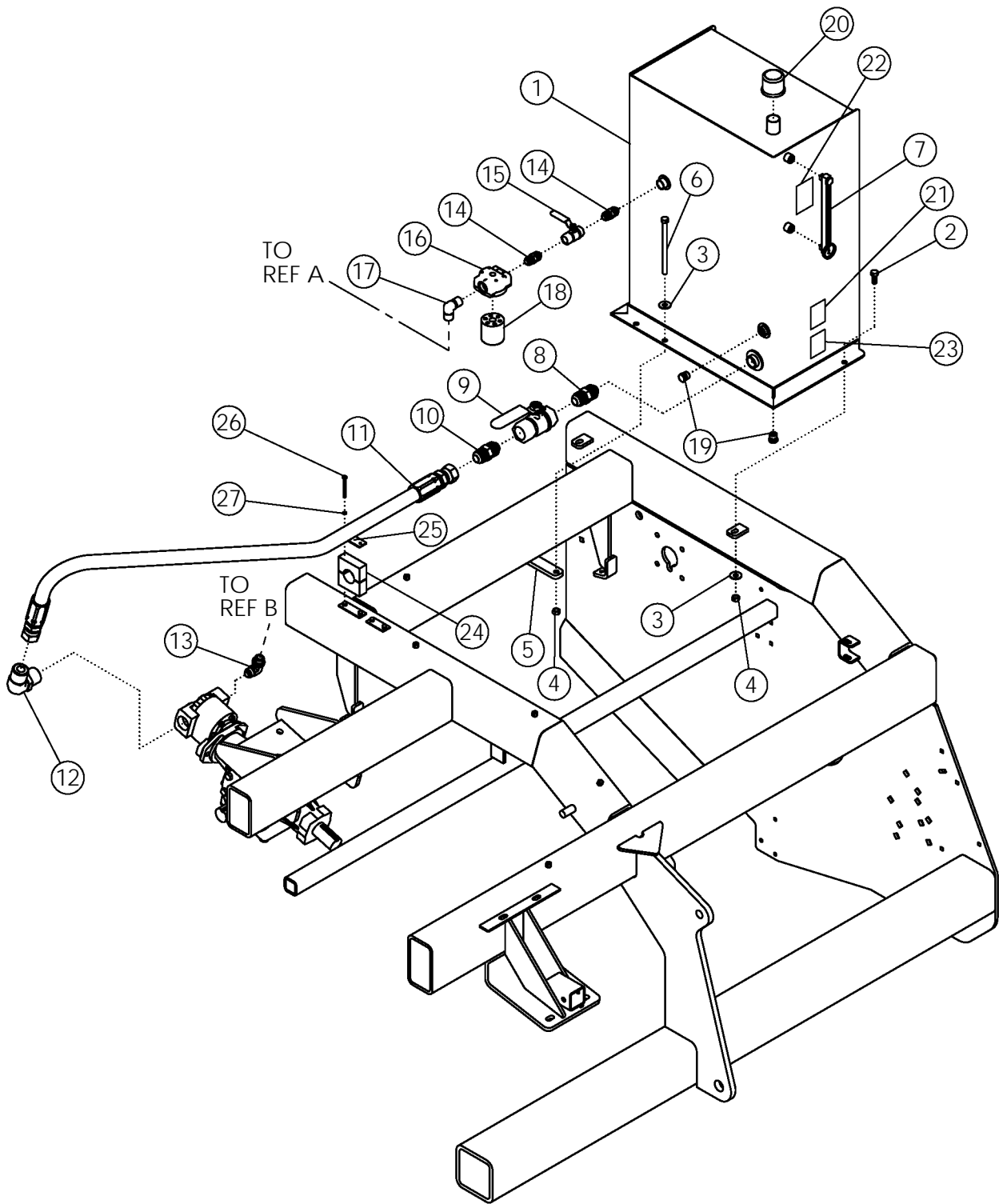
TANK HYDRAULICS

ITEM	PART NO.	DESCRIPTION	QTY
1	300070	VALVE-CHECK	1
2	300069	FTG-ADAPTER: 8FB-10MB	1
3	58515	FTG-ELBOW: 8MB-8MJ-45	1
4	56229	FTG-ELBOW: 10MB-8MJ-45	1
5	58889	CYLINDER-HYD 2.5 X 16	2
6	62904	GUARD-SELECTOR VALVE	1
7	1011828	WASHER-FLAT: .38 ZP	2
8	59390	BOLT-HEX: .38 X 2.25 NC GR5 ZP	2
9	58470	VALVE-SELECTOR	1
10	1016999	NUT-TOPLOCK: .38 NC GR5 ZP	4
11	50714	CLAMP .50 ZP	9
12	50779	CLAMP	2
13	58557	FTG-ELBOW: 8MB-6MJ 90	2
14	58547	FTG-PLUG: 8MB BREATHER	2
15	56226	FTG-ADAPTER: 8MB-8MJ	4
16	56231	FTG-TEE: 6MJ-6FJX-6MJ	1
17	300072	FITTING-RESTRICTOR (6MJ-6RJ R 1/16)	1
18	54825	BRACKET-HOSE ZP	2
19	1011602	BOLT-HEX: .38 X 1.50 NC GR5 ZP	2
20	58557	FTG-ELBOW: 8MB-6MJ 90	1
21	1011600	BOLT-HEX: .38 X 1.00 NC GR5 ZP	7
22	1011586	WASHER-LOCK: .38 ZP	7
23	1020416	WASHER-FLAT: .25 ZP	2
24	1011595	BOLT-HEX: .25 X .75 NC GR5 ZP	2
25	1030946	NUT-TOPLOCK: .25 NC GR5 ZP	2
26	56190	FTG-PLUG: 8MB	1
27	36290	PIONEER TIP 8010-15 (#8 ORB)	2
28	56234	HOSE: .38 X 28 6FJX-6FJX	1
29	56233	HOSE: .38 X 86 6FJX-6FJX	1
30	56235	HOSE: .50 X 155 8FJX-8FJX	2
31	1015804	HOSE: .50 X 240 8FJX-8MB	2



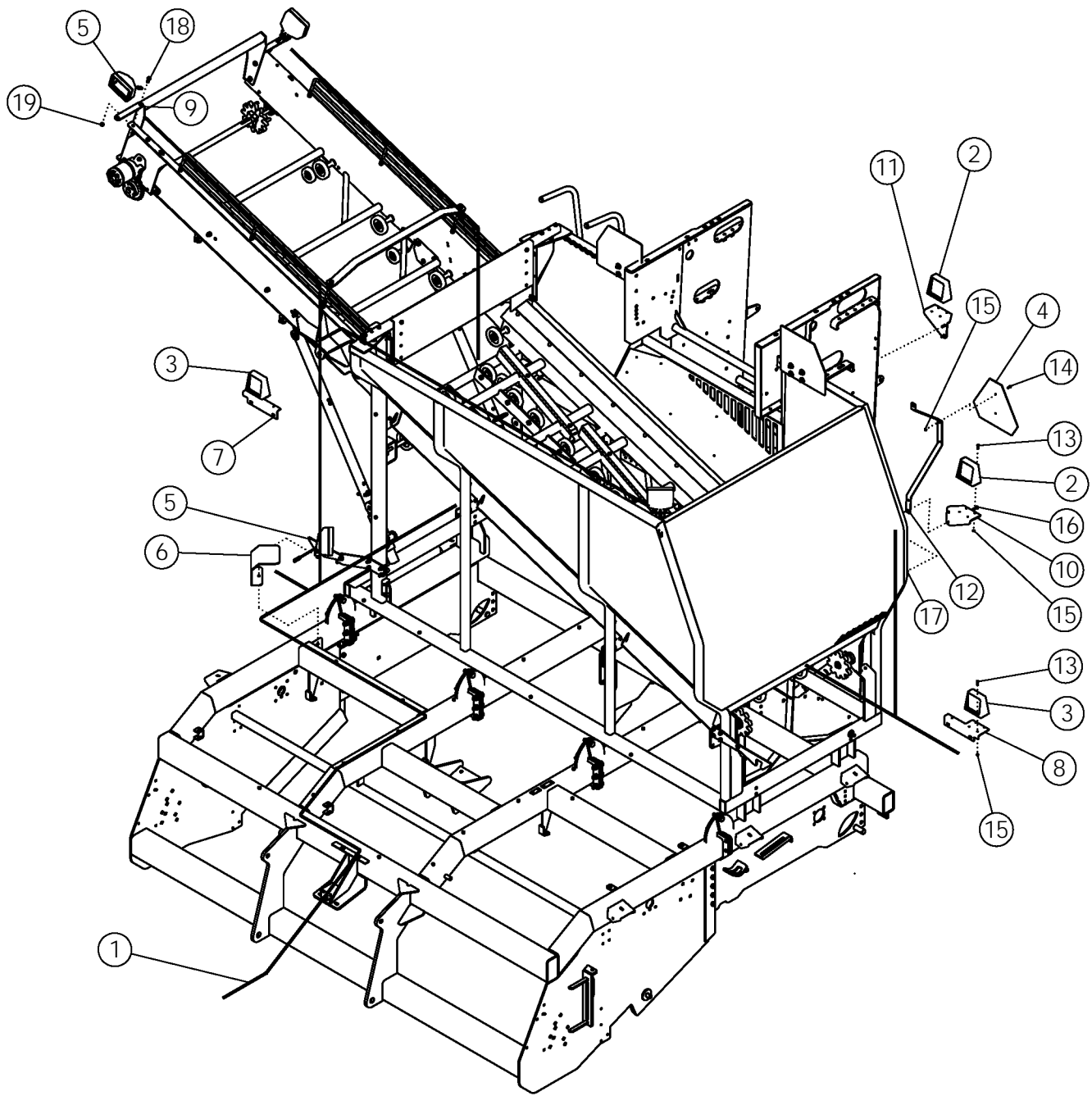
TANK HYDRAULICS: ONBOARD OPTION

ITEM	PART NO.	DESCRIPTION	QTY
1	300070	VALVE-CHECK: 8MB-8FB	1
2	300069	FTG-ADAPTER: 8FB-10MB	1
3	58515	FTG-ELBOW: 8MB-8MJ-45	1
4	56229	FTG-ELBOW: 10MB-8MJ-45	1
5	58889	CYLINDER-HYD 2.5 X 16	2
6	64717	BRACKET-SHIELD VALVE	1
7	1020416	WASHER-FLAT: .25 ZP	4
8	1013942	BOLT-HEX: .25 X 2.25 NC GR5	2
9	64687	VALVE-2 X 2 DUMP & RELIEF	1
10	1030946	NUT-TOPLOCK: .25 NC GR5 ZP	4
11	64713	FTG-ELBOW: 4MB-4FP 90	1
12	58984	GAUGE-PRESSURE: 1/4"MP 3500 PSI	1
13	50714	CLAMP .50 ZP	13
14	50779	CLAMP	2
15	58557	FTG-ELBOW: 8MB-6MJ 90	2
16	58547	FTG-PLUG: 8MB BREATHER	2
17	56226	FTG-ADAPTER: 8MB-8MJ	2
18	56231	FTG-TEE: 6MJ-6FJX-6MJ	1
19	300072	FITTING-RESTRICTOR (6MJ-6FJ R 1/16)	1
20	54825	BRACKET-HOSE ZP	2
21	1011602	BOLT-HEX: .38 X 1.50 NC GR5 ZP	2
22	1016999	NUT-TOPLOCK: .38 NC GR5 ZP	2
23	64750	FTG-ADAPTER: 8MB-10MJ	2
24	1011600	BOLT-HEX: .38 X 1.00 NC GR5 ZP	11
25	1011586	WASHER-LOCK: .38 ZP	11
26	1011595	BOLT-HEX: .25 X .75 NC GR5 ZP	2
27	56234	HOSE: .38 X 28 6FJX-6FJX	1
28	56233	HOSE: .38 X 86 6FJX-6FJX	1
29	64720	HOSE: .38 X 216 6FJX-6FJX	1
30	59889	HOSE: .50 X 161 8FJX-8FJX	2
31	64719	HOSE: .63 X 80 12FJX-10FJX 90	1
32	64718	HOSE: .63 X 120 12FJX-10FJX 90L	1
33	30067	FTG-ADAPTER: M20-1.5 X 0.5" FB	1



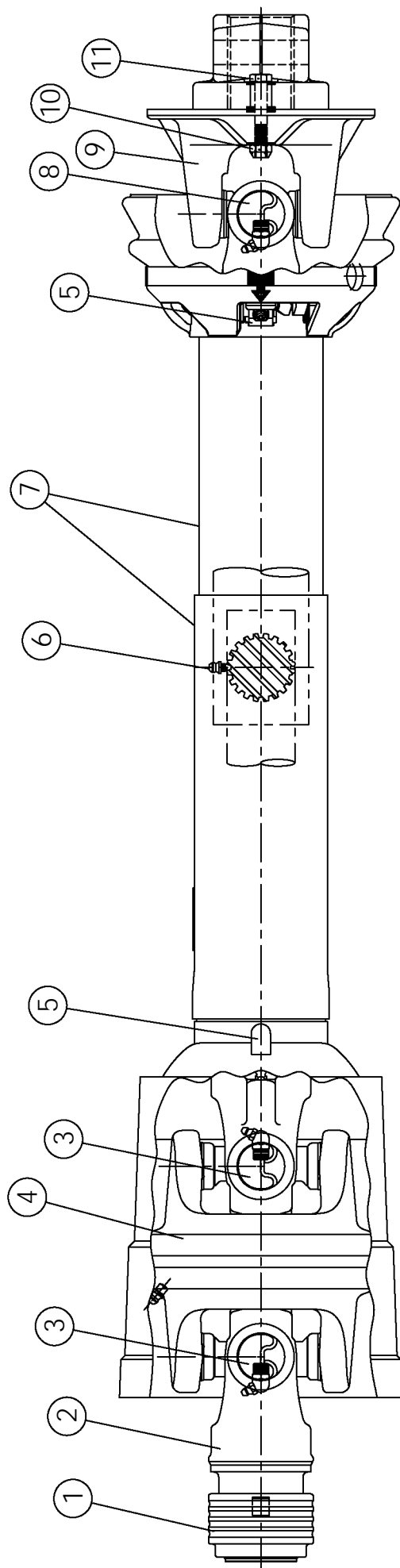
HYDRAULIC TANK

ITEM	PART NO.	DESCRIPTION	QTY
1	58079	HYDRAULIC TANK-PAINTED	1
2	1011606	BOLT-HEX: .50 X 1.25 NC GR5 ZP	2
3	1014443	WASHER-FLAT: .50 ZP	4
4	1027461	NUT-TOPLOCK: .50 NC GR5 ZP	4
5	58204	BAR - BOLTING	1
6	1032514	BOLT-HEX: .50 X 7.50 NC GR5 ZP	2
7	58914	GAUGE-LEVEL & TEMP	1
8	58978	FTG-ADAPTER: 20MP-20MP	1
9	58979	VALVE-BALL: 20FP-20FP	1
10	62209	FTG-ADAPTER: 20MP-20MJ	1
11	62210	HOSE: 1.25 X 066 20FJX-20FJX	1
12	63698	FTG-ELBOW: 20MB-20MJ-90	1
13	64060	FTG-ELBOW: 12MB-12MJ-90	1
14	58196	FTG-ADAPTER: 12MP-12MP	2
15	59165	VALVE-BALL 3/4FP - 3/4FP	1
16	58690	FILTER HEAD	1
17	59044	FTG-ELBOW: 12MP-12MJ-90	1
18	58691	FILTER-HYDRAULIC	1
19	55718	FTG-PLUG: 8MB	2
20	58197	CAP-FILLER	1
21	62964R	DECAL-WARNING	1
22	64428R	DECAL-HYD TANK SPECS	1
23	64429R	DECAL-WARNING BALL VALVE	1
24	64612	CLAMP-STAUFF	1
25	64613	PLATE-COVER	1
26	1032287	BOLT-HEX: .25 X 2.75 NC GR5 FZP	2
27	1013242	WASHER-LOCK: .25 ZP	2



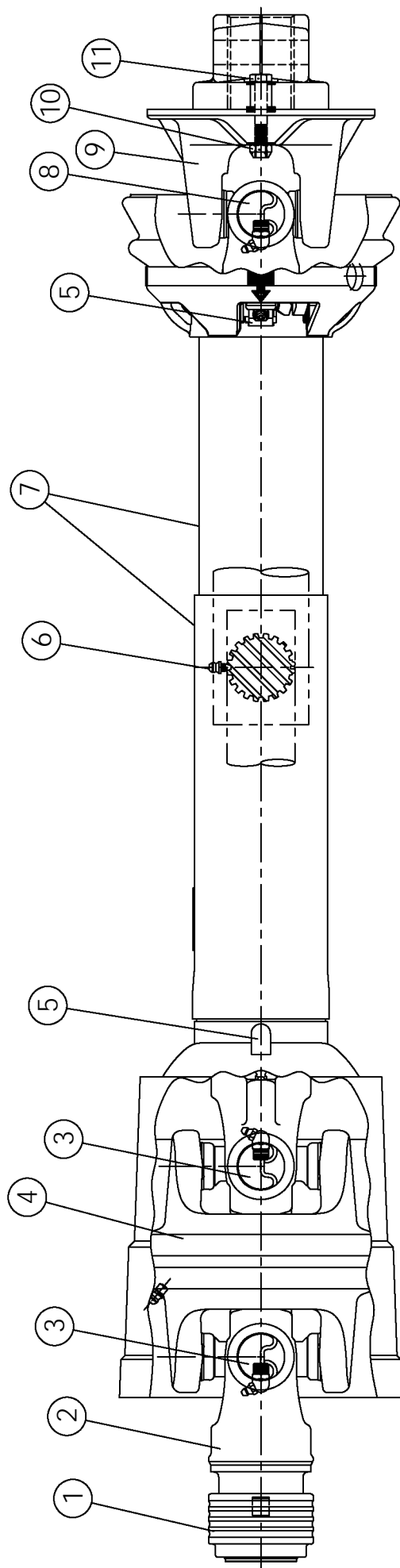
LIGHT KIT

ITEM	PART NO.	DESCRIPTION	QTY
1	64199	HARNESS-CIS HARVESTER	1
2	65953	LAMP-RED TAIL	2
3	65954	LAMP-AMBER WARNING	2
4	65329	SIGN-SMV ASAE S276.5	1
5	62900	LIGHT-FLOOD W/WEATHER PACK	4
6	62894	GUARD-GRABROLL LIGHT	1
7	64175	BRACKET-LIGHT RH AMBER	1
8	64176	BRACKET-LIGHT LH AMBER	1
9	57168	BAR-LIGHT BRACKET	2
10	64235	BRACKET-LIGHT LH RED	1
11	64236	BRACKET-LIGHT RH RED	1
12	64290	MOUNT-SMV SIGN	1
13	1013423	BOLT-HEX: .25 X 1.00 NC GR5 ZP	16
14	1011595	BOLT-HEX: .25 X .75 NC GR5 ZP	2
15	1030946	NUT-TOPLOCK: .25 NC GR5 ZP	18
16	1011601	BOLT-HEX: .38 X 1.25 NC GR5 ZP	4
17	1016999	NUT-TOPLOCK: .38 NC GR5 ZP	4
18	1011606	BOLT-HEX: .50 X 1.25 NC GR5 ZP	2
19	1027461	NUT-TOPLOCK: .50 NC GR5 ZP	2



PTO DRIVELINE #64168 38MM-8SPLINE

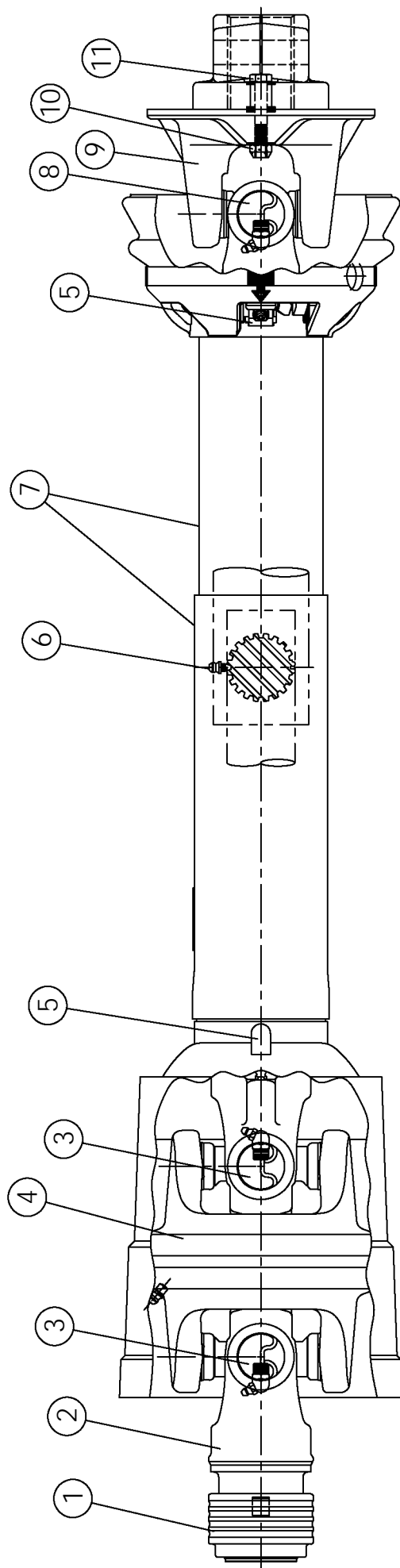
ITEM	PART NO.	DESCRIPTION	QTY
1	64394	SAFETY SLIDE LOCK REPAIR KIT	1
2	64395	SAFETY SLIDE LOCK YOKE ASSEMBLY	1
3	54159	CAT 5 CROSS & BEARING KIT	2
4	64411	CV CENTER HOUSING ASSEMBLY	1
5	64398	NYLON REPAIR KIT	2
6	54161	ZERK-GREASE STRAIGHT	4
7	64412	FULL GUARD SET W/NYLON BEARINGS	1
8	54172	35R CROSS & BEARING KIT	1
9	57286	BALL SHEAR ASSEMBLY	1
10	1030700	NUT-TOPLOCK: .31 NC GR5 ZP	1
11	1011285	BOLT-HEX: .31 X 2.00 NC GR5 ZP	1



PTO DRIVELINE #51481

1.75" - 20 SPLINE

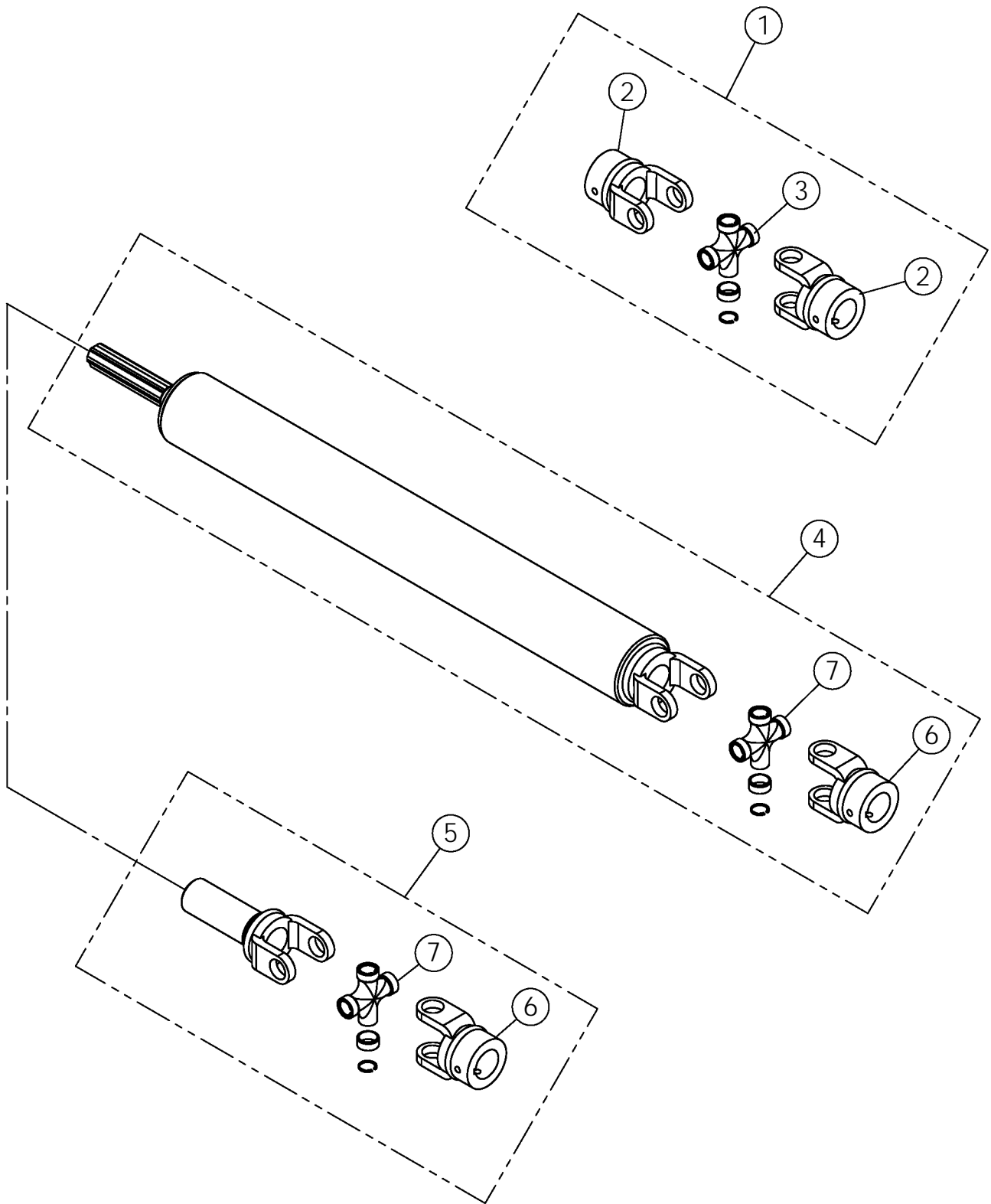
ITEM	PART NO.	DESCRIPTION	QTY
1	62123	SAFETY SLIDE LOCK REPAIR KIT	1
2	54157	SAFETY SLIDE LOCK YOKE ASSEMBLY	1
3	54159	CAT 5 CROSS & BEARING KIT	2
4	64411	CV CENTER HOUSING ASSEMBLY	1
5	64398	NYLON REPAIR KIT	2
6	54161	ZERK-GREASE STRAIGHT	4
7	64412	FULL GUARD SET W/NYLON BEARINGS	1
8	54172	35R CROSS & BEARING KIT	1
9	57286	BALL SHEAR ASSEMBLY	1
10	1030700	NUT-TOPLOCK: .31 NC GR5 ZP	1
11	1011285	BOLT-HEX: .31 X 2.00 NC GR5 ZP	1



PTO DRIVELINE #51480

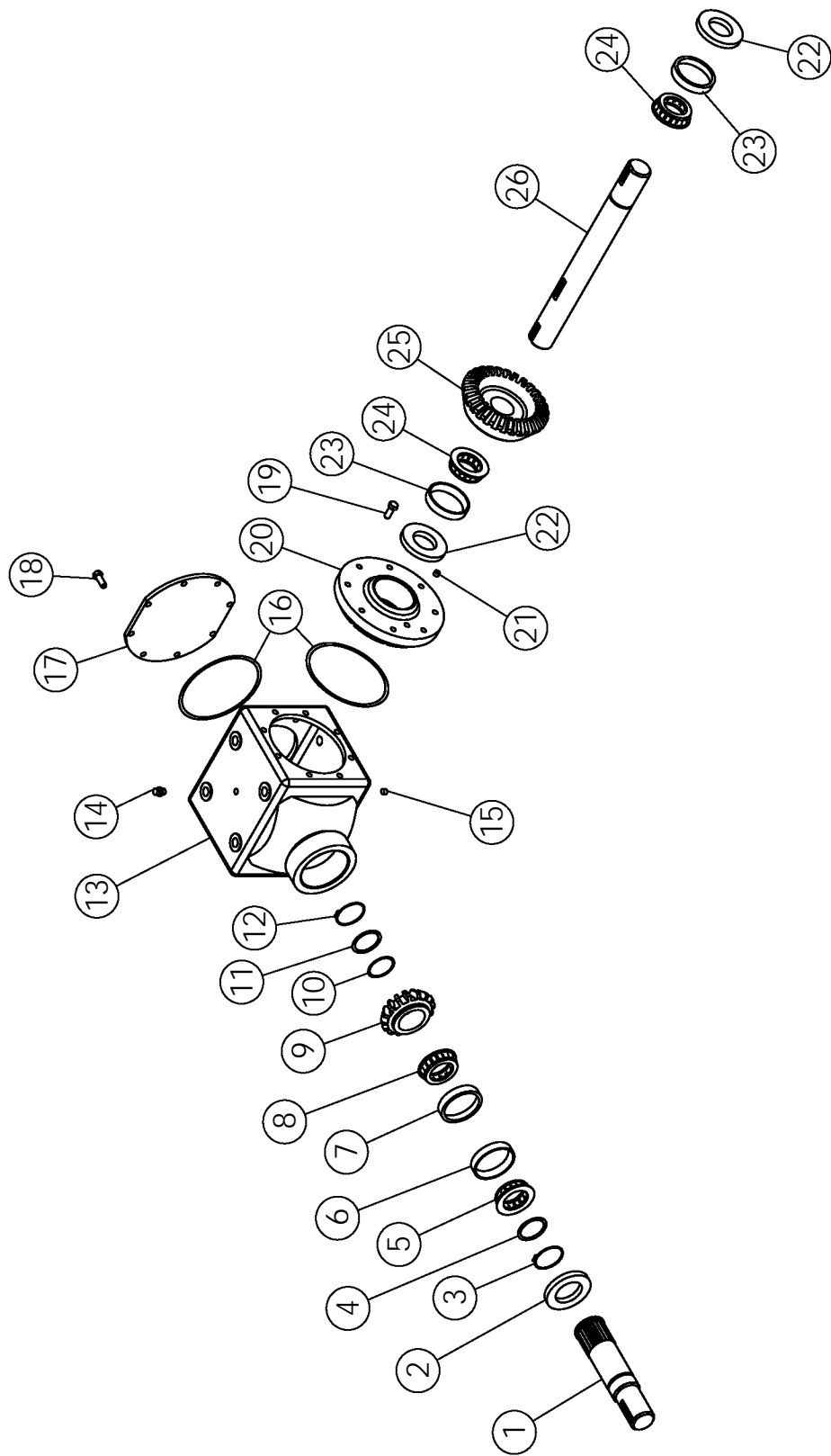
1.38" - 21 SPLINE

ITEM	PART NO.	DESCRIPTION	QTY
1	55187	SAFETY SLIDE LOCK REPAIR KIT	1
2	54156	SAFETY SLIDE LOCK YOKE ASSEMBLY	1
3	54159	CAT 5 CROSS & BEARING KIT	2
4	64411	CV CENTER HOUSING ASSEMBLY	1
5	64398	NYLON REPAIR KIT	2
6	54161	ZERK-GREASE STRAIGHT	4
7	64412	FULL GUARD SET W/NYLON BEARINGS	1
8	54172	35R CROSS & BEARING KIT	1
9	57286	BALL SHEAR ASSEMBLY	1
10	1030700	NUT-TOPLOCK: .31 NC GR5 ZP	1
11	1011285	BOLT-HEX: .31 X 2.00 NC GR5 ZP	1



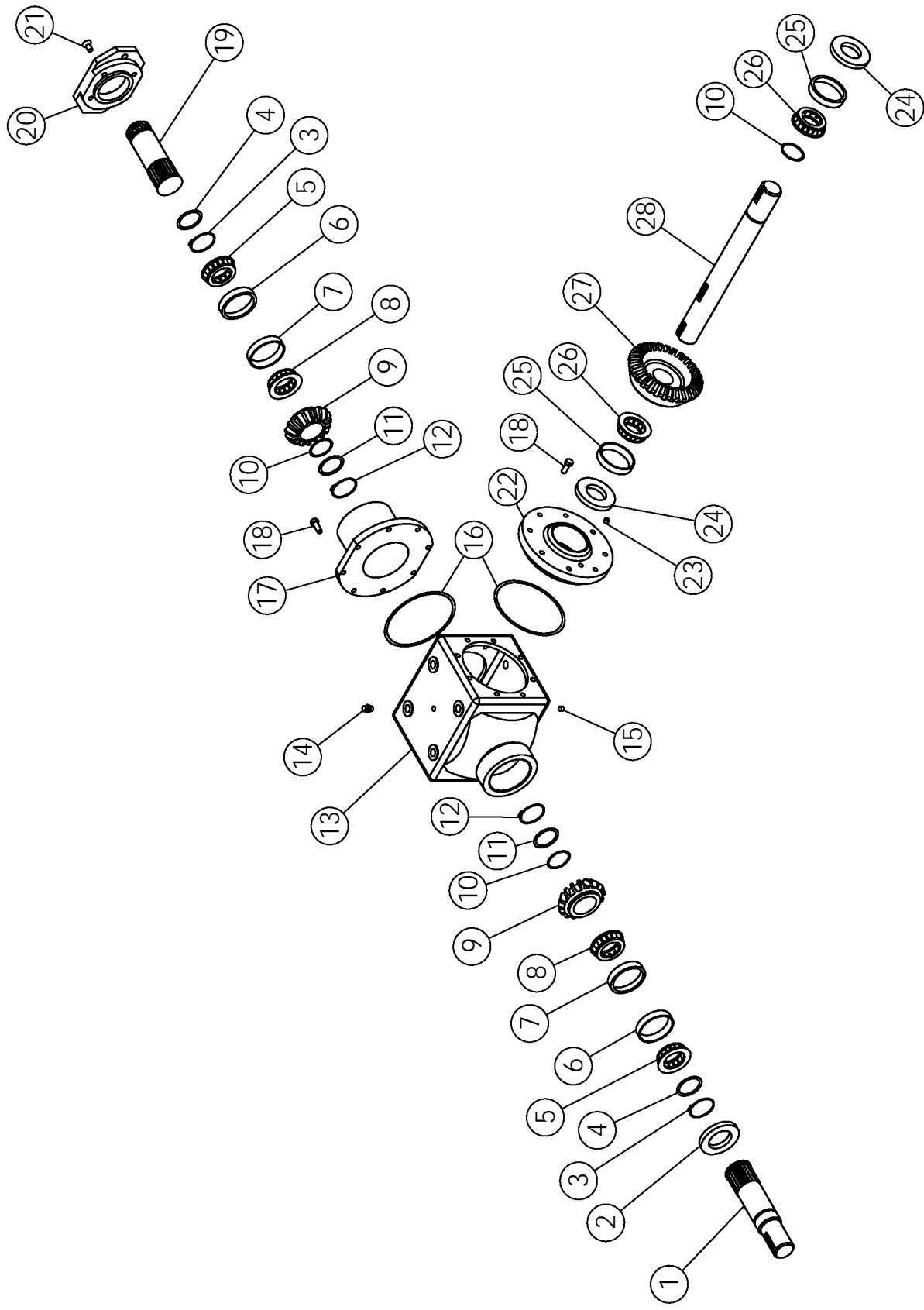
DRIVELINE COMPONENTS

ITEM	PART NO.	DESCRIPTION	QTY
1	53642	U-JOINT	1
2	55035	YOKE 1.75"	2
3	54172	35E CROSS & BEARING KIT	1
4	57923	DRIVE SHAFT 49.25"	1
	57924	DRIVE SHAFT 72.50"	
5	57925	DRIVE COUPLER	1
6	62037	YOKE 1.38"	1
7	58876	CROSS KIT U-JOINT 14E	1



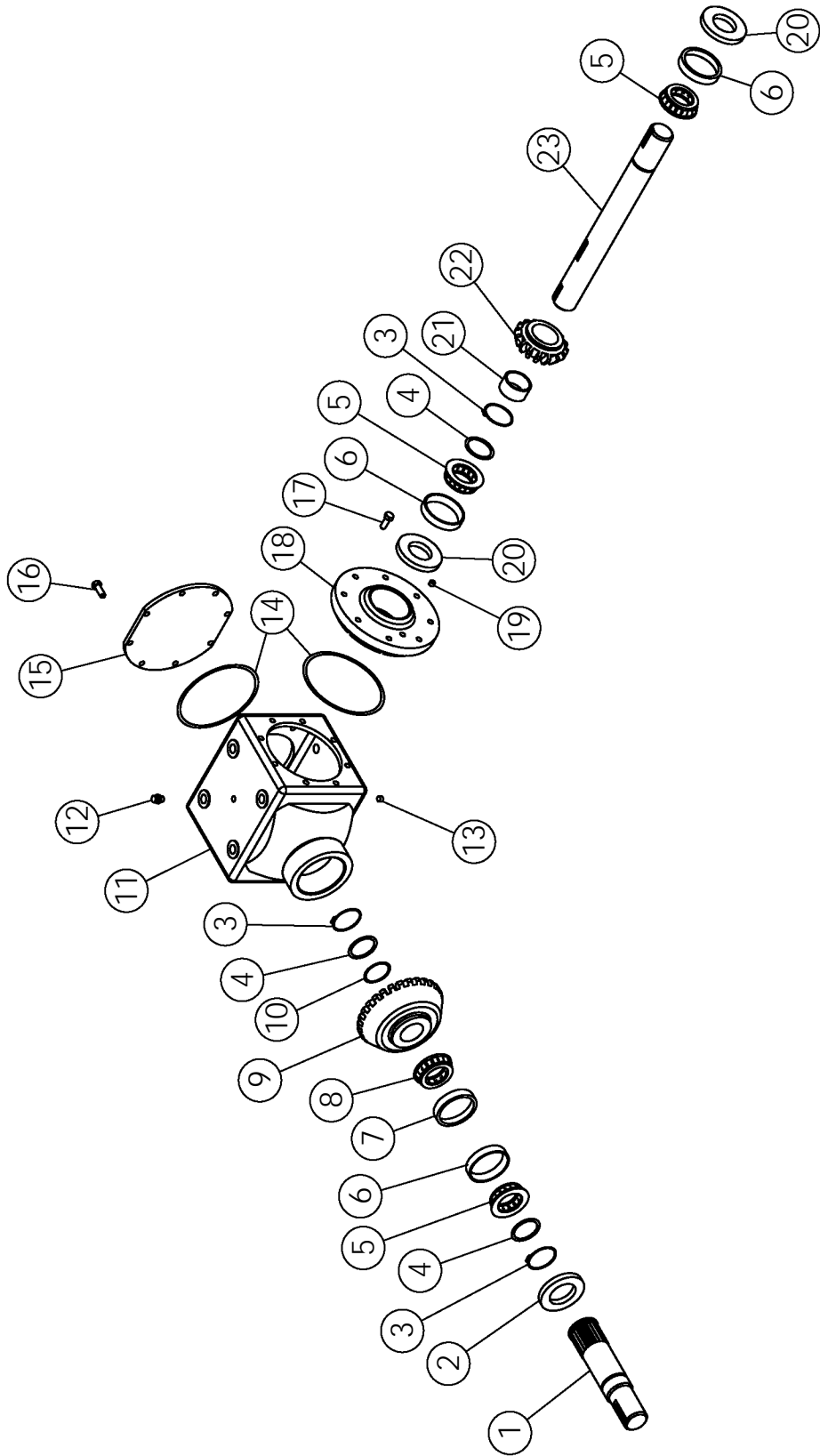
GEARBOX (1.81:1) #63846 (PRIMARY)

ITEM	PART NO.	DESCRIPTION	QTY
1	62721	QUILL SHAFT	1
2	62722	SEAL: 2.00 X 3.263	1
3	62724	SNAP RING	1
4	62723	WASHER 2.00 X .134	1
5	62725	BEARING CONE	1
6	62726	BEARING CUP	1
7	62727	BEARING CUP	1
8	62728	BEARING CONE	1
9	62729	PINION-16 TOOTH	1
10	62730	SHIM: 1.75 X .007	1
11	62731	WASHER 1.75 X .179	1
	68599	WASHER 1.75 X .135	
12	62732	SNAP RING	1
13	62733	CASE-900 SERIES	1
14	64408	VENT PLUG: .50 NPT (SQ. HD.)	1
15	62735	PLUG: .50 NPT	1
16	62736	SHIM-COVER	2
17	64434	PLATE	1
18	1011599	BOLT-HEX: .38 X .75 NC GR5 ZP	8
19	62738	BOLT-HEX: .38 X 1.00 NC GR5 NP	8
20	62742	COVER-OPEN .375 NPT	1
21	62743	PLUG: .38 NPT	1
22	62744	OIL SEAL: 1.75 X .313	2
23	62745	BEARING CUP	2
24	62746	BEARING CONE	2
25	64410	GEAR-29 TOOTH	1
26	64409	THRU SHAFT	1



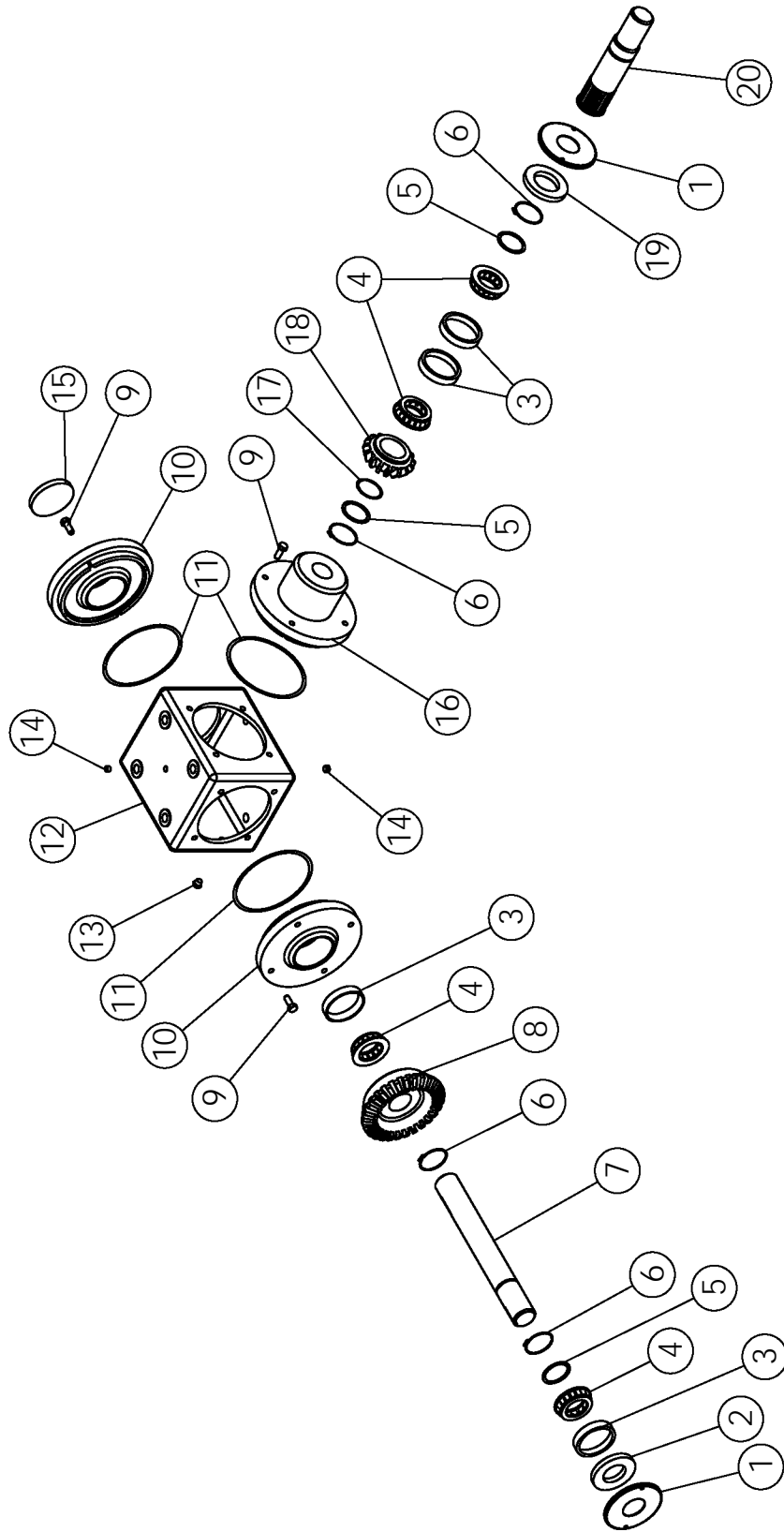
GEARBOX (1.81:1) #62396 (PRIMARY: ONBOARD OPTION)

ITEM	PART NO.	DESCRIPTION	QTY
1	62721	QUILL SHAFT	1
2	62722	SEAL: 2.00 - 3.26	1
3	62724	SNAP RING	2
4	62723	WASHER 2.00 X .13	2
5	62725	BEARING CONE	2
6	62726	BEARING CUP	2
7	62727	BEARING CUP	2
8	62728	BEARING CONE	2
9	62729	PINION-16 TOOTH	2
10	62730	SHIM: 1.75 X .007	3
11	62731	WASHER 1.75 X .179	2
	68599	WASHER 1.75 X .135	
12	62732	SNAP RING	2
13	62733	CASE-900 SERIES	1
14	64408	VENT PLUG: .50 NPT (SQ. HD.)	1
15	62735	PLUG: .50 NPT	1
16	62736	SHIM-COVER	2
17	62737	QUILL HOUSING	1
18	62738	BOLT-HEX: .38 X 1.00 NC GR5 NP	16
19	62739	QUILL SHAFT	1
20	62740	FLANGE: 'SAE B' -2.00 BOLT	1
21	62741	SFHCS: .38 X .75 NC GR5	4
22	62742	COVER-OPEN .38 NPT	1
23	62743	PLUG: .38 NPT	1
24	62744	OIL SEAL: 1.75 X .31	2
25	62745	BEARING CUP	2
26	62746	BEARING CONE	2
27	64410	GEAR-29 TOOTH	1
28	64409	THRU SHAFT	1



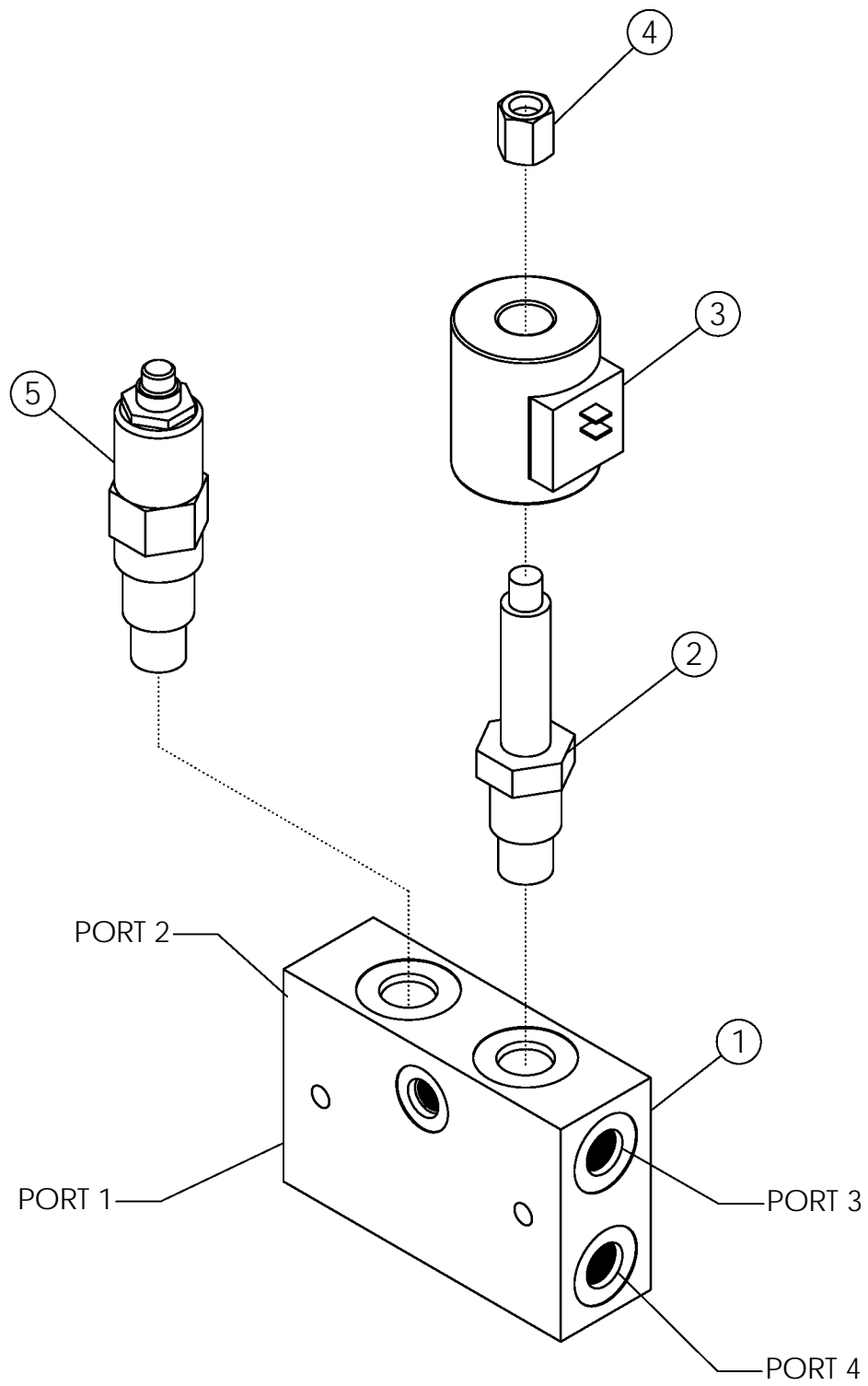
GEARBOX (1.35:1) #63847 (SECONDARY)

ITEM	PART NO.	DESCRIPTION	QTY
1	64435	QUILL SHAFT	1
2	64436	OIL SEAL	1
3	62732	SNAP RING	3
4	62731	WASHER 1.75 X .179	3
	68599	WASHER 1.75 X .135	
5	62746	BEARING CONE	3
6	62745	BEARING CUP	3
7	62727	BEARING CUP	1
8	64443	BEARING CONE	1
9	64444	GEAR-27 TOOTH	1
10	62730	SHIM: 1.75 X .007	1
11	62733	CASE-900 SERIES	1
12	64445	VENT PLUG: .50 NPT	1
13	62735	PLUG: .50 NPT	1
14	62736	SHIM-COVER	2
15	64434	PLATE	1
16	1011599	BOLT-HEX: .38 X .75 NC GR5 ZP	8
17	62738	BOLT-HEX: .375 X 1.00 NC GR5 NP	8
18	62742	COVER-OPEN .375 NPT	1
19	62743	PLUG: .375 NPT	1
20	62744	OIL SEAL: 1.75 X .313	2
21	64446	SPACER TUBE	1
22	64447	PINION-20T	1
23	64448	CROSS SHAFT	1



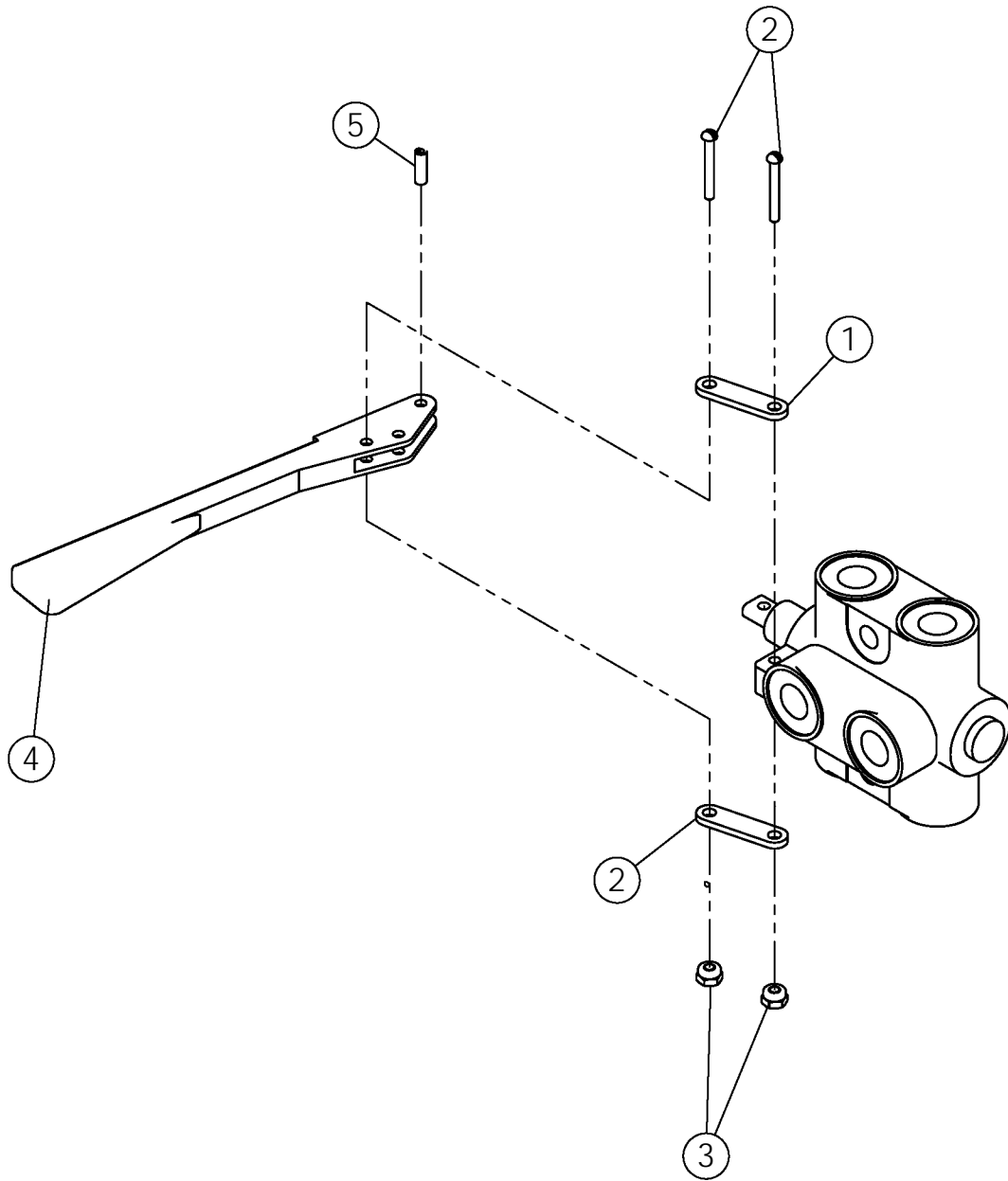
GEARBOX (1:1.35) # 63848 (REAR SCRUB)

ITEM	PART NO.	DESCRIPTION	QTY
1	64332	SHIELD	2
2	64449	OIL SEAL: 1.375 - 2.375	1
3	64450	BEARING CUP	4
4	64451	BEARING CONE	4
5	64452	WASHER: 2.00 X .179	3
6	64453	SNAP RING	4
7	64454	CROSS SHAFT	1
8	64455	GEAR-23 TOOTH	1
9	62738	BOLT-HEX: .38 X 1.00 NC GR5 NP	12
10	64456	COVER-OPEN	2
11	64457	SHIM-COVER	3
12	64458	CASE-M600-3 PORT	1
13	64333	T-VENT PLUG: .25 NPT (SQ. HD.)	1
14	62743	PLUG: .375 NPT	2
15	64459	EXPANSION PLUG	1
16	64460	COVER	1
17	64461	SHIM: 1.375 X .007	1
18	64462	PINION-17T	1
19	64463	OIL SEAL: 1.375 - 2.562	1
20	64464	PINION SHAFT	1



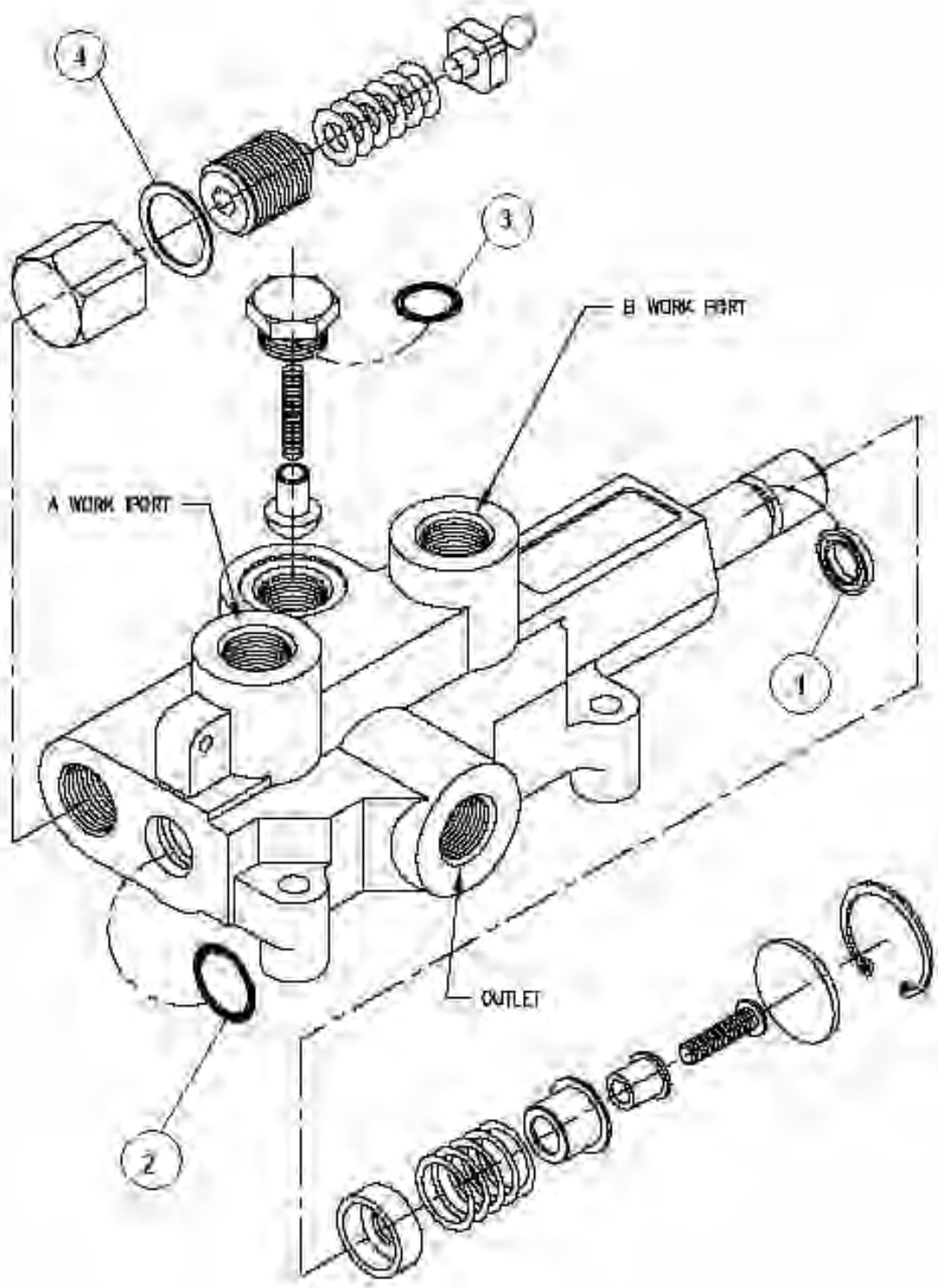
DUMP & RELIEF VALVE #64687

ITEM	PART NO.	DESCRIPTION	QTY
1	64702	BODY 2 X 2 PARALLEL MACHINED	1
2	64703	CARTRIDGE-SOLENOID	1
3	64704	COIL-12VDC DUAL SPADE	1
4	64752	NUT-COIL	1
5	64705	CARTRIDGE-RELIEF	1



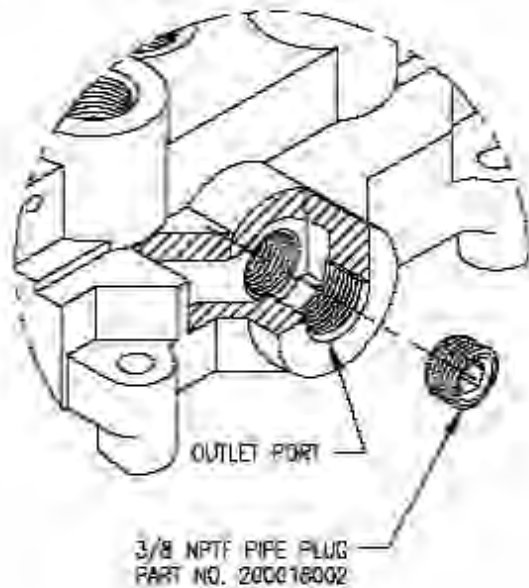
SELECTOR VALVE #58470

ITEM	PART NO.	DESCRIPTION	QTY
	64432	QUAD RING SEAL KIT	2
	58470-1	HANDLE KIT	1
1	68060	PLATE-TAB SELECTOR VALVE ZP	2
2	1011303	SCREW-MACH RND SLT: #10-24 X 1.25	2
3	65712	NUT-NYLOCK: 10-24 GR2 SS	2
4		HANDLE	1
5		SPRING PIN	1



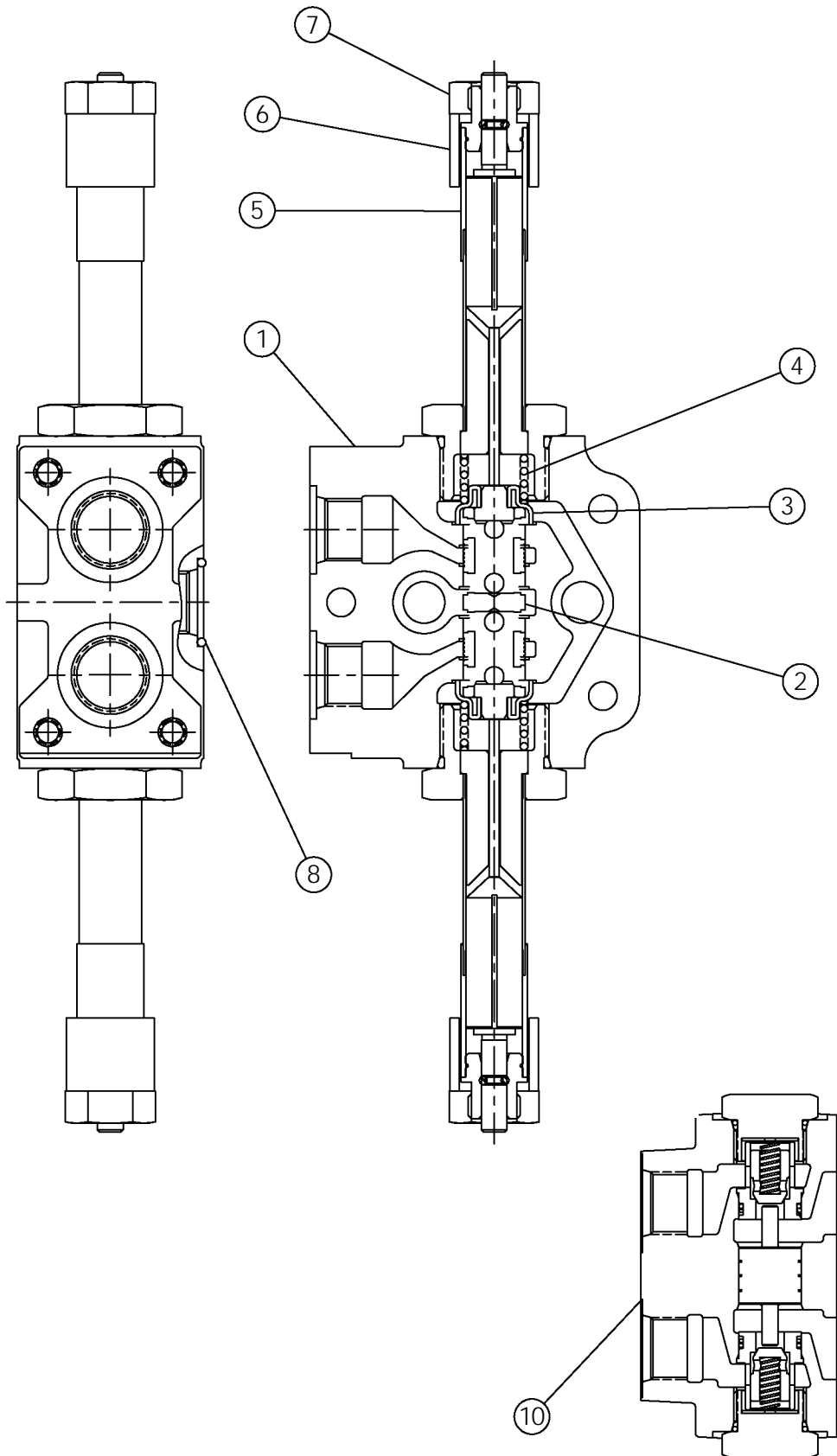
ROW FINDER VALVE #301150

ITEM	PART NO.	DESCRIPTION	QTY
	62757	SEAL KIT	
1		U-CUP	1
2		O-RING	1
3		O-RING	1
4		ALUMINUM WASHER	1



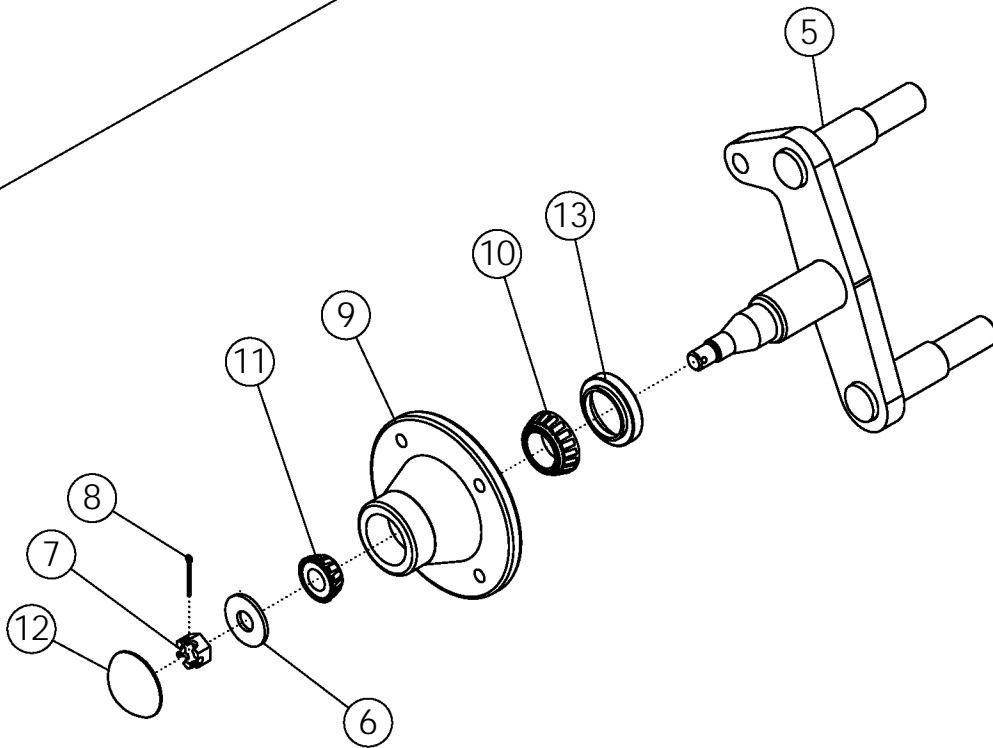
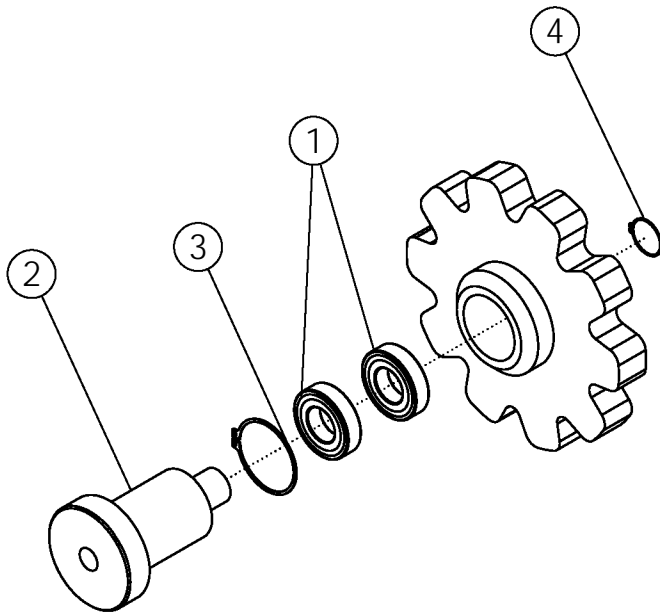
OPEN CENTER TO CLOSED CENTER CONVERSION

THIS FEATURE ALLOWS AN OTHERWISE OPEN CENTER VALVE TO BE CONVERTED TO CLOSED CENTER OPERATION. AS SHOWN ABOVE, A 3/8 NPTF PIPE PLUG IS INSTALLED IN THE BOTTOM OF THE OUTLET PORT TO BLOCK OPEN CENTER PASSAGE. A PIPE THREAD SEALANT SHOULD BE USED. THIS FEATURE IS STANDARD ON ALL VALVES WITH 3/4 NPTF INLET AND OUTLET PORTS. THE PIPE PLUG IS INCLUDED WITH THESE MODELS. DISCARD THE PIPE PLUG IF THE VALVE IS USED ON AN OPEN CENTER APPLICATION.



DIRECTIONAL CONTROL VALVE #63673 & 63687

ITEM	PART NO.	DESCRIPTION	QTY
	PARKER		
	HYDRAULICS		
1	4014383	BODY	1
2	6029640	SPOOL S/A	1
3	4014541	RETAINER	2
4	4014516	SPRING	2
5	6013082	TUBE S/A	2
6	4014550	SLEEVE	2
7	1006024	COIL NUT	2
8	2118N-7	O-RING	2
9	6034160L8	COIL (NOT SHOWN)	2
10	64413	VALVE-LOCK DOUBLE PILOT OPERATED	1



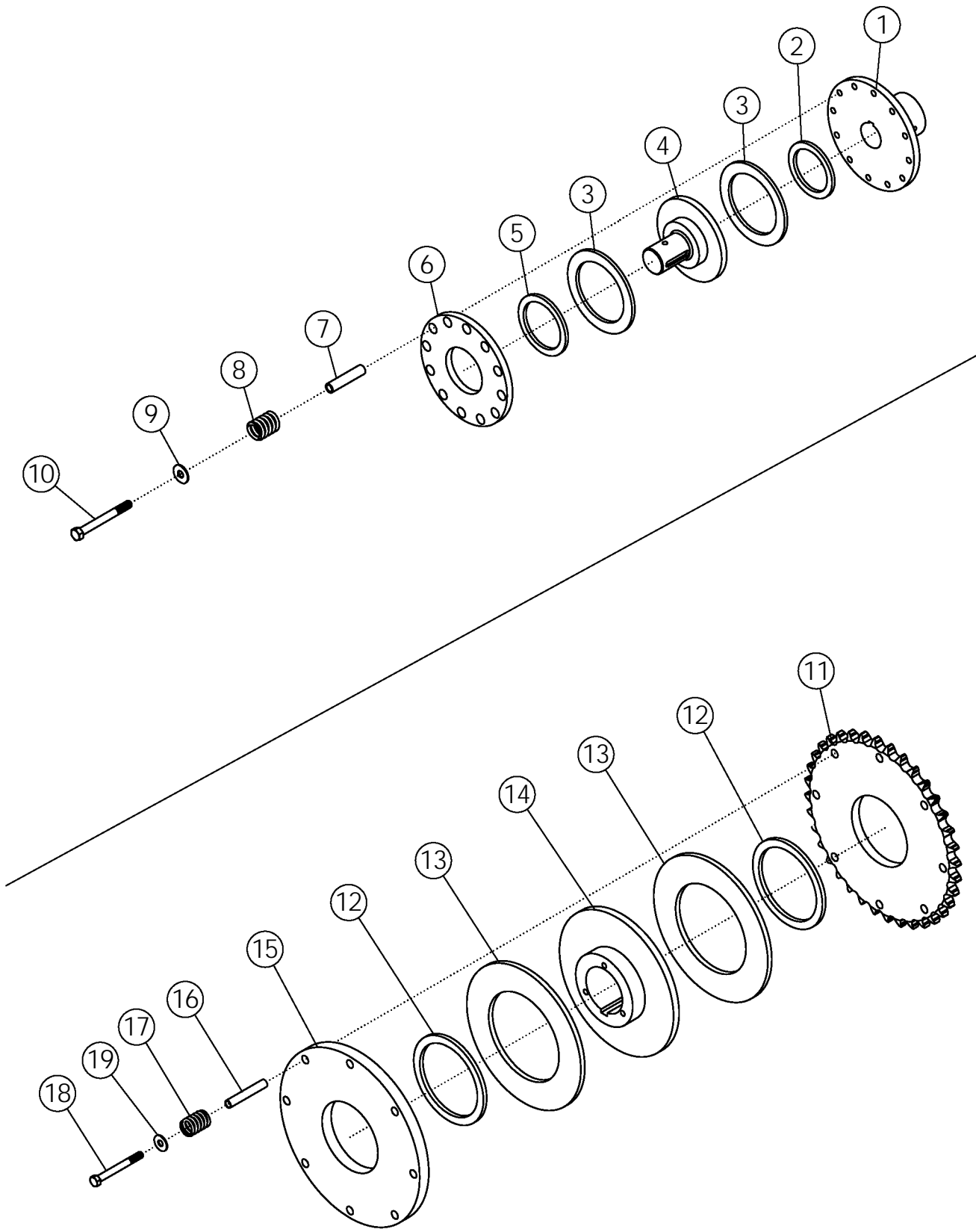
SPROCKET #63813

ITEM	PART NO.	DESCRIPTION	QTY
1	54108	BEARING 2"	2
4	56892	STUB SHAFT	1
3	54154	SNAP RING SR3	1
2	54151	SNAP RING SR11	1

BELT TIGHTENER #56422

ITEM	PART NO.	DESCRIPTION	QTY
5	56421	WLDMT - SPINDLE	1
6	1013623	BUSHING-MACH: .63 NP	1
7	1013625	NUT-HEX: SLOT .63 NF GR5 ZP	1
8	1013626	PIN-COTTER: .16 X 1.25 ZP	1
9	1015157*	HUB	1
10	1012356*	CONE-BEARING	1
11	1013620*	CONE-BEARING	1
12	1013622*	HUB CAP	1
13	1029527*	SEAL	1
14	56951	ASSY-HUB	1

*Items are included in item 14



SLIP CLUTCH (IN-LINE) #57926

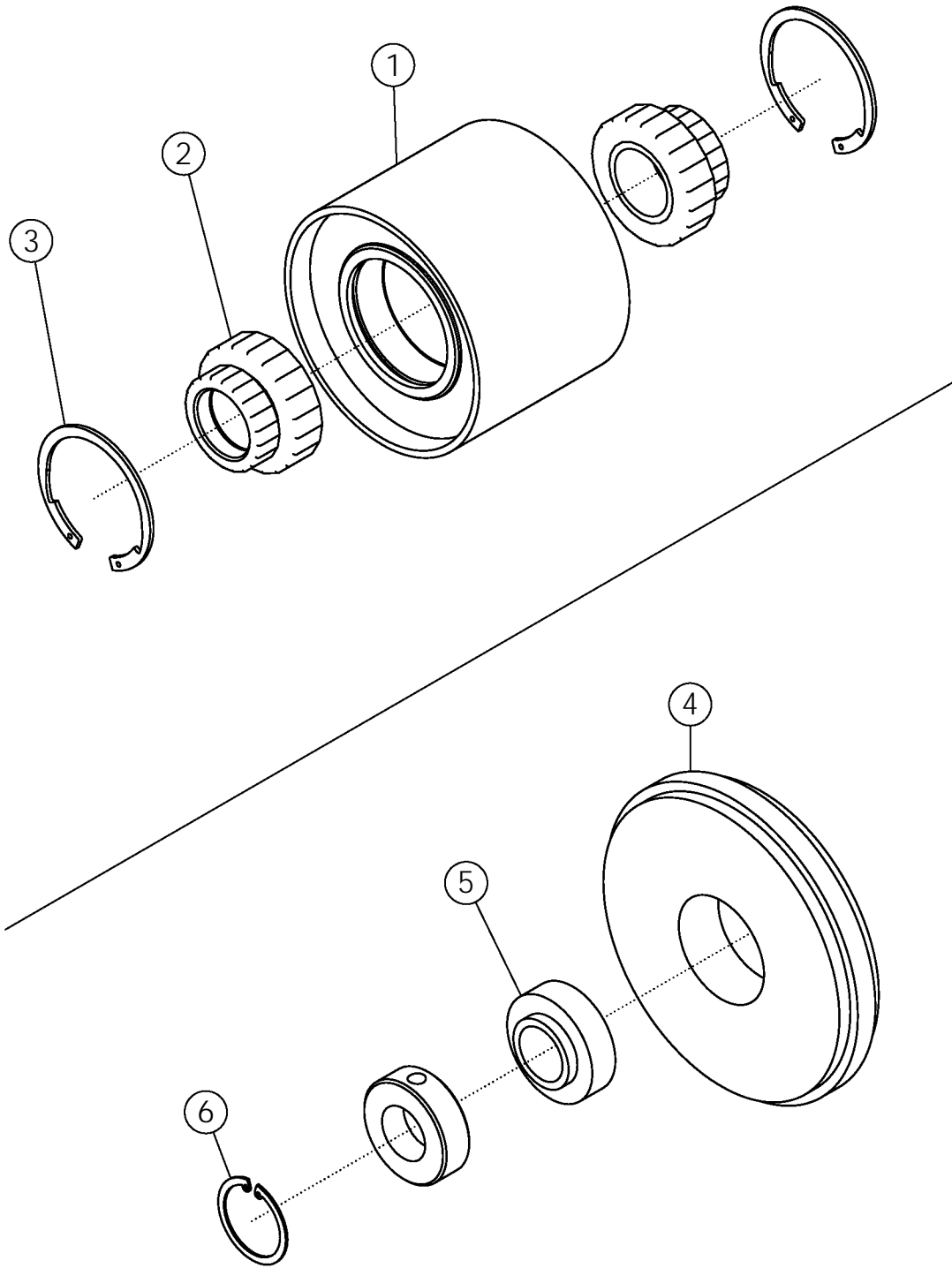
ITEM	PART NO.	DESCRIPTION	QTY
1	58168	HUB-DRIVE	1
2	58169	BUSHING-BRONZE	1
3	58170	DISC-FIBER	2
4	58171	HUB-SLIP CLUTCH	1
5	58172	BUSHING-BRONZE	1
6	58173	PLATE-SLIP CLUTCH	1
7	58565	TUBE-SLIP CLUTCH	6
8	58174	SPRING-SLIP CLUTCH	6
9	1011828	WASHER-FLAT: .38 ZP	6
10	1013239	BOLT-HEX: .38 X 3.00 NC GR5 ZP	6

SLIP CLUTCH/SPOCKET #57993

ITEM	PART NO.	DESCRIPTION	QTY
11	58177	SPROCKET	1
12	58207	BUSHING-BRONZE	2
13	58215	DISC-FIBER	2
14	58209	HUB-CLUTCH	1
15	58211	PLATE-SLIP CLUTCH	1
16	58213	TUBE-SLIP CLUTCH (2.870")	8
17	58174	SPRING-SLIP CLUTCH	8
18	58176	BOLT-HEX: .38 X 3.50 NC GR5 ZP	8
19	1011828	WASHER-FLAT: .38 ZP	8

SLIP CLUTCH/SPOCKET #58335

ITEM	PART NO.	DESCRIPTION	QTY
11	58566	SPROCKET	1
12	58208	BUSHING-BRONZE	2
13	58216	DISC-FIBER	2
14	58210	HUB-CLUTCH	1
15	58212	PLATE-SLIP CLUTCH	1
16	58565	TUBE-SLIP CLUTCH (PTG)	6
17	58174	SPRING-SLIP CLUTCH	6
18	1013239	BOLT-HEX: .38 X 3.00 NC GR5 ZP	6
19	1011828	WASHER-FLAT: .38 ZP	6

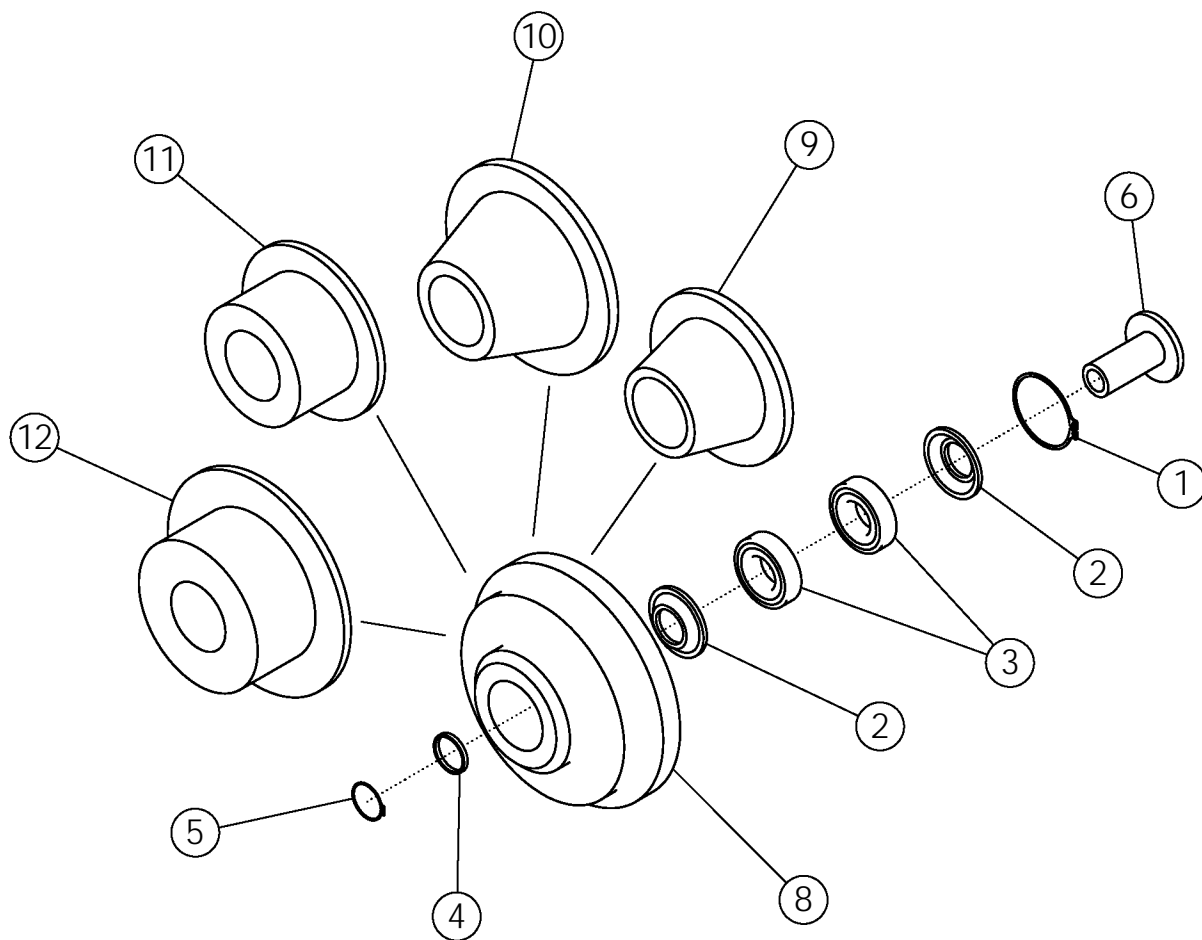
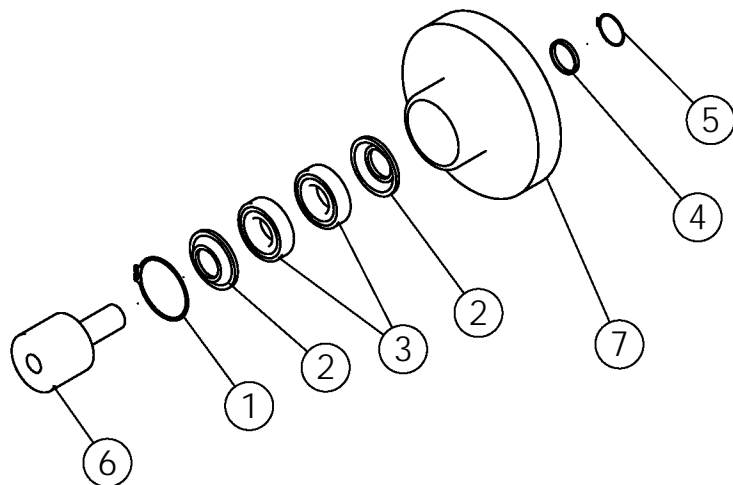


IDLER PULLEY #56406

ITEM	PART NO.	DESCRIPTION	QTY
1	56405	WLDMT-PULLEY	1
2	56399	BALL BEARING 1.75	2
3	56400	RETAINING RING	2

SPROCKET IDLER #56851

ITEM	PART NO.	DESCRIPTION	QTY
4	58807	ROLLER-IDLER	1
5	58806	BEARING-IDLER	1
6	58805	SNAP-RING	1

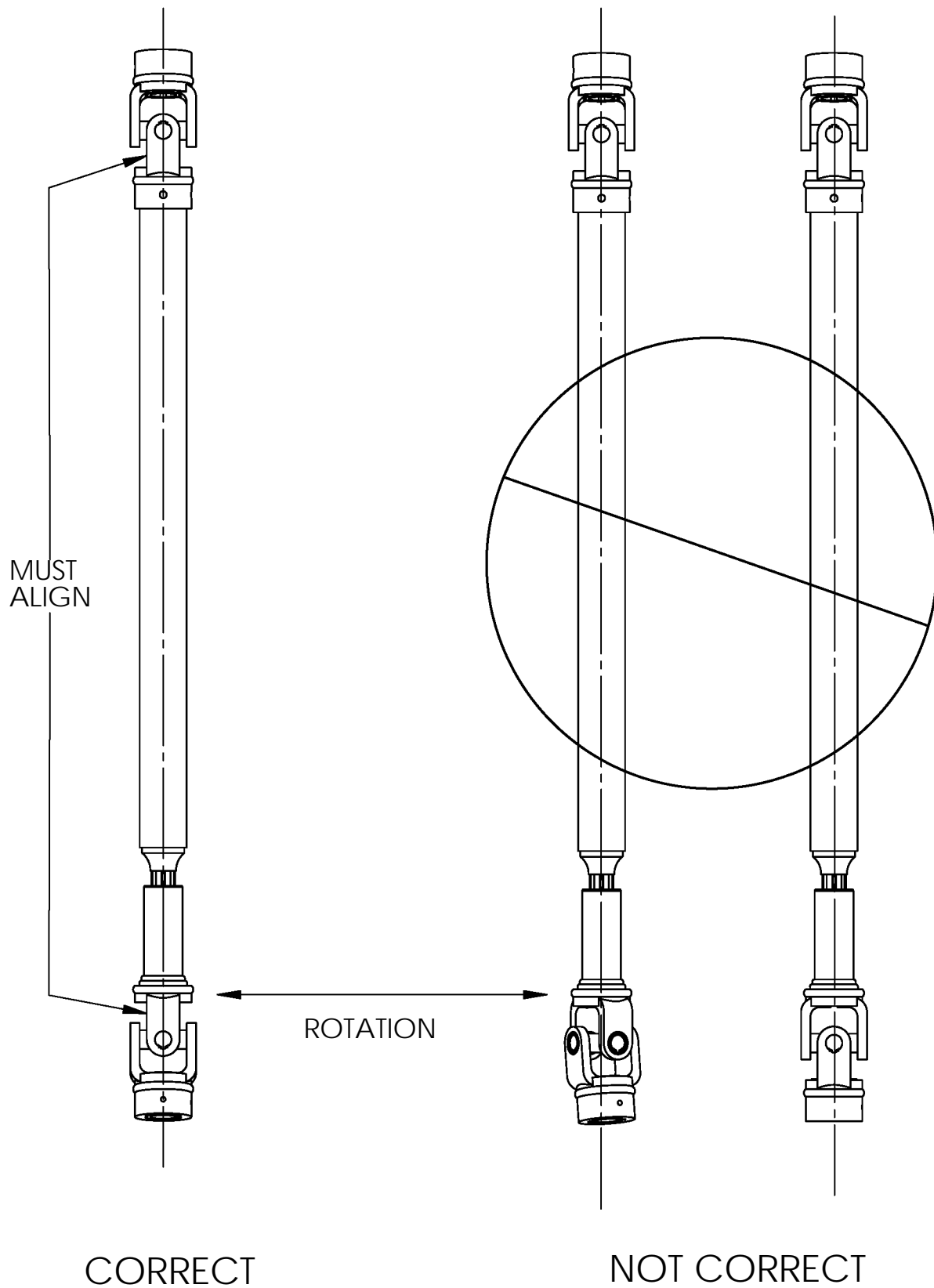


ROLLERS

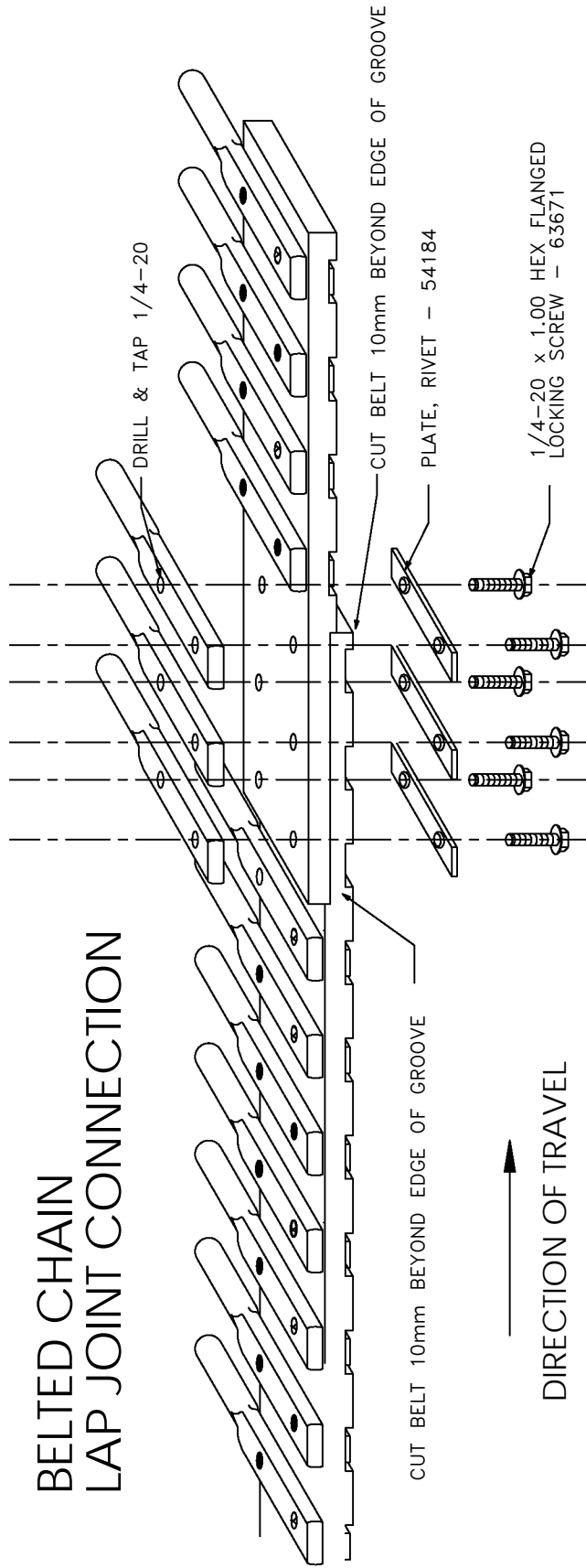
ITEM	PART NO.	DESCRIPTION	QTY
1	54151	SNAP RING SR11	1
2	54152	WASHER	2
3	54108	BEARING 2"	2
4	54153	SPACER-NRS	1
5	54154	SNAP RING SR3	1
6	56885	STUB SHAFT	1
7	54042*	ROLLER-STEP 6"	1
6	56889	STUB SHAFT	1
8	53951*	ROLLER-STEP FLANGE 7"	1
6	54155	STUB SHAFT	1
9	53699*	ROLLER-CONE 4"	1
6	54155	STUB SHAFT	1
10	53950*	ROLLER-CONE 6"	1
6	56887	STUB SHAFT	1
11	54041*	ROLLER-RUBBER FLANGE 5"	1
6	54155	STUB SHAFT	1
12	59057*	ROLLER-RUBBER FLANGE 6.5"	1

* COMES WITH ITEMS 1-6

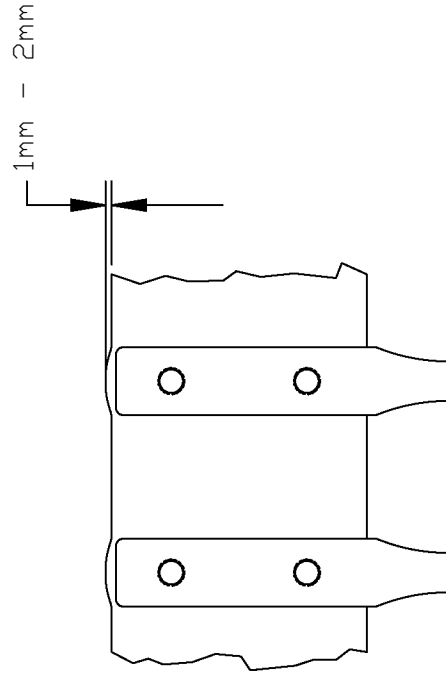
SCRUB DRIVELINE ASSEMBLY



BELTED CHAIN LAP JOINT CONNECTION



WARNING : ENSURE THAT SCREWS ARE SUFFICIENTLY TIGHT TO PRODUCE A BULGE AT THE EDGE OF THE BELT OF BETWEEN 1 AND 2mm (SEE DIAGRAM). FAILURE TO DO SO MAY CAUSE PREMATURE FAILURE AND VOID YOUR WARRANTY

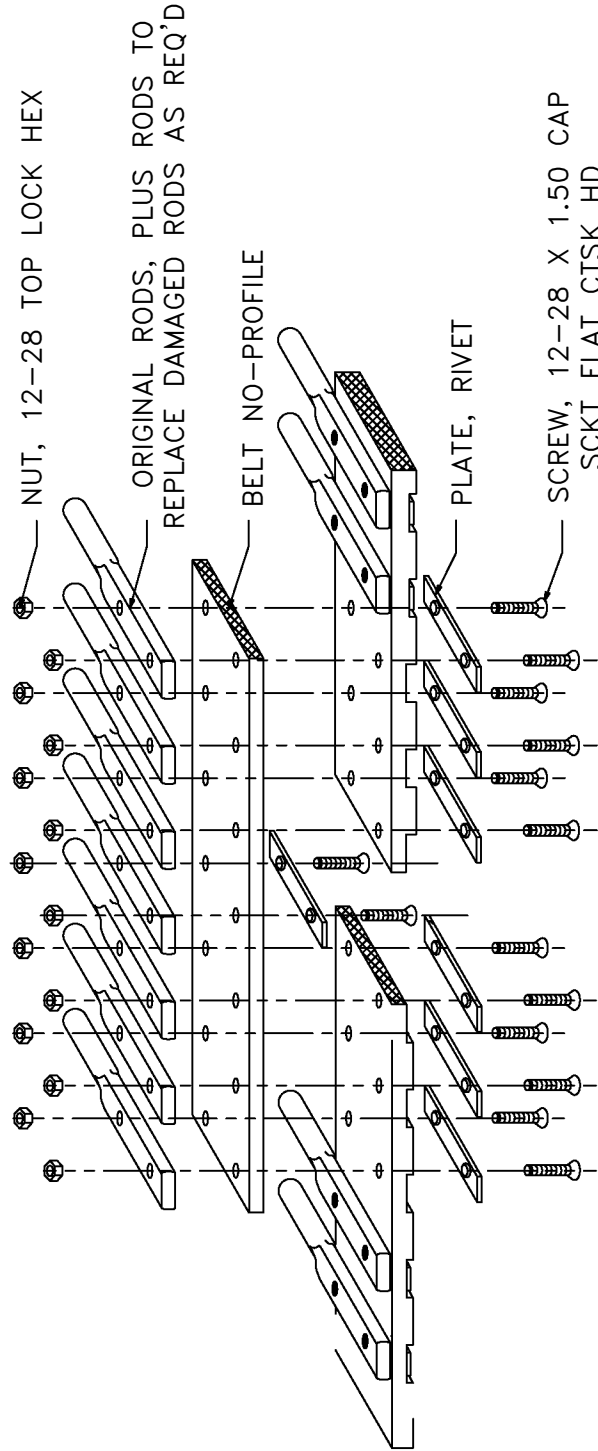


.50 Ø RODS
DRILL & TAP .250-20
STRAIGHT - #59168
UP - #64757
DOWN - #59169

REPAIR KIT - BELTED CHAIN #59180

KIT CONSISTS OF:

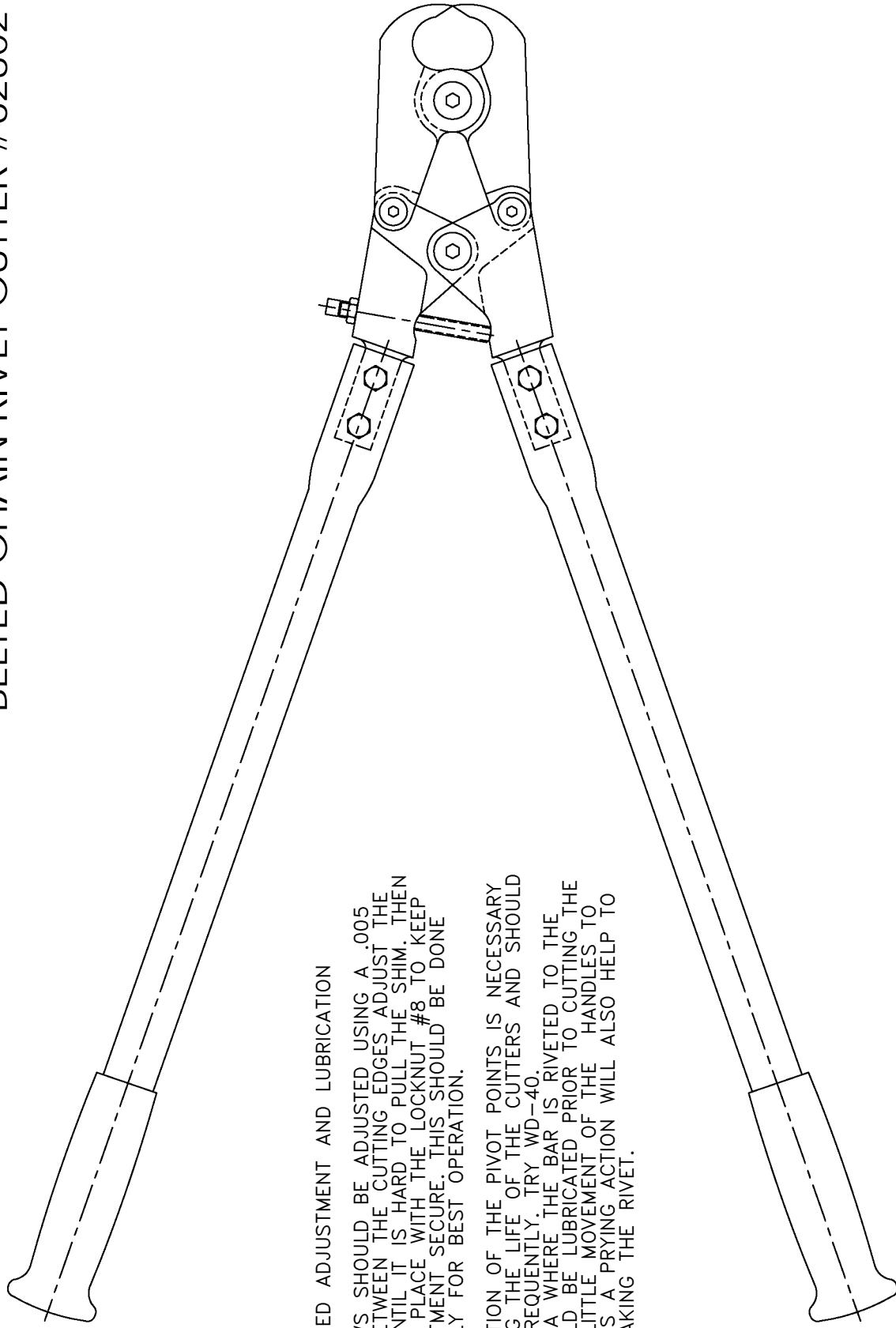
- 1.25 FT - BELT, NO-PROFILE
- 8 EA - PLATE, RIVET
- 16 EA - SCREW
- 16 EA - NUT



REPAIR PROCEDURE

1. REMOVE RIVETS 3 PITCHES (MIN) EACH SIDE OF DAMAGED BELT.
2. TRIM OUT DAMAGED BELT.
3. CUT NO-PROFILE BELT TO GIVE MINIMUM OF 3 PITCHES OVERLAP BOTH SIDES OF DAMAGE.
4. LAY NO-PROFILE BELT ON BELT TO BE REPAIRED AND DRILL HOLES TO MATCH PITCH.
5. ASSEMBLE AS SHOWN.
6. TIGHTEN SCREWS TO FORM APPROXIMATELY 2mm BELT SWELL AT BOLTED JOINT.
7. CUT OFF SCREWS NEXT TO NUTS.
8. PEEN SCREWS TO SECURE NUTS.

BELTED CHAIN RIVET CUTTER #62802



RECOMMENDED ADJUSTMENT AND LUBRICATION

1. THE JAWS SHOULD BE ADJUSTED USING A .005 IN. SHIM BETWEEN THE CUTTING EDGES. ADJUST THE BOLT #7 UNTIL IT IS HARD TO PULL THE SHIM. THEN LOCK IT IN PLACE WITH THE LOCKNUT #8 TO KEEP THE ADJUSTMENT SECURE. THIS SHOULD BE DONE PERIODICALLY FOR BEST OPERATION.
2. LUBRICATION OF THE PIVOT POINTS IS NECESSARY TO PROLONG THE LIFE OF THE CUTTERS AND SHOULD BE DONE FREQUENTLY. TRY WD-40.
3. THE AREA WHERE THE BAR IS RIVETED TO THE BELT SHOULD BE LUBRICATED PRIOR TO CUTTING THE RIVETS. A LITTLE MOVEMENT OF THE HANDLES TO THE SIDE AS A PRYING ACTION WILL ALSO HELP TO FINISH BREAKING THE RIVET.