

PARTS MANUAL

2022

3300 DEFOLIATOR

6 ROW 22

4 ROW 30

Amity
TECHNOLOGY



2800 7th Avenue North
Fargo, ND 58102

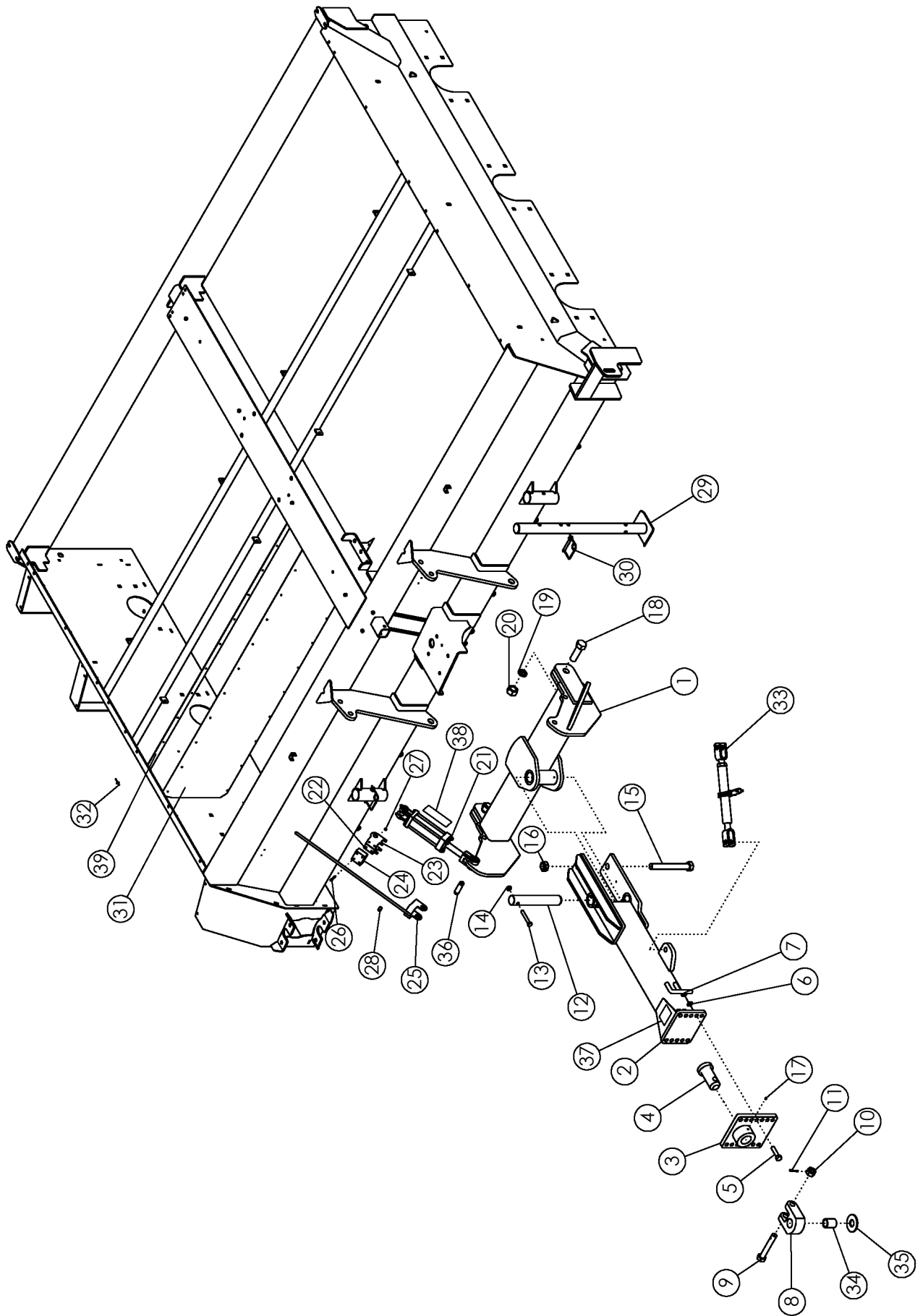
Phone: (701) 232-4199

Fax: (701) 234-1716

www.amitytech.com

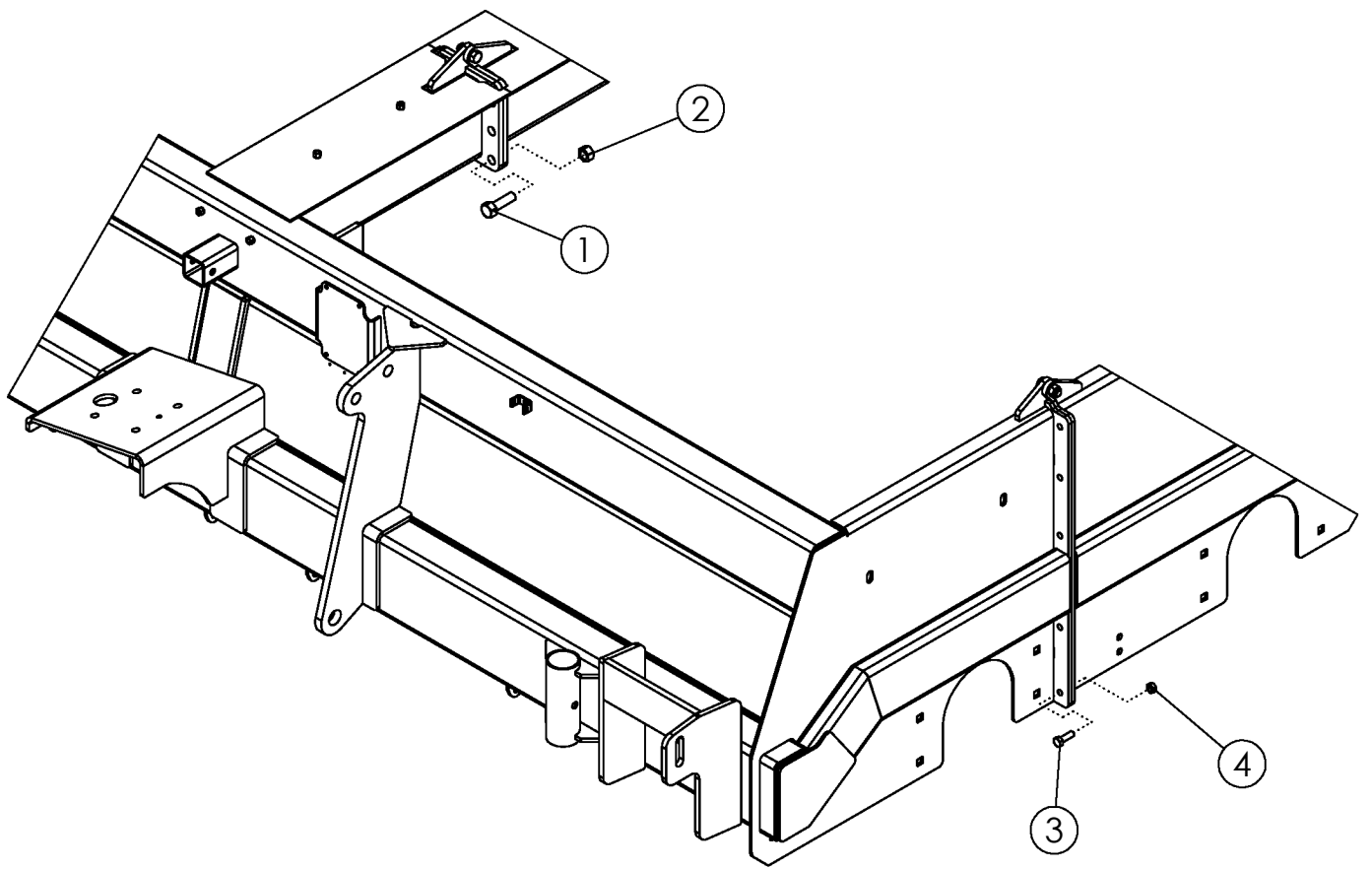
TABLE OF CONTENTS

HITCH ASSEMBLY.....	1-2
MAIN FRAME ASSEMBLY.....	3-4
DRIVE TRAIN.....	5-6
#1 FLAILS.....	7-12
#2 FLAILS.....	13-16
#3 FLAILS.....	17-24
FLAIL TUBE ASSEMBLY.....	25-26
FLAIL TUBE ASSEMBLY (306837)	27-28
FLAIL TUBE MOUNTING.....	29-30
FLAIL TUBE MOUNTING- STEEL FRONT DRUM OPTION.....	31-32
DOORS AND SHIELDS.....	33-36
STANDARD REAR STRUTS- 7.6 X 15 TIRES.....	37-38
STANDARD REAR STRUTS- 11.4 X 24 TIRES.....	39-40
REAR STRUT HYDRAULICS- 11.4 X 24 TIRES.....	41-42
STEERABLE REAR STRUTS- 11.2 X 24 TIRES.....	43-46
STEERABLE REAR STRUTS- 7.6 X 15 TIRES.....	47-50
SCALPER BAR ASSEMBLY.....	51-52
SCALPER BASKET.....	53-54
VALVE BLOCK AND MOUNT.....	55-58
SCALPER HYDRAULICS.....	59-60
HITCH HYDRAULICS.....	61-62
LIGHT KIT.....	63-64
SELF CENTERING RF- SCALPER MOUNTED.....	65-66
SCALPER MOUNTED RF HYDRAULICS.....	67-68
FRAME MOUNTED RF.....	69-70
ASSY- ROW FINDER MOUNT.....	71-72
FRAME MOUNTED RF HYDRAULICS.....	73-74
ROW FINDER.....	75-78
DECALS.....	79-82
GEARBOX-L TYPE (1.57:1) #52391, (1:1) #52392.....	83-84
GEARBOX- T TYPE (1:1.57) #52379, (1.57:1) #52393.....	85-86
GEARBOX- T TYPE (1:1 W OVERRUN) #59189.....	87-88
STANDARD PTO (1-3/8" & 1-3/4") #69679 & #69680.....	89-90
1-3 /8" CONSTANT VELOCITY PTO #69681.....	91-92
1-3 /4" CONSTANT VELOCITY PTO #69682.....	91-92
CLUTCH- TORQUE LIMITER #305196(CV) & 305198(STD).....	93-94
FRONT SIDE DRIVELINE #52399 & #68604.....	95-96
SIDE DRIVELINE #52397.....	95-96
HYDRALIC LABEL ASSY.....	97-98
SNAP RING PLIERS.....	99



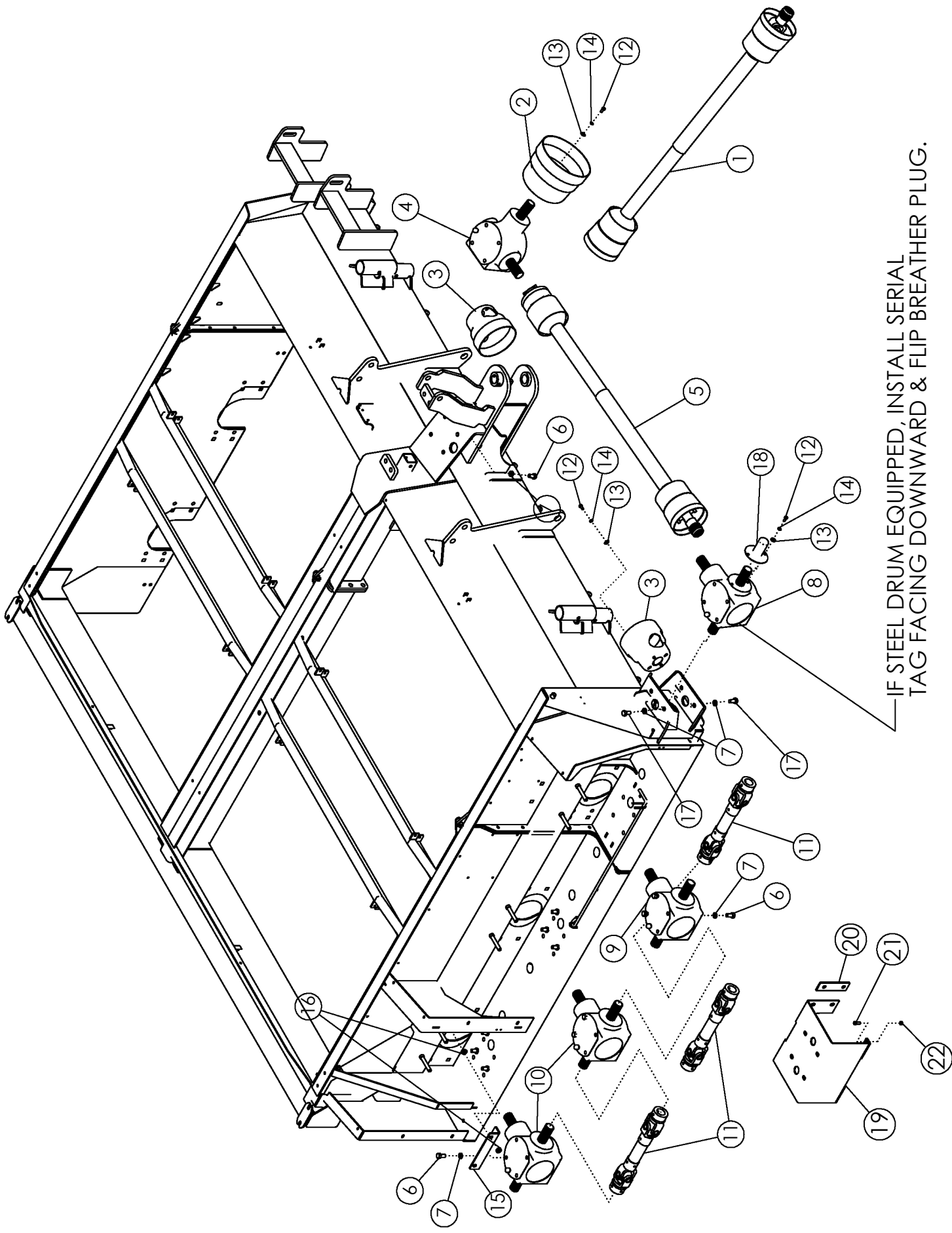
HITCH ASSEMBLY

ITEM	PART NO.	DESCRIPTION	QTY
1	50341	WLDMT - STD HITCH PIVOT	1
2	68277	WLDMT - DRAWPOLE DEF	1
3	57930	WLDMT-HITCH PLATE	1
4	62101	WLDMT-PIN	1
5	1012059	BOLT-HEX: .75 X3.00 NC GR5 ZP	6
6	1012061	WASHER-LOCK: .75 ZP	6
7	1011620	NUT-HEX: .75 NC GR2 ZP	6
8	64476	PLATE-PULL HITCH	1
9	62477	BOLT-HITCH DRILLED	1
10	62088	NUT-SLOTTED: 1.13 NC GR5 ZP	1
11	1013473	PIN-COTTER: .19 X 2.00 NP	1
12	50678	PIN	1
13	1015117	BOLT-HEX: .63 X4.00 NC GR8 ZP	1
14	1016595	NUT-TOPLOCK: .63 NC GR5 ZP	1
15	1030756	BOLT-HEX: 1.25 X 10.50 NC GR5 ZP	1
16	1030759	NUT-TOPLOCK: 1.25 NC ZP	1
17	1011748	ZERK - GREASE	5
18	1030757	BOLT-HEX: 1.38 X4.25 NC GR5 ZP	2
19	1030760	WASHER-LOCK: 1.38 ZP	2
20	1030758	NUT-HEX: 1.38 NC ZP	2
21	58891	CYLINDER-HYDRAULIC 4 X 8" 3000	2
	301315	SEAL KIT FOR 58891	
22	63995	TOP_BRACKET - RH	1
23	63996	TOP_BRACKET - LH	1
24	63383	POLY GUIDE BLOCK	1
25	63999	WLDMT - BOTTOM_BRACKET	1
26	1016211	BOLT-HEX: .25 X 2.00 NC GR5	4
27	1030946	NUT-TOPLOCK: .25 NC GR5 ZP	4
28	63359	COLLAR-SET: .56 ZP	1
29	52073	WLDMT-STAND	2
30	52408	SPRING PIN: .50 X 3.50	2
31	305029	LINER-FRONT	2
32	56886	RIVET-POP: .19 X .675 ZP	36
33	52407	RATCHET JACK-PAINTED	1
34	64615	TUBE-SPACER 2.00 X 1.25	1
	64614	TUBE-SPACER 2.00 X 1.63	
35	58925	WASHER-HARDENED: 4.00 X 1.63	1
36	63406	PIN-CLEVIS: 1.00 X 4.00 ZP	1
37	52248	DECAL-CAUTION	1
38	63405	DECAL-DEPTH GAUGE	1
39	305036	BAR-LINER RETAINER 6R	2



FRAME HARDWARE

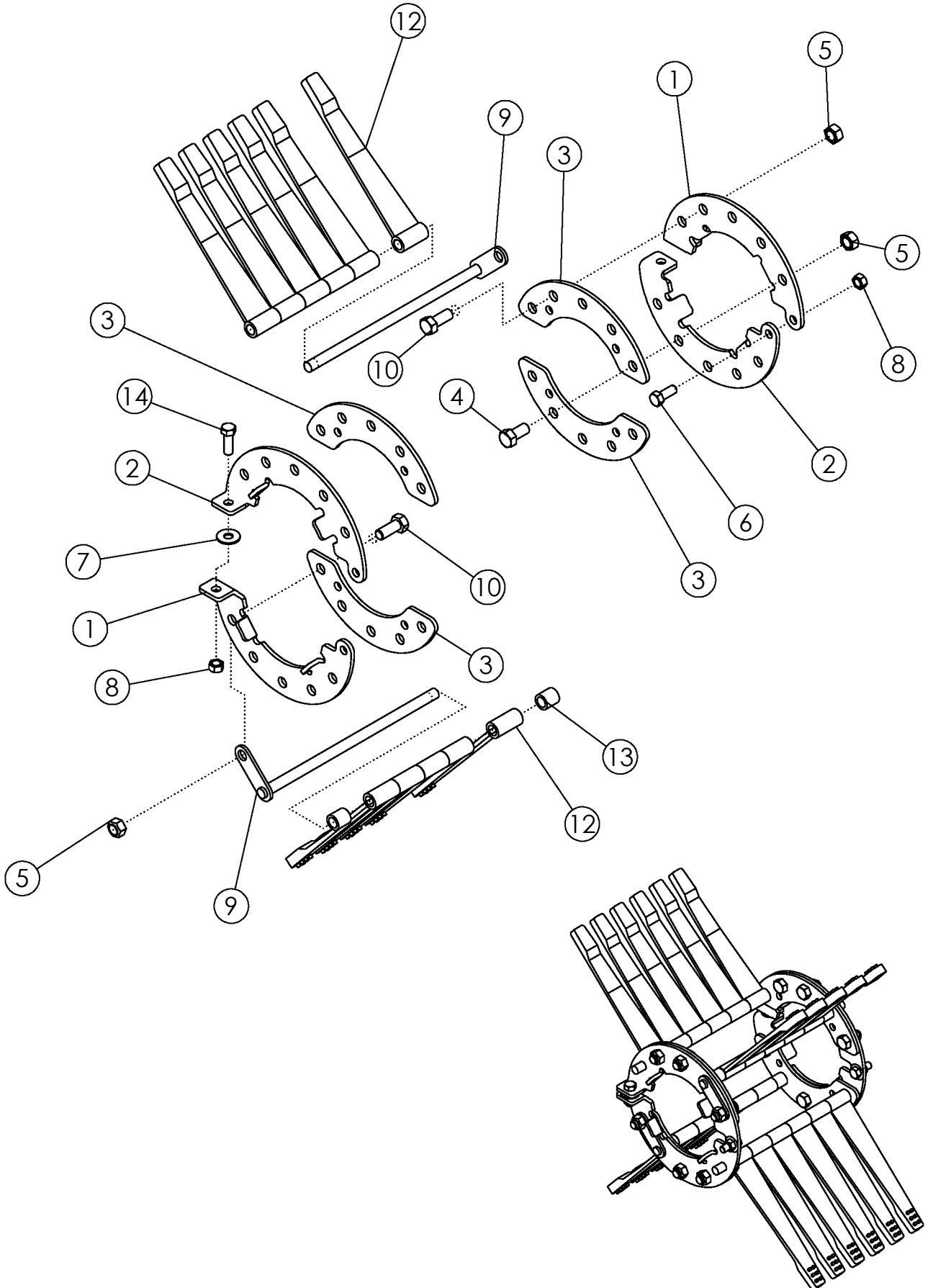
ITEM	PART NO.	DESCRIPTION	QTY
1	1016598	BOLT- HEX: .75 X 2.50 NC GR5 ZP	6
2	1017000	NUT-TOPLOCK: .75 NC GR5 ZP	6
3	1011607	BOLT-HEX: .50 X 1.50 NC GR5 ZP	22
4	1027461	NUT-TOPLOCK: .50 NC GR5 ZP	22



—IF STEEL DRUM EQUIPPED, INSTALL SERIAL TAG FACING DOWNWARD & FLIP BREATHER PLUG.

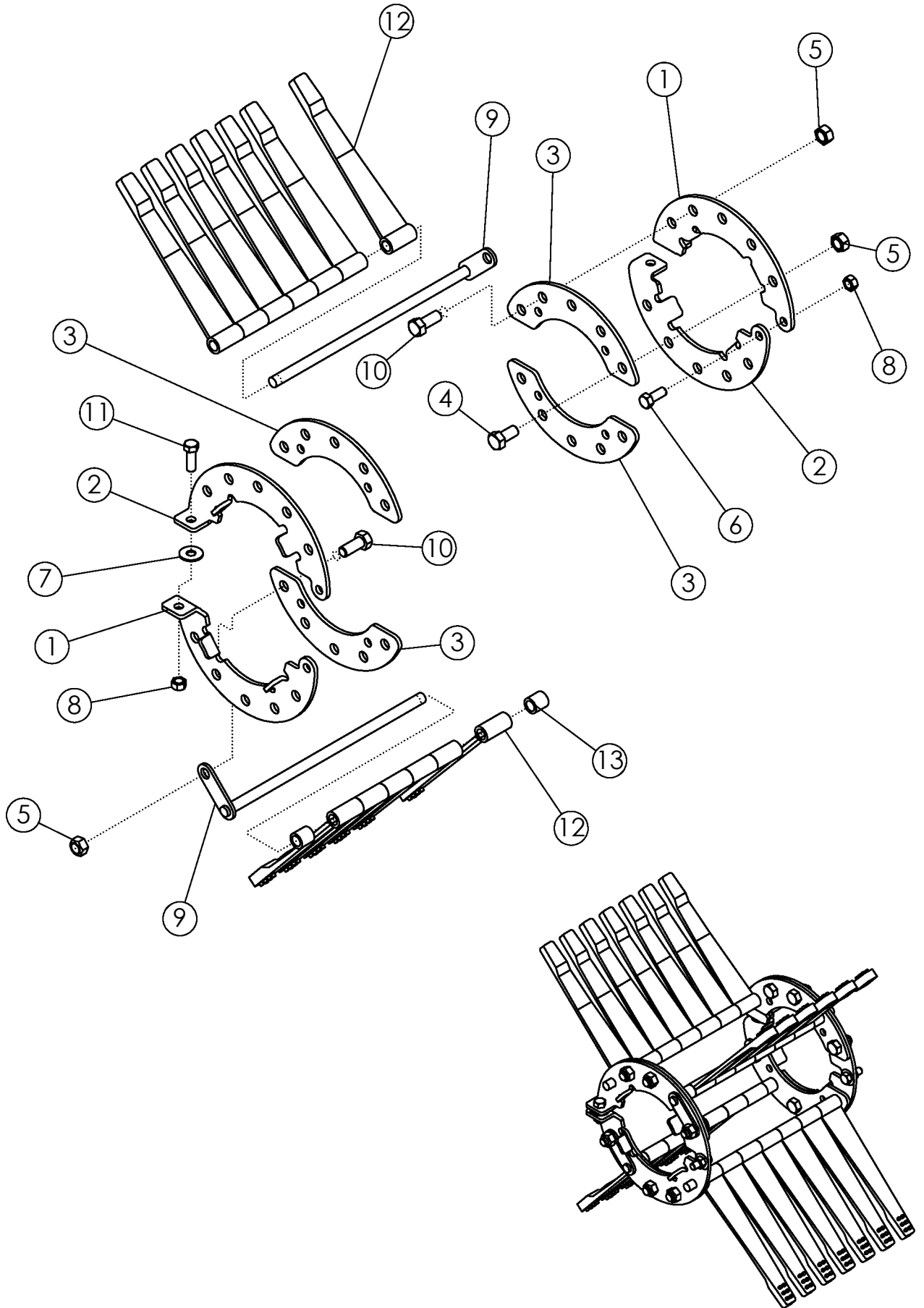
DRIVE TRAIN			
ITEM	PART NO.	DESCRIPTION	QTY
1	69681	CONSTANT VELOCITY PTO 1-3/8"	1
	69682	CONSTANT VELOCITY PTO 1-3/4"	
	69679	STANDARD PTO 1-3/8"	
	306404	PTO-STD 1-3/4"-20 (DEF)	
2	52389	SHIELD CONE-LARGE	1
3	63972	SHIELD-CONE SMALL DRILLED	2
4	52391	GEARBOX 1.57:1 2WAY	1
5	306416	CROSS SHAFT	1
6	1030703	BOLT-HEX: .63 X 1.25 NF GR5 ZP	22
7	1011813	WASHER-LOCK: .63 ZP	26
8	59189	GEARBOX 1:1 2 WAY W/CLUTCH	1
9	52393	GEARBOX 1.57:1 (NON-STEEL FLAIL)	1
	52379	GEARBOX 1:1.57 (STEEL FLAIL)	1
10	52393	GEARBOX 1.57:1	2
11	52397	DRIVELINE-SIDE	3
12	1011599	BOLT-HEX: .38 X .75 NC GR5 ZP	14
13	1011828	WASHER-FLAT: .38 ZP	14
14	1011586	WASHER-LOCK: .38 ZP	14
15	305030	ANGLE	3
16	1026259	NUT-JAM: .63 NC GR2 ZP	12
17	1032509	BOLT-HEX: .63 X 1.25 NC GR5 ZP	4
18	59762	COVER-SHAFT	1
19	307313*	WLDMT-GEARBOX BRACE	1
20	306096*	PLATE-GEARBOX BRACE BACKING	2
21	1011600*	BOLT-HEX: .38 X 1.00 NC GR5 ZP	4
22	1016999*	NUT-TOPLOCK: .38 NC GR5 ZP	4

*USED ON STEEL FRONT DRUM ONLY



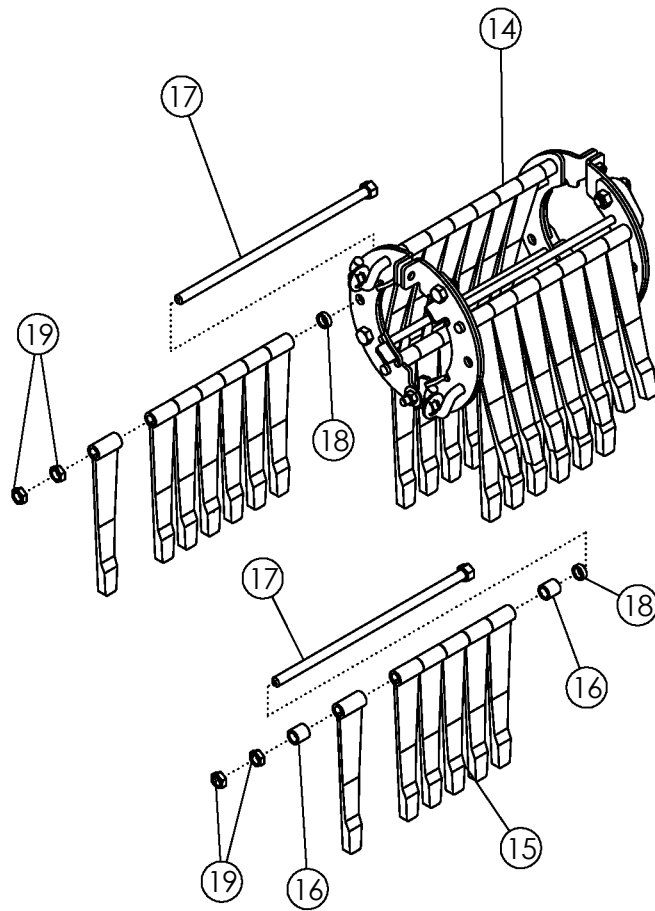
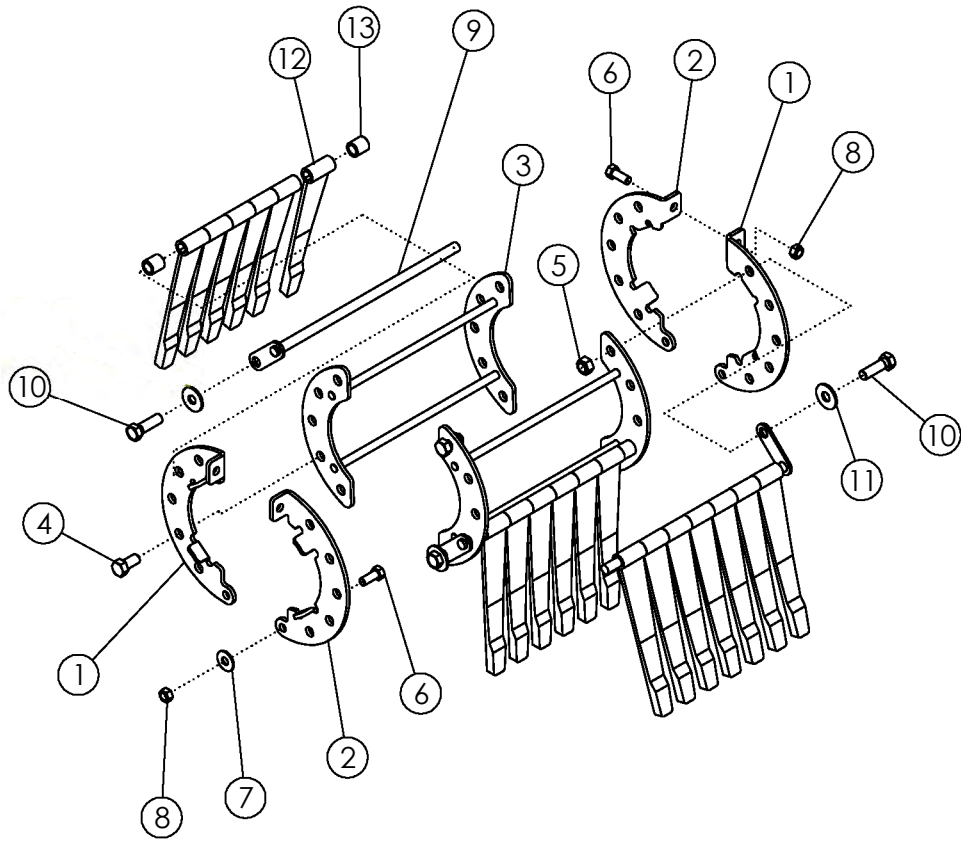
**RUBBER FLAILS ON #1 DRUM FORWARD
22" SPACING (#52123)**

ITEM	PART NO.	DESCRIPTION	QTY
1	52062	FLAIL RING-LH	2
2	52061	FLAIL RING-RH	2
3	58084	PLATE-REINFORCEMENT ZP	4
4	1032509	BOLT-HEX: .63 X 1.25 NC GR5 ZP	8
5	1016595	NUT-TOPLOCK: .63 NC GR5 ZP	12
6	1011606	BOLT-HEX: .50 X 1.25 NC GR5 ZP	2
7	1014443	WASHER-FLAT: .50 ZP	2
8	1027461	NUT-TOPLOCK: .50 NC GR5 ZP	4
9	305557	FLAIL ROD	4
10	1014349	BOLT-HEX: .63 X 1.50 NC GR5 ZP	4
11	1013024	WASHER-FLAT: .63 ZP	4
12	52356	FLAIL-STUDDERED 1 X 12	22
13	51549	SPACER 1	4
14	1011607	BOLT-HEX: .50 X 1.50 NC GR5 ZP	2



RUBBER FLAILS ON #1 DRUM FORWARD 30" SPACING

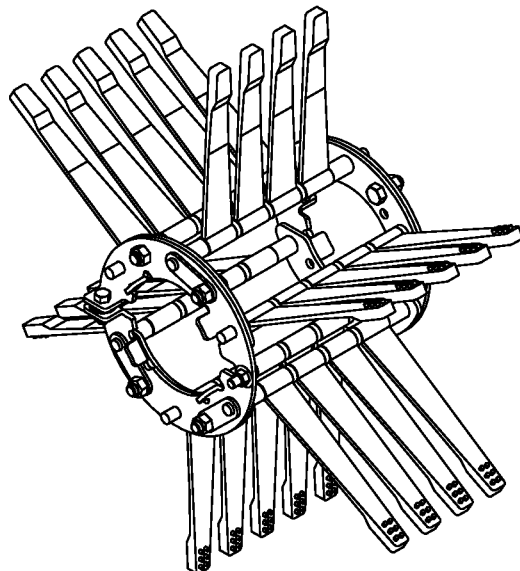
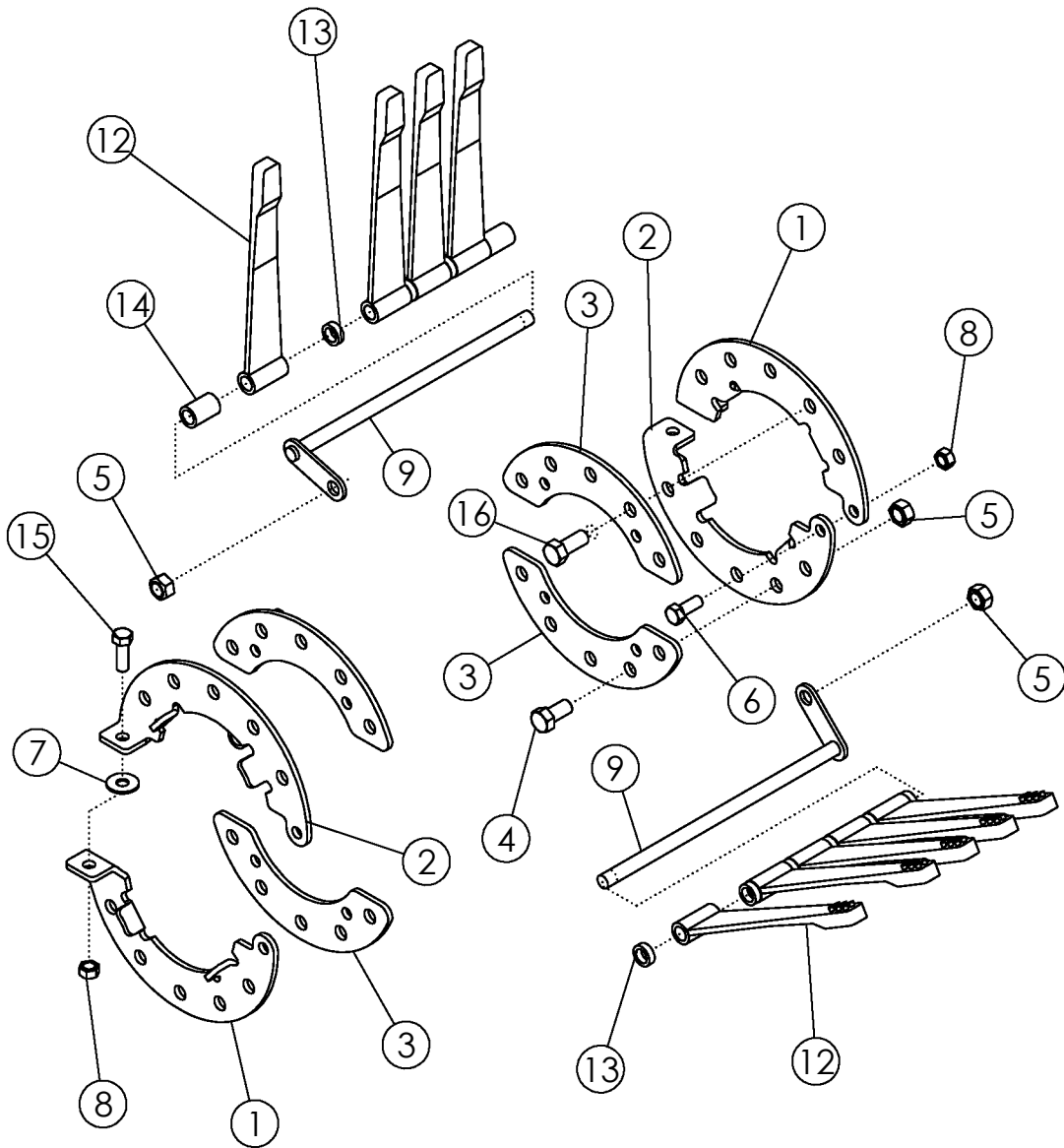
ITEM	PART NO.	DESCRIPTION	QTY
1	52062	FLAIL RING-LH	2
2	52061	FLAIL RING-RH	2
3	58084	PLATE-REINFORCEMENT ZP	4
4	1032509	BOLT-HEX: .63 X 1.25 NC GR5 ZP	8
5	1016595	NUT-TOPLOCK: .63 NC GR5 ZP	12
6	1011606	BOLT-HEX: .50 X 1.25 NC GR5 ZP	2
7	1014443	WASHER-FLAT: .50 ZP	2
8	1027461	NUT-TOPLOCK: .50 NC GR5 ZP	4
9	305556	FLAIL ROD	4
10	1014349	BOLT-HEX: .63 X 1.50 NC GR5 ZP	4
11	1011607	BOLT-HEX: .50 X 1.50 NC GR5 ZP	2
12	52356	FLAIL-STUDDER 1 X 12	26
	52354	FLAIL-RUBBER 1 X 12 (PREMIER)	
	307261	FLAIL-RUBBER 2 X 12	
13	51549	SPACER 1	4



RUBBER FLAILS ON #1 DRUM REVERSE 30" SPACING

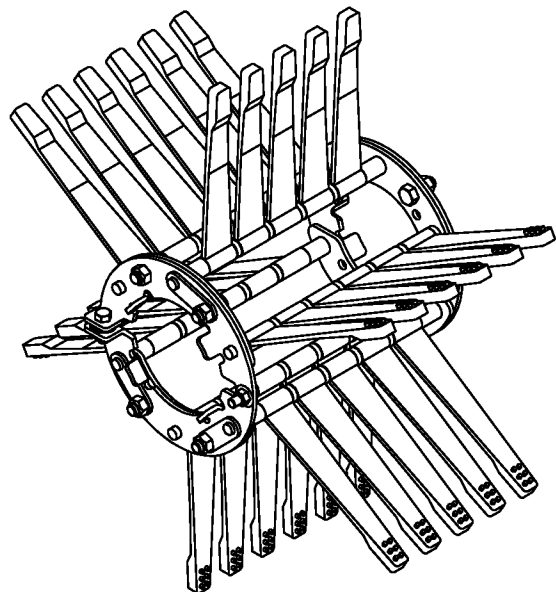
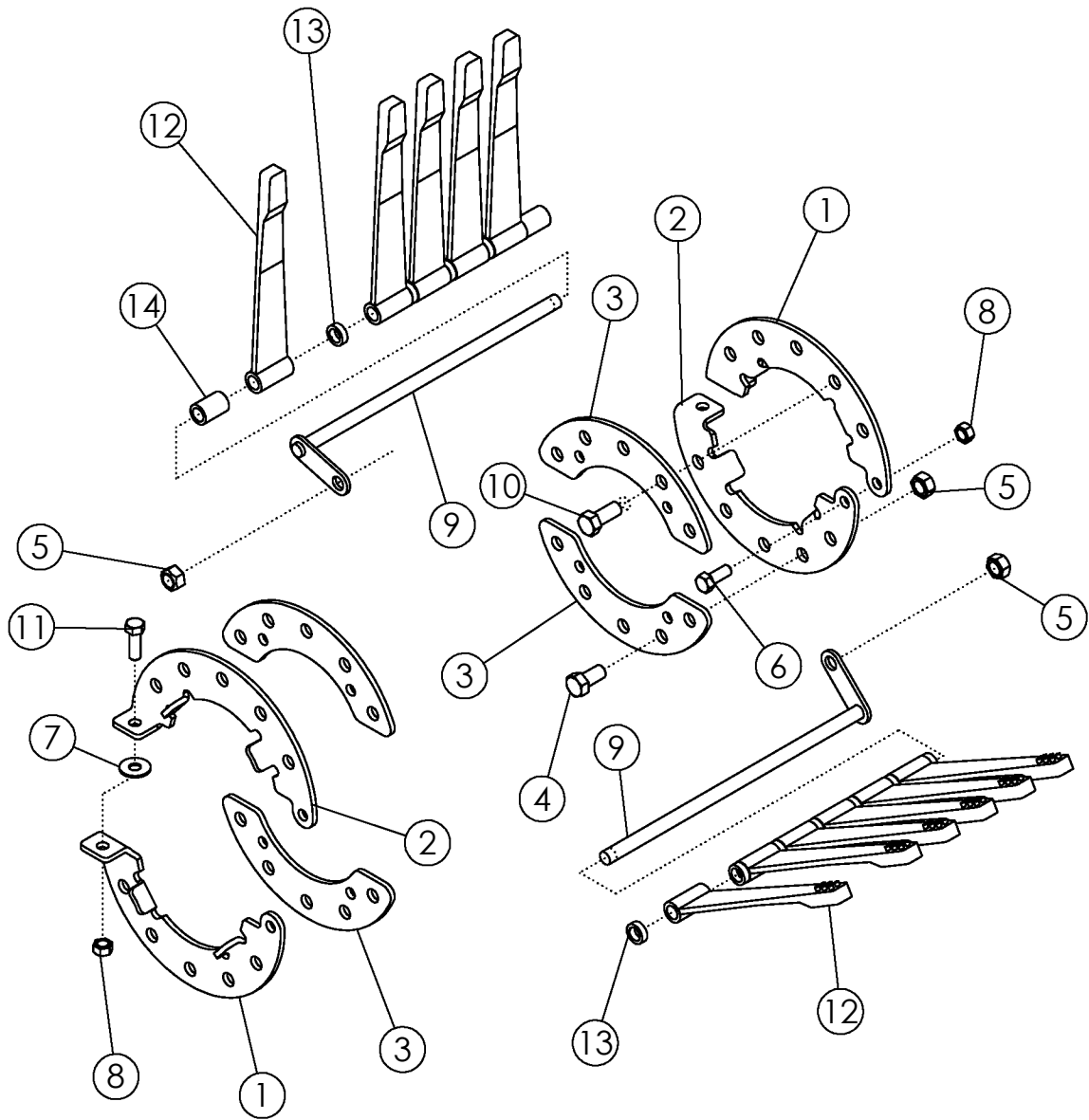
ITEM	PART NO.	DESCRIPTION	QTY
1	52062	FLAIL RING-LH	2
2	52061	FLAIL RING-RH	2
3	62254	WLDMT-FRONT BAIL	2
4	1032509	BOLT-HEX: .63 X 1.25 NC GR5 ZP	4
5	1016595	NUT-TOPLOCK: .63 NC GR5 ZP	8
6	1011606	BOLT-HEX: .50 X 1.25 NC GR5 ZP	4
7	1014443	WASHER-FLAT: .50 ZP	2
8	1027461	NUT-TOPLOCK: .50 NC GR5 ZP	4
9	305556	WLDMT-6 FLAIL ROD 15.75" ZP	4
10	1011623	BOLT-HEX: .63 X 2.00 NC GR5 ZP	4
11	1013024	WASHER-FLAT: .63 ZP	4
12	52356	FLAIL-STUDDDED 1 X 12	26
13	51549	SPACER 1	4
IN BETWEEN ROWS: 30" SPACING			
14	58543*	ASSY-FLAIL #1 30" REVERSE	1
15	52356	FLAIL-STUDDDED 1 X 12	13
16	51549	SPACER 1	2
17	64755	WLDMT-FLAIL ROD REVERSE 30"	2
18	51547	SPACER 5/16	2
19	1026259	NUT-JAM: .63 NC GR2 ZP	4

*ITEMS ARE 1-13 ARE INCLUDED IN ITEM 14



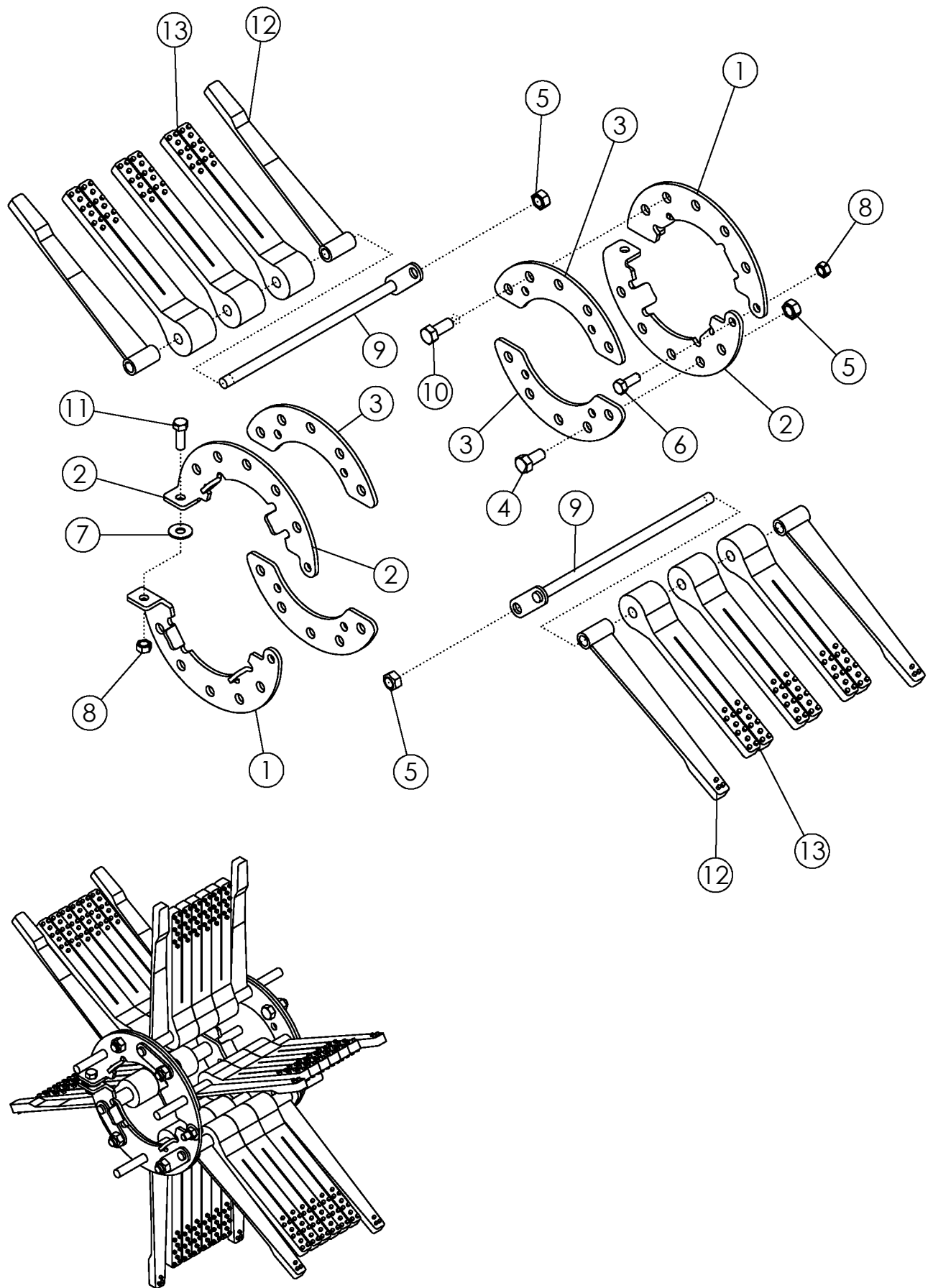
FLAILS ON #2 DRUM

ITEM	PART NO.	DESCRIPTION	QTY
1	52062	FLAIL RING-LH	2
2	52061	FLAIL RING-RH	2
3	58084	PLATE-REINFORCEMENT ZP	4
4	1032509	BOLT-HEX: .63 X 1.25 NC GR5 ZP	2
5	1016595	NUT-TOPLOCK: .63 NC GR5 ZP	8
6	1011606	BOLT-HEX: .50 X 1.25 NC GR5 ZP	2
7	1014443	WASHER-FLAT: .50 ZP	2
8	1027461	NUT-TOPLOCK: .50 NC GR5 ZP	4
9	305557	FLAIL ROD	6
10	1011623	BOLT-HEX: .63 X 2.00 NC GR5 ZP	6
11	1013024	WASHER-FLAT: .63 ZP	6
12	52356	FLAIL-STUDDDED 1 X 12	27
	52354	FLAIL-RUBBER 1 X 12 (PREMIER)	27
13	51547	SPACER 5/16	27
14	51548	SPACER 1-7/16	6
15	1011607	BOLT-HEX: .50 X 1.50 NC GR5 ZP	2
16	1014349	BOLT-HEX: .63 X 1.50 NC GR5 ZP	6



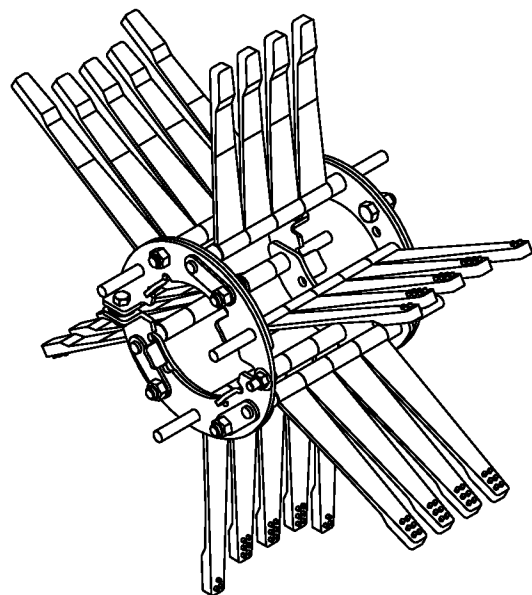
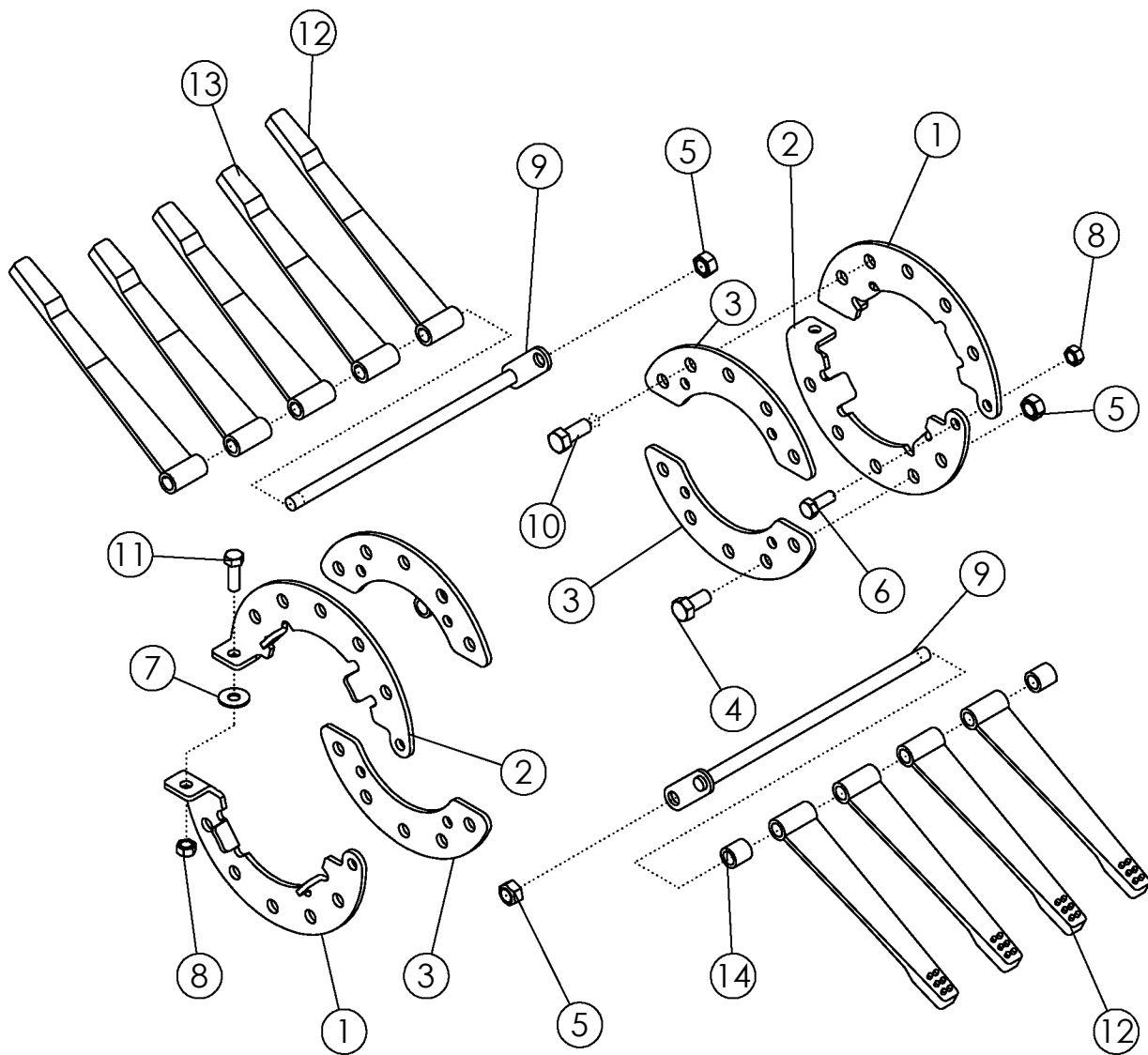
FLAILS ON #2 DRUM 30" SPACING

ITEM	PART NO.	DESCRIPTION	QTY
1	52062	FLAIL RING-LH	2
2	52061	FLAIL RING-RH	2
3	58084	PLATE-REINFORCEMENT ZP	4
4	1032509	BOLT-HEX: .63 X 1.25 NC GR5 ZP	2
5	1016595	NUT-TOPLOCK: .63 NC GR5 ZP	8
6	1011606	BOLT-HEX: .50 X 1.25 NC GR5 ZP	2
7	1014443	WASHER-FLAT: .50 ZP	2
8	1027461	NUT-TOPLOCK: .50 NC GR5 ZP	4
9	305556	WLDMT-6 FLAIL ROD 15.75" ZP	6
10	1014349	BOLT-HEX: .63 X 1.50 NC GR5 ZP	6
11	1011607	BOLT-HEX: .50 X 1.50 NC GR5 ZP	2
12	52356	FLAIL-STUDED 1 X 12	33
	52354	FLAIL-RUBBER 1 X 12 (PREMIER)	33
13	51547	SPACER 5/16	33
14	51548	SPACER 1-7/16	6



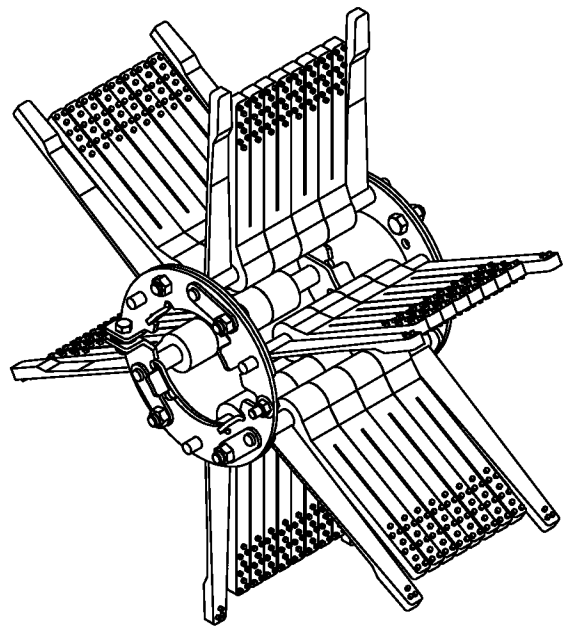
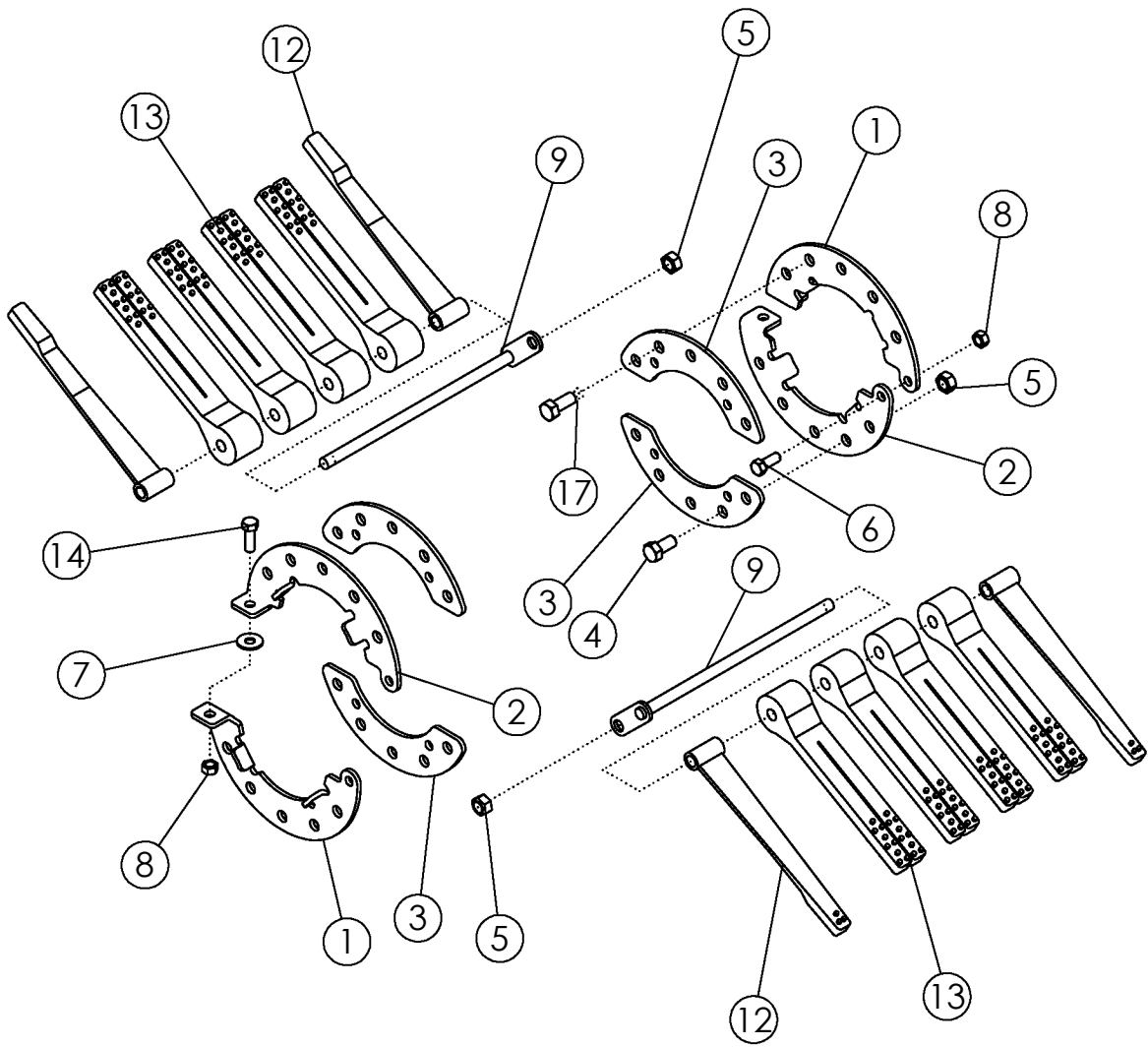
FLAILS ON #3 DRUM

ITEM	PART NO.	DESCRIPTION	QTY
1	52062	FLAIL RING-LH	2
2	52061	FLAIL RING-RH	2
3	58084	PLATE-REINFORCEMENT ZP	4
4	1032509	BOLT-HEX: .63 X 1.25 NC GR5 ZP	2
5	1016595	NUT-TOPLOCK: .63 NC GR5 ZP	8
6	1011606	BOLT-HEX: .50 X 1.25 NC GR5 ZP	2
7	1014443	WASHER-FLAT: .50 ZP	2
8	1027461	NUT-TOPLOCK: .50 NC GR5 ZP	4
9	305557	FLAIL ROD	6
10	1014349	BOLT-HEX: .63 X 1.50 NC GR5 ZP	6
11	1011607	BOLT-HEX: .50 X 1.50 NC GR5 ZP	2
12	52355	FLAIL-SWEEP 1 X 13-1/4	12
13	58255	FLAIL-SPLIT TAPER 2 X 12	18
	52356	FLAIL-STUDDDED 1 X 12	18



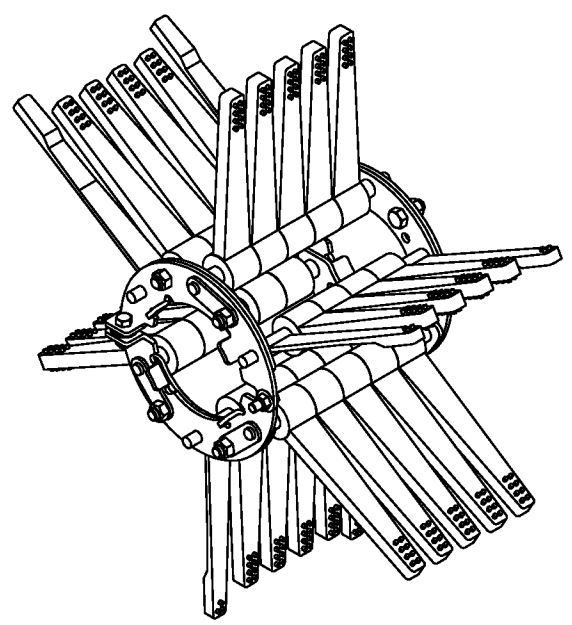
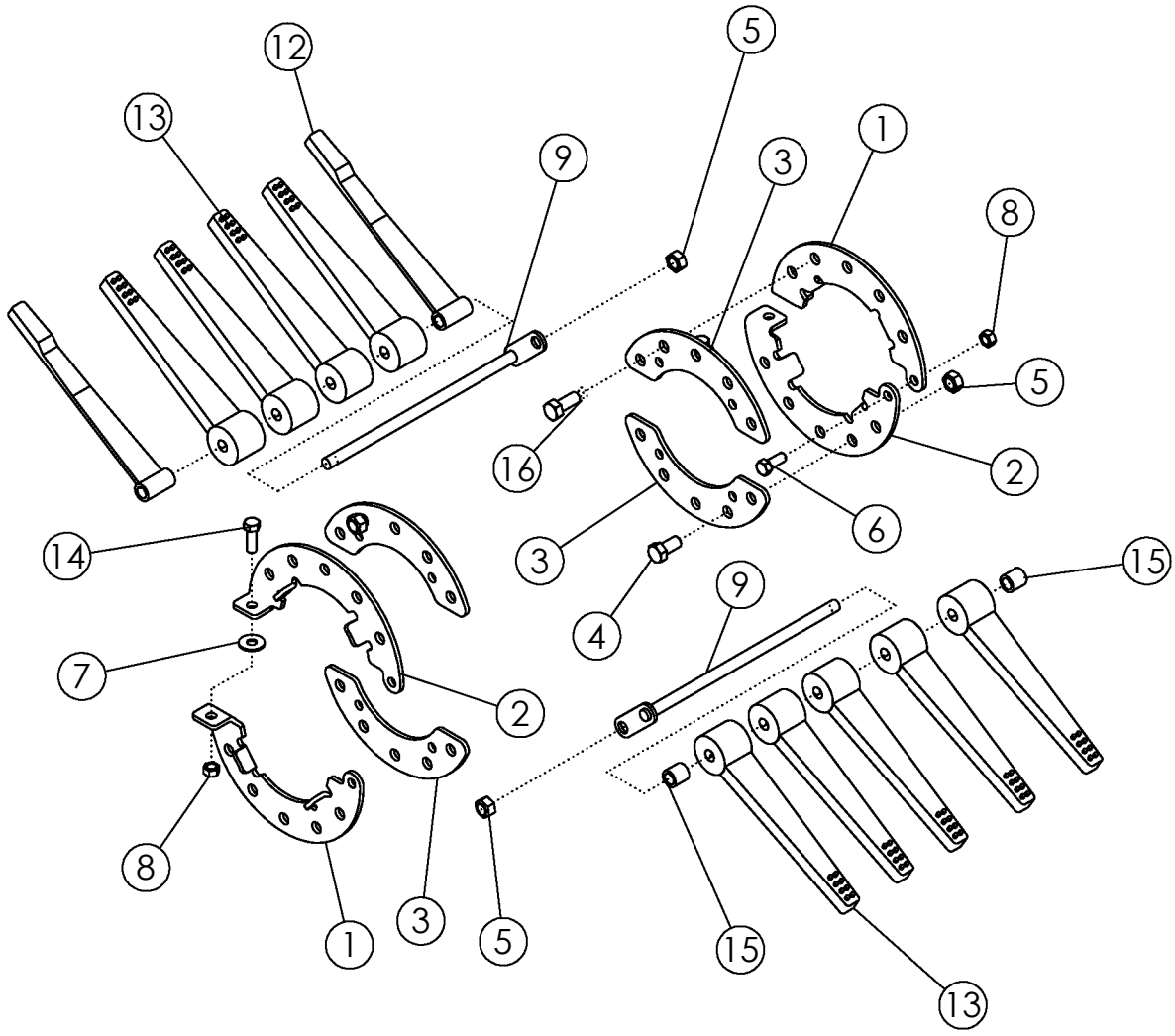
FLAILS ON #3 DRUM

ITEM	PART NO.	DESCRIPTION	QTY
1	52062	FLAIL RING-LH	2
2	52061	FLAIL RING-RH	2
3	58084	PLATE-REINFORCEMENT ZP	4
4	1032509	BOLT-HEX: .63 X 1.25 NC GR5 ZP	2
5	1016595	NUT-TOPLOCK: .63 NC GR5 ZP	8
6	1011606	BOLT-HEX: .50 X 1.25 NC GR5 ZP	2
7	1014443	WASHER-FLAT: .50 ZP	2
8	1027461	NUT-TOPLOCK: .50 NC GR5 ZP	4
9	305557	FLAIL ROD	6
10	1014349	BOLT-HEX: .63 X 1.50 NC GR5 ZP	6
11	1011607	BOLT-HEX: .50 X 1.50 NC GR5 ZP	2
12	52355	FLAIL-SWEEP 1 X 13-1/4	6
13	52354	FLAIL-RUBBER 1 X 12 (PREMIER)	21
14	51548	SPACER 1"	6



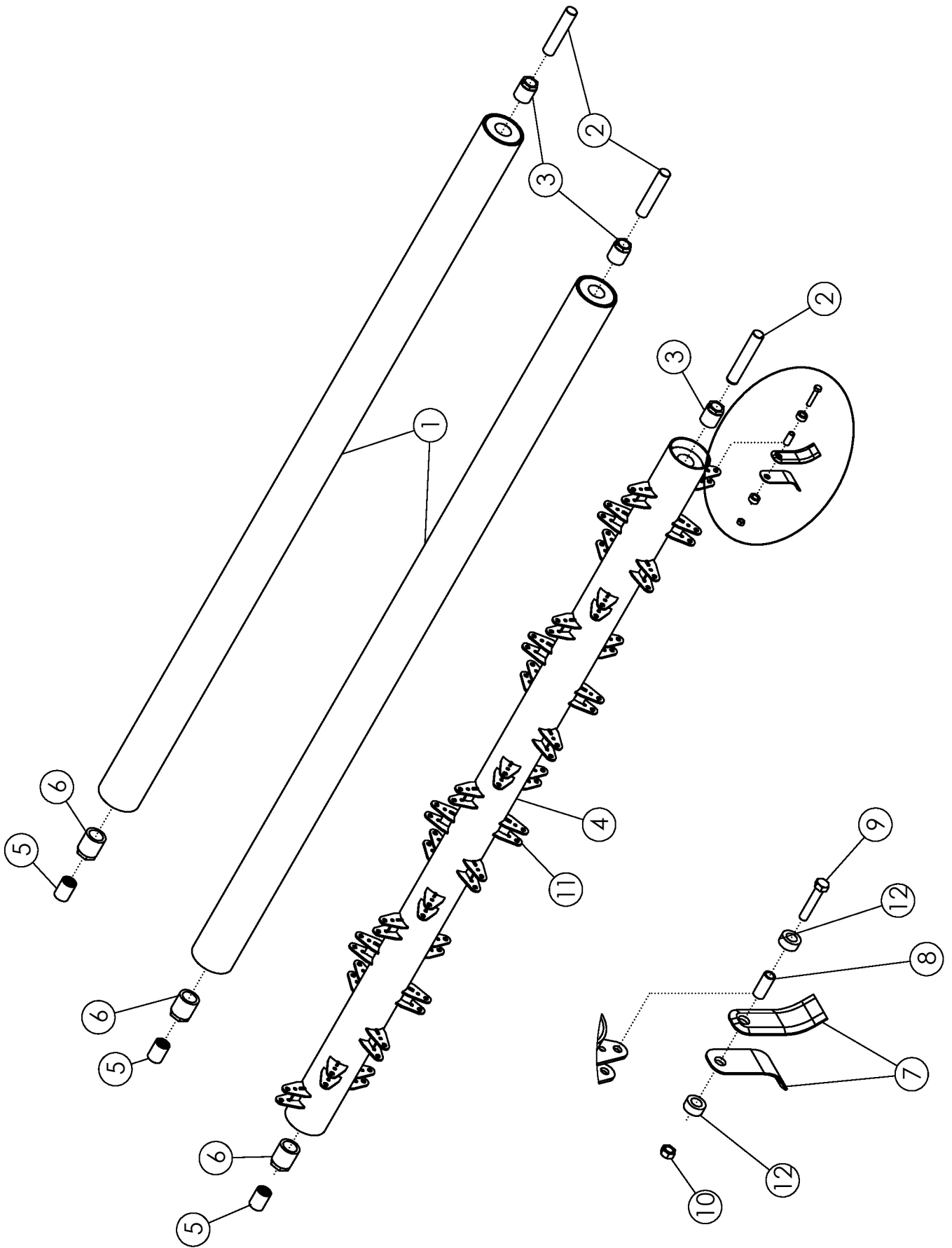
FLAILS ON #3 DRUM 30" SPACING #52128

ITEM	PART NO.	DESCRIPTION	QTY
1	52062	FLAIL RING-LH	2
2	52061	FLAIL RING-RH	2
3	58084	PLATE-REINFORCEMENT ZP	4
4	1032509	BOLT-HEX: .63 X 1.25 NC GR5 ZP	2
5	1016595	NUT-TOPLOCK: .63 NC GR5 ZP	8
6	1011606	BOLT-HEX: .50 X 1.25 NC GR5 ZP	2
7	1014443	WASHER-FLAT: .50 ZP	2
8	1027461	NUT-TOPLOCK: .50 NC GR5 ZP	4
9	305557	FLAIL ROD	6
10	1011623	BOLT-HEX: .63 X 2.00 NC GR5 ZP	6
11	1013024	WASHER-FLAT: .63 ZP	6
12	52355	FLAIL-SWEEP 1 X 13-1/4	12
13	58255	FLAIL-SPLIT TAPER 2 X 12	24
	52354	FLAIL-RUBBER 1 X 12	
14	1011607	BOLT-HEX: .50 X 1.50 NC GR5 ZP	2



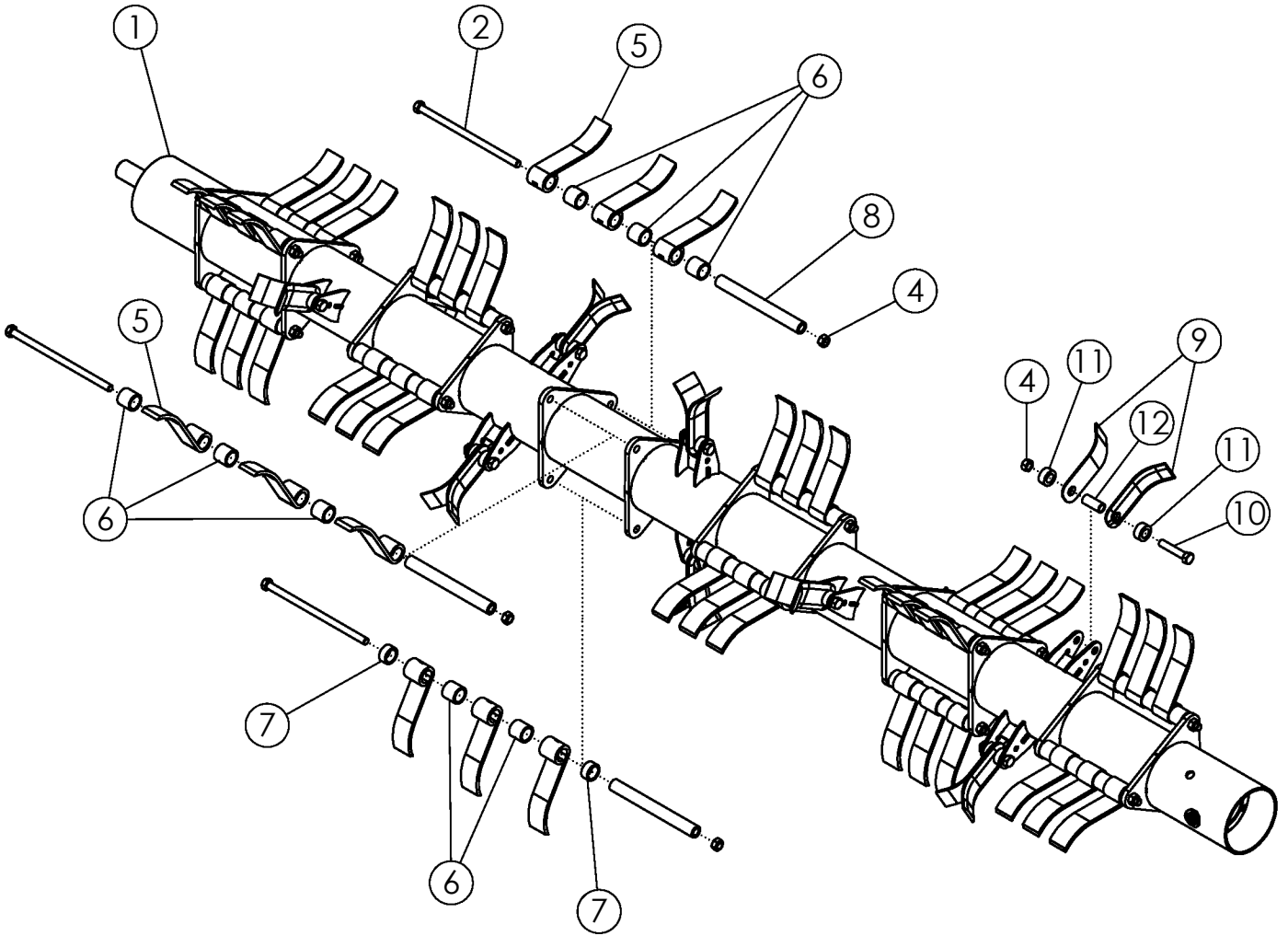
FLAILS ON #3 DRUM 30" SPACING

ITEM	PART NO.	DESCRIPTION	QTY
1	52062	FLAIL RING-LH	2
2	52061	FLAIL RING-RH	2
3	58084	PLATE-REINFORCEMENT ZP	4
4	1032509	BOLT-HEX: .63 X 1.25 NC GR5 ZP	2
5	1016595	NUT-TOPLOCK: .63 NC GR5 ZP	8
6	1011606	BOLT-HEX: .50 X 1.25 NC GR5 ZP	2
7	1014443	WASHER-FLAT: .50 ZP	2
8	1027461	NUT-TOPLOCK: .50 NC GR5 ZP	4
9	305557	FLAIL ROD	6
10	1011623	BOLT-HEX: .63 X 2.00 NC GR5 ZP	6
11	1013024	WASHER-FLAT: .63 ZP	6
12	52355	FLAIL-SWEEP 1 X 13-1/4	12
13	52354	FLAIL-RUBBER 1 X 12	27
	52356	FLAIL-STUDED 1 X 12	
14	1011607	BOLT-HEX: .50 X 1.50 NC GR5 ZP	2
15	51549	SPACER 1"	6



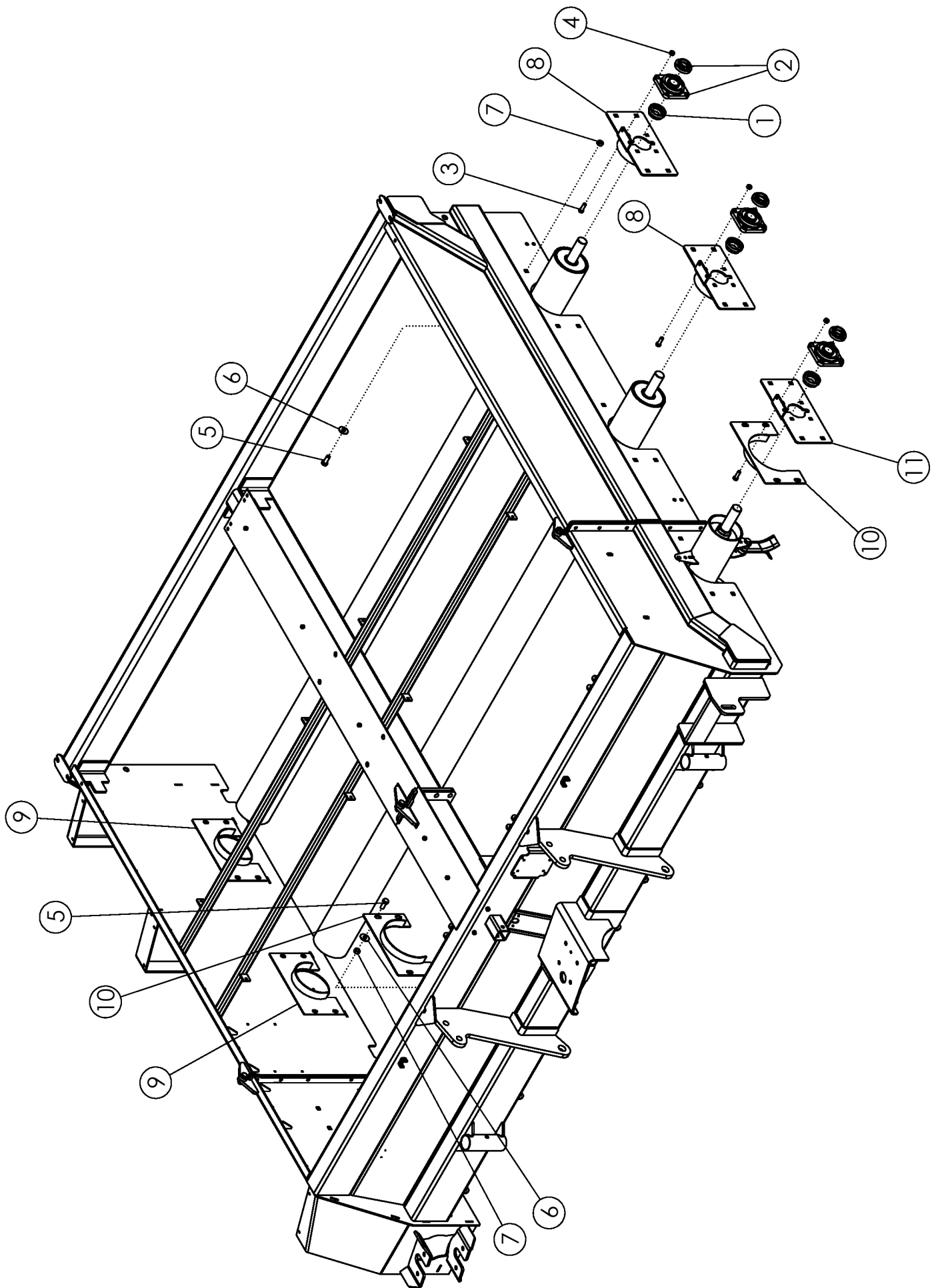
FLAIL TUBE ASSEMBLY			
ITEM	PART NO.	DESCRIPTION	QTY
1	62124*	FLAIL TUBE #1, #2, & #3 (6R22) (COMPLETE)	2
2	58710	SHAFT-FLAIL TUBE	3
3	58459	HUB-TRANTORQUE 1.75 HD	3
4	59359	TUBE-STEEL FLAIL BALANCED (STEEL ONLY)	1
5	62150	COUPLER-SPLINED 1.75-20 X 2.25	3
6	59259	HUB-TRANTORQUE 2.25	3
7	58680	FLAIL-STEEL	68
8	68427	BUSHING-L KNIFE	34
9	65825	BOLT-HEX: .63 X 3.25 NC GR5 ZP	34
10	1016595	NUT-TOPLOCK: .63 NC GR5 ZP	34
11	68400	WLDMT-FLAIL HOLDER	34
12	68426	SPACER-L KNIFE	68

*QUANTITY OF 3 ON A NON-STEEL FRONT DRUM



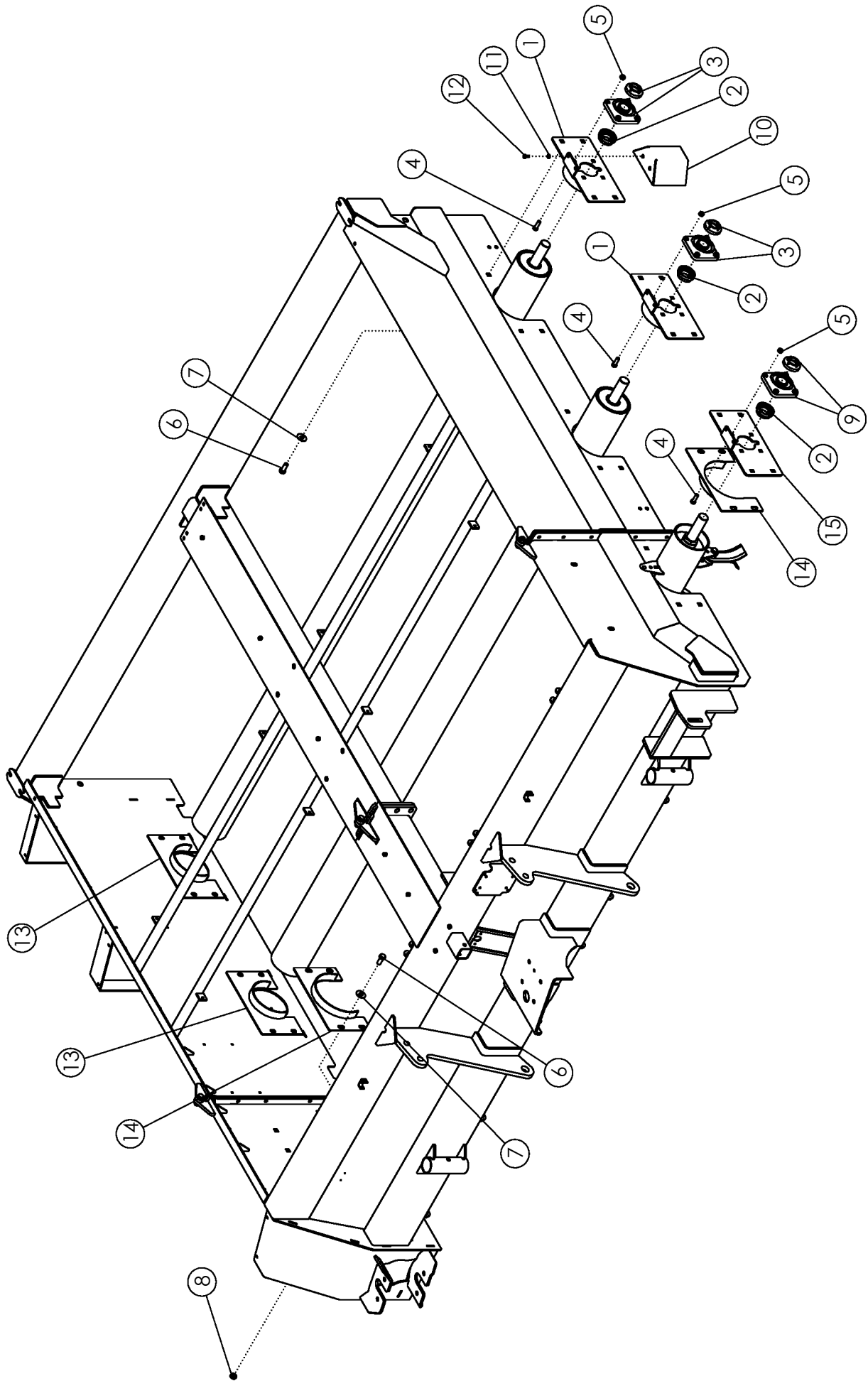
FLAIL TUBE ASSEMBLY (306837)

ITEM	PART NO.	DESCRIPTION	QTY
1	306838	ASSY-DRUM CUP W/L 6.63"-1.25"EYE 3-PIN 6R22 BAL	1
2	306767	BOLT-HEX: .63 X12.50 NC GR8 ZP	18
3	1013024	WASHER-FLAT: .63 ZP	18
4	1016595	NUT-TOPLOCK: .63 NC GR5 ZP	28
5	307386	FLAIL-CUP 8.0" 1.25" EYE	54
6	307390	SPACER 1.45" LARGE - 1.25" EYE	48
7	307392	SPACER 0.725" LARGE - 1.25" EYE	12
8	307389	BUSHING-FLAIL 10.50" 1.13" OD HT	18
9	58680	FLAIL-STEEL 6.31" LONG	20
10	65825	BOLT-HEX: .63 X 3.25 NC GR5 ZP	10
11	68426	SPACER-POLYURETHANE L KNIFE	20
12	68427	BUSHING-L KNIFE	10



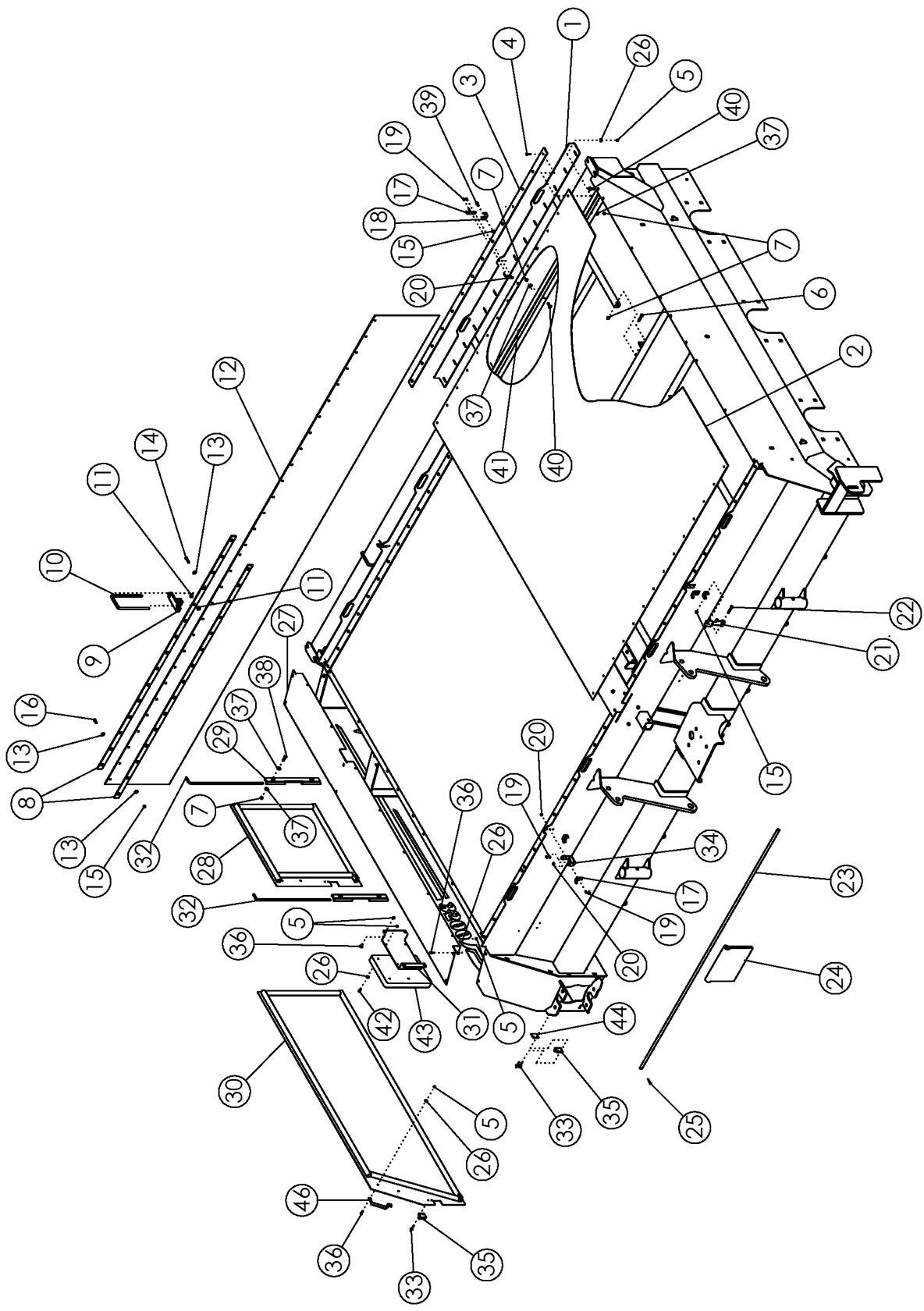
FLAIL TUBE MOUNTING

ITEM	PART NO.	DESCRIPTION	QTY
1	52382	SEAL PROTECTOR 1.75	3
2	52404	BEARING-FLANGE 1.75	3
3	1011607	BOLT-HEX: .50 x 1.50 NC GR5 ZP	12
4	1027461	NUT-TOPLOCK: .50 NC GR5 ZP	12
5	1014349	BOLT-HEX: .63 x 1.50 NC GR5 ZP	12
6	1013024	WASHER-FLAT: .63 ZP	12
7	1016595	NUT-TOPLOCK: .63 NC GR5 ZP	12
8	68244	WLDMT-BEARING PLATE	2
9	51809	WLDMT-SHIELD ANTI WRAP (NARROW)	2
10	307290	WLDMT-ANTI WRAP NARROW	2
11	307296	PLATE-DRUM BEARING MOUNT RED	1



FLAIL TUBE MOUNTING - STEEL FRONT DRUM OPTION

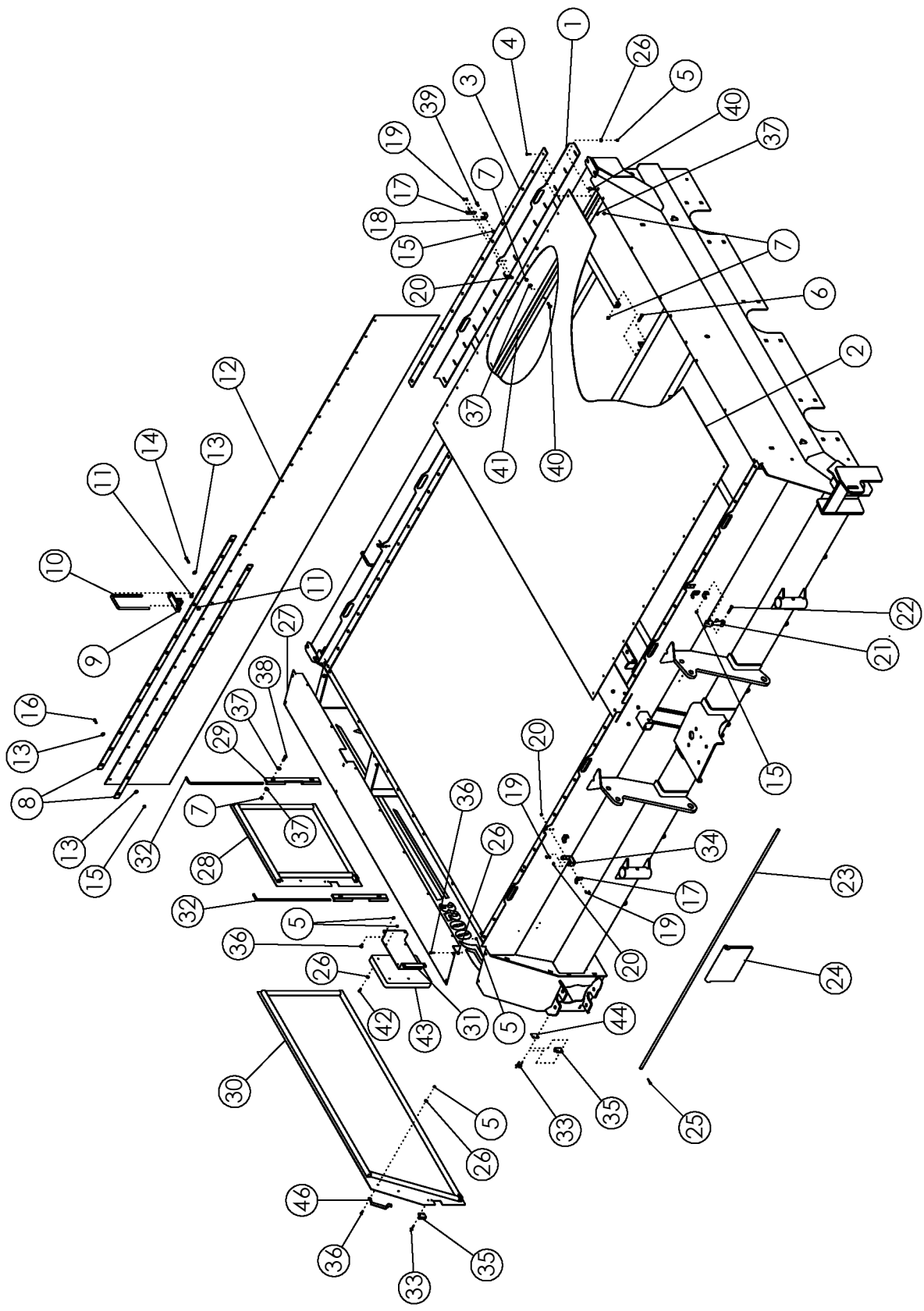
ITEM	PART NO.	DESCRIPTION	QTY
1	68244	WLDMT-BEARING PLATE	2
2	52382	SEAL PROTECTOR 1.75	3
3	52404	BEARING-FLANGE 1.75	2
4	1011607	BOLT-HEX: .50 X 1.50 NC GR5 ZP	12
5	1027461	NUT-TOPLOCK: .50 NC GR5 ZP	12
6	1014349	BOLT-HEX: .63 X 1.50 NC GR5 ZP	24
7	1013024	WASHER-FLAT: .63 ZP	24
8	1016595	NUT-TOPLOCK: .63 NC GR5 ZP	24
9	306999	ASSY-BEARING-FLANGE 1-3/4" N-SEAL (STEEL)	1
10	68462	WLDMT-IDLER SHIELD	3
11	1011586	WASHER-LOCK: .38 ZP	6
12	1011599	BOLT-HEX: .38 X .75 NC GR5 ZP	6
13	51809	WLDMT-SHIELD ANITWRAP (NARROW)	2
14	307290	WLDMT-ANTI WRAP NARROW	2
15	307296	PLATE-DRUM BEARING MOUNT RED	1



DOORS AND SHIELDS

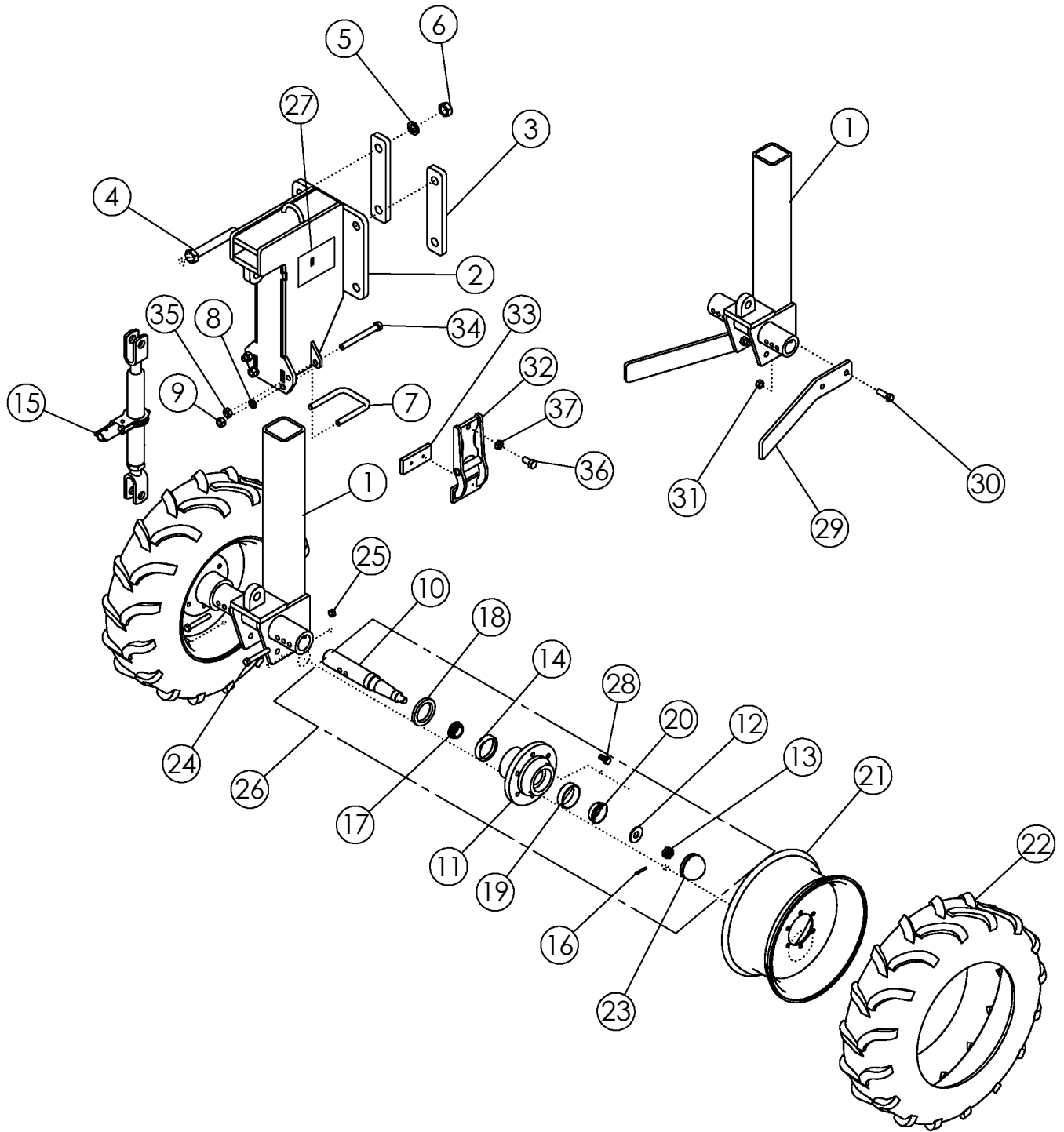
ITEM	PART NO.	DESCRIPTION	QTY
1	62499	WLDMT-DOOR	4
2	62504	TARP	2
3	59815	BRACKET-TOP STL DEF COVER	4
4	1013423	BOLT-HEX: .25 X 1.00 NC GR5 ZP	56
5	1030946	NUT-TOPLOCK: .25 NC GR5 ZP	81
6	1011725	BOLT-HEX: .38 X 2.00 NC GR5 ZP	8
7	1016999	NUT-TOPLOCK: .38 NC GR5 ZP	20
8	63447	BAR-REAR FLAP	4
9	63448	WLDMT-REAR FLAP MOUNT	4
10	63458	U-BOLT: .50 X 9.25 X 4.00 X 9.25 ZP	4
11	1027461	NUT-TOPLOCK: .50 NC GR5 ZP	8
12	52358	FLAP-REAR	1
13	1011583	WASHER-FLAT: .31 ZP	60
14	1013424	BOLT-HEX: .31 X 1.75 NC GR5 ZP	4
15	1030700	NUT-TOPLOCK: .31 NC GR5 ZP	36
16	1011598	BOLT-HEX: .31 X 1.00 NC GR5 ZP	26
17	52239	HOOD BRACKET-LARGE	4
18	52237	ANCHOR BRACKET-LARGE	2
19	1013462	SCREW-R-H-SL: .19 X .50 NC GR2	12
20	1026591	NUT-K-LOCK: .19 NC GR2 ZP	12
21	52238	RUBBER HOOK-LARGE	4
22	1011285	BOLT-HEX: .31 X 2.00 NC GR5 ZP	4
23	305028	SHAFT-RETAINING SHIELD	2
24	64648	FLAP-RUBBER WR	10
25	1012375	PIN-COTTER: .19 X 1.50 ZP	4
26	1020416	WASHER-FLAT: .25 ZP	70
27	68201	PANEL-TOP SHIELD	1
28	305316	WLDMT-REAR SIDE DOOR	1
29	72680	WLDMT-DOOR HINGE	2
30	305317	WLDMT-FRONT SIDE DOOR	1
31	68324	PLATE-DEF MANUAL CASE	1
32	51303	DOOR HINGE ROD ZP	2
33	1011974	RIVET-POP: .19 X .531 ZP	4
34	68320	TARP BRACKET	2
35	64140	WLDMT-DOOR LATCH ZP	4
36	68602	BOLT-CRG: .25 X .75 NC GR5 ZP	21
37	1011828	WASHER-FLAT: .38 ZP	16
38	1011601	BOLT-HEX: .38 X 1.25 NC GR5 ZP	4
39	1011597	BOLT-HEX: .31 X .75 NC GR5 ZP	2
40	1016362	BOLT-CRG: .38 X 1.25 NC GR5 ZP	8

CONTINUED



DOORS AND SHIELDS (CONTINUED)

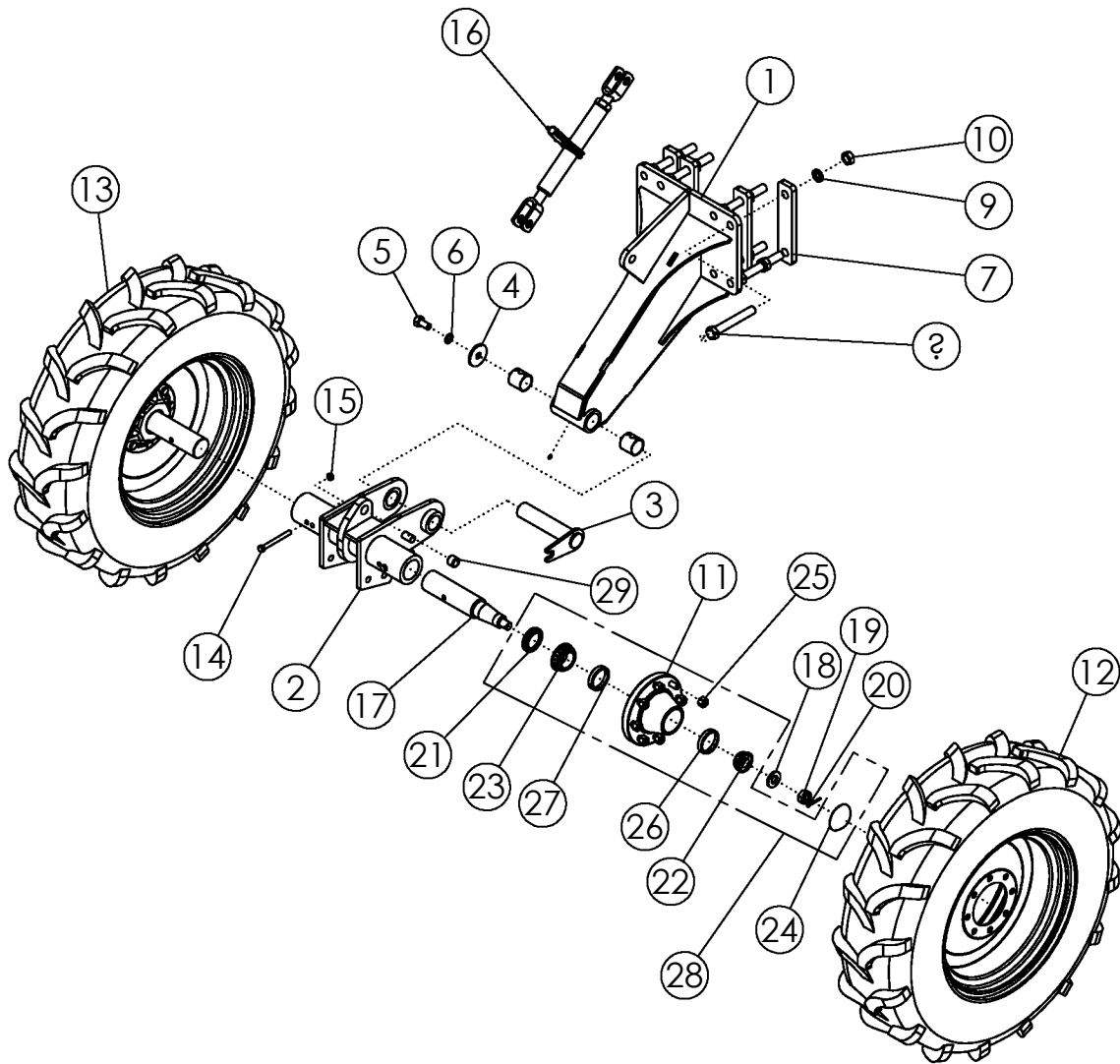
ITEM	PART NO.	DESCRIPTION	QTY
41	305034	PLATE-DOOR CROSS 6R LH	1
	305035	PLATE-DOOR CROSS 6R RH (NOT SHOWN)	1
42	1011595	BOLT-HEX: .25 X .75 NC GR5 ZP	4
43	64635	CASE-MANUAL STORAGE	1
44	69141	PLATE-DOOR LATCH SPACER	2
45	51304	DOOR LOCK ZP	2
46	68715	HANDLE GRAB DOOR	2



STANDARD REAR STRUTS - 7.60 X 15 TIRES

ITEM	PART NO.	DESCRIPTION	QTY
1	58281	WLDMT-SPINDLE HOUSING	1
	64402	WLDMT-SPINDLE HOUSING- 6" OFFSET RH	1
	64406	WLDMT-SPINDLE HOUSING- 6" OFFSET LH	1
2	63559	WLDMT-STD STRUT UPPER	1
3	58408	BAR - BOLTING	2
4	1018839	BOLT-HEX: 1.00 X 7.00 NC GR8 ZP	4
5	1013539	WASHER-LOCK: 1.00 ZP	4
6	1012664	NUT-HEX: 1.00 NC GR2 ZP	4
7	60547	U-BOLT: .63 X 5.25 X 4.00 X 5.25	1
8	1011813	WASHER-LOCK: .63 ZP	2
9	1011578	NUT-HEX: .63 NC GR2 ZP	2
10	52138*	SPINDLE	2
11	52247*	HUB-WHEEL 6-BOLT	2
12	1012377*	WASHER-SPINDLE: .81 X 2.00 NP	2
13	1012376*	NUT-SLOTTED: .75 NF GR5 NP	2
14	52243*	CUP-BEARING INNER	2
15	52407	RATCHET JACK-PAINTED	1
16	1012375*	PIN-COTTER: .19 X 1.50 NP	2
17	52245*	CONE-BEARING INNER	2
18	52242*	SEAL	2
19	52244*	CUP-BEARING OUTER	2
20	52246*	CONE-BEARING OUTER	2
21	52411	WHEEL 6.00-15 6 BOLT	2
22	52410	TIRE 7.60-15 I-3 6 PLY	2
	68974	TUBE-REPAIR 7.60-15 (NOT SHOWN)	AR
23	52241*	CAP-HUB	2
24	1011612	BOLT-HEX: .50 X 3.50 NC GR5 ZP	2
25	1027461	NUT-TOPLOCK: .50 NC GR5 ZP	2
26	52116	ASSY HUB & SPINDLE	2
27	52248	DECAL-CAUTION	1
28	1013426*	BOLT-LUG: .50 X 1.00 NF GR5 ZP	12
29	305642	PLATE-SCRAPER 7.6-15 DEF	2
30	1011623	BOLT-HEX: .63 X 2.00 NC GR5 ZP	4
31	1016595	NUT-TOPLOCK: .63 NC GR5 ZP	4
32	69956	WLDMT- DEF STRUT CLAMP	2
33	69971	PLASTIC-STRUT CLAMP	2
34	1013068	BOLT-HEX: .63 X 6.00 NC GR5 ZP	2
35	1016595	NUT-TOPLOCK: .63 NC GR5 ZP	2
36	1030703	BOLT-HEX: .63 X 1.25 NF GR5 ZP	2
37	66336	NUT-JAM: .63 NF GR2 ZP	2
38	69987	SCREW-MACH: FH-TORX .25-20 X 1.00 (NOT SHOWN)	4

* Items are included in Item 26

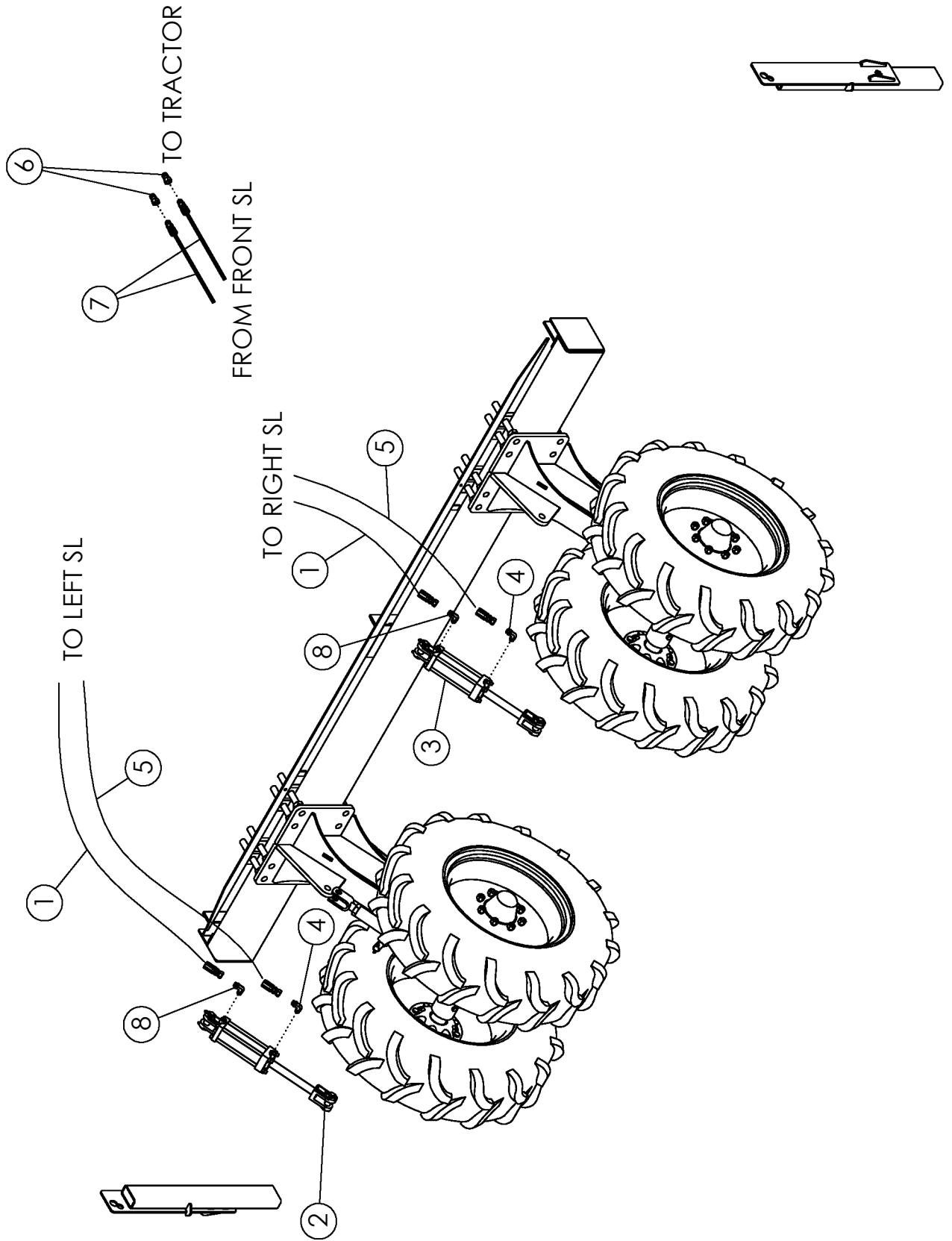


ASSY-STRUT STANDARD 11.2-24 PIVOT

ITEM	PART NO.	DESCRIPTION	QTY
1	306019	ASSY-STRUT STANDARD PIVOT	1
	1011748	ZERK - GREASE	1
	73466	BUSHING-SPRING 2.25 X 2.0 X 2.0 L	2
2	305561	WLDMT-SPINDLE RECEIVER 22"	1
	305562	WLDMT-SPINDLE RECIEVER 44" (NOT SHOWN)	
	306704	WLDMT-SPIDLE RECIEVER 36" (NOT SHOWN)	
3	305573	WLDMT-DEF STRUT FLAG PIN	1
4	305575	PLATE-PIVOT POINT END CAP ZP	1
5	58367	BOLT-HEX: .75 X 1.50 NC GR5 ZP	1
6	1012061	WASHER-LOCK: .75 ZP	1
7	58408	BAR - BOLTING	4
8	1018839	BOLT-HEX: 1.0 x 7.00 NC GR8 ZP	8
9	1013539	WASHER-LOCK: 1.00 ZP	8
10	1012664	NUT-HEX: 1.00 NC GR2 ZP	8
11	53623	HUB-WHEEL 8-BOLT	2
12	56986	HRV RH WHEEL	1
13	63992	HRV LH WHEEL	1
14	1011618	BOLT-HEX: .50 X 5.00 NC GR5 ZP	2
15	1027461	NUT-TOPLOCK: .50 NC GR5 ZP	2
16	52407	RATCHET JACK-PAINTED	1
17	52954	SPINDLE-STANDARD	2
18	1030728	WASHER-SPINDLE: 1.06IDX2.13OD	2
19	1030726	NUT-SPINDLE: 1.00 NF NP	2
20	1030797	PIN-COTTER: .19 X 1.75 NP	2
21	53619*	SEAL	1
22	53620*	BEARING-CONE	1
23	53621*	CONE-BEARING	1
24	53624*	HUB CAP	1
25	53625*	NUT-WHEEL .625-18NF	8
26	53622**	BEARING-CUP INNER	1
27	52243**	BEARING-CUP OUTER	1
28	69018	ASSY-HUB	2
29	45572	SPRING BUSHING 1.25 X 1 X 1	1

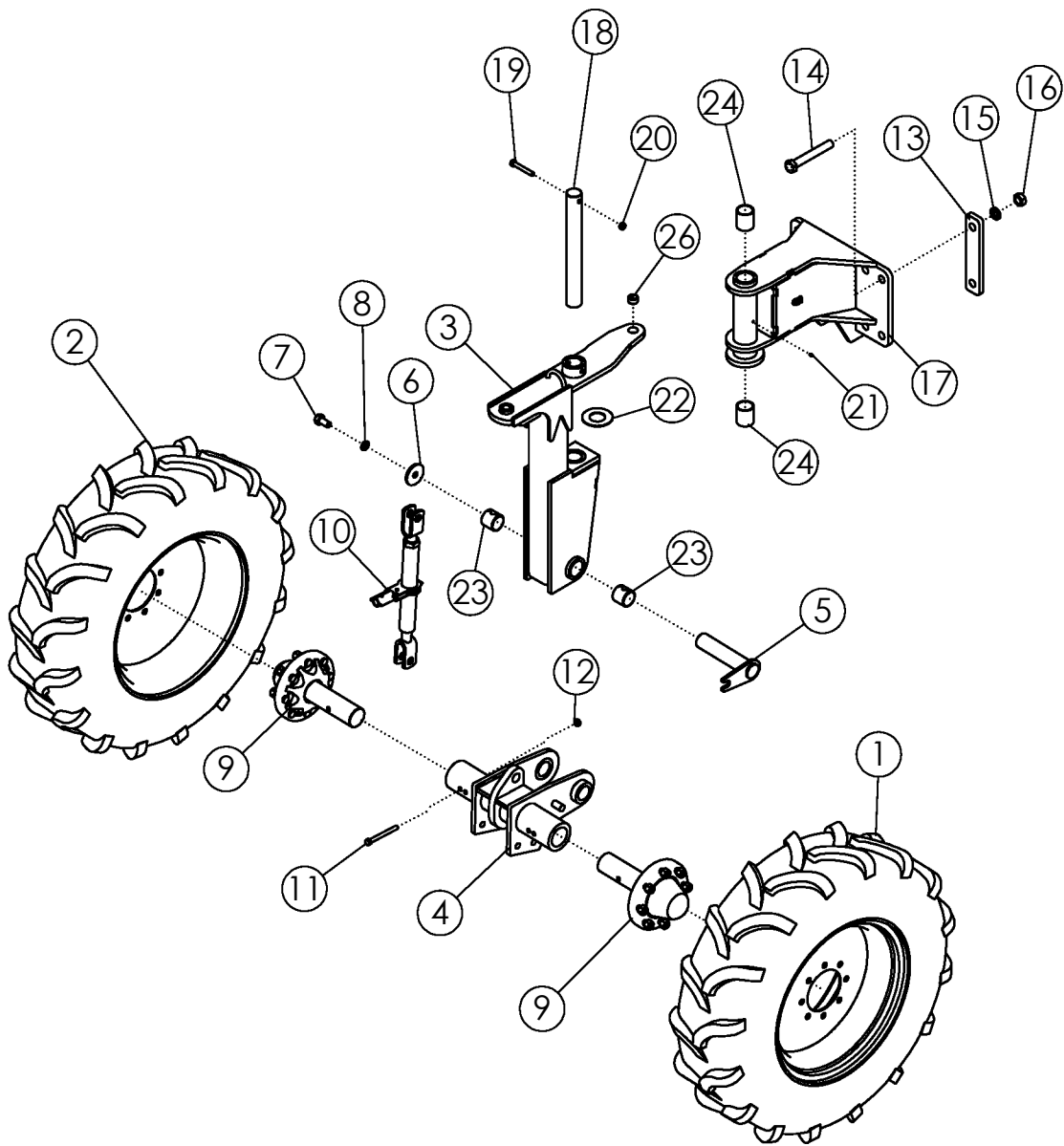
* INCLUDED IN ITEM 28

**INCLUDED IN ITEM 11



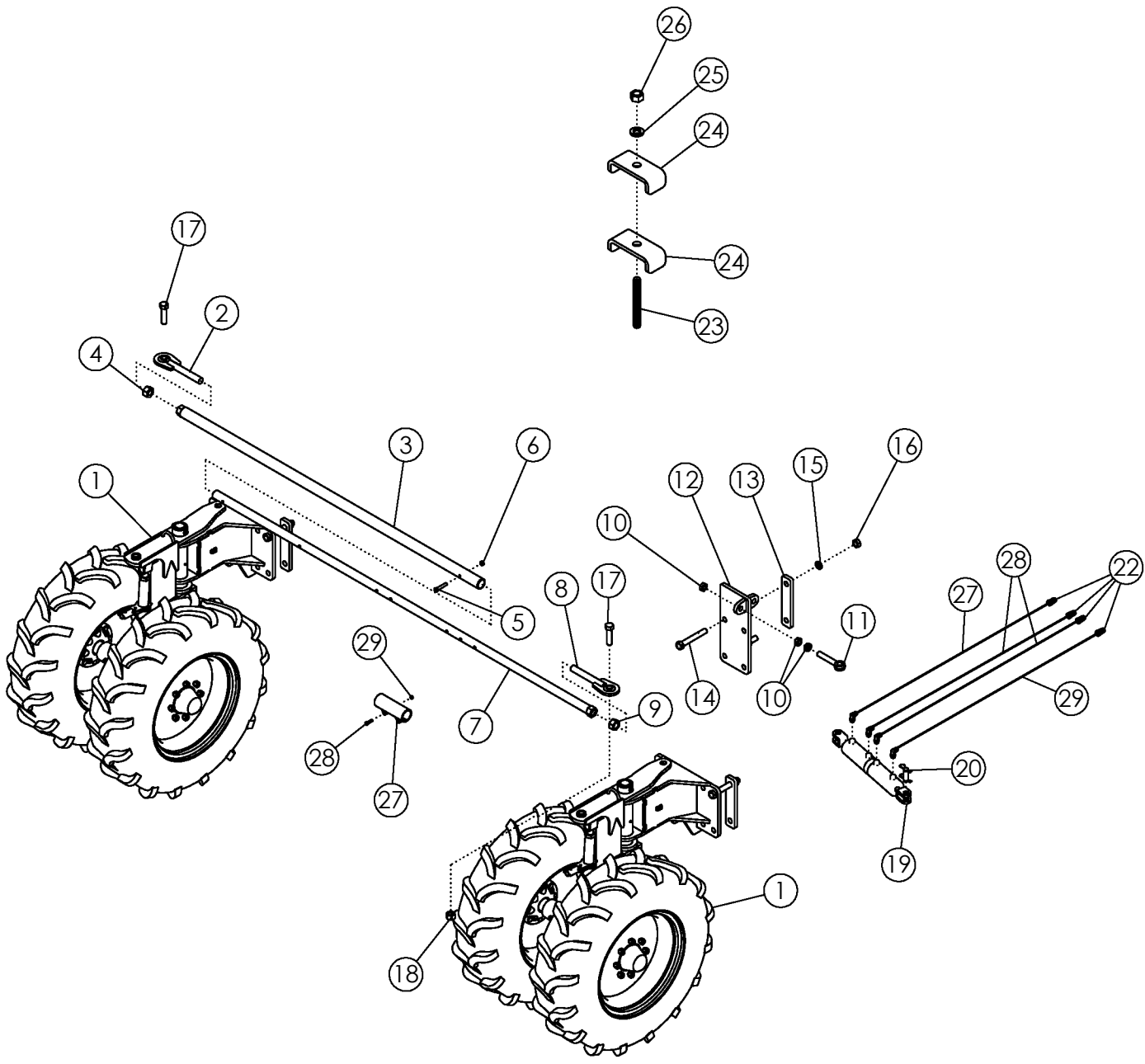
REAR STRUT HYDRAULICS: 11.2 - 24 TIRES (OPTIONAL)

ITEM	PART NO.	DESCRIPTION	QTY
1	72478	HOSE: .38 X 082 8FJX-8FJX	2
2	63500	CYLINDER-HYDRAULIC 3.25 X 8" 3000	1
	66083	SEAL KIT FOR 63500	
3	63499	CYLINDER-HYDRAULIC 3 X 8" 3000	1
	301314	SEAL KIT FOR 63499 UNIVERSAL	
4	58560	FTG-ELBOW: 8MB-8MJ-90	2
5	305597	HOSE: .38 X 092 8FJX-8FJX	2
6	53631	PIONEER TIP 8010-4	2
7	305684	HOSE: .50 X 215 8FJX-8MB	2
8	305402	FTG-ELBOW: 8MB-8MJ-90L	2



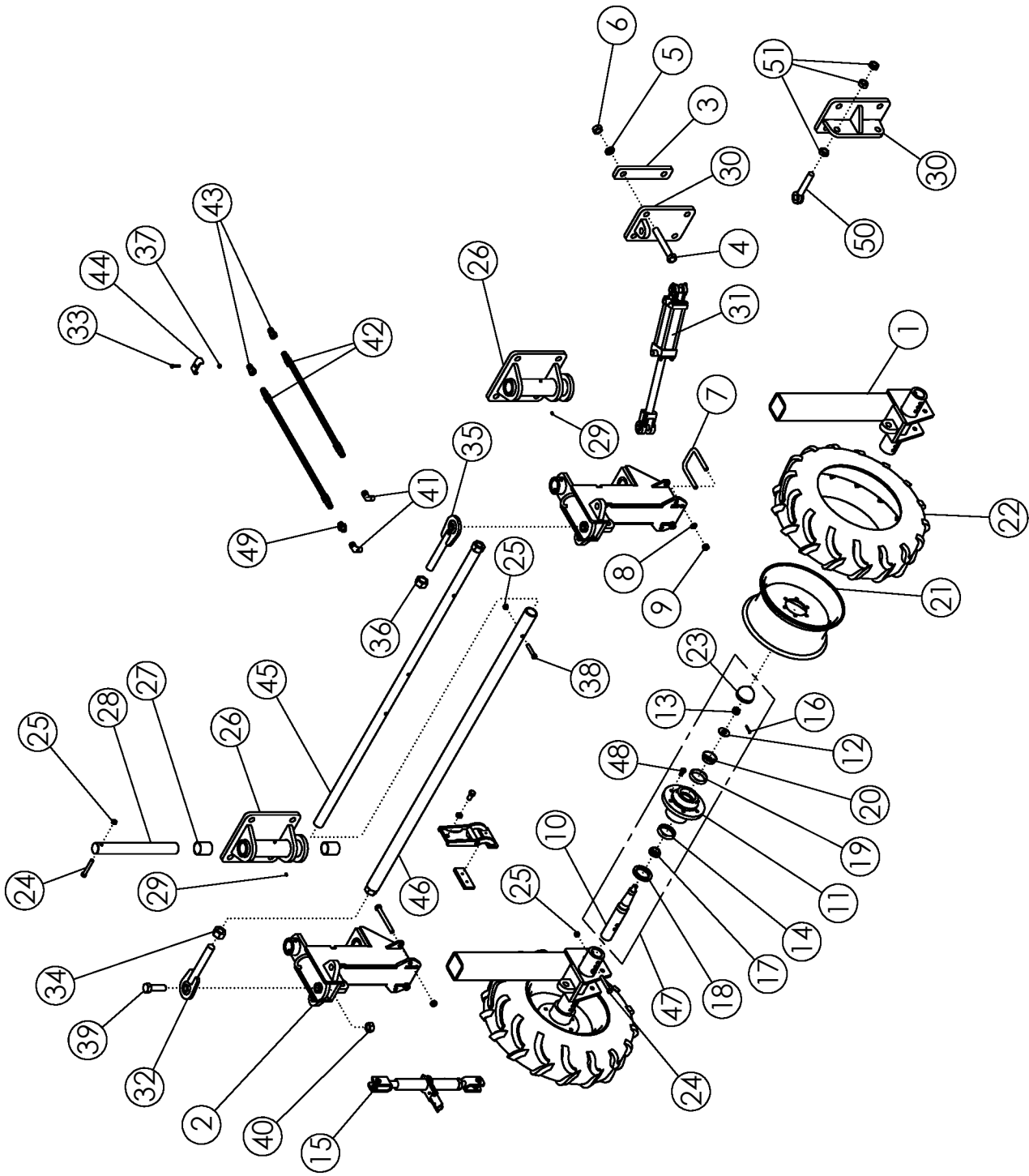
ASSY-STEERABLE STRUT UPPER DLS			
ITEM	PART NO.	DESCRIPTION	QTY
1	56986	TIRE-MNTD: 11.2-24 10PLY R1 RH	1
2	63992	TIRE-MNTD: 11.2-24 10PLY R1 LE	1
3	305560*	WLDMT-STRUT UPPER	1
4	305561	WLDMT-SPINDLE RECEIVER 22"	1
	305562	WLDMT-SPINDLE RECEIVER 44"	
5	305573	WLDMT-DEF STRUT FLAG PIN	1
6	305575	PLATE-PIVOT POINT END CAP ZP	1
7	58367	BOLT-HEX: .75 X 1.50 NC GR5 ZP	1
8	1012061	WASHER-LOCK: .75 ZP	1
9	53167	ASSY-HUB & SPINDLE: 8 BOLT W/ZERK	2
10	52407	RATCHET JACK-PAINTED	1
11	1011618	BOLT-HEX: .50 X 5.00 NC GR5 ZP	1
12	1027461	NUT-TOPLOCK: .50 NC GR5 ZP	1
13	58408	BAR - BOLTING	4
14	1018839	BOLT-HEX: 1.0 X 7.00 NC GR8 ZP	4
15	1013539	WASHER-LOCK: 1.00 ZP	4
16	1012664	NUT-HEX: 1.00 NC GR2 ZP	4
17	305925-1*	ASSY-PIVOT MOUNT DLS	1
18	58274*	SHAFT	1
19	1011612*	BOLT-HEX: .50 X 3.50 GR5 ZP	1
20	1027461*	NUT-TOPLOCK: .50 NC GR5 ZP	1
21	1011748*	ZERK - GREASE	2
22	305586*	BUSHING-THRUST 2.062 X 4.00 X .125	1
23	73466*	BUSHING-SPRING 2.25 X 2.0 X 2.0 L (REF)	2
24	59204*	BUSHING-BORE 2.5 X 2.015	2
25	45572	SPRING BUSHING 1.25 X 1 X 1	1
26	307240*	BUSHING-SPRING 1.25 X 1.0 X 0.75	1

Parts marked by * are included in 305924



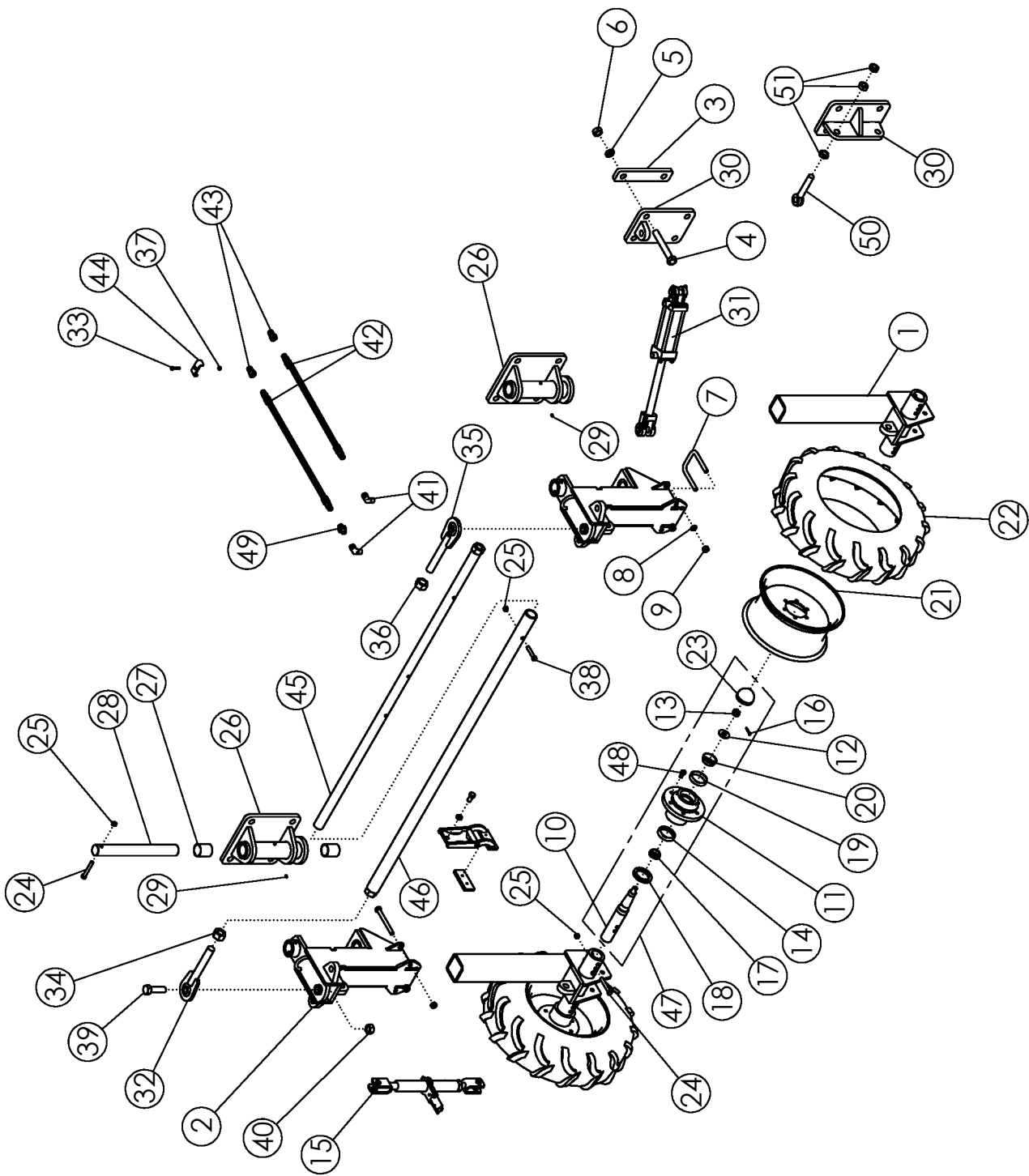
STRUTS-STEERABLE 11.2 X 24 22" CENTERING

ITEM	PART NO.	DESCRIPTION	QTY
1	305922	ASSY-STURT STEERABLE 11.2 X 24 22" PIVOT	2
2	58203	WLDMT-TIE ROD END LH	1
3	58416	WLDMT-TIE ROD 70" FEMALE	1
	306577	WLDMT-TIE ROD 85" FEMALE	
4	1030729	NUT-HEX: 1.25 NC GR2 LH ZP	1
5	1016858	BOLT-HEX: .50 X 2.75 NC GR5 ZP	1
6	1027461	NUT-TOPLOCK: .50 NC GR5 ZP	1
7	58415	WLDMT-TIE ROD 70" MALE 6 ROW	1
	306581	WLDMT-TIE ROD 107" MALE 8R/12ROW	
8	58186	WLDMT-TIE ROD END RH	1
9	1011621	NUT-HEX: 1.25 NC GR2 ZP	1
10	1026880	NUT-HEX JAM: 1.00 NC GR2 ZP	3
11	62081	BOLT-EYEBOLT 1" X 6" GR 8	1
12	306732	WLDMT-CYLINDER BRACKET ADJ	1
13	58408	BAR - BOLTING	2
14	1018839	BOLT-HEX: 1.0 x 7.00 NC GR8 ZP	4
15	1013539	WASHER-LOCK: 1.00 ZP	4
16	1012664	NUT-HEX: 1.00 NC GR2 ZP	4
17	1032276	BOLT-HEX: 1.0 X 3.50 NC GR8 ZP	2
18	1016970	NUT-TOPLOCK: 1.00 NC GR8 ZP	2
19	69200	CYLINDER HYD 3 X 4 4 PORT 24.5 CLOSED	1
	305293	SEAL KIT 69200 2015 AND NEWER	
20	69167	PIN-CYLINDER W/CLIPS 1.00 X 2.25	2
21	58560	FTG-ELBOW: 8MB-8MJ-90	4
22	36290	PIONEER TIP 8010-15P (#8 ORB)	4
23	65379	STUD-.375 X 3.00 UNC ZP	4
24	50714	CLAMP .50 ZP	8
25	1011586	WASHER-LOCK: .38 ZP	4
26	1011576	NUT-HEX: .38 NC GR2 ZP	4
27	69557	WLDMT-TIE ROD CLAMP 6ROW	1
	306579	WLDMT-TIE ROD CLAMP 8R/12ROW	
28	1011302	BOLT-HEX: .38 X 1.50 NC GR5 ZP	2
29	1016999	NUT-TOPLOCK: .368 NC ZP	2



STEERABLE REAR STRUT - 7.6 X 15 TIRES

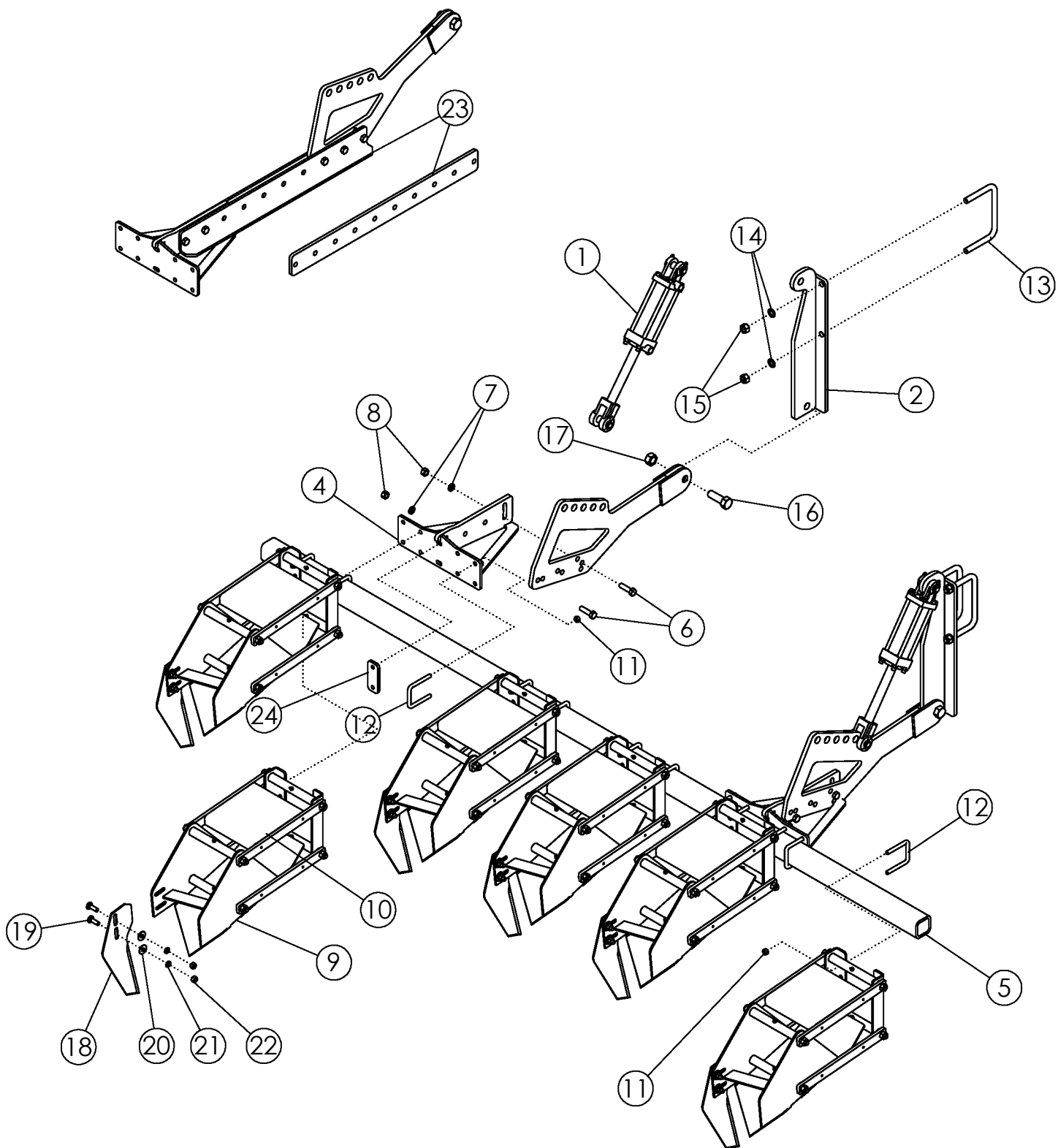
ITEM	PART NO.	DESCRIPTION	QTY
1	58281	WLDMT-SPINDLE HOUSING	2
2	63558	WLDMT-STEERABLE STRUT UPPER	2
3	58408	BAR - BOLTING	6
4	1018839	BOLT-HEX: 1.00 x 7.00 NC GR8 ZP	12
5	1013539	WASHER-LOCK: 1.00 ZP	12
6	1012664	NUT-HEX: 1.00 NC GR2 ZP	12
7	60547	U-BOLT: .63 X 5.25 X 4.00 X 5.25	2
8	1011813	WASHER-LOCK: .63 ZP	4
9	1011578	NUT-HEX: .63 NC GR2 ZP	4
10	52138*	SPINDLE	4
11	52247*	HUB-WHEEL 6 BOLT	4
12	1012377*	WASHER-SPINDLE: .81 X 2.00 NP	4
13	1012376*	NUT-SLOTTED: .75 NF GR5 NP	4
14	52243*	CUP-BEARING INNER	4
15	52407	RATCHET JACK-PAINTED	2
16	1012375*	PIN-COTTER: .19 X 1.50 NP	4
17	52245*	CONE-BEARING INNER	4
18	52242*	SEAL	4
19	52244*	CUP-BEARING OUTER	4
20	52246*	CONE-BEARIGN OUTER	4
21	52411	WHEEL 6.00-15 6 BOLT	4
22	52410	TIRE 7.60-15 I-3 6 PLY	4
	68974	TUBE-REPAIR 7.60-15 (NOT SHOWN)	AR
23	52241*	CAP-HUB	4
24	1011612	BOLT-HEX: .50 X 3.50 GR5 ZP	6
25	1027461	NUT-TOPLOCK: .50 NC GR5 ZP	7
26	58283	WLDMT-PIVOT MOUNT	2
27	59204	BUSHING - BORED	4
28	58274	SHAFT	2
29	1011748	ZERK - GREASE	4
30	58410	WLDMT-CYLINDER BRACKET	1
	306727	WLDMT-ADJ CYL BRACKET 7.6 TIRES	
31	62319	CYLINDER HYDRAULIC 2 X 4	1
	69654	SEAL KIT FOR 62319	
32	58203	WLDMT-TIE ROD END LH	1
33	1014124	BOLT-HEX: .31 X 1.50 NC GR5 ZP	2
34	1030729	NUT-HEX: 1.25 NC GR2 LH ZP	1
35	58186	WLDMT-TIE ROD END RH	1
36	1011621	NUT-HEX: 1.25 NC GR2 ZP	1
37	1030700	NUT-HEX: .31 NC GR5 ZP	2
38	1016858	BOLT-HEX: .50 X 2.75 NC GR5 ZP	1
39	1011626	BOLT-HEX: 1.00 X 3.50 NC GR5 ZP	2



STEERABLE REAR STRUT - 7.6 X 15 TIRES (CONTINUED)

ITEM	PART NO.	DESCRIPTION	QTY
40	1016969	NUT-TOPLOCK: 1.00 NC GR5 ZP	2
41	52421	FTG-ELBOW: 6MB-8FPX 90	2
42	52261	HOSE: .50 X 276 8MP-8MP	2
43	53631	PIONEER TIP 8010-4	2
44	50714	CLAMP 1/2" ZP	2
45	58415	WLDMT-TIE ROD MALE 70"	1
46	58416	WLDMT-TIE ROD FEMALE 70"	1
47	52116	ASSY-HUB & SPINDLE	4
48	1013426*	BOLT-LUG: .50 X 1.00 GR5 ZP	24
49	64737	FTG-RESTRICTOR 8MP-8FPX .063	1
50	62081	BOLT-EYEBOLT: 1.00 X 6.00 ZP GR8	1
51	1026880	NUT-JAM: 1.00 NC GR2 ZP	3

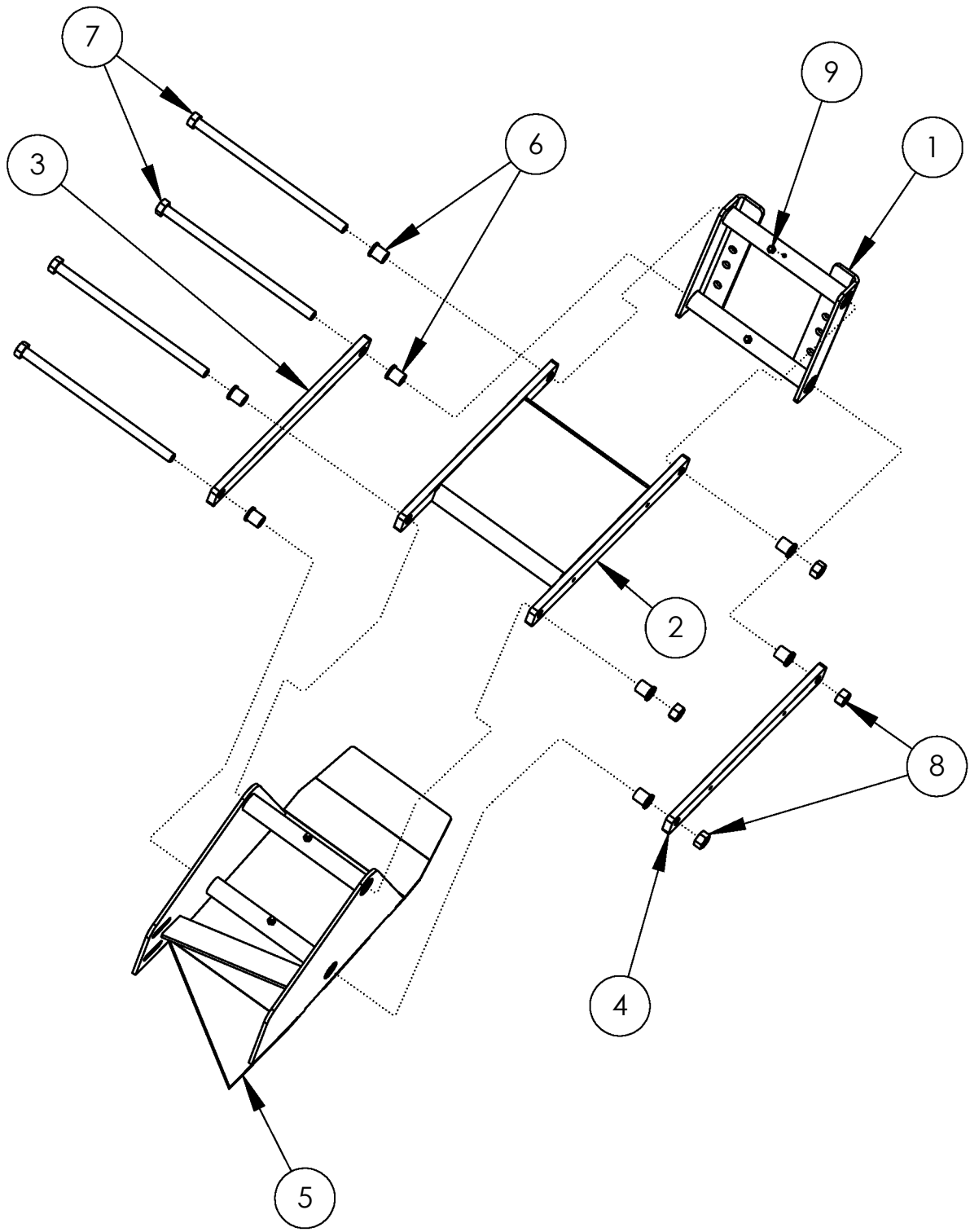
* Items are included in Item 47



SCALPER BAR ASSEMBLY

ITEM	PART NO.	DESCRIPTION	QTY
1	58890	CYLINDER HYDRAULIC 3 X 8	2
	301314	SEAL KIT FOR 58890 UNIVERSAL	
2	68239	WLDMT - MOUNT	2
3	69126	WLDMT-SCALPER ARM MNT	2
4	69127	WLDMT-BAR MNT BRACKET	2
5	51865	SCALPER BAR	1
6	1017526	BOLT-HEX .63 X 2.25 NC GR5 ZP	4
7	1011813	WASHER-LOCK: .63 ZP	4
8	1011578	NUT-HEX: .63 NC GR2 ZP	4
9	63462	ASSY-SCALPER BASKET	6
10	1013682	BOLT-HEX: .50 x 4.50 NC GR5 ZP	8
11	1027461	NUT-TOPLOCK: .50 NC GR5 ZP	36
12	69954	U-BOLT: .50 X 4.50 X 3 X 4.50	14
13	56263	U-BOLT: .75 X 5.5 X 8 X 5.5	4
14	1012061	WASHER-LOCK: .75 ZP	8
15	1011620	NUT-HEX: .75 NC GR2 ZP	8
16	1018007	BOLT-HEX: 1.0 X 3.00 NC GR5 ZP	2
17	1016969	NUT-TOPLOCK: 1.00 NC GR5 ZP	2
18	51782	SCALPER KNIFE-HEAT TREAT	6
19	1011660	BOLT-CRG: .50 X 1.50 NC GR5 ZP	12
20	1014443	WASHER-FLAT: .50 ZP	12
21	1011581	WASHER-LOCK: .50 ZP	12
22	1011577	NUT-HEX: .50 NC ZP	12
23	305183*	PLATE-SCALPER EXTENSION	4
	306101	PLATE-SCALPER EXT FLAT	
24	51551	BAR-BASKET MOUNTING	2

*USED WITH LARGER TIRE OPTION

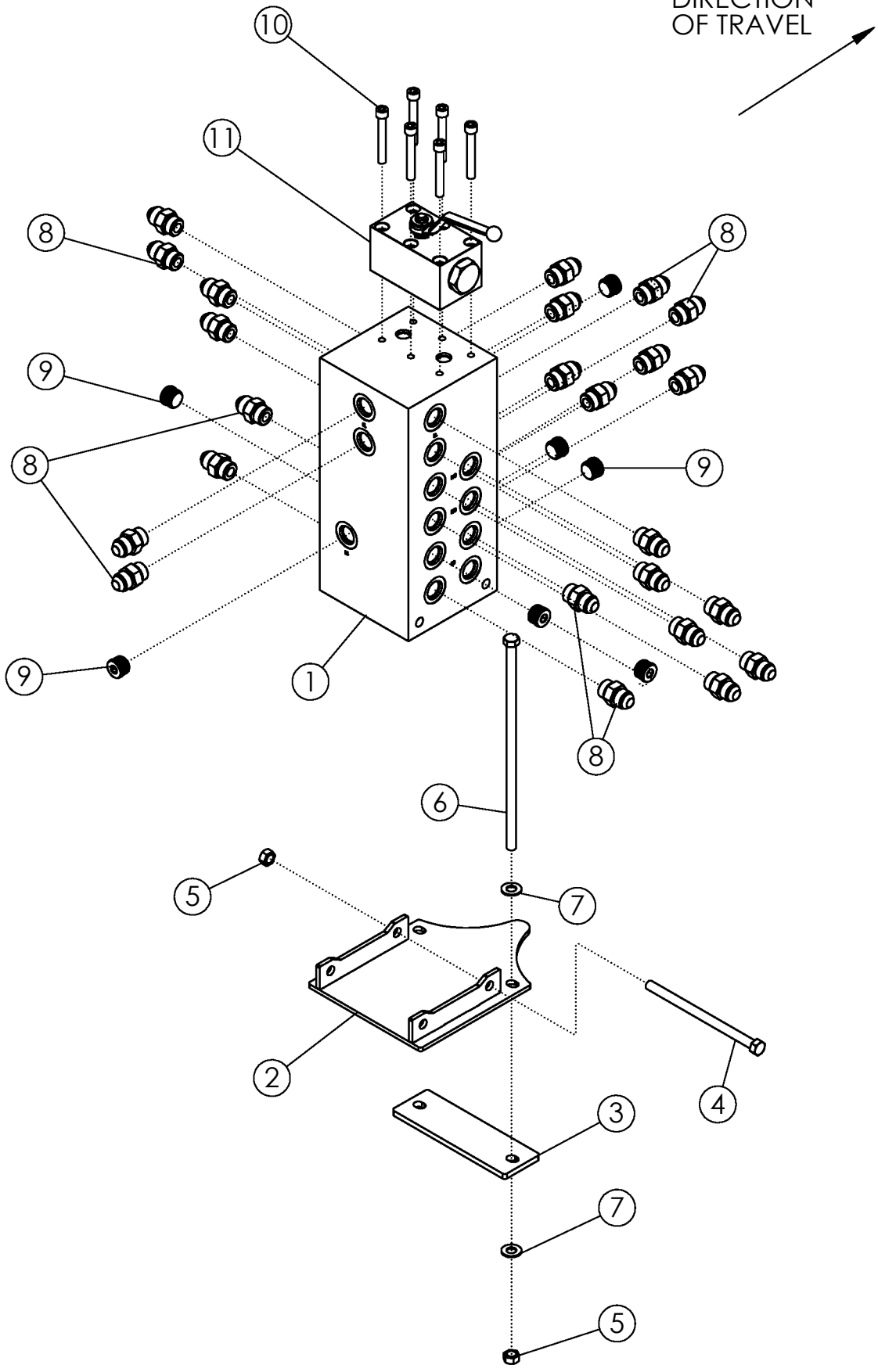


SCALPER BASKET

ITEM	PART NO.	DESCRIPTION	QTY
1	63551	WLDMT-BASKET MOUNT	1
2	306849	WLDMT-UPPER LINK	1
3	63555	BAR-PARALLEL LINK	1
4	306848	BAR-PARALLEL LINK AHC THREADED PC	1
5	63550	WLDMT-BASKET FRAME	1
	306948*	WLDMT-BASKET FRAME V2	
6	306080	BUSHING-FLANGE: .628 X 8.16 X 1.4375L	8
7	306752	BOLT-HEX: .63 X 11.813 N GR5 ZP	4
8	59316	NUT-CENTERLOCK: .625 NC GR5 ZP	4
9	1011748	ZERK-GREASE .25 UNF STRAIGHT	4

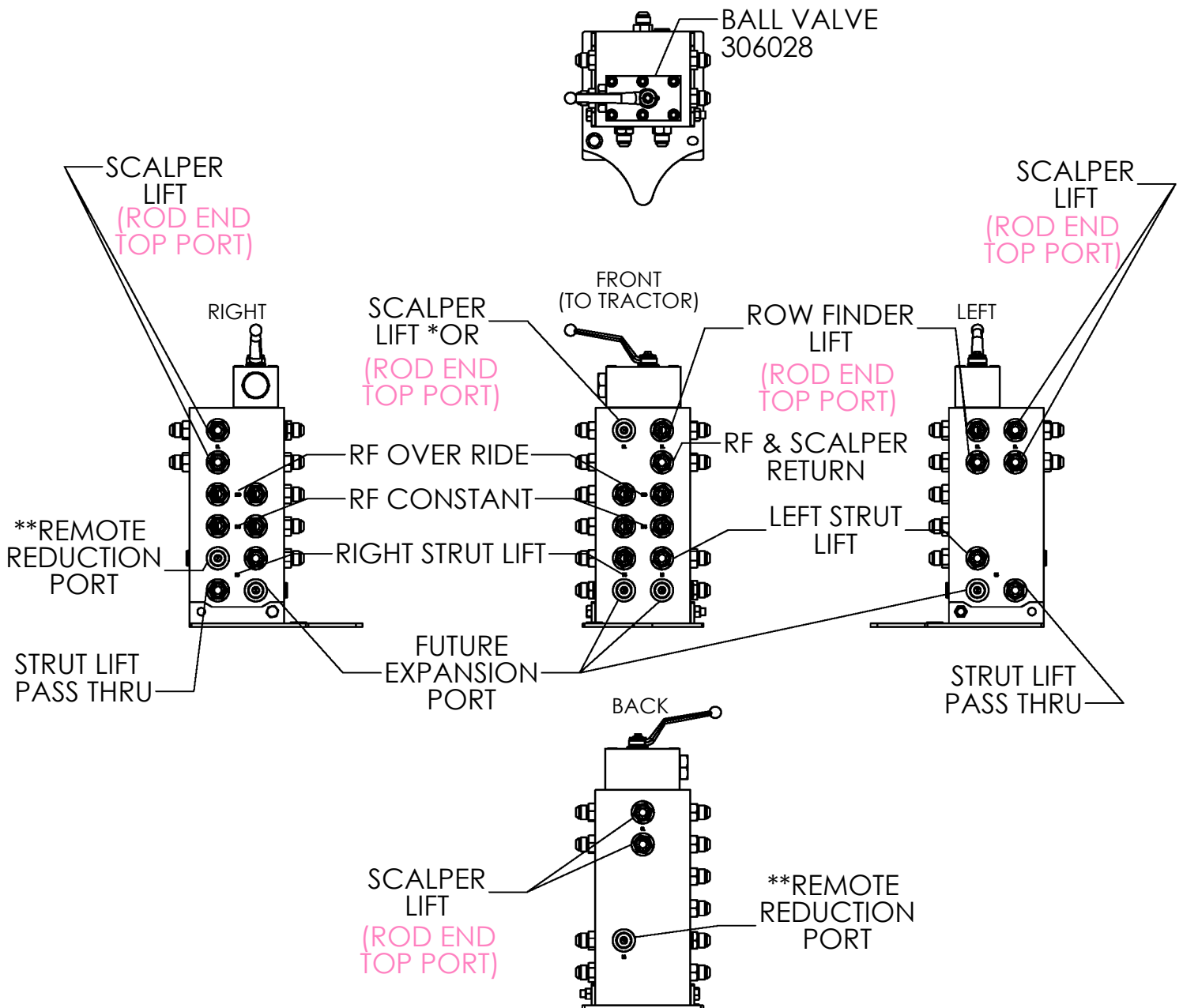
* Used in ASSY-SCALPER BASKET W/HARDWARE - SHORT

DIRECTION
OF TRAVEL



VALVE BLOCK AND MOUNT			
ITEM	PART NO.	DESCRIPTION	QTY
1	305960	HYDRAULIC BLOCK DLS	1
2	305659	WLDMT-VALVE BLOCK MOUNT	1
3	305662	PLATE-VALVE BLOCK BOLTING	1
4	34925	BOLT-HEX: .38 X 6.00 NC GR5 ZP	2
5	1016999	NUT-TOPLOCK: .38 NC GR5 ZP	4
6	305663	BOLT-HEX: .38 X 10.00 NC GR5 ZP	2
7	1014608	WASHER-FLT: SAE .38 ZP	4
8	56226	FTG-ADAPTER: 8MB-8MJ	24
9	305666	FTG-PLUG: 8MB ALLEN DRIVE	AR
10	306097	BOLT-SHCS .31 X 2.25 NC ZP	6
11	306028	VALVE-BALL MANIFOLD MOUNT	1

**** BLOCK SHOWN WITH ALL OPTIONS,
IF NOT EQUIPPED BLOCK PORTS ARE
PLUGGED WITH ITEM 9.**



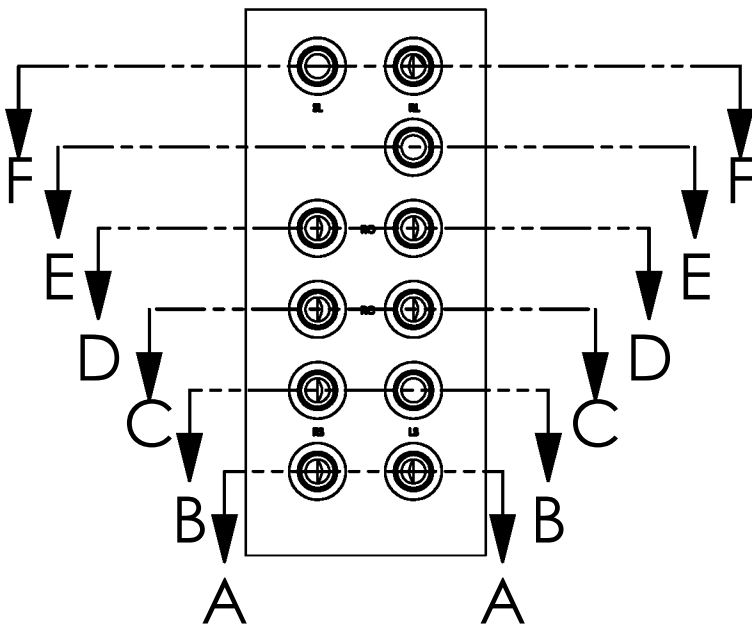
- * EITHER THE SCALPER LIFT OR ROW FINDER LIFT PORT IS USED AND THE OTHER IS PLUGGED.
- IF A FRAME MOUNTED ROW FINDER IS USED, WITH OR WITHOUT SCALPER, THE ROW FINDER LIFT PORT IS USED IN CONJUNCTION WITH A BALL VALVE. ENABELING USE OF BOTH THE SCALPER (IF EQUIPPED) AND ROW FINDER OR ROW FINDER.
- IF A SCALPER WITHOUT FRAME MOUNTED ROW FINDER IS EQUIPPED THE SCALPER LIFT PORT IS USED AND NO BALL VALVE IS INSTALLED.

** REMOTE REDUCTION PORT ALLOWS THE ROW FINDER CONSTANT FUNCTION TO BE TIED INTO THE STRUT LIFT FUNCTION TO ELIMINATE THE NEED FOR ONE ADDITIONAL HYDRAULIC REMOTE ON THE TRACTOR. IN THIS CONFIGURATION RETRACTING OR LOWERING THE STRUTS ALSO POWERS THE ROWFINDER CONSTANT FUNCTION. WHEN EXTENDING THE STRUTS A CHECK VALVE INSTALLED ON THE ROW FINDER PROHIBITS BACKWARDS OIL FLOW.

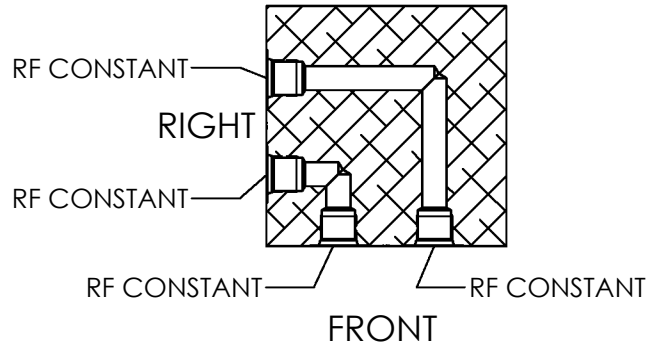
** AN ALTERNATE OPTION TO REDUCE HYDRAULIC REMOTES REQUIRED WOULD BE TO HOOK UP THE ROW FINDER CONSTANT TO THE TRACTOR'S POWER BEYOND USING AN EXTERNAL FLOW CONTROL SET TO APPROXIMATELY 7 GPM.

CROSS SECTIONAL BLOCK VIEW

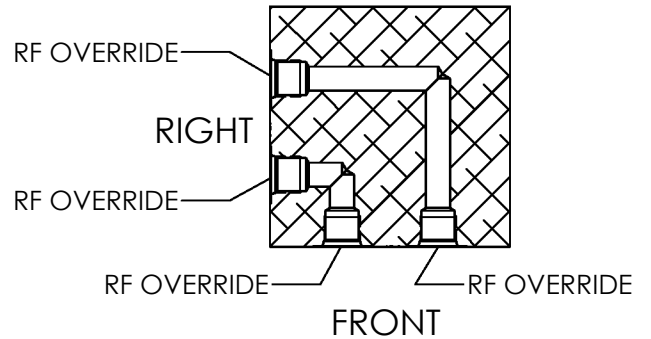
FRONT VIEW



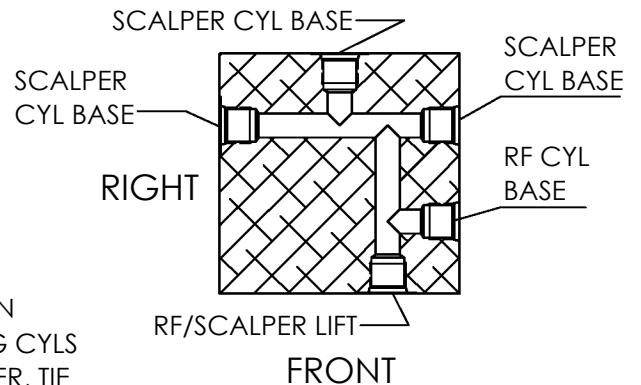
SECTION C-C



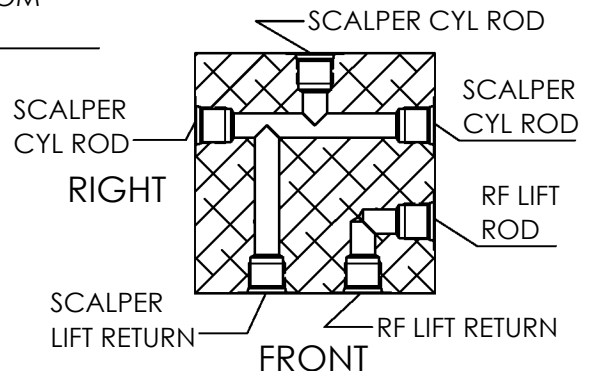
SECTION D-D



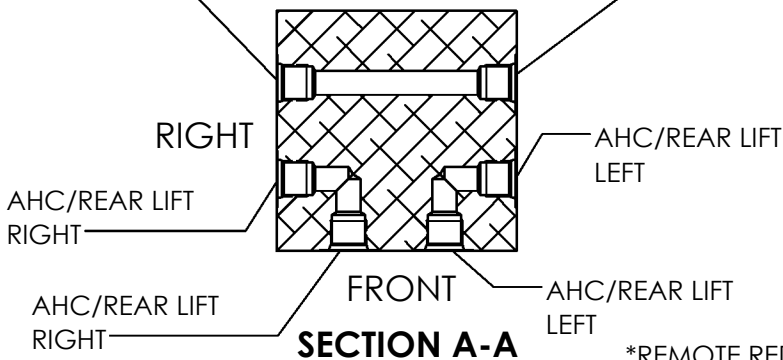
SECTION E-E



SECTION F-F



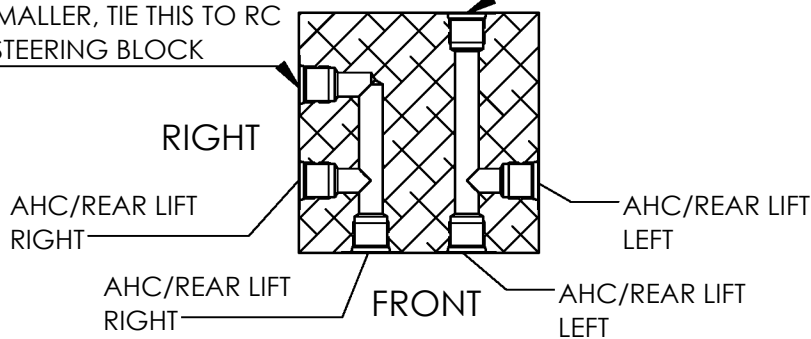
REPHASING PORT - CONNECT ROD END OF LARGER CYL TO BASE END OF SMALLER CYL FOR STD REAR LIFT



SECTION A-A

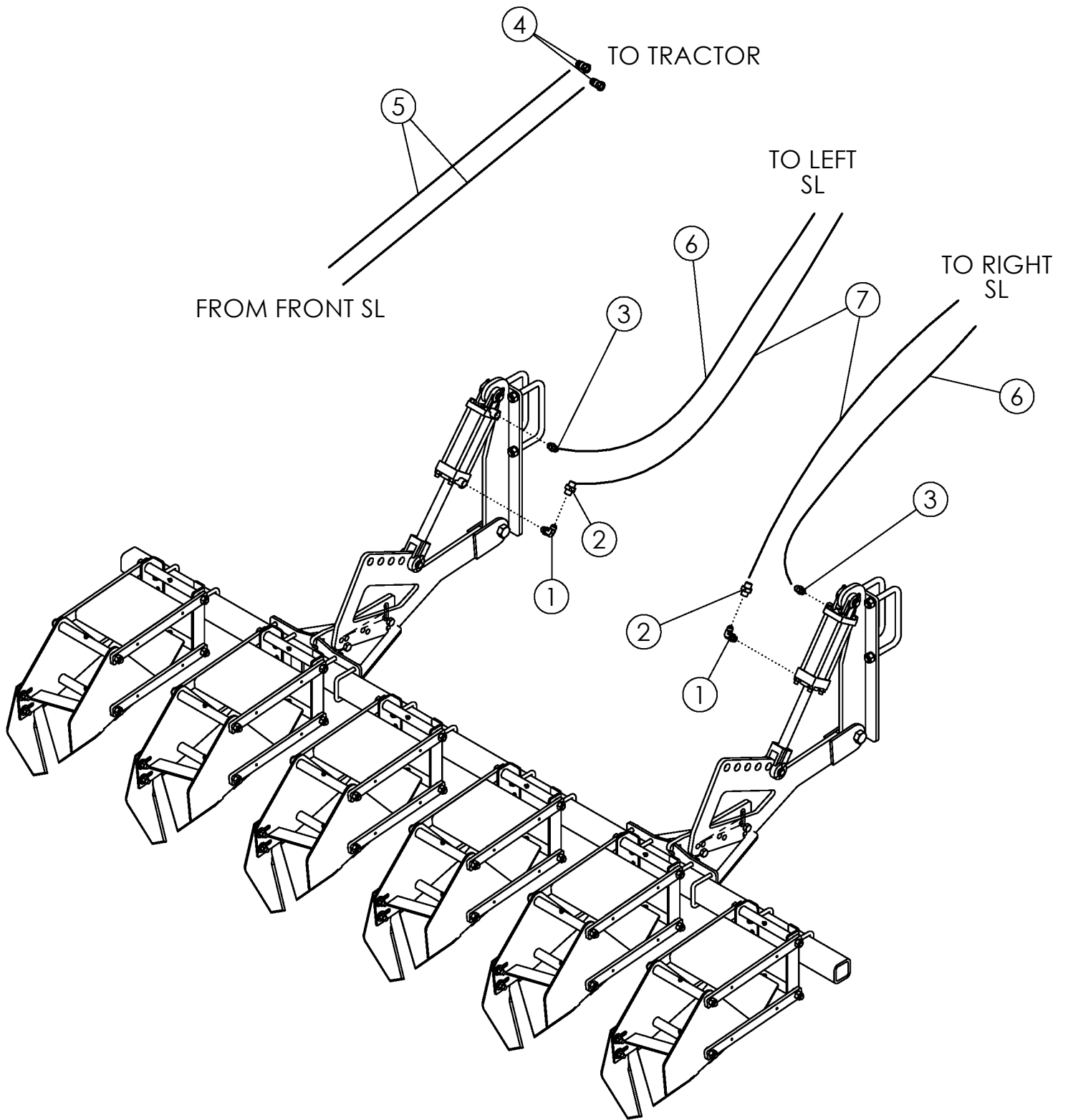
*REMOTE REDUCTION PORT W/ REPHASING CYLS - IF RH CYL IS SMALLER, TIE THIS INTO RC OF THE STEERING BLOCK; IF LH CYL IS SMALLER, TIE THIS TO INPUT BOTTOM SUPPLY OF RF VALVE

*REMOTE REDUCTION PORT W/ REPHASING CYLS - IF RH CYL IS SMALLER, TIE THIS INTO INPUT BOTTOM SUPPLY OF RF VALVE; IF LH CYL IS SMALLER, TIE THIS TO RC OF THE STEERING BLOCK



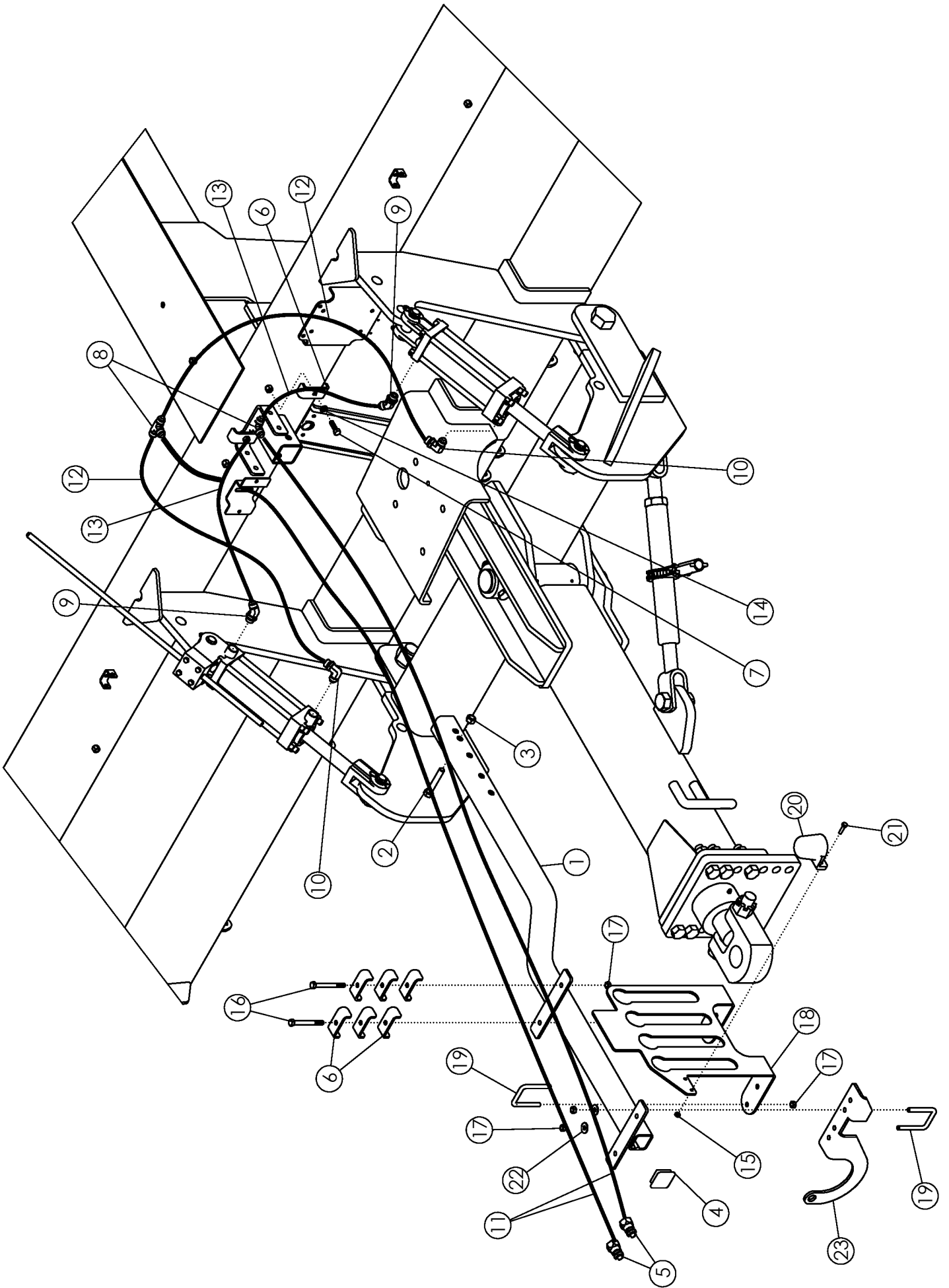
SECTION B-B

BALL VALVE IS USED WITH RF RETURN WHEN FRAME MNT RF AND SCALPERS ARE USED



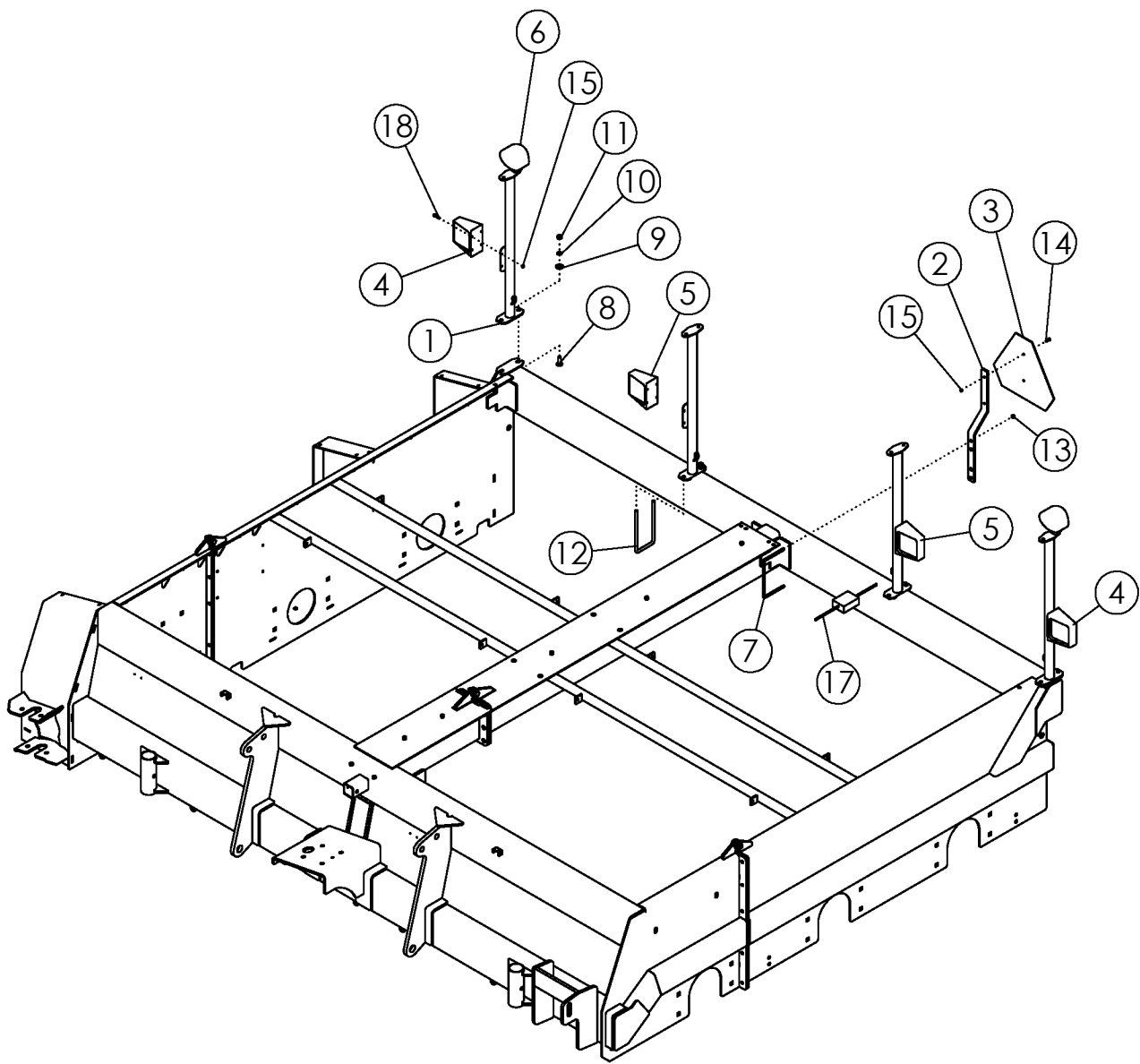
SCALPER HYDRAULICS

ITEM	PART NO.	DESCRIPTION	QTY
1	58560	FTG-ELBOW: 8MB-8MJ-90	2
2	1019844	FTG-RESTRICTOR (8FJ-8MB .090)	2
3	56226	FTG-ADAPTER: 8MB-8MJ	2
4	36290	PIONEER TIP 8015-10(#8 ORB)	2
5	305684	HOSE: .50 X 215 8FJX	2
6	68247	HOSE: .38 X 060 8FJX-8FJX	2
7	68248	HOSE: .38 X 068 8FJX-8FJX	2



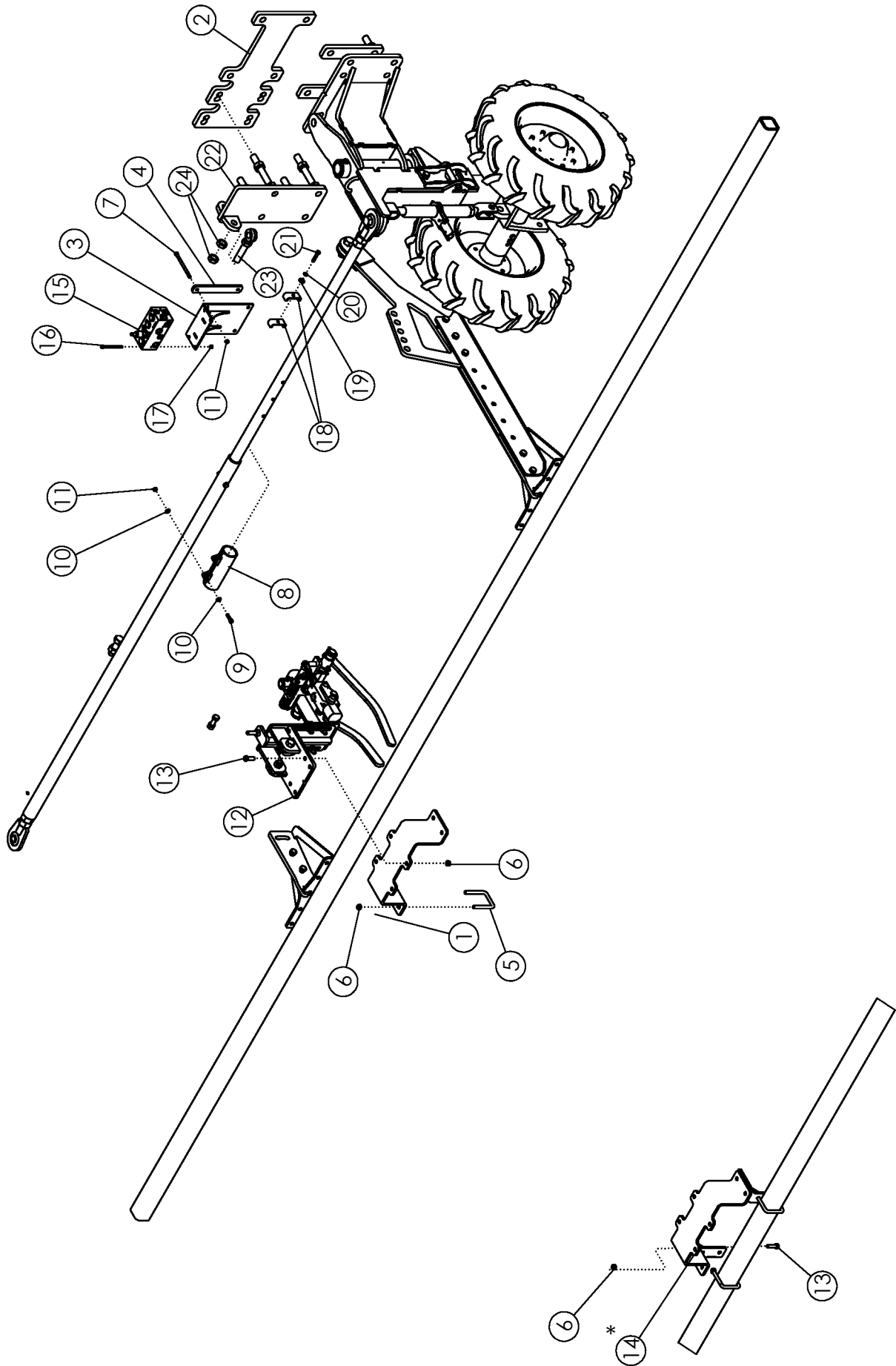
HITCH HYDRAULICS

ITEM	PART NO.	DESCRIPTION	QTY
1	301210	WLDMT-HYD HOSE HOLDER	1
2	1011611	BOLT-HEX: .50 X 3.00 NC GR5 ZP	1
3	1027461	NUT-TOPLOCK: .50 NC GR5 ZP	1
4	301129	CAPLUG-2" SQ .188 WA	1
5	36290	PIONEER TIP 8010-15 (#8 ORB)	2
6	50714	CLAMP .50 ZP	14
7	1011601	BOLT-HEX: .38 X 1.25 NC GR5 ZP	2
8	57667	FTG-TEE: 8MJ-8MJ-8MJ	2
9	58515	FTG-ELBOW: 8MB-8MJ-45	2
10	58560	FTG-ELBOW: 8MB-8MJ-90	2
11	300053	HOSE: .50 X 108 8MB-8FJX	2
12	57000	HOSE .50 X 034 8FJX-8FJX	2
13	44174	HOSE: .50 X 24 8FJX-8FJX	2
14	1011586	WASHER-LOCK: .38 ZP	2
15	1030946	NUT-TOPLOCK: .25 NC GR5 ZP	2
16	58176	BOLT-HEX: .38 X 3.50 NC GR5 ZP	4
	1015174	BOLT-HEX: .38 X 2.50 NC GR5 ZP	
17	1016999	NUT-TOPLOCK: .38 NC GR5 ZP	8
18	301900	PLATE-HYD HOSE HOLDER PIONEER TIP	1
19	33162	U-BOLT: .375 X 3 X 2 X 3	3
20	223329	HOLDER-LIGHT PLUG	1
21	1013423	BOLT-HEX: .25 X 1.00 NC GR5 ZP	2
22	1011828	WASHER-FLAT: .38 ZP	2
23	303417	PLATE-PTO STORAGE	1



LIGHT KIT

ITEM	PART NO.	DESCRIPTION	QTY
1	305219	WLDMT-LIGHT MOUNT	4
2	64246	MOUNT-SMV SIGN	1
3	65329	SIGN-SMV ASAE	1
4	305217	LIGHT-YELLOW LAMP SAE	2
5	305218	LIGHT-RED LAMP SAE	2
6	301294	LIGHT-GROTE T26 NEAR FLOOD	2
7	64244	U-BOLT: .375 X 5.125 X 8.063 X 5.125	1
8	1011660	BOLT-CRG: .50 X 1.50 NC GR5 ZP	4
9	1014443	WASHER-FLAT: .50 ZP	8
10	1011581	WASHER-LOCK: .50 ZP	8
11	1011577	NUT-HEX: .50 NC ZP	8
12	63458	U-BOLT: .50 X 9.25 X 4.00 X 9.25 ZP	2
13	1016999	NUT-TOPLOCK: .38 NC GR5 ZP	2
14	1011595	BOLT-HEX: .25 X .75 NC GR5 ZP	2
15	1030946	NUT-TOPLOCK: .25 NC GR5 ZP	18
16	1013122	TIE-NYLON CABLE 50# X 15.50" (NOT SHOWN)	12
17	305216	MODULE-FLASHER HARNESS	1
18	1013940	BOLT-HEX: .25 X 1.25 NC GR5	16
19	306761	HARNESS-DEF LIGHT MAIN (NOT SHOWN)	1
20	305292	HARNESS-DEF WORK LIGHT (NOT SHOWN)	1
21	305291	HARNESS-DEF HAZARD (NOT SHOWN)	1



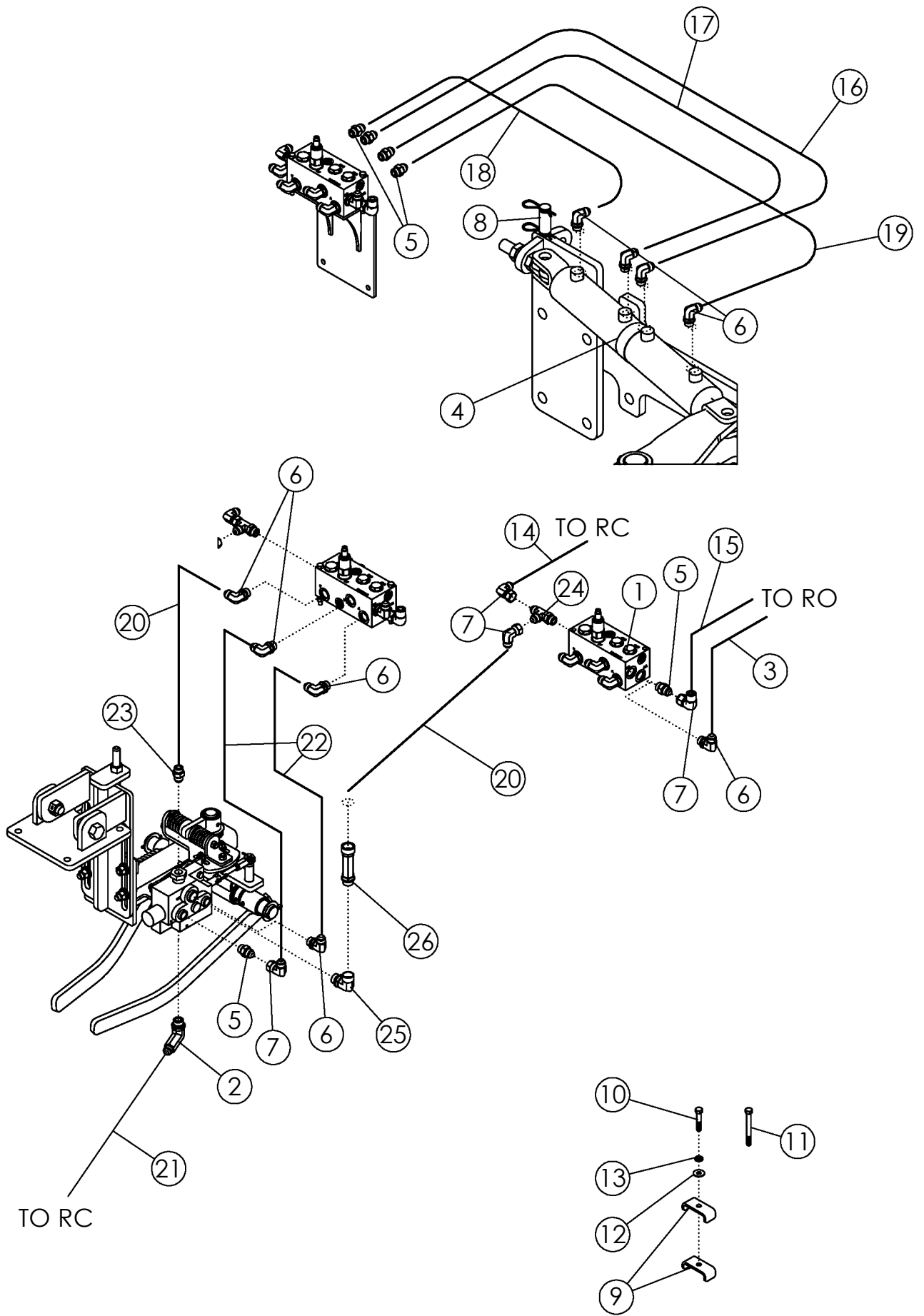
NON-AMITY SCALPER MOUNTING

ROW FINDER - SCALPER MOUNT 6R/8R			
ITEM	PART NO.	DESCRIPTION	QTY
1	70021	WLDMT-DEF ROW FINDER MOUNT	1
2	307195	PLATE-STEERING DOGBONE UNIVERSAL	1
3	69996	WLDMT-DEF VALVE MNT	1
4	64288	PLATE-BRACKET BACKING	2
5	69954	U-BOLT: .50 X 4.50 X 3 X 4.50	2
6	1027461	NUT-TOPLOCK: .50 NC GR5 ZP	8 OR 12*
7	64289	BOLT-HEX: .38 X 5.50 NC GR5 ZP	4
8	69557	WLDMT-TIE ROD CLAMP	1
9	1011602	BOLT-HEX: .38 X 1.50 NC GR5 ZP	2
10	1014608	WASHER-FLT: SAE .38 ZP	4
11	1016999	NUT-TOPLOCK: .38 NC GR5 ZP	6
12	**NOTE**	HYDRAULIC ROWFINDER	1
13	1011608	BOLT-HEX: .50 X 1.75 NC GR 5 ZP	4 OR 8*
14	69454*	WLDMT-RF MOUNT EXTENSION	2
15	69999	VALVE-DEF RF RETURN	1
16	1030778	BOLT-HEX: .31 X 4.00 NC GR5 ZP	2
17	1030700	NUT-TOPLOCK: .31 NC GR5 ZP	2
18	50714	CLAMP .50" ZP	10
19	1014608	WASHER-FLAT: SAE .38 XP	5
20	1011586	WASHER-LOCK: .38 ZP	5
21	1013239	BOLT-HEX: .38 X 3.00 NC GR5 ZP	4
22	306732	WLDMT-CYLINDER BRACKET ADJ	1
23	62081	BOLT-EYEBOLT 1" X 6" GR 8	1
24	1026880	NUT-HEX JAM: 1.00 NC GR2 ZP	3

* ITEM 14 AND HARDWARE USED ONLY WITH NON AMITY
SCALPER BASKETS

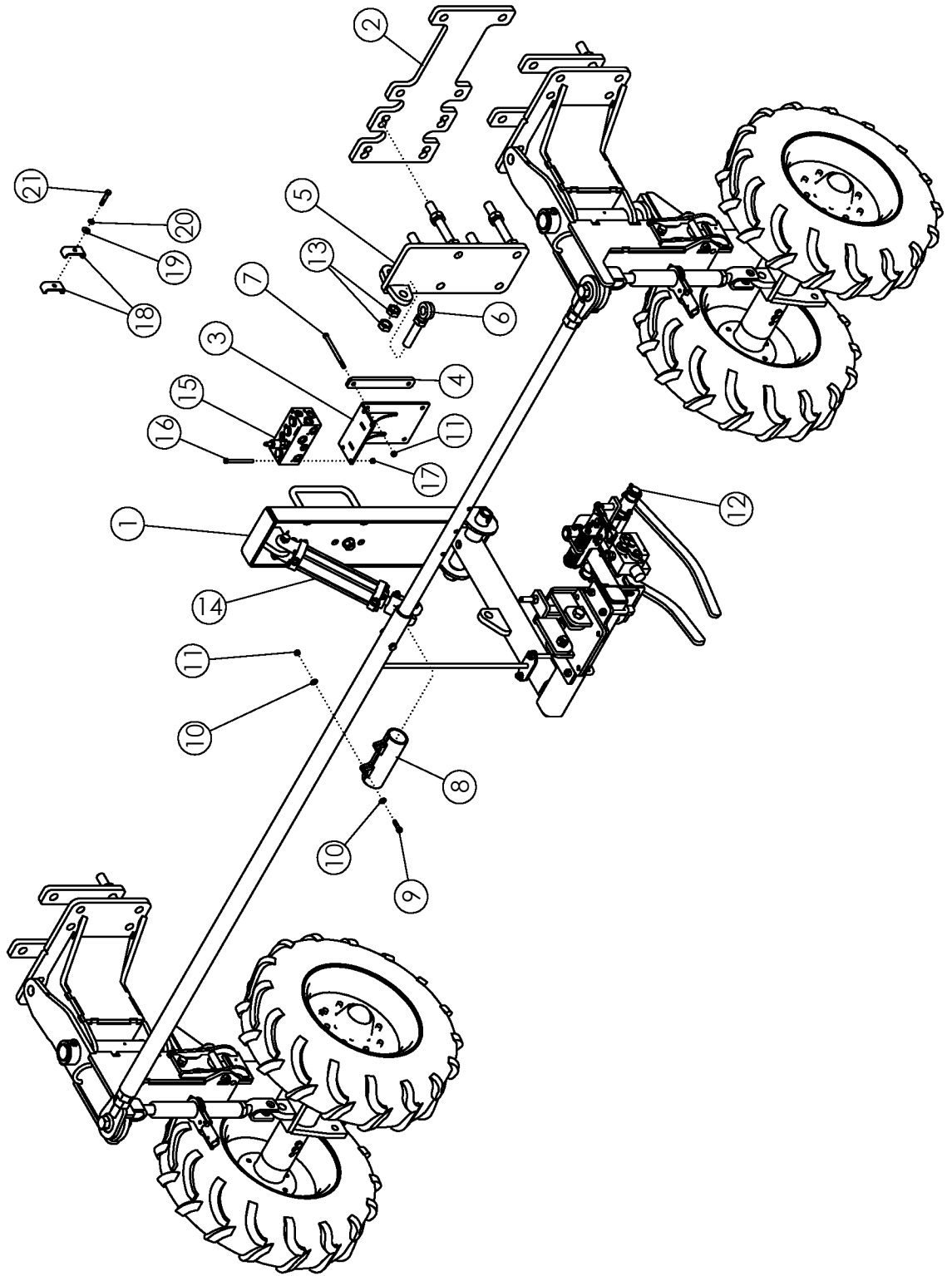
****NOTE****

- ROWFINDER NEEDS TO BE OPEN CENTER (PLUG REMOVED)
- PLACE ROWFINDER ON THE FIRST ROW LEFT OF CENTER
- FOR PARTS, REFERENCE ROWFINDER MANUAL PAGE (M4770)



SCALPER MOUNTED ROW FINDER HYDRAULICS

ITEM	PART NO.	DESCRIPTION	QTY
1	69999	VALVE-DEF ROWFINDER RETURN	1
2	306712	FTG-ELBOW: 10MB-8MJ-90L	1
3	69571	HOSE: .50 X 258 8MB-8FJX90	1
	305676	HOSE: .50 X 027 8FJX-8FJX90	
4	69200	CYLINDER-HYD 3 X 4 4PORT 23.5 CLOSED	1
	35293	SEAL KIT 2015 AND NEWER	
5	56226	FTG-ADAPTER: 8MB-8MJ	11
6	58560	FTG-ELBOW: 8MB-8MJ 90	9
7	57668	FTG-ELBOW: 8MJ-8FJX 90	4
8	69167	PIN-CYLINDER W/CLIPS 1.00 X 2.25	2
9	50714	CLAMP .50" ZP	10
10	1011603	BOLT-HEX: .38 X 1.75 NC GR5 ZP	1
11	1013239	BOLT-HEX: .38 X 3.00 NC GR5 ZP	4
12	1014608	WASHER-FLAT: SAE .38 ZP	5
13	1011586	WASHER-LOCK: .38 ZP	5
14	69570	HOSE: .50 X 252 8FJX-8MB	1
	305675	HOSE: .50 X 017 8FJX-8FJX	
15	69572	HOSE: .50 X 258 8MB-8FJX90L	1
	305677	HOSE: .50 X 027 8FJX-8FJX 90L	
16	305043	HOSE: .50 X 086 X 8FJX-8FJX90 (6R/8R)	1
	69564	HOSE: .50 X 108 8FJX-8FJX90 (9R/12R)	
17	305044	HOSE: .50 X 086 X 8FJX-8FJX90L (6R/8R)	1
	69565	HOSE: .50 X 108 8FJX-8FJX90L (9R/12R)	
18	305045	HOSE: .50 X 092 X 8FJX-8FJX90L (6R/8R)	1
	69566	HOSE: .50 X 114 8FJX-8FJX90L (9R/12R)	
19	305046	HOSE: .50 X 080 X 8FJX-8FJX90 (6R/8R)	1
	69567	HOSE: .50 X 102 8FJX-8FJX90 (9R/12R)	
20	69568	HOSE: .50 X 090 8FJX-8FJX	2
21	69569	HOSE: .50 X 336 8MB-8FJX90	1
	305683	HOSE: .50 X 096 8FJX-8FJX90	
22	305578	HOSE: .50 X 093 X 8FJX-8FJX	2
23	306856	FTG-ADAPTER: 8MB-8MJ W/ .063" ORIFICE	1
24	63016	FTG-TEE: 8MB-8MJ-8MJ	1
25	306711	FTG-ELBOW: 10MB-10FB-90	1
26	301016	VALVE-CHECK: 10MB-10FB 5000 PSI	1
27	58195	FTG-ADAPTER: 10MB-8MJ	1

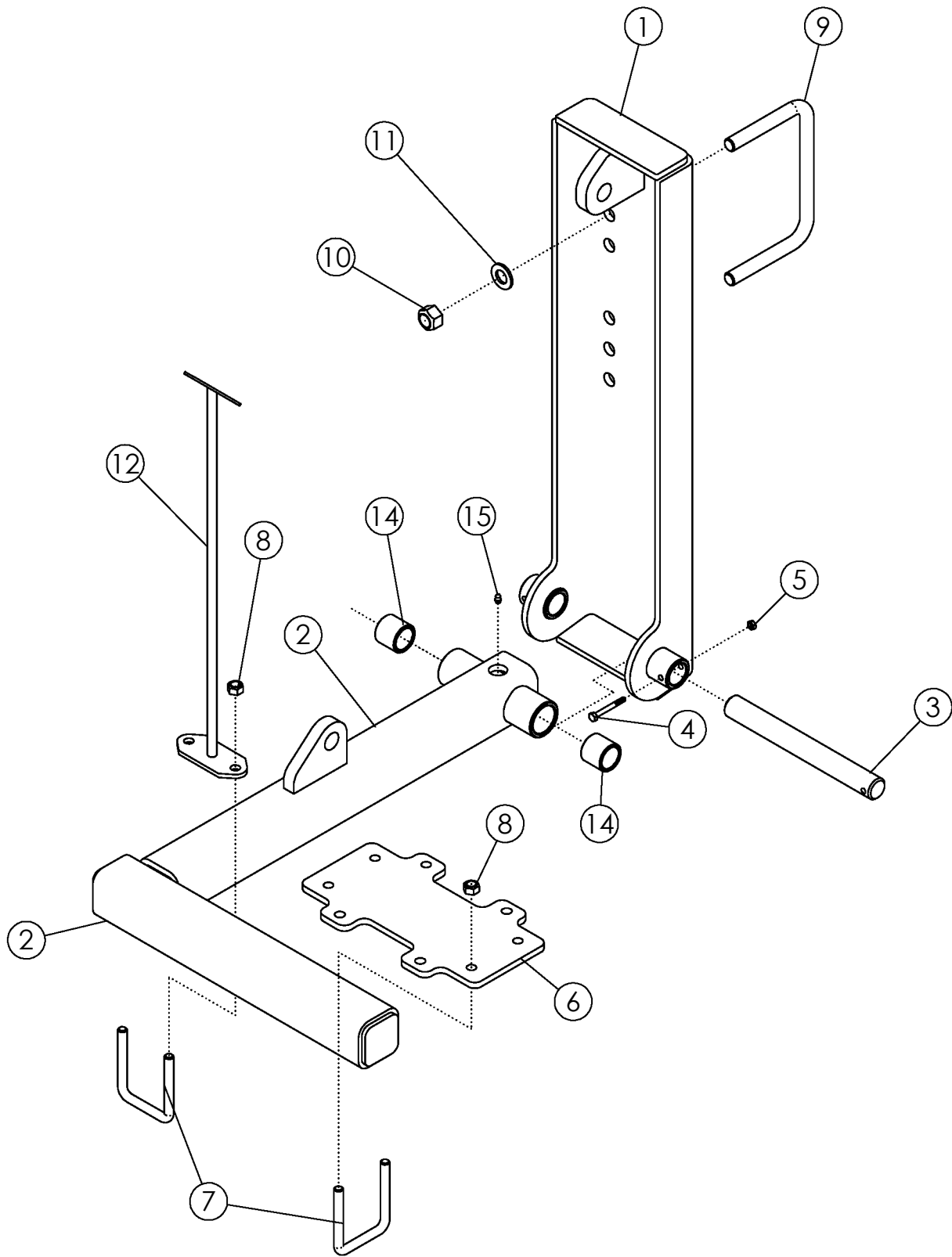


ROW FINDER - FRAME MOUNTED

ITEM	PART NO.	DESCRIPTION	QTY
1	305055	ASSY-DEF ROW FINDER MOUNT	1
2	307195	PLATE-STEERING DOGBONE UNIVERSAL	1
3	69996	WLDMT-DEF VALVE MNT	1
4	64288	PLATE-BRACKET BACKING	2
5	306732	WLDMT-CYLINDER BRACKET ADJ	1
6	62081	BOLT-EYEBOLT: 1.00 X 6.00 GR8 ZP	1
7	64289	BOLT-HEX: .38 X 5.50 NC GR5 ZP	4
8	69557	WLDMT-TIE ROD CLAMP	1
9	1011602	BOLT-HEX: .38 X 1.50 NC GR5 ZP	2
10	1014608	WASHER-FLT: SAE .38 ZP	4
11	1016999	NUT-TOPLOCK: .38 NC GR5 ZP	6
12	**NOTE**	HYDRAULIC ROW FINDER	1
13	1026880	NUT-JAM: 1.00 NC GR2 ZP	3
14	321936	CYLINDER 2 X 8	1
15	69999	VALVE-DEF RF RETURN	1
16	1030778	BOLT-HEX: .31 X 4.00 NC GR5 ZP	2
17	1030700	NUT-TOPLOCK: .31 NC GR5 ZP	2
18	50714	CLAMP .50" ZP	10
19	1014608	WASHER-FLAT: SAE .38 XP	5
20	1011586	WASHER-LOCK: .38 ZP	5
21	1013239	BOLT-HEX: .38 X 3.00 NC GR5 ZP	4

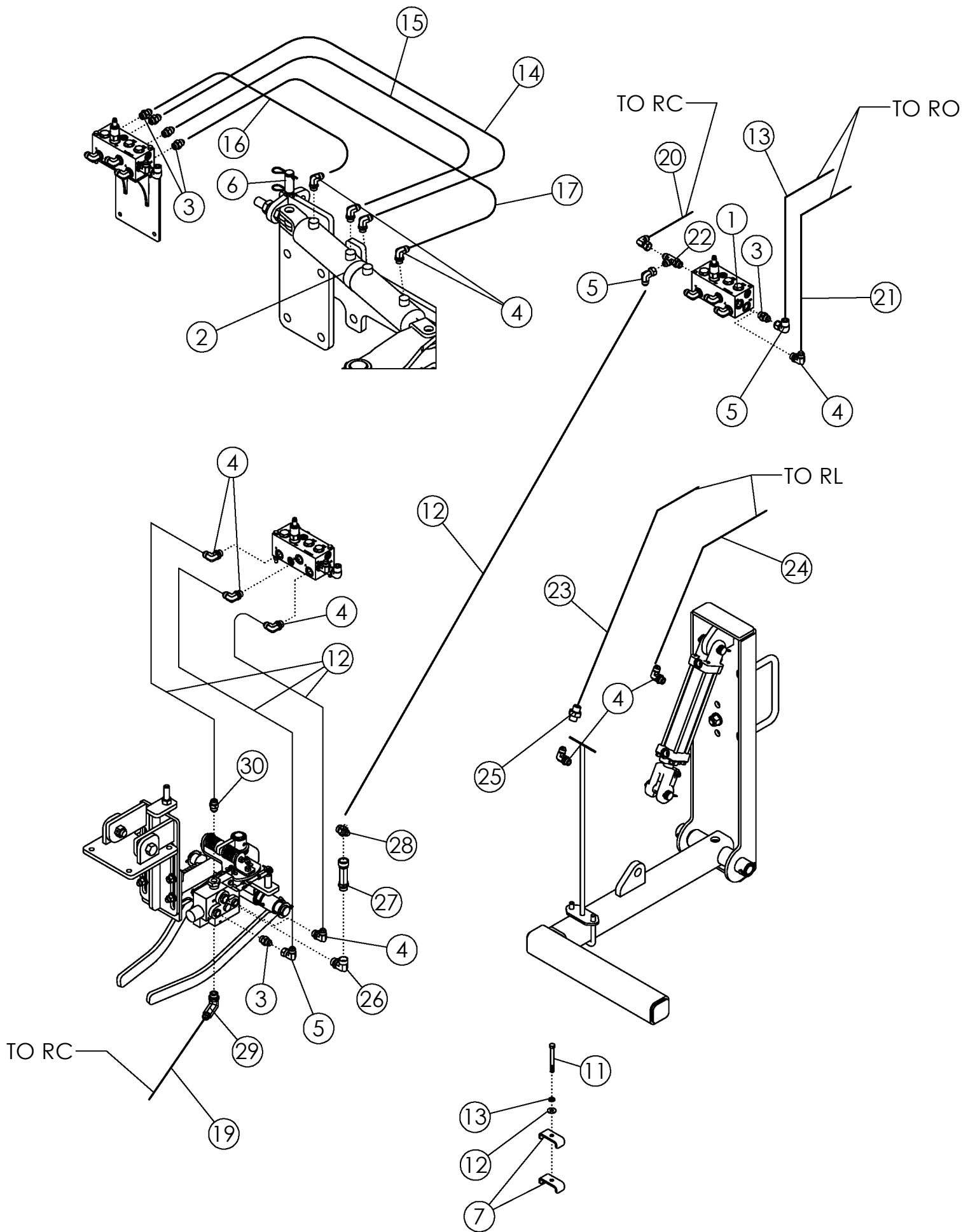
****NOTE****

- ROWFINDER NEEDS TO BE OPEN CENTER (PLUG REMOVED)
- PLACE ROWFINDER ON THE FIRST ROW RIGHT OF CENTER
- FOR PARTS, REFERENCE ROWFINDER MANUAL PAGE (M4770)



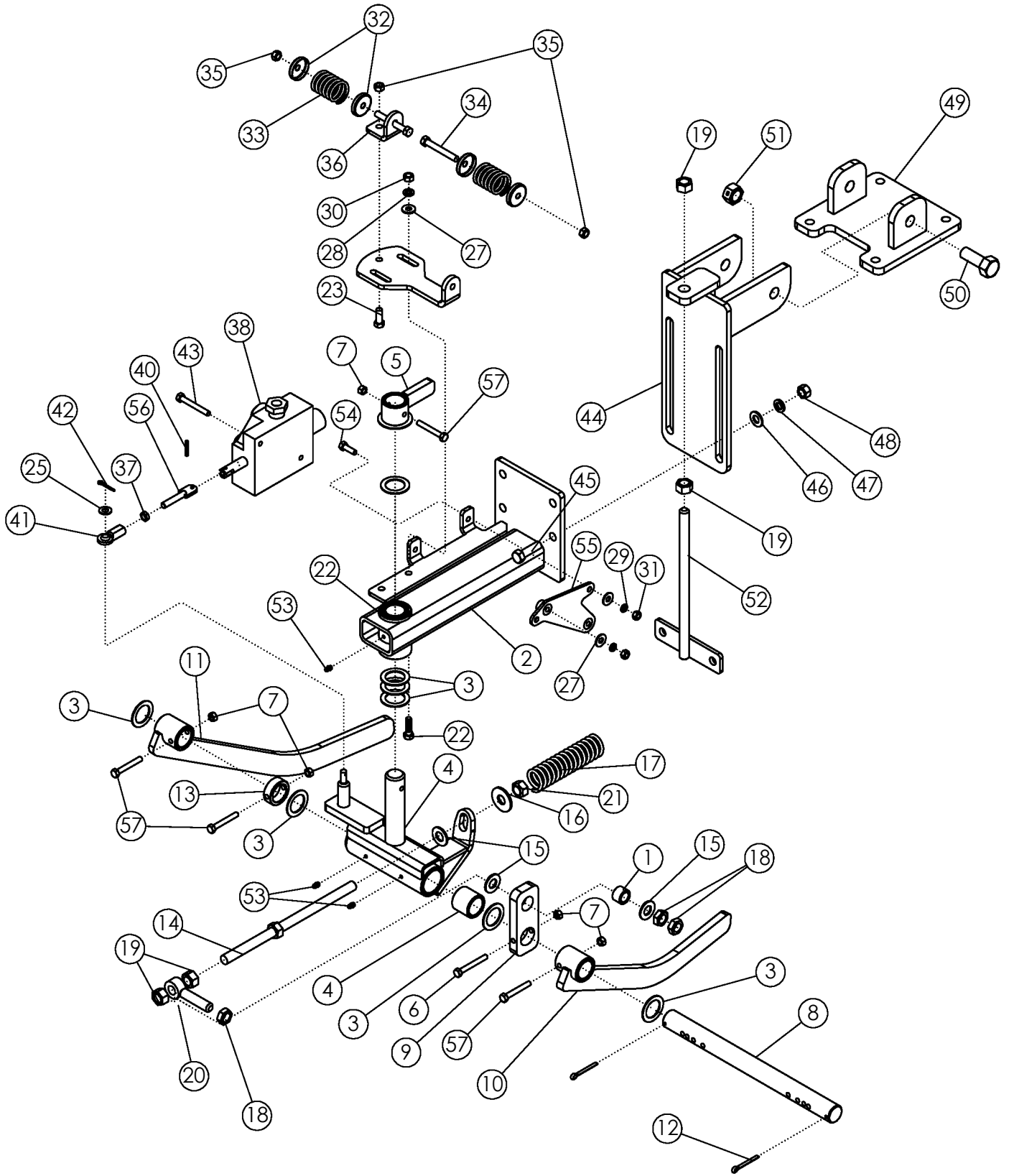
ASSY - DEF ROW FINDER MOUNT

ITEM	PART NO.	DESCRIPTION	QTY
1	305057	WLDMT-ROW FINDER MOUNT UPPER	1
2	305058-1	WLDMT-ROW FINDER LOWER W/ BUSHINGS	1
3	305053	SHAFT-ROW FINDER	1
4	1013942	BOLT-HEX: .25 X 2.25 NC GR5	1
5	1030946	NUT-TOPLOCK: .25 NC GR5 ZP	1
6	305056	PLATE-DEF FR MOUNT (1 ROW)	1
7	69954	U-BOLT: .500 X 4.00 X 3 X 4.00	3
8	1027461	NUT-TOPLOCK: .50 NC GR5 ZP	6
9	56263	U-BOLT: .75 X 5.5 X 8 X 5.5	2
10	1017000	NUT-TOPLOCK: .75 NC GR5 ZP	4
11	1012634	WASHER-FLAT: SAE .75 ZP	4
12	305410	WLDMT-INDICATOR RF FRAME MOUNT	1
13	65332	DECAL-RED/ORANGE FLUORESCENT (NOT SHOWN)	1
14	56939	BUSHING-OILITE: 1.25 X 1.625 X 1.5L	2
15	1011748	ZERK-GREASE: .25 UNF STRAIGHT	1



ROW FINDER HYDRAULICS - FRAME MOUNTED

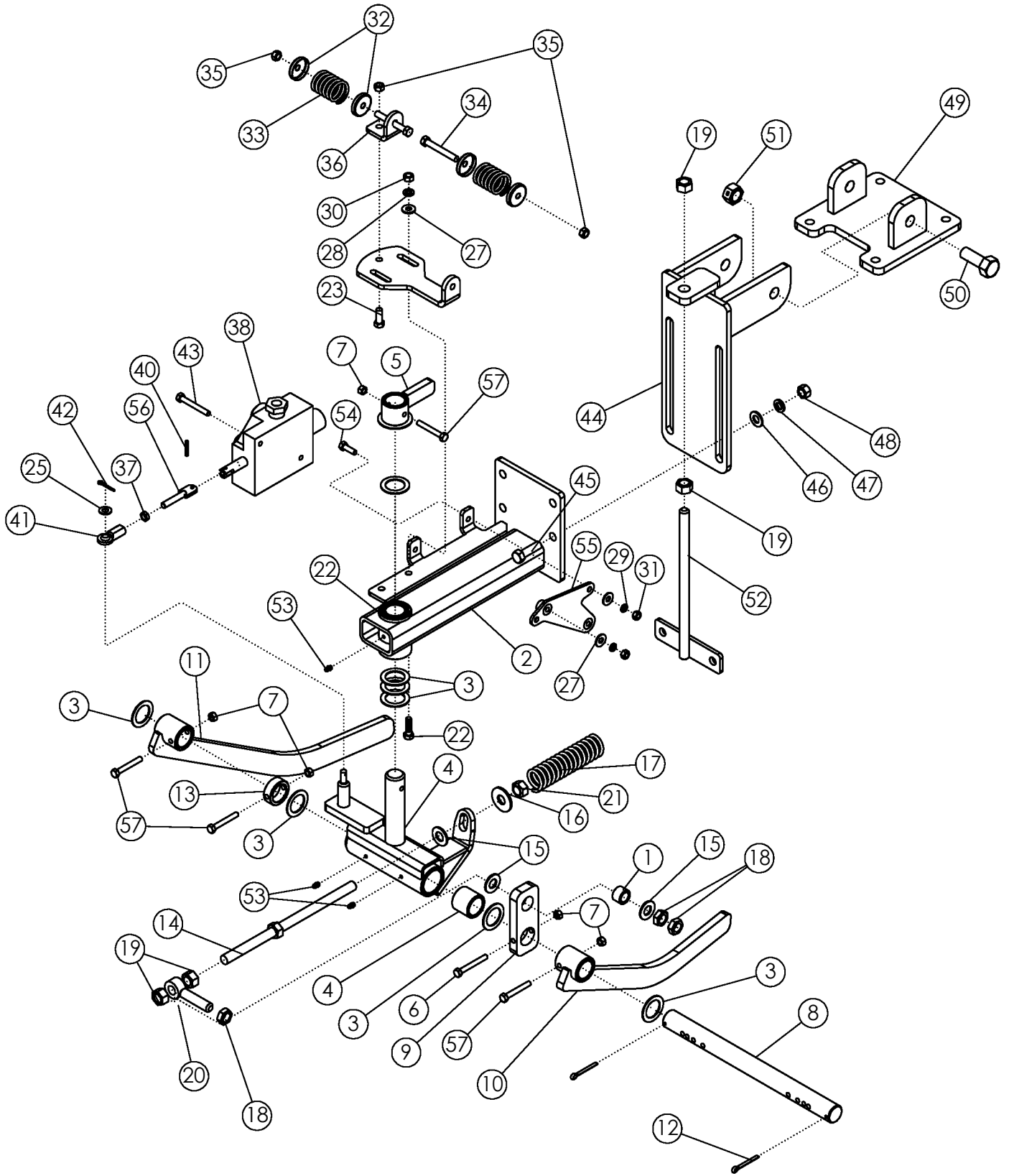
ITEM	PART NO.	DESCRIPTION	QTY
1	69999	VALVE-DEF ROWFINDER RETURN	1
2	69200	CYLINDER-HYD 3 X 4 4PORT 23.5 CLOSED	1
3	56226	FTG-ADAPTER: 8MB-8MJ	10
4	58560	FTG-ELBOW: 8MB-8MJ 90	11
5	57668	FTG-ELBOW: 8MJ-8FJX 90	4
6	69167	PIN-CYLINDER W/CLIPS 1.00 X 2.25	2
7	50714	CLAMP .50" ZP	10
8	1011603	BOLT-HEX: .38 X 1.75 NC GR5 ZP	1
9	1013239	BOLT-HEX: .38 X 3.00 NC GR5 ZP	4
10	1014608	WASHER-FLAT: SAE .38 ZP	5
11	1011586	WASHER-LOCK: .38 ZP	5
12	300254	HOSE: .50 X 076 X 8FJX-8FJX	4
13	305677	HOSE: .50 X 027 8FJX-8FJX90L	1
	69572	HOSE: .50 X 258 X 8MB-8FJX90L	
14	69654	HOSE: .50 X 108 8FJX-8FJX90 (9R/12R)	1
	305043	HOSE: .50 X 086 8FJX-8FJX90 (6R/8R)	
15	69565	HOSE: .50 X 108 8FJX-8FJX90L (9R/12R)	1
	305044	HOSE: .50 X 086 8FJX-8FJX90L (6R/8R)	
16	69566	HOSE: .50 X 114 8FJX-8FJX90L (9R/12R)	1
	305045	HOSE: .50 X 092 8FJX-8FJX90L (6R/8R)	
17	69567	HOSE: .50 X 102 8FJX-8FJX90 (9R/12R)	1
	305046	HOSE: .50 X 080 8FJX-8FJX90 (6R/8R)	
18	305679	HOSE: .50 X 074 10FJX-8FJX90	1
19	64265	HOSE: .50 X 072 8FJX-8FJX90	1
	69569	HOSE: .50 X 336 X 8MB-8FJX90	
20	305675	HOSE: .50 X 017 8FJX-8FJX	1
	69570	HOSE: .50 X 252 X 8FJX-8MB	
21	305676	HOSE: .50 X 027 8FJX-8FJX90	1
	69571	HOSE: .50 X 258 X 8MB-8FJX90	
22	63016	FTG-TEE: 8MB-8MJ-8MJ	1
23	305441	HOSE: .38 X 040 8FJX-8FJX 90	1
24	305426	HOSE: .38 X 030 8FJX-8FJX 90	1
25	1019844	FTG-RESTRICTOR 8FJ-8MJ .090	1
26	306711	FTG-ELBOW: 10MB-10FB-90	1
27	301016	VALVE-CHECK: 10MB-10FB 5000 PSI	1
28	58195	FTG-ADAPTER: 10MB-8MJ	1
29	306712	FTG-ELBOW: 10MB-8MJ-90L	1
30	306856	FTG-ADAPTER: 8MB-8MJ W/ .063" ORIFICE	1



HYDRAULIC ROW FINDER

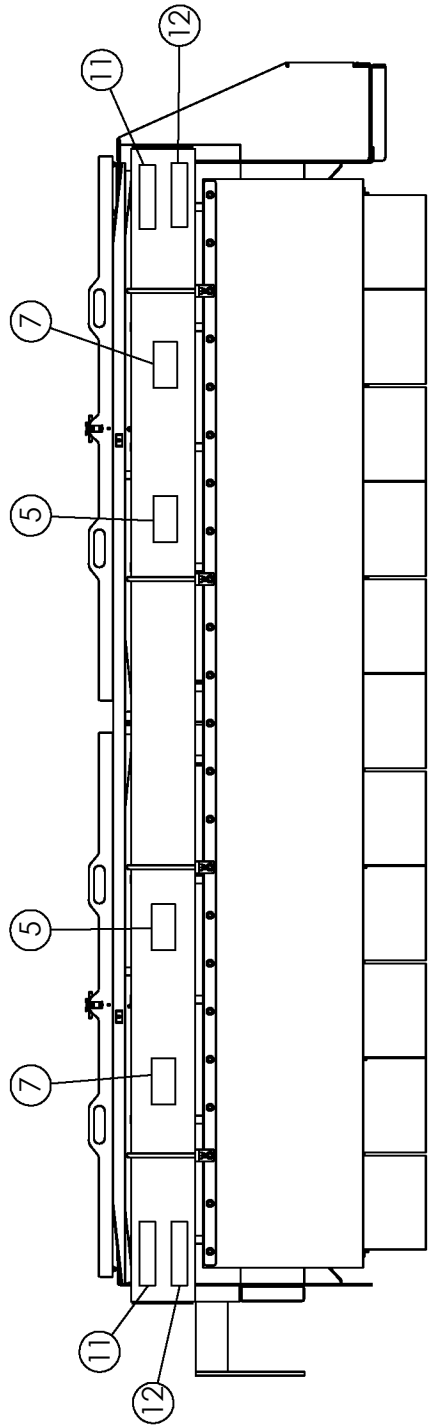
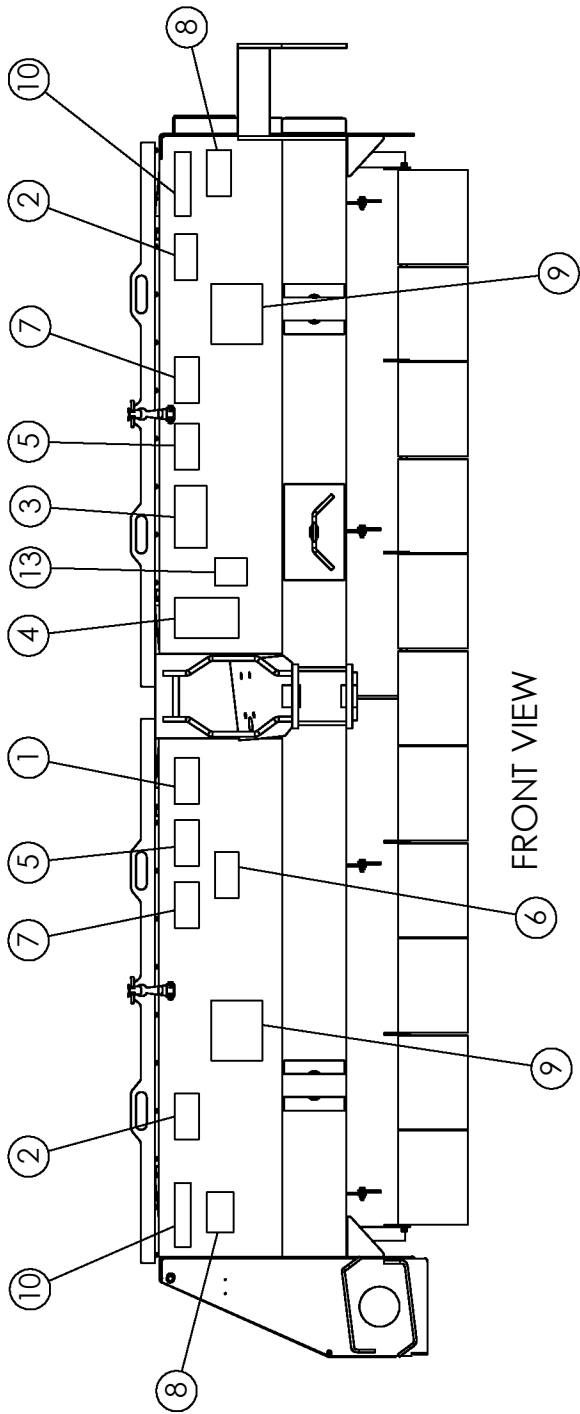
ITEM	PART NO.	DESCRIPTION	QTY
1	52567	BUSHING-ZP	1
2	62520	ASSY-MAIN FRAME	1
3	55206	BUSHING-MACH: 1.25 NR 14GA	9
4	51139	ASSY - SWVEL	1
5	51130	WLDMT-FLIPPER	1
6	301748	BOLT-HEX: .31 X 2.50 NC GR8 ZP	1
7	301749	NUT-TOPLOCK: .31 NC GR8 ZP	5
8	51690	SHAFT ZP	1
9	52566	TENSIONER ARM	1
10	51131	SENSOR ARM-L.H.	1
11	52564	SENSOR ARM-R.H.	1
12	1030797	PIN-COTTER: .19 X 1.75 NP	2
13	51137	COLLAR	1
14	52565	ADJUSTMENT BOLT	1
15	1013004	WASHER-FLAT: SAE .63 ZP	3
16	1013024	WASHER-FLAT: .63 ZP	2
17	51692	SPRING: .21 X 1.44 OD X 6.00 15 COILS	1
18	1026259	NUT-JAM: .63 NC GR2 ZP	3
19	1011578	NUT-HEX: .63 NC GR2 ZP	4
20	51691	EYEBOLT: .63 X 3.25 ZP	1
21	1016595	NUT-TOPLOCK: .63 NC GR5 ZP	1
22	1011601	BOLT-HEX: .38 X 1.25 NC GR5 ZP	2
23	1011600	BOLT-HEX: .38 X 1.00 NC GR5 ZP	1
24	51129	PLATE	1
25	1014608	WASHER-FLT: SAE .38 ZP	1
26	1020416	WASHER-FLAT: .25 ZP	2
27	1011583	WASHER-FLAT: .31 ZP	2
28	1011586	WASHER-LOCK: .38 ZP	2
29	1029115	WASHER-LOCK: .31 ZP	2
30	1011576	NUT-HEX: .38 NC GR2 ZP	2
31	1011575	NUT-HEX: .31 NC GR2 ZP	2
32	52582	SPRING CAP	4
33	51689	SPRING	2
34	1019828	BOLT-HEX: .38 X 2.75 NC GR5 ZP	2
35	1016999	NUT-TOPLOCK: .38 NC GR5 ZP	3
36	51128	SPRING PLATE	1
37	1030792	NUT-JAM: .38 NF GR2 ZP	1
38	306698	VALVE-ROWFINDER POWER BEYOND	1
39	62540	PLATE STUD ZP	1
40	64157	PIN-ROLL: .19 X 1.125 ZP	1

CONTINUED



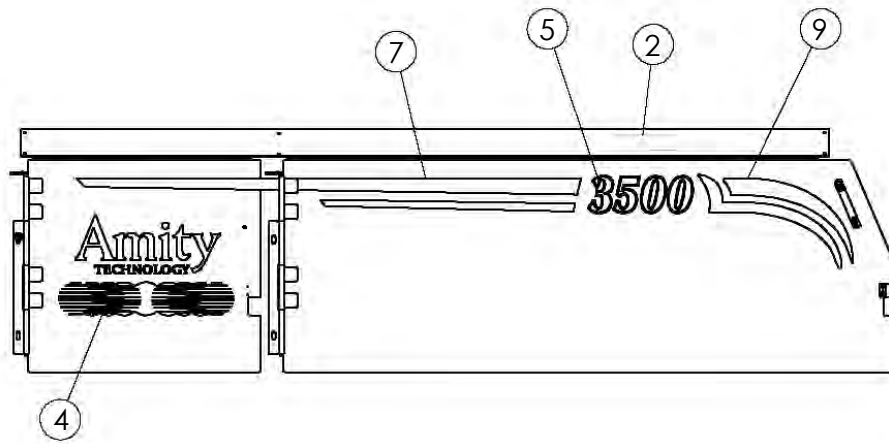
HYDRAULIC ROW FINDER (CONTINUED)

ITEM	PART NO.	DESCRIPTION	QTY
41	51136	UNIBALL COUPLING	1
42	1029137	PIN-COTTER: .13 X 1.00 ZP	1
43	1027258	BOLT-HEX: .31 X 2.50 NC GR5 ZP	2
44	52181	MOUNTING BRACKET	1
45	1011608	BOLT-HEX: .50 X 1.75 NC GR5 ZP	4
46	1011584	WASHER-FLAT: SAE .50 ZP	4
47	1011581	WASHER-LOCK: .50 ZP	8
48	1011577	NUT-HEX: .50 NC GR2 ZP	8
49	62871	WLDMT-BRACKET	1
50	1012060	BOLT-HEX: .75 X 2.00 NC GR5 ZP	2
51	1013537	NUT-TOPLOCK: .75 NC GR5 ZP	2
52	62882	TIGHTENER BOLT-ZP	1
53	1011748	ZERK - GREASE	3
54	1011598	BOLT-HEX: .31 X 1.00 NC GR5 ZP	2
55	306854	WLDMT-R/F MNT PB	1
56	301750	WLDMT-STUD RF LONG ZP	1
57	301258	BOLT-HEX: .31 X 2.25 NC GR8 ZP	4

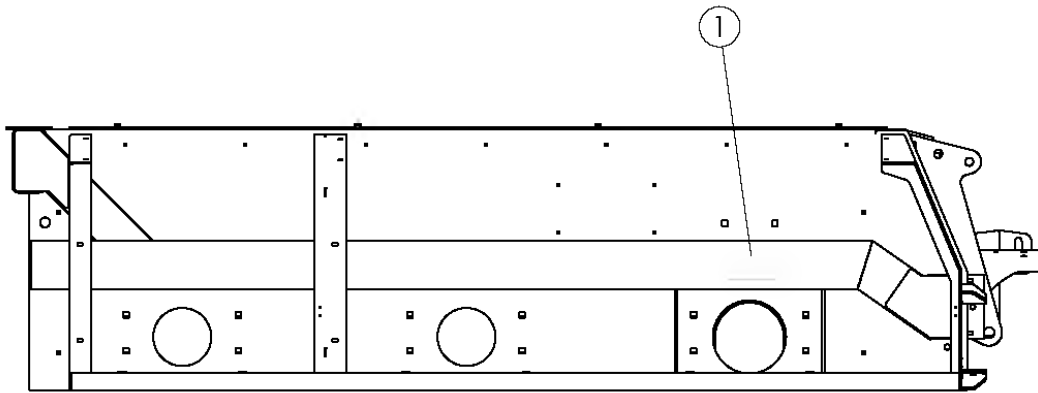


DECALS

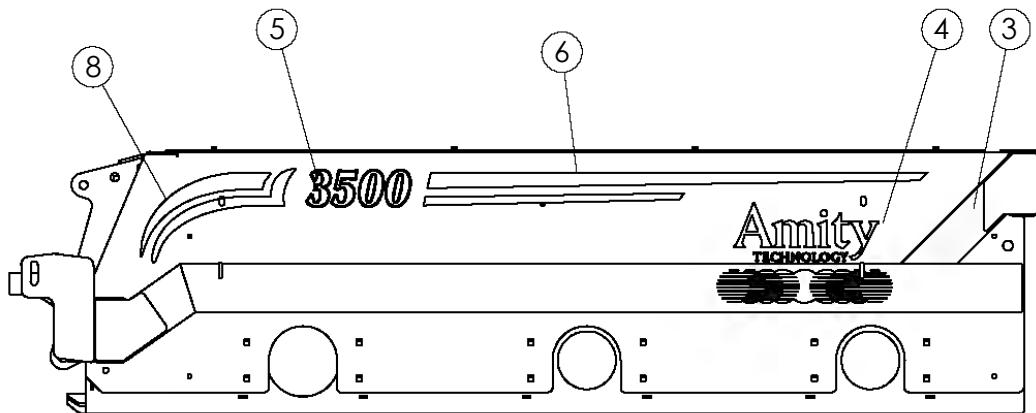
ITEM	PART NO.	DESCRIPTION	QTY
1	52341	DECAL-WARNING SHIELDS	1
2	52334	DECAL-WARNING NO RIDE	2
3	52329	DECAL-DANGER MOVING PARTS	1
4	52339	DECAL-WARNING OPERATION	1
5	52340	DECAL-DANGER	4
6	52338	DECAL DANGER ROTATION	1
7	52336	DECAL-CAUTION	4
8	64617	DECAL-DANGER CRAWL UNDERNEATH	2
9	63465	DECAL-AMITY LOGO SMALL	2
10	65331	DECAL-RETROFLECTIVE-YELLOW	2
11	65330	DECAL-RETROFLECTIVE-RED	2
12	65332	DECAL-RED ORANGE FLUORESCENT	2
13	62964	DECAL-WARNING HIGH PRESSURE FLUIDS	1



RIGHT SIDE DOOR



RIGHT SIDE UNDERNEATH DOOR



LEFT SIDE

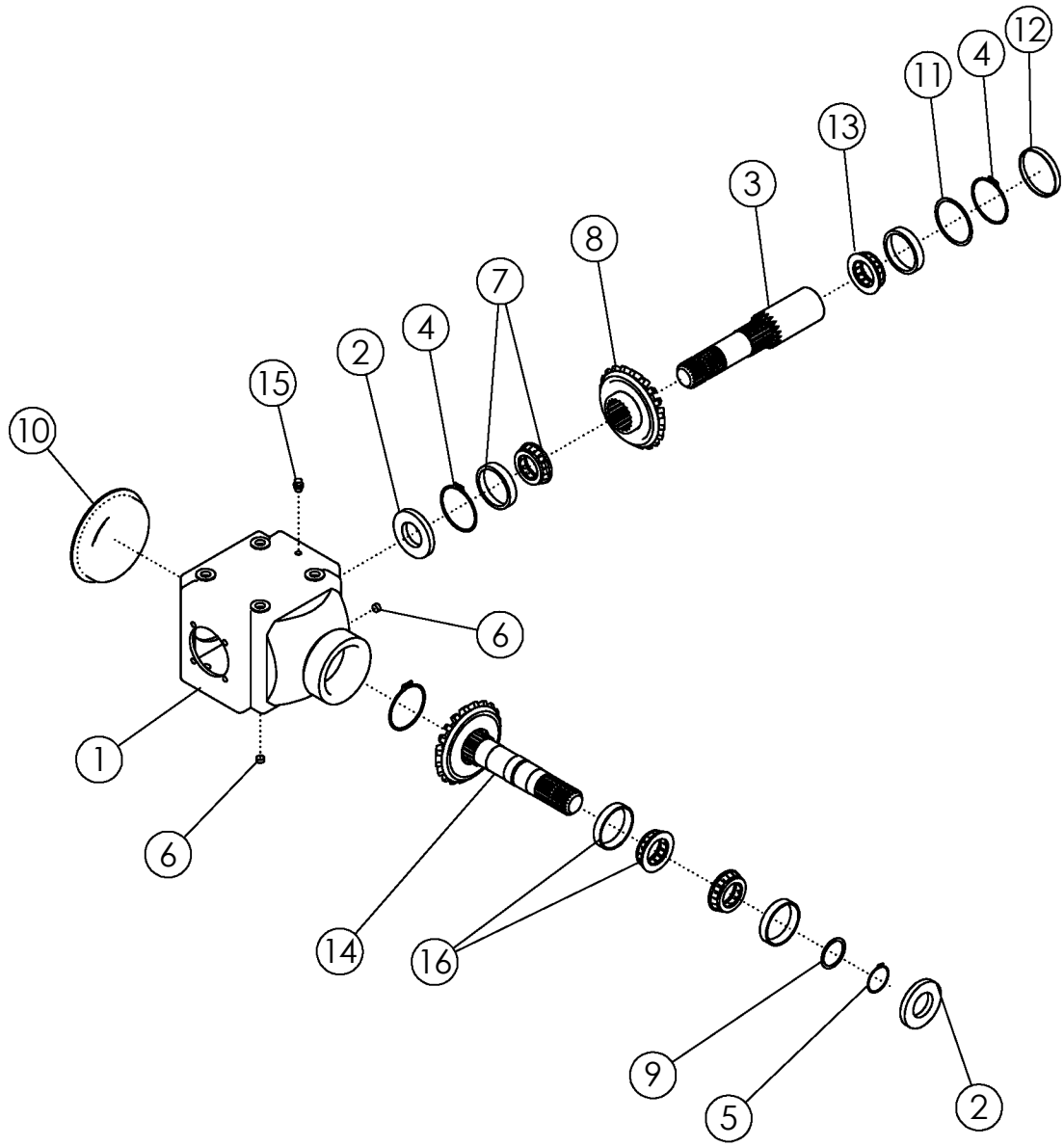
10

DEF-00 Series Hose Color Chart	
Black	Hitch
Blue	Row Finder Constant or Centering Steering
Yellow	Row Finder Override or Steering
Green	Scalper and/or Row Finder Lift
Orange	Strut Lift/AHC Constant
Red	Door Lift

PN: 302231

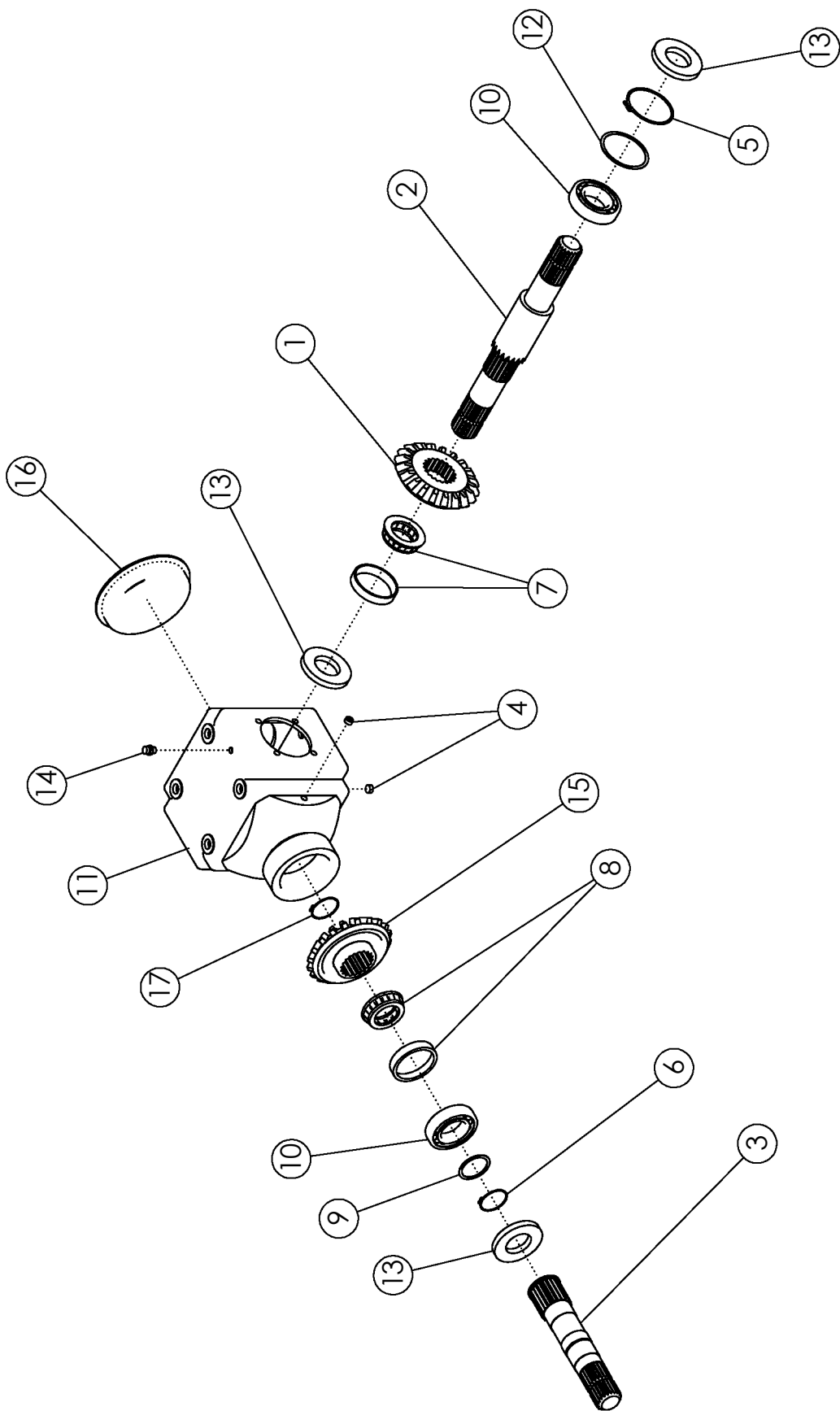
DECALS

ITEM	PART NO.	DESCRIPTION	QTY
1	52341	DECAL-WARNING SHIELDS	1
2	52329	DECAL-DANGER MOVING PART	1
3	65331	DECAL-YELLOW RETROFLECTIVE	2
4	69399	DECAL-AMITY LOGO 12X24	2
5	69400	DECAL-3300 6X12 (6R22,4R30)	2
	69402	DECAL-3500 6X12 (8R22, 6R30)	
	69403	DECAL-3600 6X12 (9R)	
	69404	DECAL-3700 6X12 (12R22, 8R30)	
	305692	DECAL-3750 6X12	
6	69406	DECAL-LH STRIPE	1
7	69408	DECAL-RH STRIPE	1
8	69405	DECAL-LH CURVE	1
9	69407	DECAL-RH CURVE	1
10	302231	DECAL - HYD LABEL: 00 SERIES HOSE COLORS	1



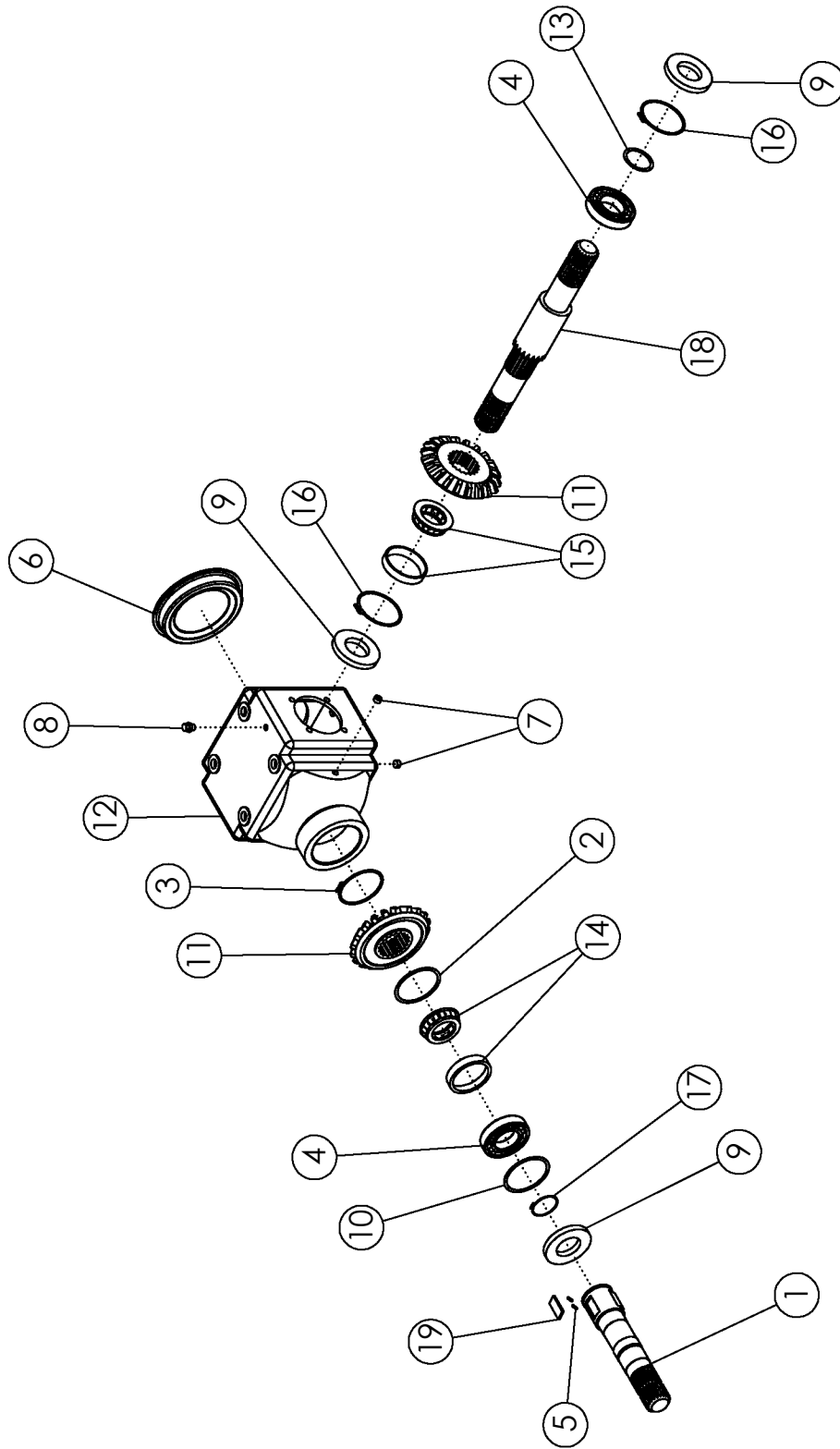
GEARBOX - L TYPE

ITEM	PART NO.	DESCRIPTION	QTY
--	52391	GEARBOX 1.57:1 COMPLETE	
--	52392	GEARBOX 1:1 COMPLETE	
1	59965	HOUSING GEARBOX	1
2	54214	OIL SEAL	2
3	54207	SHAFT	1
4	54210	SNAP RING	2
5	54209	SNAP RING	1
6	54215	OIL PLUG	3
7	54212	BEARING-TAPERED ROLLER	1
8	54227	GEAR CROWN (1.57:1 GEARBOX)	1
9	54218	SPACER RING -- .012 PER M THICKNESS	AR
	54219	SPACER RING -- .016 PER M THICKNESS	
	54220	SPACER RING -- .024 PER M THICKNESS	
	54221	SPACER RING -- .032 PER M THICKNESS	
	54222	SPACER RING -- .040 PER M THICKNESS	
	64421	KIT-SPACER RING (INCLUDES SPACERS IN ITEM 9)	
10	54208	PLATE-COVER	1
11	54223	SPACER RING -- .012 PER M THICKNESS	AR
	54224	SPACER RING -- .016 PER M THICKNESS	
	54225	SPACER RING -- .024 PER M THICKNESS	
	54226	SPACER RING -- .032 PER M THICKNESS	
	59958	SPACER RING -- 1.00 PER M THICKNESS	
	64422	KIT-SPACER RING (INCLUDES SPACERS IN ITEM 11)	
12	54217	CLOSING CAP	1
13	54211	BEARING BALL	2
14	54228	GEAR-PINION (1.57:1 GEARBOX)	1
15	54204	OIL BREATHER VENT PLUG	1
16	54213	BEARING-TAPERED ROLLER	2
	59962	BEVEL GEAR SET (INCLUDES ITEMS 8 AND 14)	



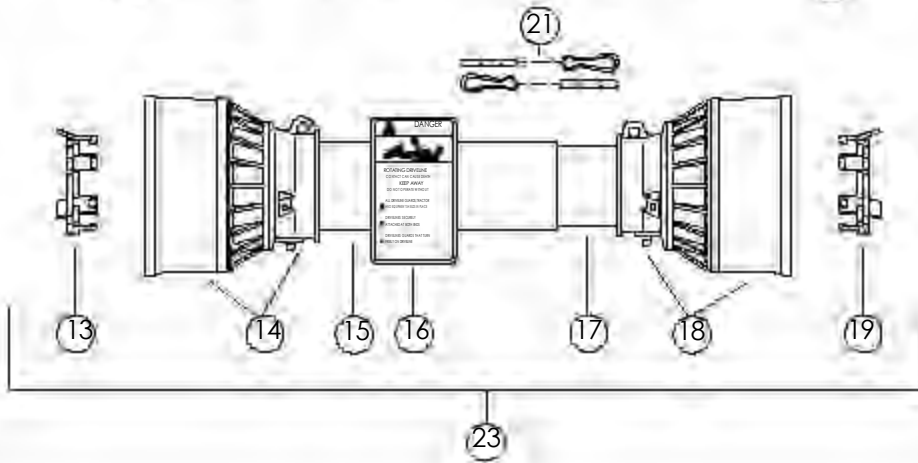
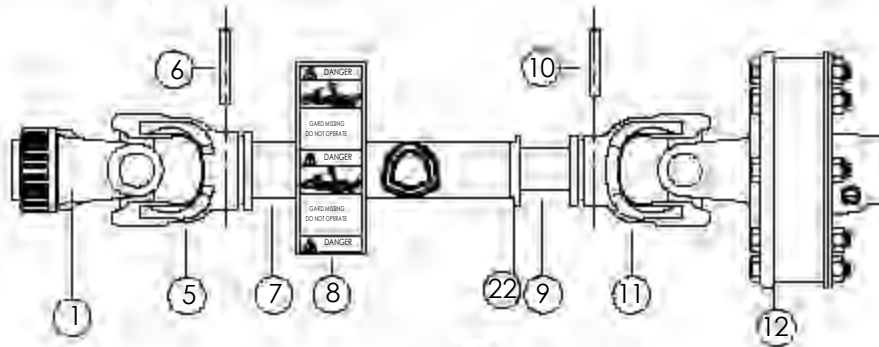
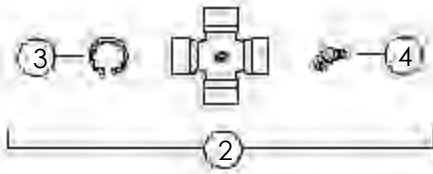
GEARBOX - T TYPE

ITEM	PART NO.	DESCRIPTION	QTY
--	52379	GEARBOX 1:1.57 COMPLETE With Steel Flails Only	
--	52393	GEARBOX 1.57:1 COMPLETE	
1	59964	GEAR SET	1
2	54230	THRU SHAFT	1
3	54231	OUTPUT SHAFT	1
4	54215	OIL PLUG	3
5	54210	SNAP RING	2
6	54209	SNAP RING	1
7	54212	BEARING TAPERED ROLLER	1
8	54213	BEARING TAPERED ROLLER	1
9	54218	SPACER RING -- .012 PER M THICKNESS	AR
	54219	SPACER RING -- .016 PER M THICKNESS	
	54220	SPACER RING -- .024 PER M THICKNESS	
	54221	SPACER RING -- .032 PER M THICKNESS	
	54222	SPACER RING -- .040 PER M THICKNESS	
	64421	KIT-SPACER RING (INCLUDES SPACERS IN ITEM 9)	
10	54211	BEARING BALL	2
11	59965	HOUSING GEARBOX	1
12	54223	SPACER RING -- .012 PER M THICKNESS	AR
	54224	SPACER RING -- .016 PER M THICKNESS	
	54225	SPACER RING -- .024 PER M THICKNESS	
	54226	SPACER RING -- .032 PER M THICKNESS	
	59958	SPACER RING -- 1.00 PER M THICKNESS	
	64422	KIT-SPACER RING (INCLUDES SPACERS IN ITEM 12)	
13	54214	OIL SEAL	3
14	54204	OIL BREATHER VENT PLUG	1
15	54227	CROWN (1.57:1 GEARBOX 52393)	1
	54229	CROWN (1:1.57 GEARBOX 52379)	
16	54208	PLATE-COVER	1
17	52521	SNAP RING	1
	59964	BEVEL GEAR SET (INCLUDES MATCHED ITEMS 1 AND 15)	



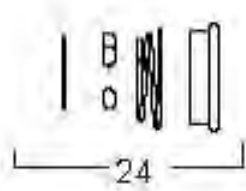
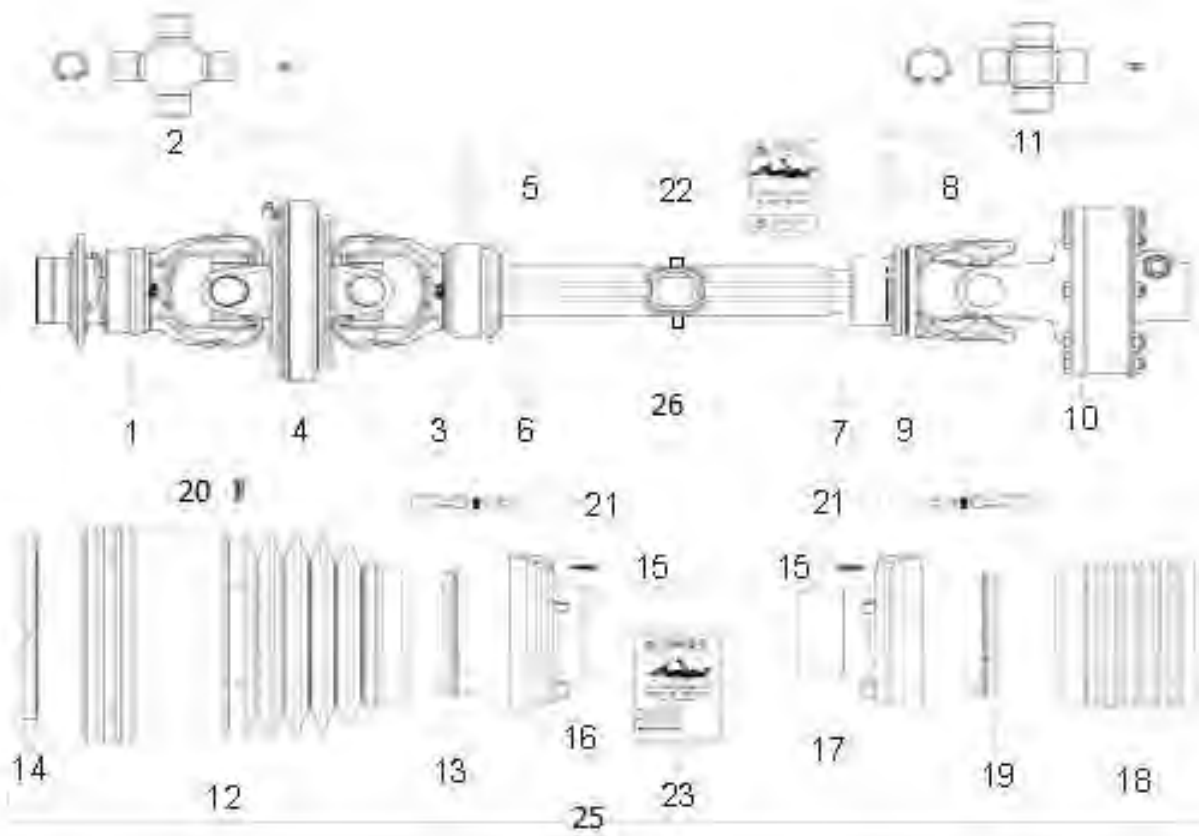
GEARBOX - T TYPE WITH OVERRUN

ITEM	PART NO.	DESCRIPTION	QTY
--	59189	GEARBOX 1:1 2-WAY WITH OVERRUN CLUTCH	1
1	59954	SHAFT-OUTPUT	1
2	59955	SPACER	1
3	59957	SNAP RING-CIRCLIP	1
4	54211	BEARING BALL	2
5	59960	SPRING-GEARBOX SHAFT	6
6	54208	PLATE-COVER	1
7	54215	OIL PLUG	2
8	54204	OIL BREATHER VENT PLUG	1
9	54214	OIL SEAL	3
10	54218	SPACER RING -- .012 PER M THICKNESS	AR
	54219	SPACER RING -- .016 PER M THICKNESS	
	54220	SPACER RING -- .024 PER M THICKNESS	
	54221	SPACER RING -- .032 PER M THICKNESS	
	54222	SPACER RING -- .040 PER M THICKNESS	
	64421	KIT-SPACER RING (INCLUDES SPACERS IN ITEM 10)	
11	59961	BEVELLED GEAR SET (2 MATCHED GEARS)	1
12	59953	HOUSING-GEARBOX	1
13	54223	SPACER RING -- .012 PER M THICKNESS	AR
	54224	SPACER RING -- .016 PER M THICKNESS	
	54225	SPACER RING -- .024 PER M THICKNESS	
	54226	SPACER RING -- .032 PER M THICKNESS	
	59958	SPACER RING -- 1.00 PER M THICKNESS	
	64422	KIT-SPACER RING (INCLUDES SPACERS IN ITEM 13)	
14	54213	BEARING TAPERED ROLLER	1
15	54212	BEARING TAPERED ROLLER	1
16	54210	SNAP RING	2
17	54209	SNAP RING	1
18	54230	THRU SHAFT	1
19	59956	PLATE-GEARBOX SHAFT	3



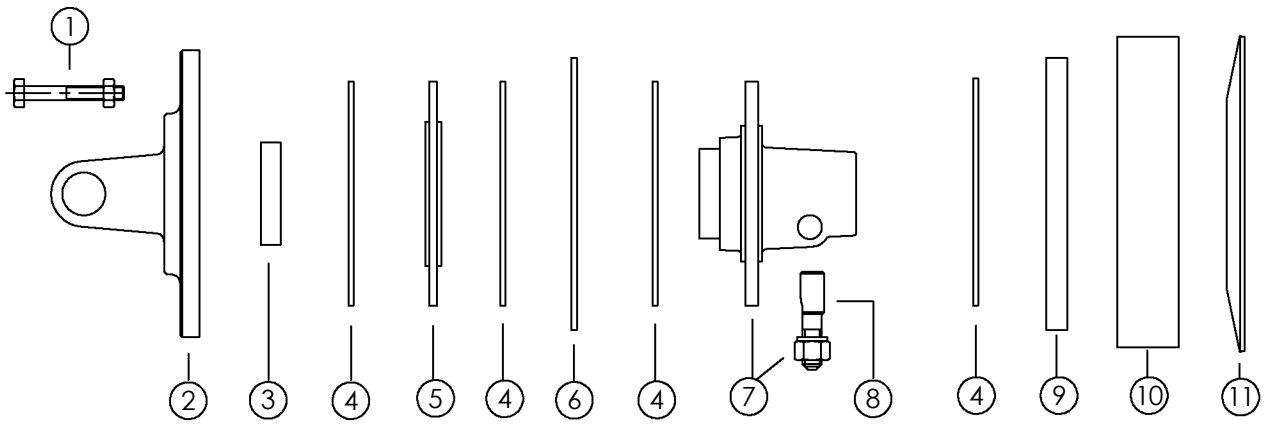
STANDARD PTO 1.375-21 #69679
1.75-20 #69680

ITEM	PART NO	DESCRIPTION	QTY
1	54198	YOKE-STD 1.375	1
	69866	YOKE-STD 1.75	
2	54235	CROSS KIT	2
3	55361	CIRCLIP	8
4	63440	GREASE NIPPLE	2
5	54242	YOKE-OUTER TUBE	1
6	55364	FLEXIBLE PIN	1
7	69867	TUBE OUTER	1
8	63293	DECAL-DRIVELINE	1
9	69868	TUBE INNER	1
10	55367	FLEXIBLE PIN	1
11	54234	YOKE INNER TUBE	1
12	305198	CLUTCH-TORQUE LIMITER	1
13	54238	BRG RING-OUTER SHIELD	1
14	54199	SHIELD CONE-OUTER	1
15	69869	OUTER SHIELD	1
16	63294	DECAL-DRIVELINE	1
17	69870	INNER SHIELD	1
18	55320	CONE SET-INNER SHIELD	1
19	54240	BRG RING-INNER SHIELD	1
20	69871	KIT-BALL COLLAR 1.375	1
	69872	KIT-BALL COLLAR 1.75	
21	69873	CHAIN-COMPLETE	2
22	69874	COLLAR-GREASE	1
23	69875	KIT-SHIELD COMPLETE W/CHAINS	1



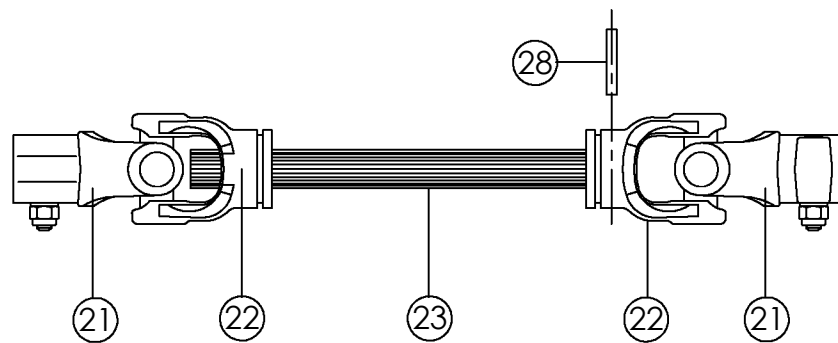
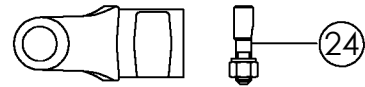
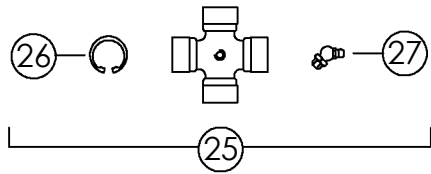
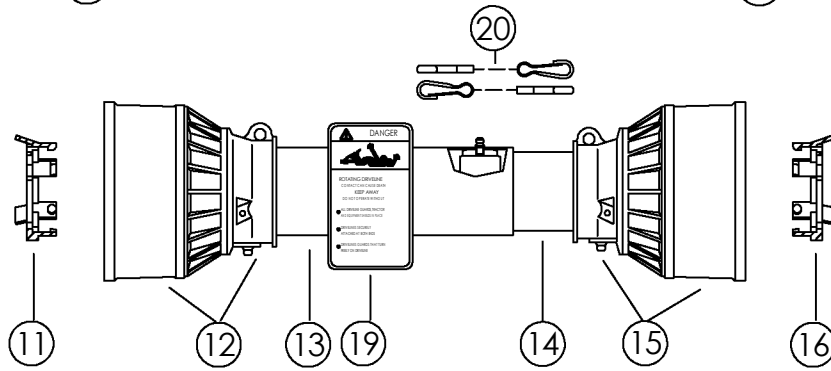
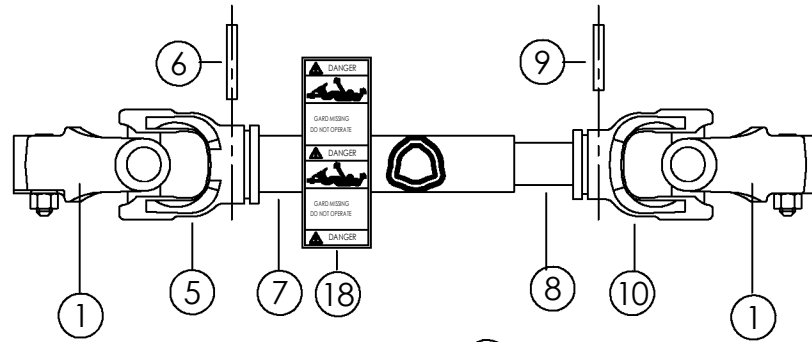
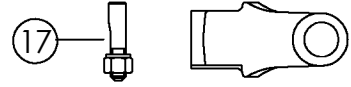
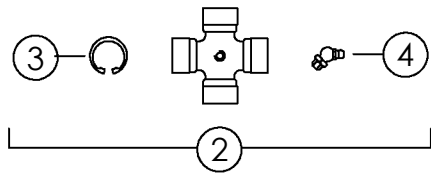
**PTO CV 1-3/8-21 #69681
& 1-3/4-20 #69682**

ITEM	PART NO.	DESCRIPTION	QTY
1	68758	YOKE-CV 1.375	1
	68734	YOKE-CV 1.750	
2	68735	CROSS-KIT	1
3	68736	YOKE-CV OUTER EXT TUBE	1
4	68737	CENTRAL BODY-CV JOINT	1
5	68738	PIN-ROLL	1
6	69684	TUBE-DRIVE OUTER (CV)	1
7	69685	TUBE-DRIVE INNER (CV)	1
8	68741	PIN-ROLL	1
9	68742	YOKE-CV INNER TUBE	1
10	305196	CLUTCH-TORQUE LIMITER (CV)	1
11	68744	CROSS-KIT	1
12	68745	CONE-SHIELD OUTER	1
13	68746	BEARING-SHIELD OUTER	1
14	68747	BEARING-SHIELD CONE	1
15	68748	SCREW-SELF TAPPING	6
16	68749	SHIELD-SAFETY TUBE OUTER	1
17	68750	SHIELD-SAFETY TUBE INNER	1
18	68751	CONE-SHIELD INNER	1
19	68752	BEARING-SHIELD INNER	1
20	69688	SCREW-SELF TAPPING FLANGE HEAD	6
21	69689	CHAIN-COMPLETE	2
22	63293	DECAL-DRIVELINE	1
23	63294	DECAL-DRIVELINE	1
24	69690	KIT-BALL COLLAR 1.375 (CV)	1
	68755	KIT-BALL COLLAR 1.750 (CV)	
25	68760	KIT-SHIELD COMPLETE W/CHAINS	1
26	69687	ZERK-GREASE: M6 X 1 SHORT	2



CLUTCH TORQUE LIMITER #305196(CV) & #305198(STD)

ITEM	PART NO.	DESCRIPTION	QTY
1	63300	SCREW	8
2	69693	YOKE-FLANGE (CV)	1
	69864	YOKE-FLANGE (STD)	
3	63295	BUSHING	1
4	69692	LINING	4
5	69858	PLATE-LINING	1
6	69859	PLATE-INNER	1
7	69860	HUB	1
8	68782	KIT-TAPER PIN	1
9	69861	PLATE-THRUST	1
10	69862	SPACER	1
11	305197	SPRING	1

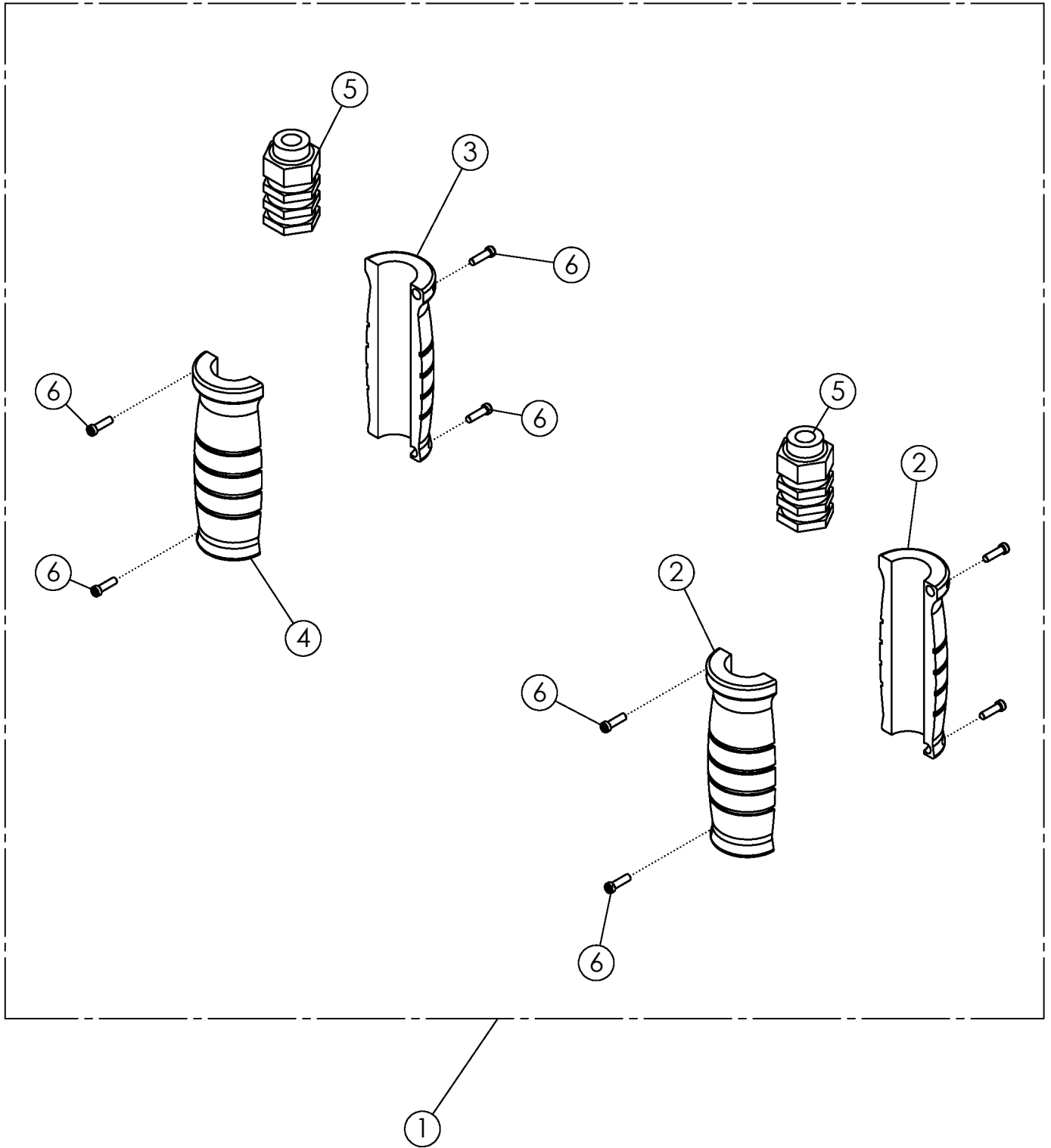


FRONT DRIVELINE #52399 & #68604

ITEM	PART NO.	DESCRIPTION	52399	68604
1	68731	TRACTOR YOKE	2	2
2	54235	CROSS KIT	2	2
3	55361	SNAP RING	8	8
4	63440	GREASE ZERK	2	2
5	54242	OUTER TUBE YOKE	1	1
6	55364	ROLL PIN	1	1
7	63595	OUTER DRIVE TUBE	1	-
	63602	OUTER DRIVE TUBE	-	1
8	63596	INNER DRIVE TUBE	1	-
	63603	INNER DRIVE TUBE	-	1
9	55367	ROLL PIN	1	1
10	54234	INNER TUBE YOKE	1	1
11	54238	BEARING RING - OUTER SHIELD	1	1
12	55374	OUTER SHIELD CONE	1	1
13	63597	OUTER SHIELD TUBE	1	-
	63604	OUTER SHIELD TUBE	-	1
14	63598	INNER SHIELD TUBE	1	-
	63605	INNER SHIELD TUBE	-	1
15	55320	INNER SHIELD CONE	1	1
16	54240	BEARING RING - INNER SHIELD	1	1
17	63594	TAPER PIN KIT	2	2
18	63293	DECAL-DRIVELINE	1	1
19	63294	DECAL-DRIVELINE	1	1
20	69873	CHAIN-COMPLETE (STD)	2	2

SIDE DRIVELINE #52397

ITEM	PART NO.	DESCRIPTION		QTY
21	68731	TRACTOR YOKE		2
22	54244	YOKE		2
23	63593	SHAFT-SPLINED		1
24	63594	TAPER PIN KIT		2
25	54235	CROSS KIT		2
26	55361	SNAP RING		8
27	63440	GREASE ZERK		2
28	63472	PIN-ROLL		1

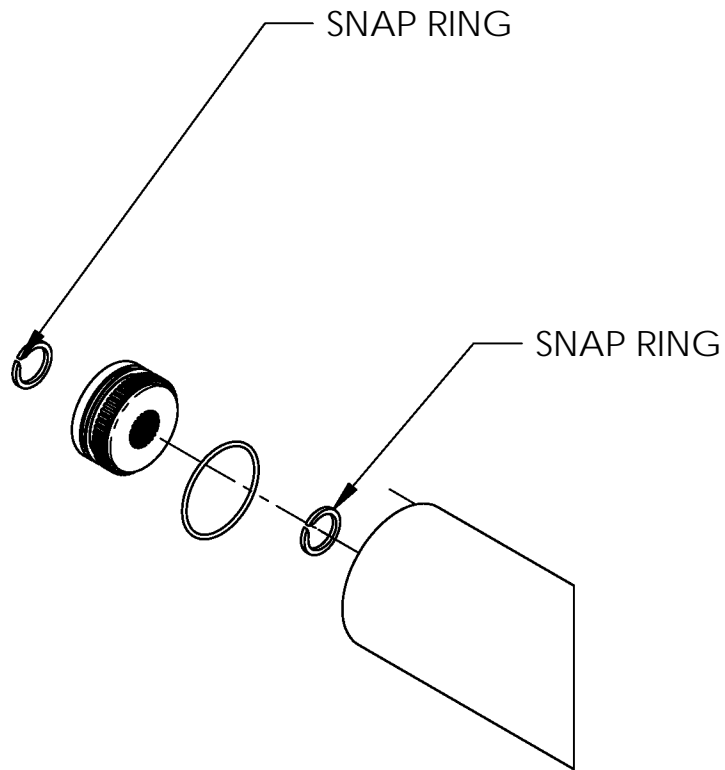
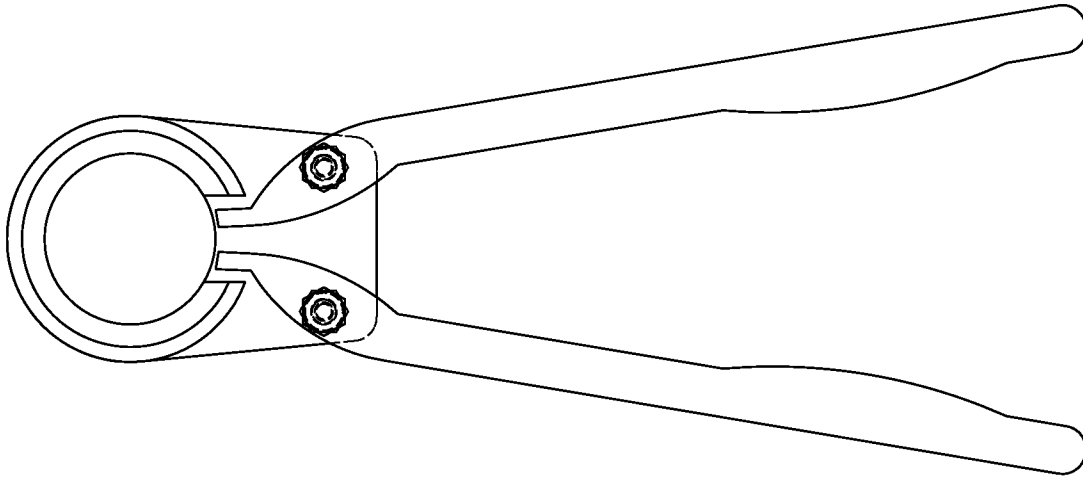


HYDRAULIC LABEL ASSY

ITEM	PART NO.	DESCRIPTION	QTY
1	301920*	HYD LABEL: .50 ORANGE/GRAY SET	1
	301902*	HYD LABEL: .50 BLUE/GRAY SET	
	301917*	HYD LABEL: .50 YELLOW/GRAY SET	
	301914*	HYD LABEL: .50 GREEN/GRAY SET	
	301911*	HYD LABEL: .50 BLACK/GRAY SET	
	301908*	HYD LABEL: .50 RED/GRAY SET	
	302230*	HYD LABEL: .50 RED/GREEN SET	
	302226*	HYD LABEL: .50 BLACK/ORANGE SET	
	302227*	HYD LABEL: .50 BLUE/YELLOW SET	
	301923*	HYD LABEL: .75 GREEN/GRAY SET	
	301928*	HYD LABEL: .75 YELLOW/GRAY SET	
2	301915	HYD LABEL: .50 GREEN HALF EXTEND	2
	301903	HYD LABEL: .50 BLUE HALF EXTEND	
	301909	HYD LABEL: .50 RED HALF EXTEND	
	301918	HYD LABEL: .50 YELLOW HALF EXTEND	
	301921	HYD LABEL: .50 ORANGE HALF EXTEND	
	301912	HYD LABEL: .50 BLACK HALF EXTEND	
	301921	HYD LABEL: .50 ORANGE HALF EXTEND	
	301925	HYD LABEL: .75 GREEN HALF EXTEND	
	301929	HYD LABEL: .75 YELLOW HALF EXTEND	
	302304	HYD LABEL: .75 RED HALF EXTEND	
3	301916	HYD LABEL: .50 GREEN HALF RETRACT	1
	301904	HYD LABEL: .50 BLUE HALF RETRACT	
	301910	HYD LABEL: .50 RED HALF RETRACT	
	301919	HYD LABEL: .50 YELLOW HALF RETRACT	
	301922	HYD LABEL: .50 ORANGE HALF RETRACT	
	301913	HYD LABEL: .50 BLACK HALF RETRACT	
	301922	HYD LABEL: .50 ORANGE HALF RETRACT	
	301926	HYD LABEL: .75 GREEN HALF RETRACT	
	301930	HYD LABEL: .75 YELLOW HALF RETRACT	
	302305	HYD LABEL: .75 RED HALF RETRACT	
4	301905	HYD LABEL: .50 GRAY HALF RETRACT	1
	301927	HYD LABEL: .75 GRAY HALF RETRACT	
5	301906	HYD LABEL: .50 CORE M & F O-RING	2
	301924	HYD LABEL: .75 CORE M & F O-RING	
6	301907	HYD LABEL: SET SCREW	8

* COMES WITH ITEMS 2 THRU 6

69055 SNAP RING PLIERS



SHAFT REMOVED FOR CLARITY