

PARTS MANUAL

2008

2300 HARVESTER SCRUB

6 ROW 22

4 ROW 30

Amity
TECHNOLOGY



2800 7th Avenue North
Fargo, ND 58102

Phone: (701) 232-4199

Fax: (701) 234-1716

www.amitytech.com

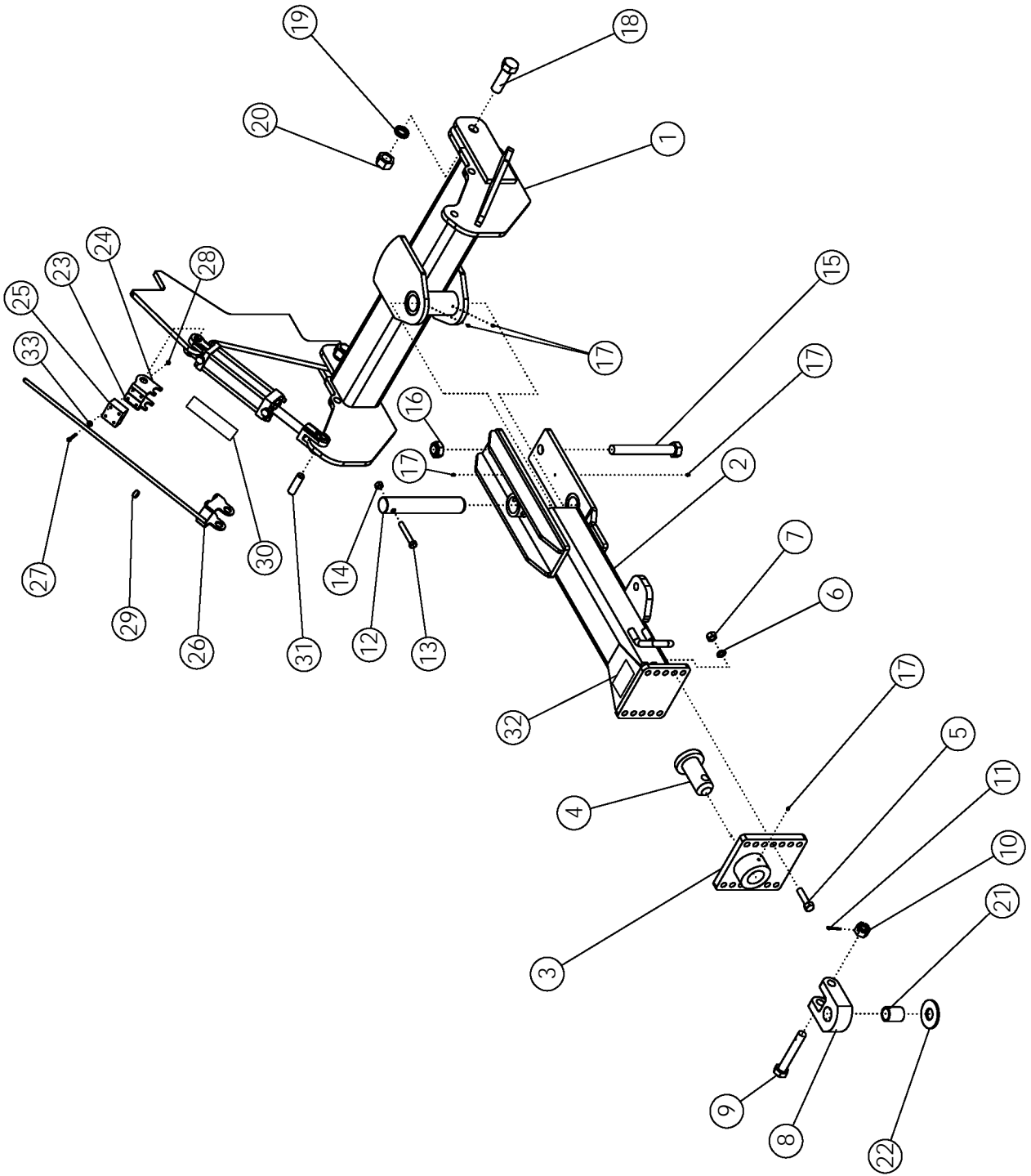


TABLE OF CONTENTS

HITCH ASSEMBLY.....	1-2
LIFTER STRUT.....	3-10
ROW FINDER #51486.....	11-14
GUARDS & SHIELDS.....	15-18
DOOR ASSEMBLY.....	19-20
APRON SHAFT.....	21-24
PADDLE SHAFT.....	25-26
CLEANING ROLLS.....	27-30
CLEANING ROLL MOUNTING PACKAGE.....	31-32
MAIN DRIVE.....	33-36
MAIN DRIVE: ONBOARD OPTION.....	37-38
CLEANING ROLL DRIVE.....	39-40
APRON/PADDLE SHAFT DRIVE.....	41-42
TANK.....	43-44
ELEVATOR AND BOOM ASSEMBLY.....	45-48
BOOM EXTENSION 50MM/56MM (OPTIONAL).....	49-50
REAR SCRUB.....	51-54
REAR SCRUB: BELTED CHAIN.....	55-60
REAR SCRUB: HOOK CHAIN.....	61-62
REAR SCRUB DRIVE: GEARBOX.....	63-64
REAR SCRUB DRIVE: SINGLE MOTOR.....	65-68
REAR SCRUB DRIVE: DUAL MOTOR.....	69-70
STANDARD REAR STRUTS.....	71-74
STEERABLE REAR STRUTS.....	75-78
ROW FINDER & HITCH HYDRAULICS.....	79-80
VALVE GROUP: DUAL MOTOR SCRUB.....	81-82
TANK HYDRAULICS.....	83-84
HYDRAULIC TANK.....	85-86
LIGHT KIT.....	87-88
REVERSE #4 CLEANING ROLL #62107 (OPTIONAL).....	89-90
HARVESTER STAND #63357 (OPTIONAL).....	91-92
PTO DRIVELINE 1.75" – 20 SPLINE #51481.....	93-94
PTO DRIVELINE 1.38" – 21 SPLINE #51480.....	95-96
DRIVELINE COMPONENTS.....	97-98
GEARBOX (1.81:1) #63846.....	99-100
GEARBOX (1.81:1): ONBOARD OPTION #62396.....	101-102
GEARBOX (1.35:1) #63847.....	103-104
GEARBOX (1:1.35) #63848.....	105-106
MOTOR (13.9 IN ³) #57687.....	107-108

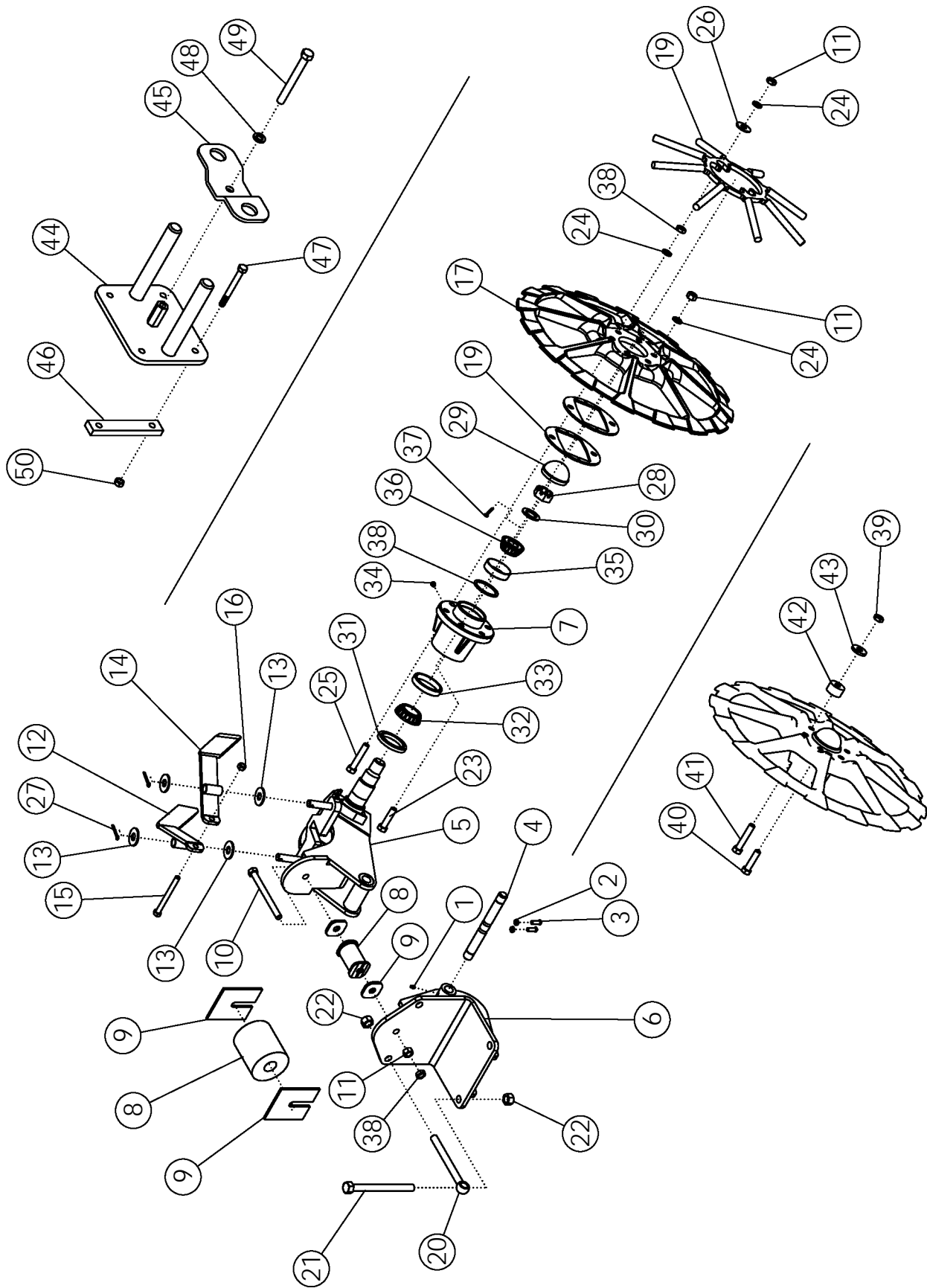


MOTOR (32.3 IN ³) #57686.....	109-110
HYDRAULIC PUMP #62153.....	111-112
HYDRAULIC CYLINDER (2.5 X 16") #58889.....	113-114
HYDRAULIC CYLINDER (3 X 8") #58890.....	115-116
HYDRAULIC CYLINDER (4 X 8") #58991.....	117-118
HYDRAULIC CYLINDER (4 X 10") #62082.....	119-120
FLOW CONTROL VALVE #58985.....	121-122
SELECTOR VALVE #58470.....	123-124
ROW FINDER VALVE #62350.....	125-126
SPROCKET #54824.....	127-128
BELT TIGHTENER #56422.....	127-128
SLIP CLUTCH (IN-LINE) #57926.....	129-130
SLIP CLUTCH/SPROCKET #57993.....	129-130
SLIP CLUTCH/SPROCKET #58335.....	129-130
IDLER PULLEY #56406.....	131-132
SPROCKET IDLER #56851.....	131-132
ROLLERS.....	133-134
SCRUB DRIVELINE ASSEMBLY.....	135
BELTED CHAIN LAP JOINT CONNECTION.....	136
REPAIR KIT - BELTED CHAIN #59180.....	137
BELTED CHAIN RIVET CUTTER.....	138



HITCH ASSEMBLY

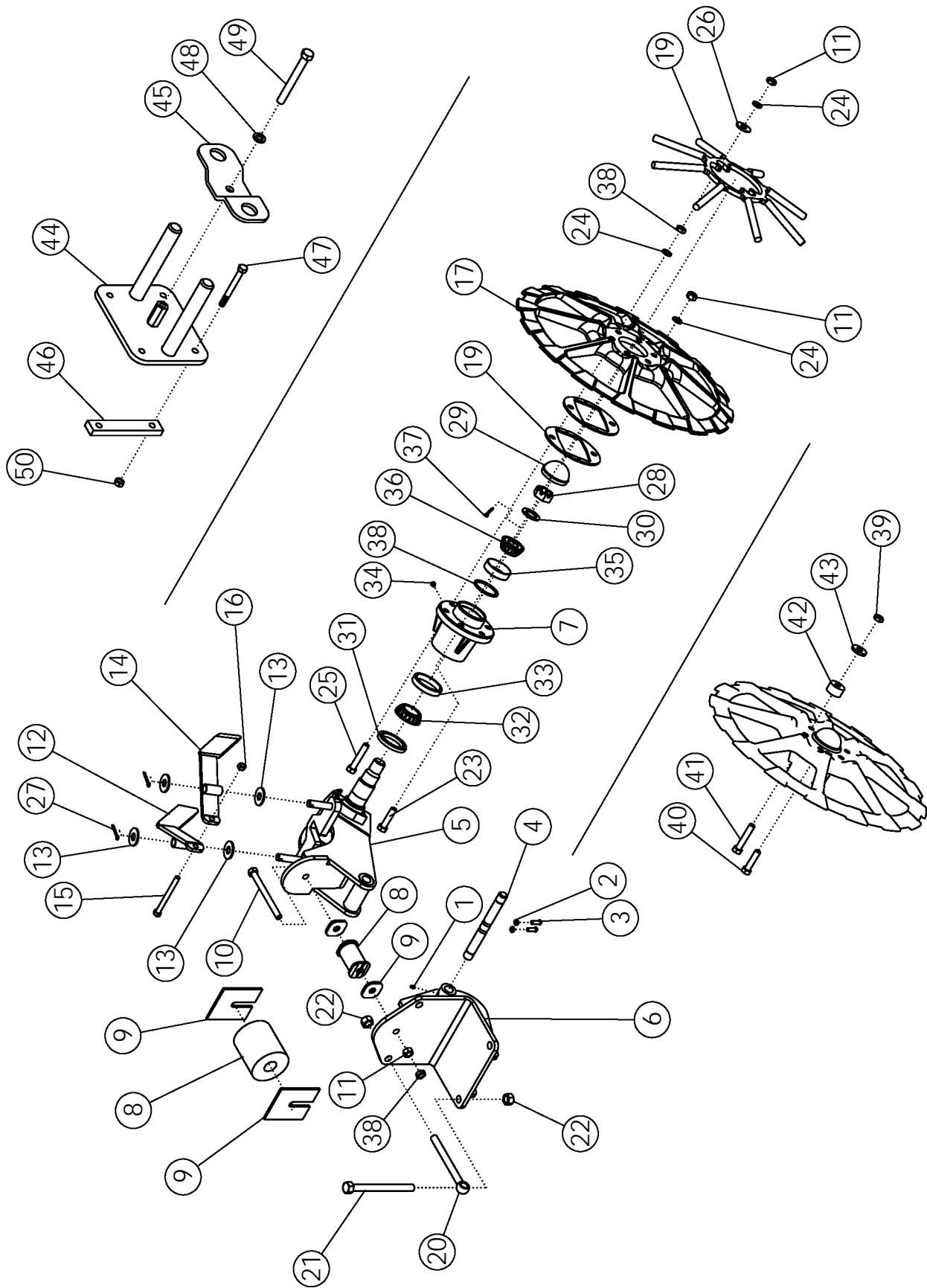
ITEM	PART NO.	DESCRIPTION	QTY
1	50341	WLDMT - STD HITCH PIVOT	1
2	57928	WLDMT - DRAWPOLE	1
3	57930	WLDMT-HITCH PLATE	1
4	62101	WLDMT-PIN	1
5	1012059	BOLT-HEX: .75 X 3.00 NC GR5 ZP	6
6	1012061	WASHER-LOCK: .75 ZP	6
7	1011620	NUT-HEX: .75 NC	6
8	64476	PLATE-PULL HITCH	1
9	62477	BOLT-HITCH DRILLED	1
10	62088	NUT-SLOTTED: 1.13 NC GR5 ZP	1
11	1013473	PIN-COTTER: .19 X 2.00 NP	1
12	50678	PIN	1
13	1015117	BOLT-HEX: .63 X 4.00 NC GR8 ZP	1
14	1016595	NUT-TOPLOCK: .63 NC GR5 ZP	1
15	1030756	BOLT-HEX: 1.25 X 10.50 NC GR5 ZP	1
16	1030759	NUT-TOPLOCK: 1.25 NC ZP	1
17	1011748	ZERK - GREASE	5
18	1030757	BOLT-HEX: 1.38 X 4.25 NC GR5 ZP	2
19	1030760	WASHER-LOCK: 1.38 ZP	2
20	1030758	NUT-HEX: 1.38 NC ZP	2
21	64614	TUBE-SPACER 2.00 X 1.63	1
22	58925	HARDENED WASHER	1
	68645	WASHER-FLAT: 2.00 ZP GR8	
23	63995	TOP BRACKET RH	1
24	63996	TOP BRACKET LH	1
25	63383	POLY GUIDE BLOCK	1
26	63999	WLDMT - BOTTOM_BRACKET	1
27	1016211	BOLT-HEX: .25 X 2.00 NC GR5	4
28	1030946	NUT-TOPLOCK: .25 NC GR5 ZP	4
29	63359	SET COLLAR .56	1
30	63405	DECAL-DEPTH GAUGE	1
31	63406	PIN-CLEVIS: 1.00 X 4.00 ZP	2
32	52448	DECAL-CAUTION	1
33	1020416	WASHER-FLAT: .25 ZP	4
34	58090	CHAIN-SAFETY 20200# (NOT SHOWN)	1



LIFTER STRUT

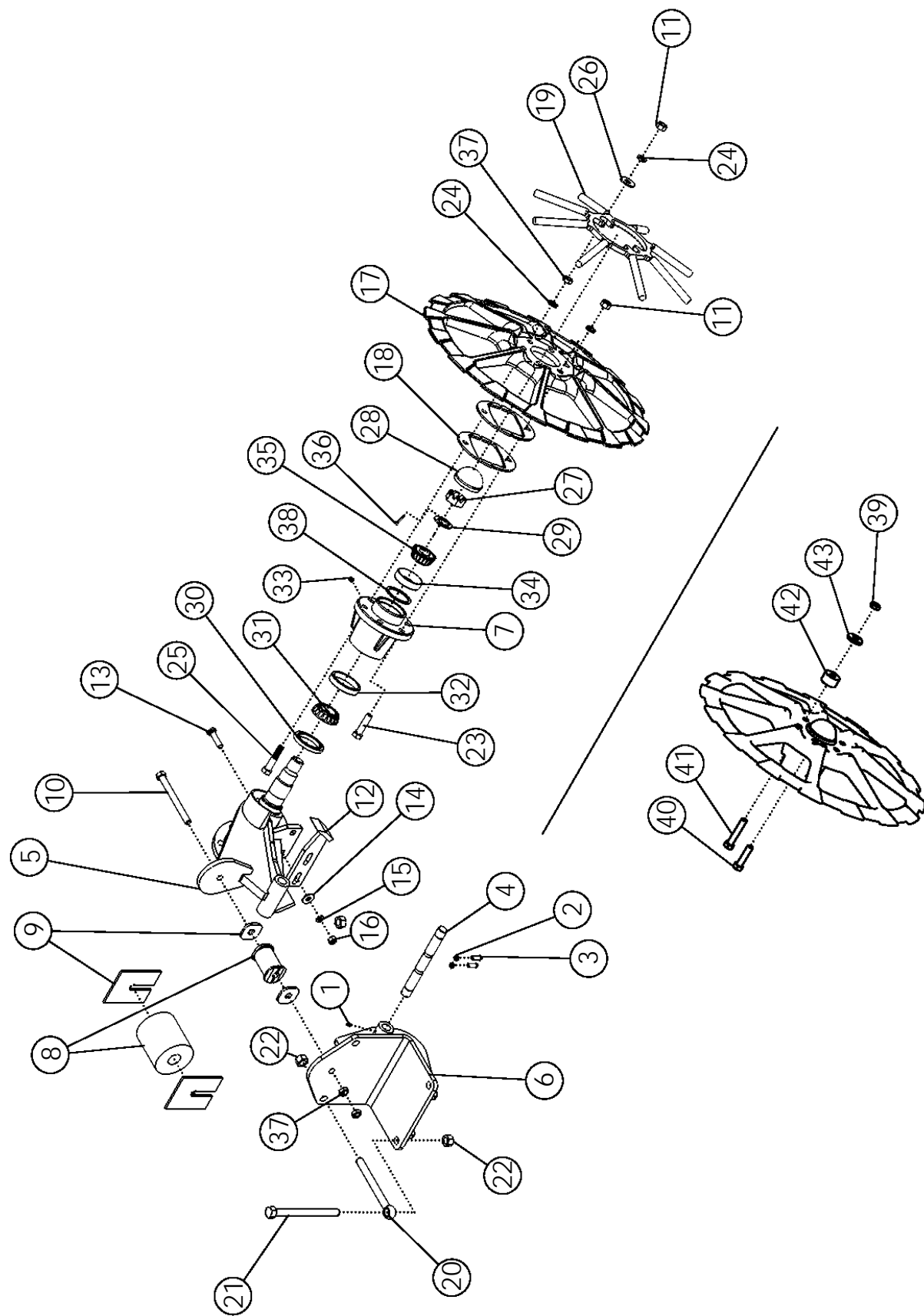
ITEM	PART NO.	DESCRIPTION	QTY
1	1011748	ZERK - GREASE: .25 UNF	2
2	1013519	NUT-JAM: .38 NC GR2 ZP	2
3	50813	SCREW-SET: SQ HD .38 X 1.00 ZP	2
4	50397	SHAFT-STRUT	1
5	50142	STRUT-SPINDLE ASSY-STD	1
6	50146	WLDMT-STRUT BRACKET	1
7	63655	HUB-MACHINED	2
8	50134	WLDMT-SPACER	1
	51542	BUMPER-RUBBER	1
9	50137	WASHER	2
	50139	PLATE ZP	2
10	1030761	BOLT-HEX: .63 X 7.00 NC GR 8 ZP	1
11	1011578	NUT-HEX: .63 NC GR5 ZP	13
12	50715	WLDMT-SCRAPER RH	1
13	1030702	WASHER-FLAT: .75 ZP	4
14	50716	WLDMT-SCRAPER LH	1
15	1016660	BOLT-HEX: .50 X 5.50 NC GR5 ZP	1
16	1027461	NUT-TOPLOCK: .50 NC GR5 ZP	1
17	53867	LIFTER WHEEL MACHINED	2
	53853	LIFTER WHEEL HARD	
18	50747	SPACER F.C.	AR
19	63880	WLDMT-WHEEL FILLER (OPTIONAL)	2
20	64135	BOLT-EYE: .75 X 8.00 ZP	2
21	64136	BOLT-HEX: .75 X 8.50 NC GR5 ZP	2
22	1017000	NUT-TOPLOCK: .75 NC GR5 ZP	4
23	1013023	BOLT-HEX: .63 X 2.50 NC GR5 ZP	8
24	1011813	WASHER-LOCK: .63 ZP	16
25	65825	BOLT-HEX: .63 X 3.25 NC GR5 ZP	4
26	1013024	WASHER-FLAT: .63 ZP	4
27	1013473	PIN-COTTER: .19 X 2.00 NP	2
28	1016367	NUT-SPINDLE: 1.38 NF NP	2
29	63624	HUB CAP ROUNDED	2
30	1030765	BUSHING-MACHINED: 1.38 NR 10 GA	2
31	53632	SEAL	2
32	53634	CONE-BEARING INNER	2
33	53636	CUP-BEARING INNER	2
34	1030766	ZERK - GREASE .13 NPT STRAIGHT	2
35	53635	CUP-BEARING OUTER	2
36	53633	CONE-BEARING OUTER	2
37	64012	PIN-COTTER: .19 X 3.00 NP	2

CONTINUED



LIFTER STRUT (CONTINUED)

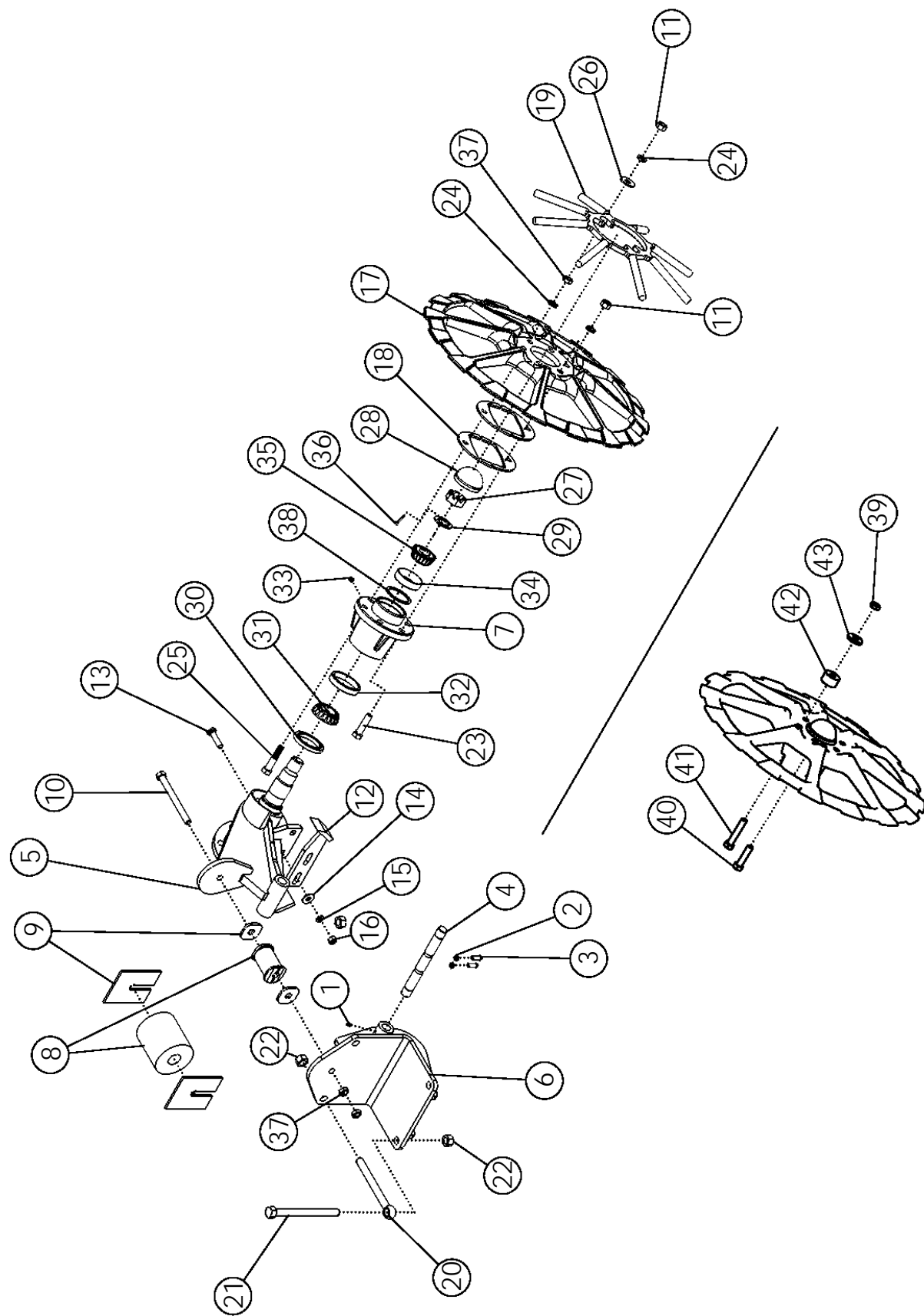
ITEM	PART NO.	DESCRIPTION	QTY	
38	64674	RACE-SPACER (.120)	AR	
OPTIONAL URETHANE BUSHING				
39	1016595	NUT-TOPLOCK: .63 GR5 ZP	12	
40	1032273	BOLT-HEX: .63 X 3.50 NC GR5 ZP	8	
41	1013935	BOLT-HEX: .63 X 4.50 NC GR5 ZP	4	
42	51705	BUSHING	12	
43	50822	WASHER-FLAT: .63 GR8 ZP	12	
OPTIONAL WHEEL FILLER BRACKET			6-8ROW	12 ROW
44	64658	WLDMT-WHEEL FILLER BRACKET	2	3
45	64659	PLATE-RETAINER	2	3
46	63372	BAR-BACKING	4	6
47	58176	BOLT-HEX: .38 X 3.50 NC GR5 ZP	8	12
48	1011581	WASHER-LOCK: .50 ZP	2	3
49	1013682	BOLT-HEX: .50 X 4.50 NC GR5 ZP	2	3
50	1016999	NUT-TOPLOCK: .38 NC GR5 ZP	8	12



LIFTER STRUT - BOTTOM SCRAPER OPTION

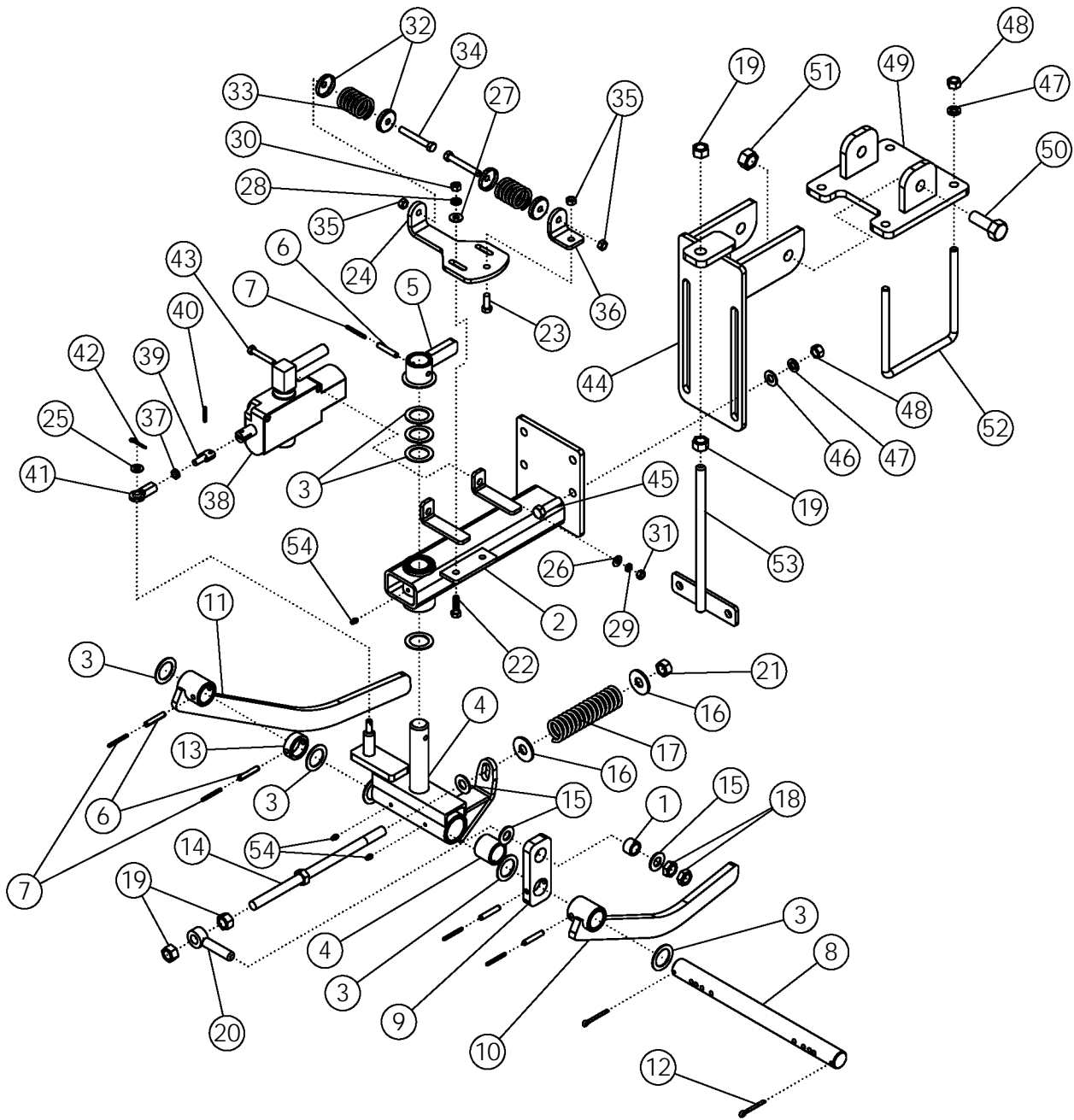
ITEM	PART NO.	DESCRIPTION	QTY
1	1011748	ZERK - GREASE: .25 UNF	2
2	1013519	NUT-JAM: .38 NC GR2 ZP	2
3	50813	SCREW-SET: SQ HD .38 X 1.00 ZP	2
4	64376	SHAFT-STRUT	1
5	68095	WLDMT-SP LIFTER STRUT STD	1
6	50146	WLDMT-STRUT BRACKET	1
7	63655	HUB-MACHINED	2
8	50134	WLDMT-SPACER	1
	51542	BUMPER-RUBBER	1
9	50137	WASHER	2
	50139	PLATE ZP	2
10	1030761	BOLT-HEX: .63 X 7.00 NC GR 8 ZP	1
11	1011578	NUT-HEX: .63 NC GR5 ZP	12
12	64369	WLDMT-SCRAPER	2
13	64685	BOLT-CRG: .50 X 2.25 NC GR5 ZP	2
14	1014443	WASHER-FLAT: .50 ZP	2
15	1011581	WASHER-LOCK: .50 ZP	2
16	1011577	NUT-HEX: .50 NC GR5 ZP	2
17	53867	LIFTER WHEEL MACHINED	2
	53853	LIFTER WHEEL HARD	
18	50747	SPACER	AR
19	63880	WLDMT-WHEEL FILLER (OPTIONAL)	2
20	64135	BOLT-EYE: .75 X 8.00 ZP	2
21	64136	BOLT-HEX: .75 X 8.50 NC GR5 ZP	2
22	1017000	NUT-TOPLOCK: .75 NC GR5 ZP	4
23	1013023	BOLT-HEX: .63 X 2.50 NC GR5 ZP	8
24	1011813	WASHER-LOCK: .63 ZP	16
25	65825	BOLT-HEX: .63 X 3.25 NC GR5 ZP	4
26	1013024	WASHER-FLAT: .63 ZP	4
27	1016367	NUT-SPINDLE: 1.38 NF NP	2
28	63624	HUB CAP ROUNDED	2
29	1030765	BUSHING-MACHINED: 1.38 NR 10 GA	2
30	53632	SEAL	2
31	53634	CONE-BEARING INNER	2
32	53636	CUP-BEARING INNER	2
33	1030766	ZERK - GREASE .13 NPT STRAIGHT	2
34	53635	CUP-BEARING OUTER	2
35	53633	CONE-BEARING OUTER	2
36	64012	PIN-COTTER: .19 X 3.00 NP	2
37	1026259	NUT-JAM: .63 NC ZP	5
38	64674	RACE-SPACER (.120)	AR

CONTINUED



LIFTER STRUT - BOTTOM SCRAPER (CONTINUED)

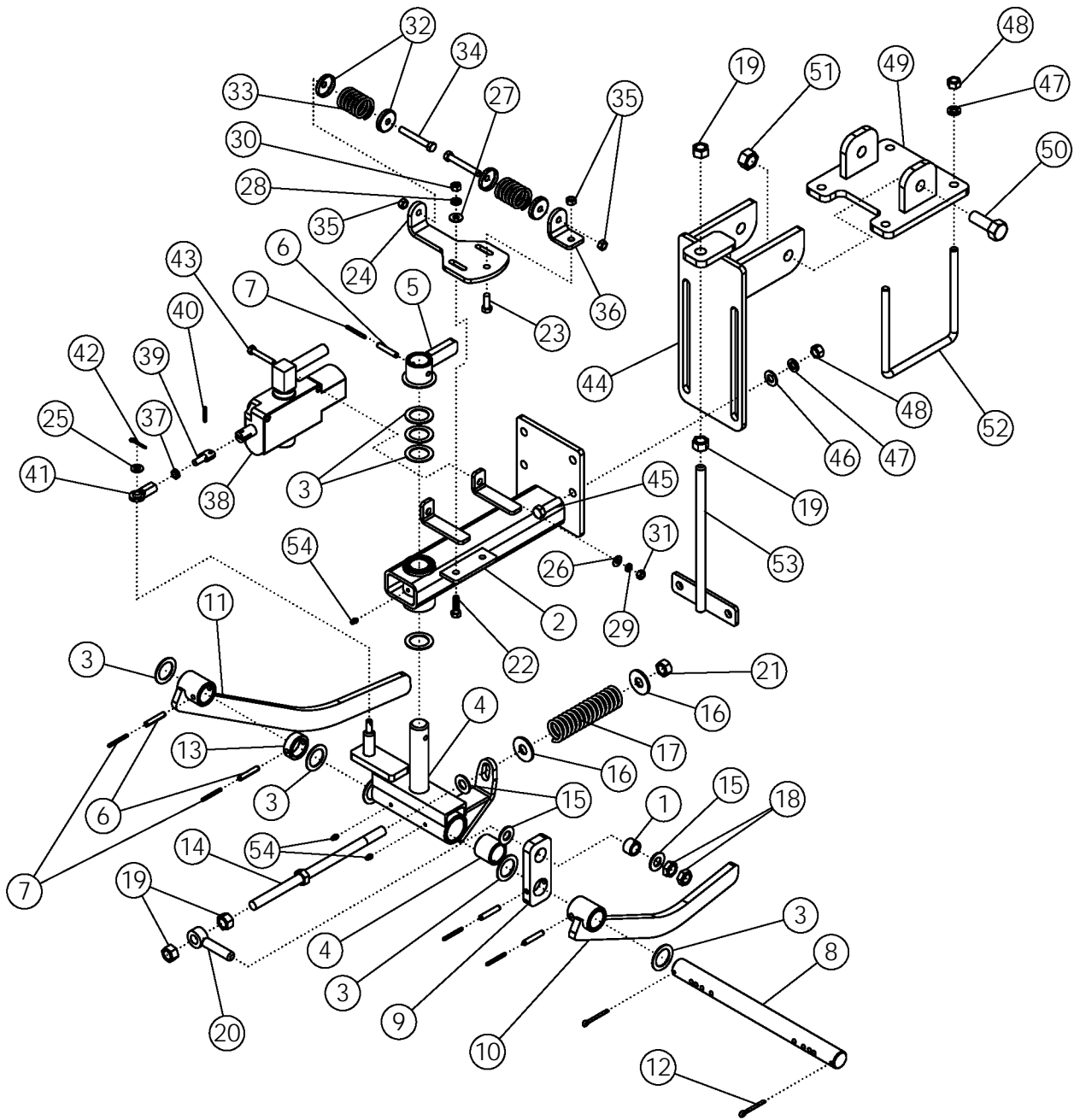
ITEM	PART NO.	DESCRIPTION	QTY
<hr/>			
OPTIONAL URETHANE BUSHING			
<hr/>			
39	1016595	NUT-TOPLOCK: .63 GR5 ZP	12
40	1032273	BOLT-HEX: .63 X 3.50 NC GR5 ZP	8
41	1013935	BOLT-HEX: .63 X 4.50 NC GR5 ZP	4
42	51705	BUSHING	12
43	50822	WASHER-FLAT: .63 GR8 ZP	12



HYDRAULIC ROW FINDER #51486

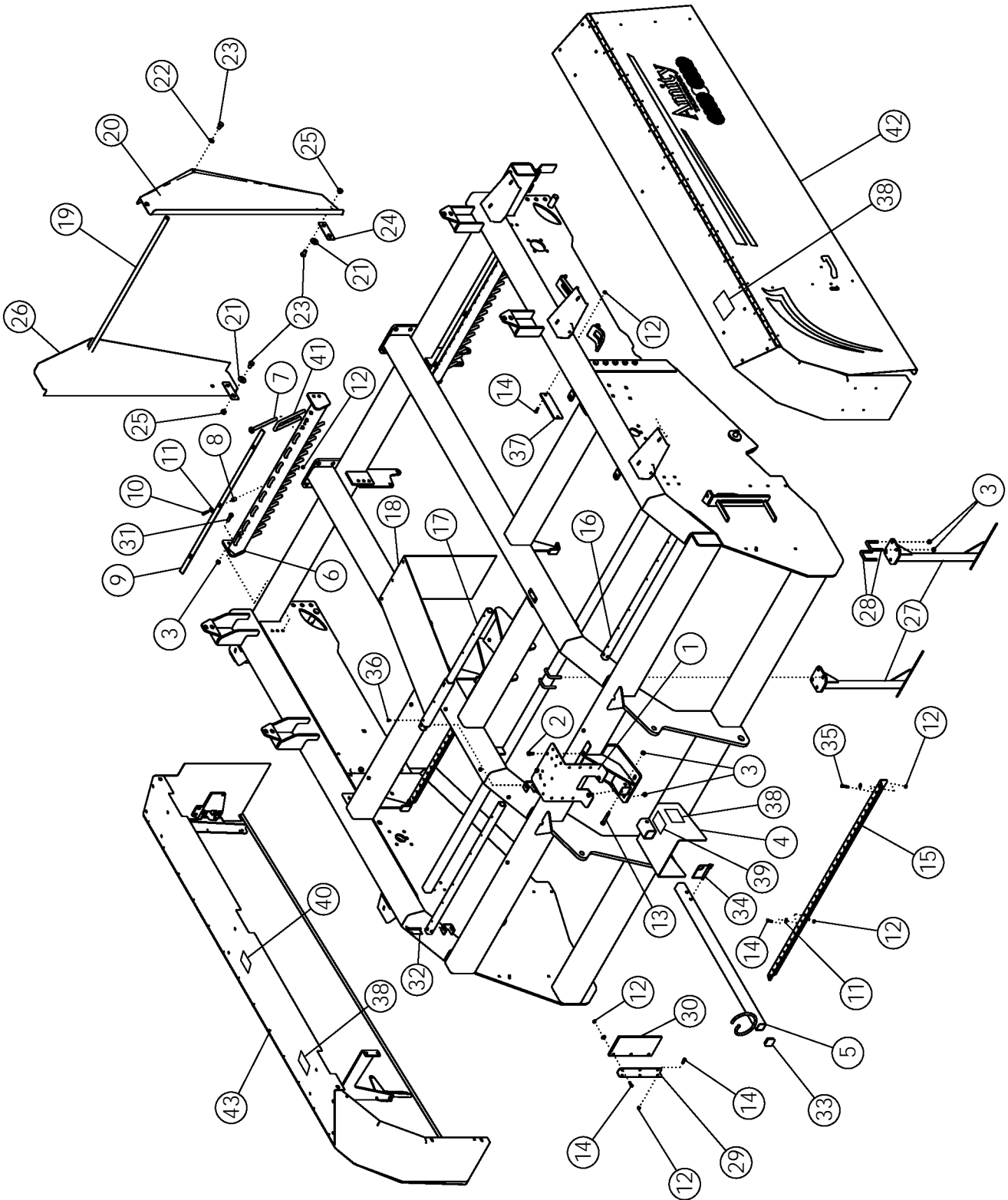
ITEM	PART NO.	DESCRIPTION	QTY
1	52567	BUSHING-ZP	1
2	62520	ASSY-MAIN FRAME	1
3	55206	BUSHING-MACH: 1.25 NR 14GA	9
4	51139	ASSY - SWIVEL	1
5	51130	WLDMT-FLIPPER	1
6	1030793	PIN-ROLL: .31 X 1.75 ZP	5
7	1030798	PIN-ROLL: .31 X 1.75 ZP	5
8	51690	SHAFT ZP	1
9	52566	TENSIONER ARM	1
10	51131	SENSOR ARM-L.H.	1
11	52564	SENSOR ARM-R.H.	1
12	1030797	PIN-COTTER: .19 X 1.75 NP	2
13	51137	COLLAR	1
14	52565	ADJUSTMENT BOLT	1
15	1013004	WASHER-FLAT: SAE .63 ZP	3
16	1013024	WASHER-FLAT: .63 ZP	2
17	51692	SPRING: .21 X 1.44 OD X 6.00 15 COILS	1
18	1026259	NUT-JAM: .63 NC GR2 ZP	2
19	1011578	NUT-HEX: .63 NC GR2 ZP	4
20	51691	EYEBOLT: .63 X 3.25 ZP	1
21	1016595	NUT-TOPLOCK: .63 NC GR5 ZP	1
22	1011601	BOLT-HEX: .38 X 1.25 NC GR5 ZP	2
23	1011600	BOLT-HEX: .38 X 1.00 NC GR5 ZP	1
24	51129	PLATE	1
25	1014608	WASHER-FLT: SAE .38 ZP	1
26	1020416	WASHER-FLAT: .25 ZP	2
27	1011583	WASHER-FLAT: .31 ZP	2
28	1011586	WASHER-LOCK: .38 ZP	2
29	1029115	WASHER-LOCK: .31 ZP	2
30	1011576	NUT-HEX: .38 NC GR2 ZP	2
31	1011575	NUT-HEX: .31 NC GR2 ZP	2
32	52582	SPRING CAP	4
33	51689	SPRING	2
34	1019828	BOLT-HEX: .38 X 2.75 NC GR5 ZP	2
35	1016999	NUT-TOPLOCK: .38 NC GR5 ZP	3
36	51128	SPRING PLATE	1
37	1030792	NUT-JAM: .38 NF GR2 ZP	1
38	62350	VALVE-ROWFINDER O/C	1
39	62540	PLATE STUD ZP	1
40	64157	PIN-ROLL: .19 X 1.125 ZP	1

CONTINUED



HYDRAULIC ROW FINDER #51486 (CONTINUED)

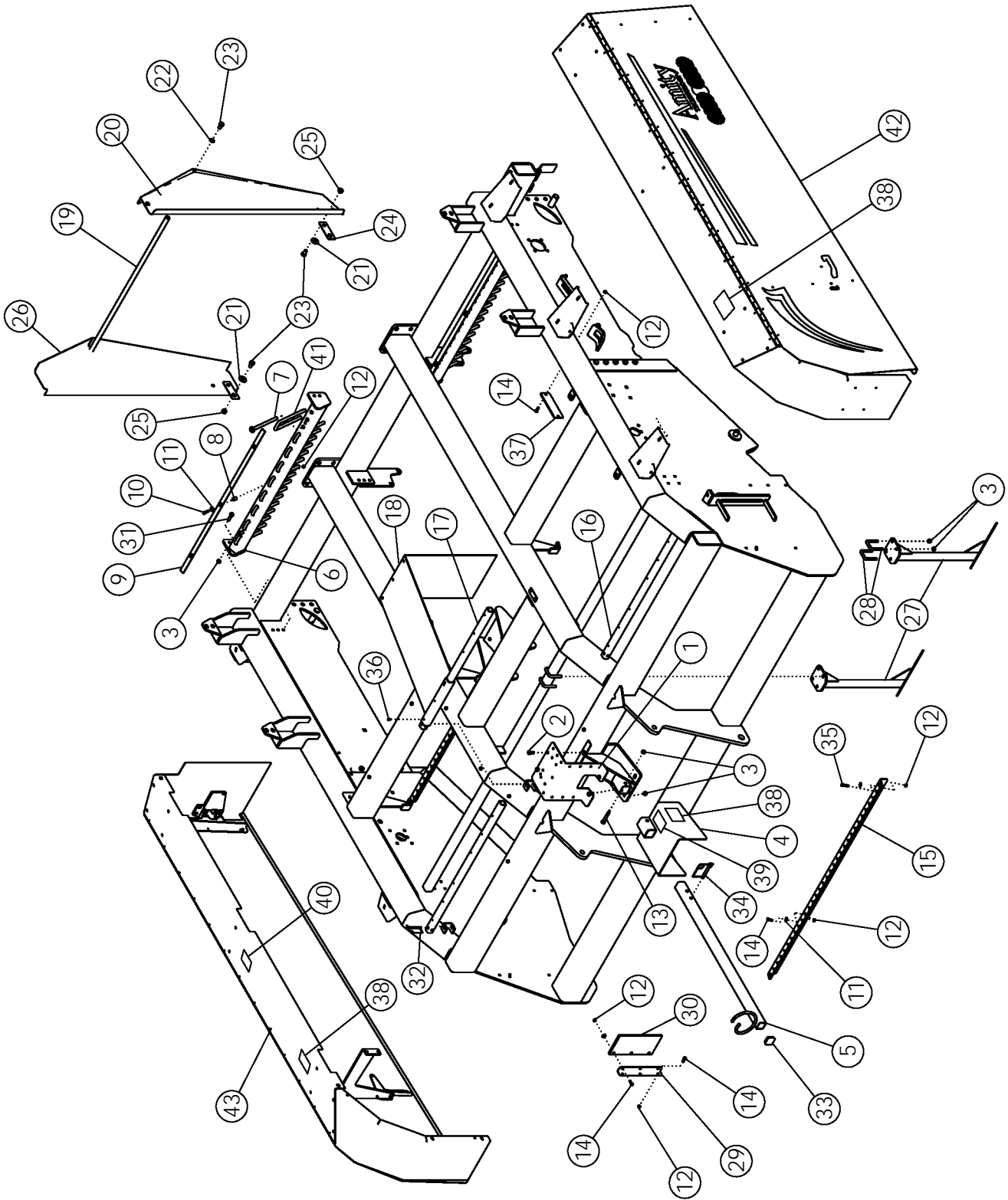
ITEM	PART NO.	DESCRIPTION	QTY
41	51136	UNIBALL COUPLING	1
42	64570	PIN-COTTER: .13 X 1.00 ZP	1
43	1011285	BOLT-HEX: .31 X 2.00 NC	2
44	52181	MOUNTING BRACKET	1
45	1011608	BOLT-HEX: .50 X 1.75 NC GR5 ZP	4
46	1011584	WASHER-FLAT: SAE .50 ZP	4
47	1011581	WASHER-LOCK: .50 ZP	8
48	1011577	NUT-HEX: .50 NC GR2 ZP	8
49	62871	WLDMT-BRACKET	1
50	1012060	BOLT-HEX: .75 X 2.00 NC GR5 ZP	2
51	1013537	NUT-TOPLOCK: .75 NC GR5 ZP	2
52	53984	U-BOLT 1/2 X 7 X 6 X 7	2
53	62882	TIGHTENER BOLT-ZP	1
54	1011748	ZERK - GREASE	3



GUARDS AND SHIELDS

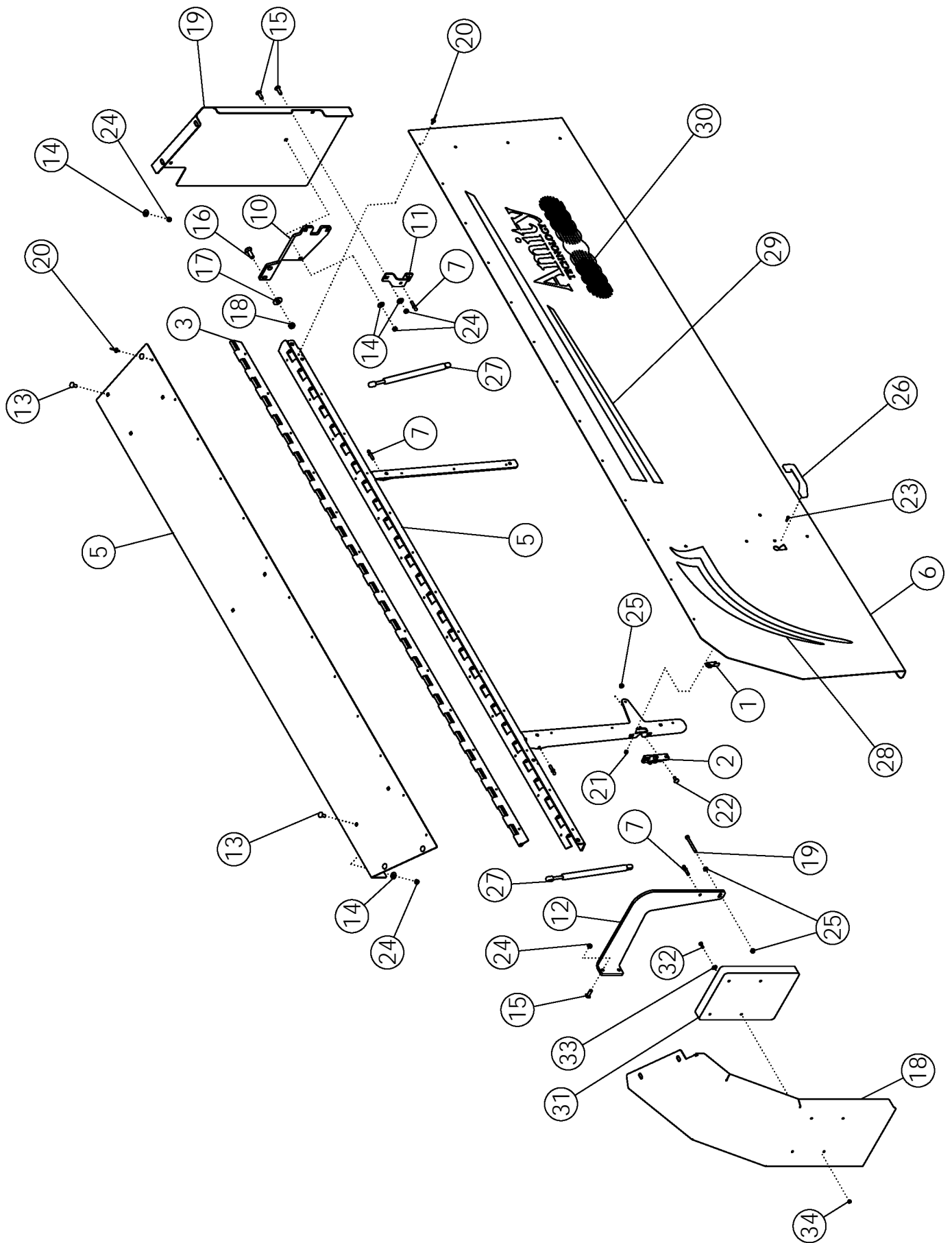
ITEM	PART NO.	DESCRIPTION	QTY
1	62883	PLATE-HOSE MOUNT	1
2	1011096	BOLT-HEX: .50 X 1.00 NC GR5 ZP	4
3	1027461	NUT-TOPLOCK: .50 NC GR5 ZP	33
4	63354	WLDMT-PTO SHIELD	1
5	54800	WLDMT-HOSE SUPPORT	1
6	58008	WLDMT-MOUNT	2
7	58009	ROD ZP	2
8	58446	SPACER ZP	6
9	58447	STRAP	2
10	1011603	BOLT-HEX: .38 X 1.75 NC GR5 ZP	6
11	1011828	WASHER-FLAT: .38 ZP	42
12	1016999	NUT-TOPLOCK: .38 NC GR5 ZP	53
13	1011611	BOLT-HEX: .50 X 3.00 GR5 ZP	1
14	1011600	BOLT-HEX: .38 X 1.00 NC GR5 ZP	34
15	53247	MOUNT-TARP 6R	2
16	57720	TUBE-OUTER APRON 6R	2
17	57721	TUBE-INNER APRON 6R/8R	1
18	58961	APRON-RUBBER	6
19	56754	PIPE-THREADED	1
20	56257	GUARD-REAR SCRUB LH	1
21	1013024	WASHER-FLAT: .63 ZP	4
22	1011813	WASHER-LOCK: .63 ZP	2
23	1032275	BOLT-HEX: .63 X 1.00 NC GR5 ZP	6
24	56256	LINK-GUARD	2
25	1016595	NUT-TOPLOCK: .63 NC GR5 ZP	4
26	56258	GUARD-REAR SCRUB RH	1
27	62378	WLDMT - DEFLECTOR 22"	5
28	65658	U-BOLT: 1/2 X 3 X 2.06 X 3	10
29	51331	ANGLE	2
30	51680	DEFLECTOR-RUBBER	2
31	1011608	BOLT-HEX: .50 X 1.75 NC GR5 ZP	8
32	59101	SPRING PIN .375" X 3.00"	3
33	63869	CAPLUG-2" SQ	1
34	52408	SPRING PIN .50" X 3.50"	1
35	1011602	BOLT-HEX: .38 X 1.50 NC GR5 ZP	4
36	1011974	POP-RIVET: .19 X .531 ZP	18
37	63501	PLATE-COVER	2
38	52341	DECAL-WARNING	5
39	52336	DECAL-CAUTION	1

CONTINUED



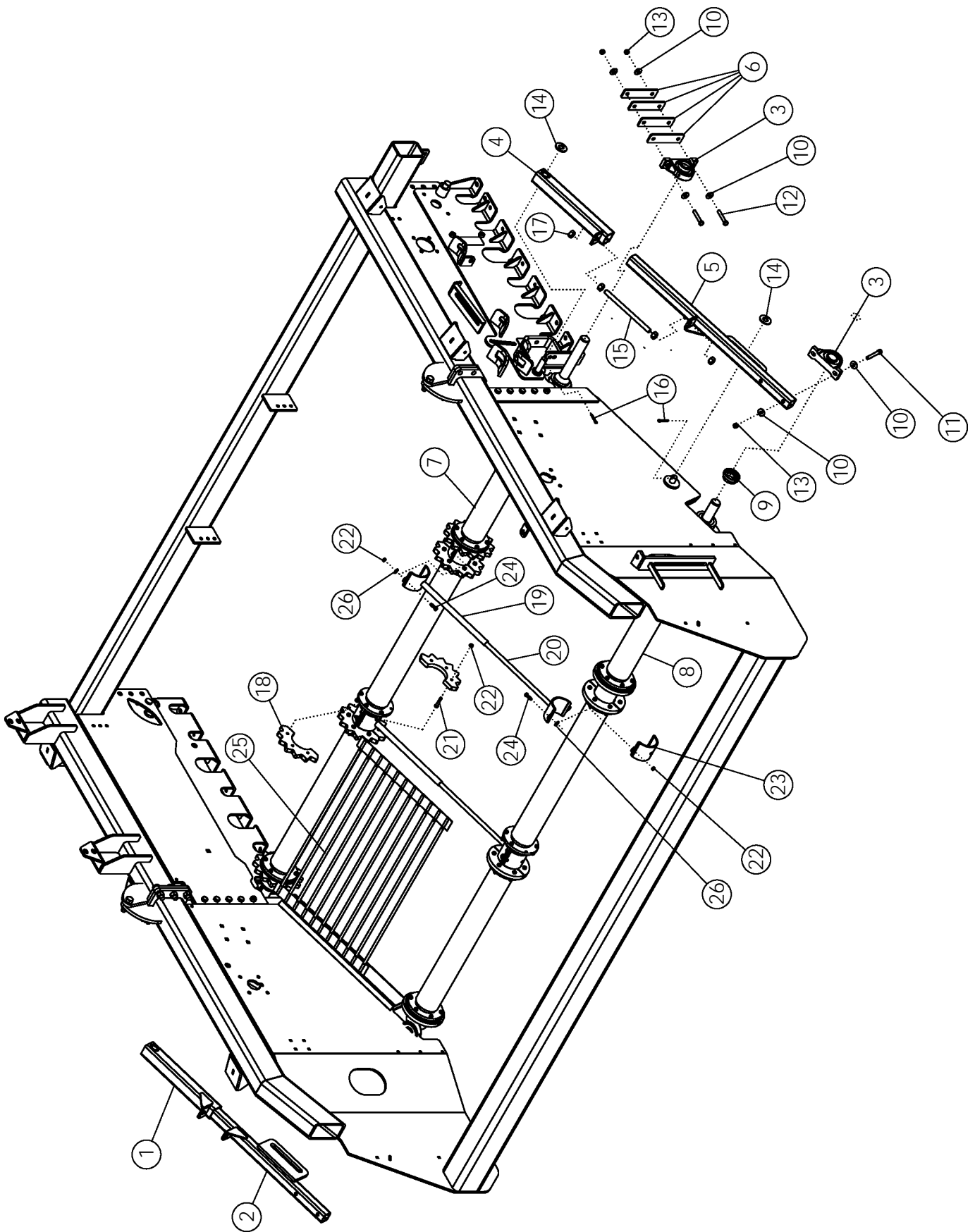
GUARDS AND SHIELDS (CONTINUED)

ITEM	PART NO.	DESCRIPTION	QTY
40	53740	DECAL-DANGER	1
41	69117	U ROD ZP	18
42	69265	ASSY-LH DOOR 6R & 8R	1
43	69350	ASSY-RH DOOR 6R & 8R	1



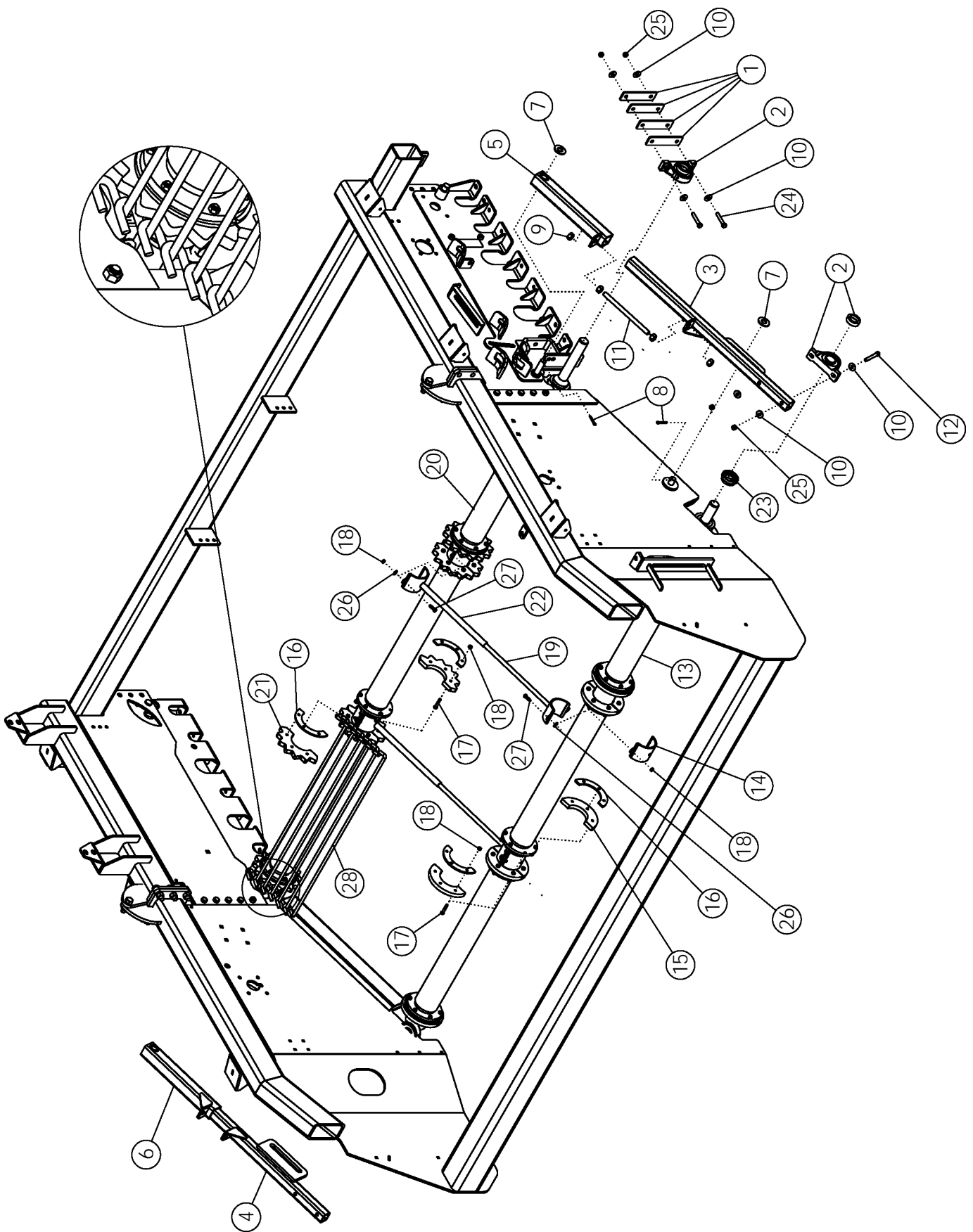
DOOR ASSEMBLY

ITEM	PART NO.	DESCRIPTION	QTY
1	69284	LEVER-HRV LATCH ZP	1
2	69283	LATCH-DLP ROTARY SLAM	1
3	69286	HINGE-108 HEAVY CONTINUOUS	1
4	69266	WLDMT-DOOR FRAME LH	1
	69348	WLDMT-DOOR FRAME RH (NOT SHOWN)	1
5	69271	PANEL-SHIELD TOP LH PC	1
	69316	PANEL-SHIELD TOP RH PC (NOT SHOWN)	1
6	69270	SHEET-SHIELD DOOR LH PC	1
	69319	SHEET-SHIELD DOOR RH PC (NOT SHOWN)	1
7	69278	STUD-BALL .31-18NC X.75	4
8	69272	PANEL-SHIELD FRONT LH PC	1
	69317	PANEL-SHIELD FRONT RH PC (NOT SHOWN)	1
9	69273	PANEL-SHIELD REAR LH PC	1
	69318	PANEL-SHIELD REAR RH PC (NOT SHOWN)	1
10	69274	PLATE-SUPPORT REAR LH	1
	69344	PLATE-SUPPORT REAR RH (NOT SHOWN)	1
11	69275	BRACKET-SPRING REAR	1
12	69277	BRACKET-SPRING FRONT LH	1
	69320	BRACKET-SPRING FRONT RH (NOT SHOWN)	1
13	59488	BOLT-CRG: .38 X 1.00 NC GR5 ZP	10
14	1011828	WASHER-FLAT .38 ZP	17
15	1016362	BOLT-CRG: .38 X 1.25 NC GR5 ZP	7
16	1011660	BOLT-CRG: .50 X 1.50 NC GR5 ZP	2
17	1014443	WASHER-FLAT: .50 ZP	2
18	1027461	NUT-TOPLOCK: .50 NC GR5 ZP	2
19	1029448	BOLT-HEX .31 X 3.00 NC GR5 ZP	1
20	1011974	RIVET-POP: .19 X .531 ZP	32
21	67079	NUT-NYLOCK: 10-24 GR2 ZP	2
22	65702	BOLT-CRG: .31 X .75 NC GR5 ZP	2
23	67078	SCREW-P-H: 10-24 X .75 NC GR2 ZP	2
24	1016999	NUT-TOPLOCK: .38 NC GR5 ZP	17
25	67077	NUT-FLANGE SERR .31 NC ZP GR2	4
26	69285	HANDLE-MOLDED GRAB	1
27	69282	SPRING-700N GAS	2
28	69294	DECAL-LH CURVE	1
	69297	DECAL-RH CURVE	1
29	69295	DECAL-LH STRIPE	1
	69298	DECAL-RH STRIPE	1
30	69296	DECAL-LH AMITY LOGO	1
	69299	DECAL-RH AMITY LOGO	1
31	64635	CASE-MANUAL STORAGE	1
32	1011595	BOLT-HEX: .25 X .75 NC GR5 ZP	4
33	1020416	WASHER-FLAT: .25 ZP	4
34	1030946	NUT-TOPLOCK: .25 NC GR5 ZP	4



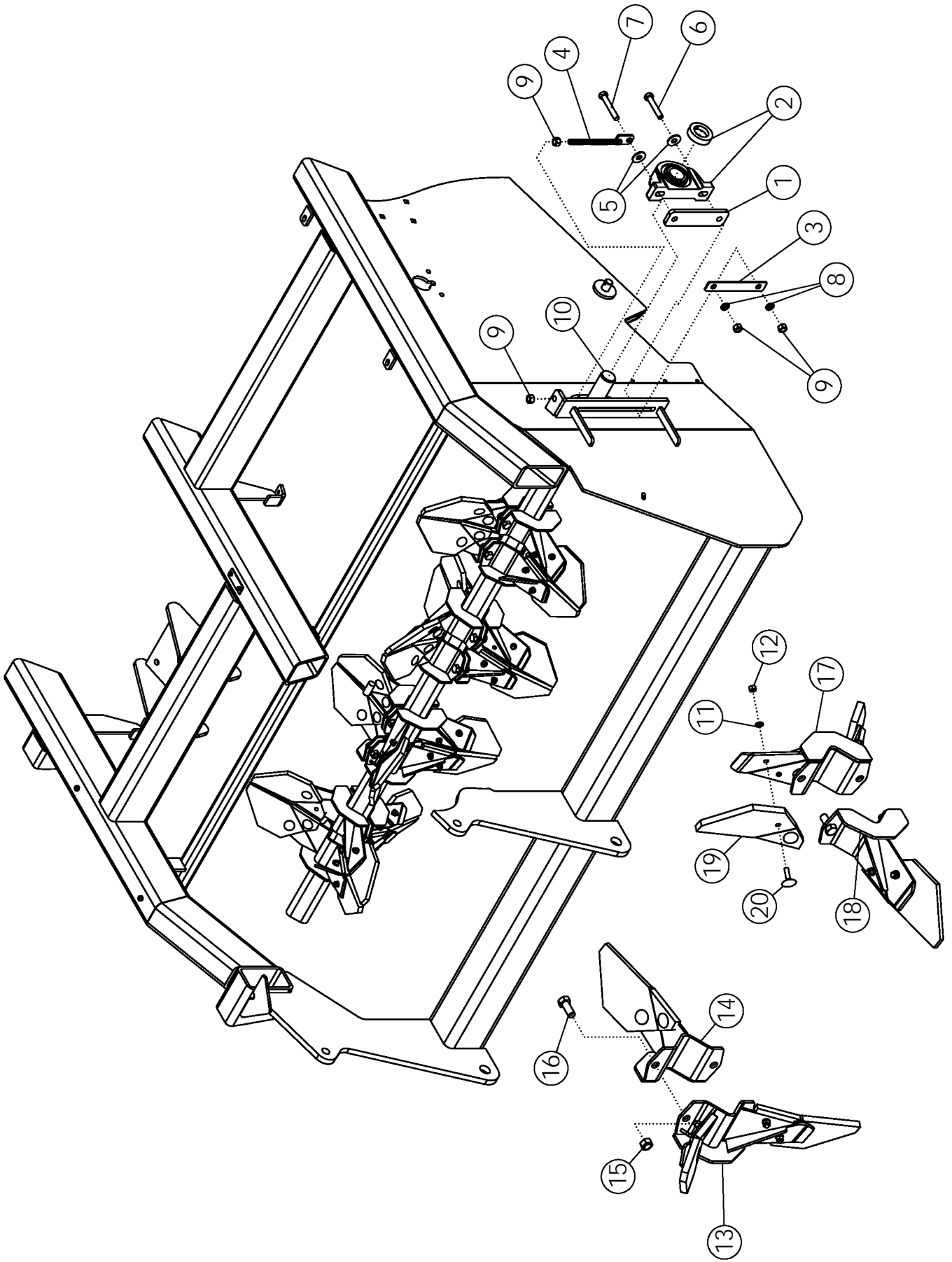
APRON SHAFT - BELTED CHAIN

ITEM	PART NO.		QTY
1	56693	WLDMT-ARM RH	1
2	56698	WLDMT-SLIDE RH	1
3	52405	BEARING-PILLOW 1.75	4
4	56692	WLDMT-ARM LH	1
5	56697	WLDMT-SLIDE LH	1
6	56672	SHIM-BEARING ZP	AR
7	63352	WLDMT-TOP APRON SHAFT	1
8	63394	WLDMT-BOTTOM APRON SHAFT	1
9	52382	SEAL PROTECTOR 1.75	2
10	1014443	WASHER-FLAT: .50 ZP	16
11	1029104	BOLT-HEX: .50 X 3.75 NC GR5 ZP	4
12	1011611	BOLT-HEX: .50 X 3.00 NC GR5 ZP	4
13	1027461	NUT-TOPLOCK: .50 NC GR5 ZP	8
14	1020685	WASHER-FLAT: 1.00 ZP	4
15	56718	ROD-THREADED ZP	2
16	1016944	PIN-COTTER: .25 X 2.00 ZP	4
17	1011620	NUT-HEX: .75 NC GR2 ZP	8
18	63361	SPROCKET-SPLIT COUNTERBORE (PAIR)	12
19	64162	WLDMT-UPPER FILLER	2
20	64161	WLDMT-LOWER FILLER	2
21	1011603	BOLT-HEX: .38 X 1.75 NC GR5 ZP	72
22	1016999	NUT-TOPLOCK: .38 NC GR5 ZP	80
23	64159	CLAMP-FILLER PAINTED	4
24	64991	BOLT-HEX: .38 X 1.25 NC GR8 ZP	8
25	59560	BELT 1/2 X 42 X 56MM 48LPR	3
26	1011828	WASHER-FLAT: .38 ZP	8



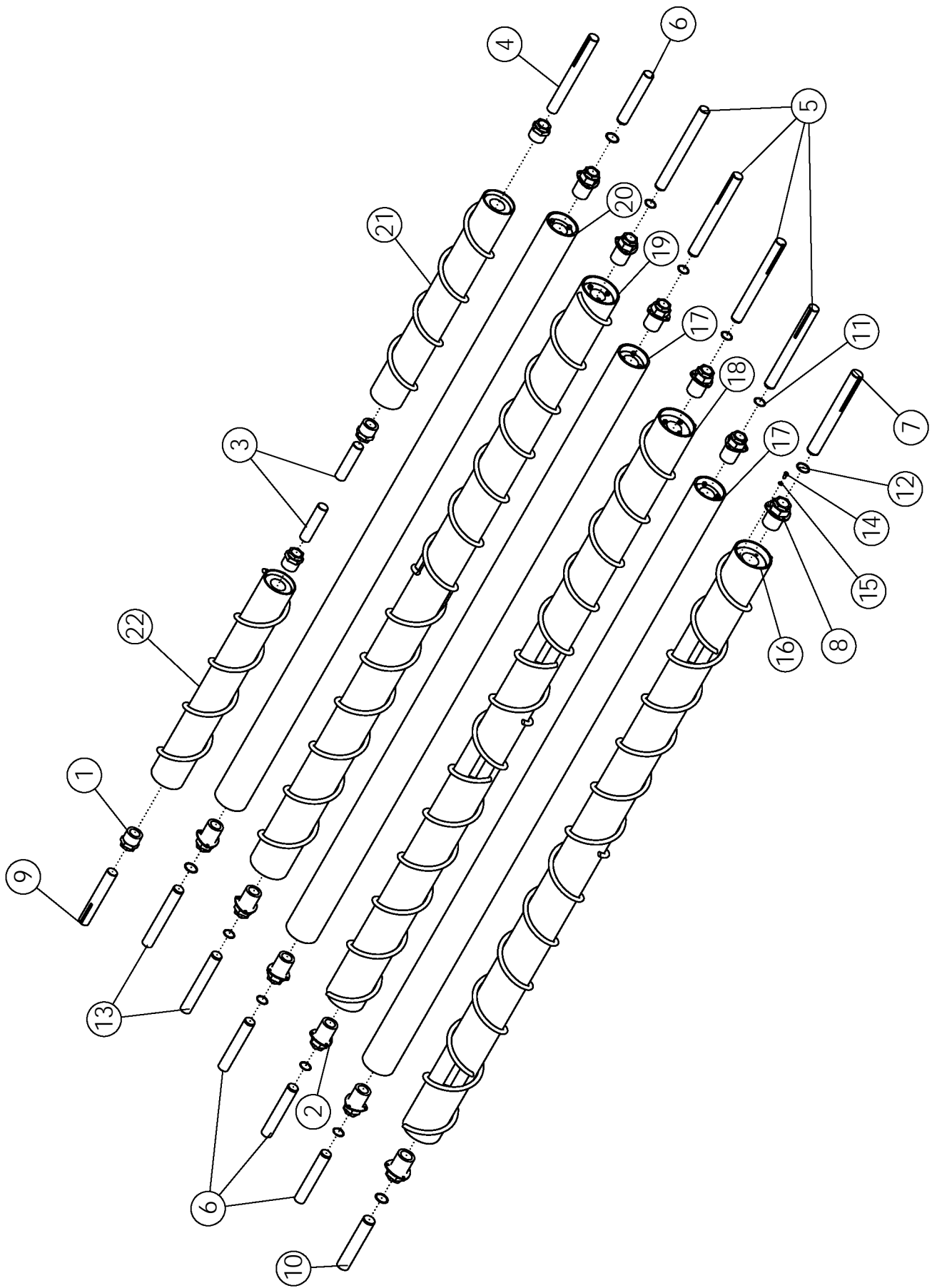
APRON SHAFT - HOOK CHAIN

ITEM	PART NO.	DESCRIPTION	QTY
1	56672	SHIM-BEARING ZP	AR
2	52405	BEARING-PILLOW 1.75 (with lock collar)	4
3	56697	WLDMT-SLIDE LH	1
4	56698	WLDMT-SLIDE RH	1
5	56692	WLDMT-ARM LH	1
6	56693	WLDMT-ARM RH	1
7	1020685	WASHER-FLAT: 1.00 ZP	4
8	1016944	PIN-COTTER: .25 X 2.00 ZP	4
9	1011620	NUT-HEX: .75 NC GR2 ZP	8
10	1014443	WASHER-FLAT: .50 ZP	16
11	56718	ROD-THREADED ZP	2
12	1029104	BOLT-HEX: .50 X 3.75 NC GR5 ZP	4
13	63394	WLDMT- BOTTOM APRON SHAFT	1
14	64159	CLAMP-FILLER PAINTED	4
15	58322	HALF-DISC ZP	12
16	62836	HALF DISC - SPACER ZP (1/2" CHAIN ONLY)	24
17	1011725	BOLT-HEX: .38 X 2.00 NC GR5 ZP (1/2" CHAIN ONLY)	72
	1011603	BOLT-HEX: .38 X 1.75 NC GR5 ZP	
18	1016999	NUT-TOPLOCK: .38 NC GR5 ZP	80
19	64161	WLDMT-LOWER FILLER	2
20	63352	WLDMT-TOP APRON SHAFT	1
21	58318	SPROCKET-HALF 2.38 ZP	12
	64154	SPROCKET-HALF 2.38 ZP (ROCK)	
22	64162	WLDMT-UPPER FILLER	2
23	52382	SEAL PROTECTOR 1-3/4"	2
24	1011611	BOLT-HEX: .50 X 3.00 NC GR5 ZP	4
25	1027461	NUT-TOPLOCK: .50 NC GR5 ZP	8
26	1011828	WASHER-FLAT: .38 ZP	8
27	64991	BOLT-HEX: .38 X 1.25 NC GR8 ZP	8
28	53844	CHAIN 1/2 X 42 X 2.38	6
	53846	CHAIN 5/8 X 42 X 2.38	



PADDLE SHAFT

ITEM	PART NO.	DESCRIPTION	QTY
1	57996	SHIM-BEARING ZP	2
2	57997	BEARING-PILLOW 2"	2
3	57998	PLATE-BACKING ZP	2
4	51365	TIGHTENER BOLT	2
5	1013024	WASHER-FLAT: .63 ZP	4
6	1014000	BOLT-HEX: .63 X 3.50 NC GR5 ZP	2
7	1016726	BOLT-HEX: .63 X 4.00 NC GR5 ZP	2
8	1011813	WASHER-LOCK: .63 ZP	4
9	1011578	NUT-HEX: .63 NC GR2 ZP	8
10	57975	WLDMT-PADDLE SHAFT	1
11	1011586	WASHER-LOCK: .38 ZP	72
12	1011576	NUT-HEX: .38 NC GR2 ZP	72
13	50722	WLDMT - PADDLE DOUBLE RH	6
14	50721	WLDMT - PADDLE SINGLE RH	6
15	1016595	NUT-TOPLOCK: .63 NC GR5 ZP	24
16	1014349	BOLT-HEX: .63 X 1.50 NC GR5 ZP	24
17	50719	WLDMT - PADDLE DOUBLE LH	6
18	50720	WLDMT - PADDLE SINGLE LH	6
19	51562	PADDLE-RUBBER	36
20	1030779	BOLT-ELEVATOR: .38 X 1.50 NC ZP	72



CLEANING ROLLS

ITEM	PART NO.	DESCRIPTION	QTY
------	----------	-------------	-----

PARTS COMMON TO ALL ROLLS

1	58459	HUB-TRANTORQUE 1.75	4
2	64163	HUB-TRANTORQUE 1.75 X 3.38	10
3	59471	SHAFT-STUB-#7 ROLL-RH, LH-IDLER	2
4	58759	SHAFT-#7 LH ROLL-DRIVE END	1
5	64177	SHAFT-DRIVE #2,3,4,5	4
6	64179	SHAFT-IDLER #2,3,4,6	4
7	64181	SHAFT-#1 DRIVE END	1
8	64165	HUB-TRANTORQUE 2.00 X 3.38	2
9	58761	SHAFT-#7 RH ROLL-DRIVE END	1
10	64182	SHAFT-#1 IDLER END	1
11	64184	RING-RETAINING 1.75	10
12	64185	RING-RETAINING 2.00	2
13	64178	SHAFT-#5,6	2
14	1011599	BOLT-HEX: .38 X .75 NC GR5 ZP	36
15	1011586	WASHER-LOCK: .38 ZP	36

NUMBER ONE ROLL (COMPLETE)

16	58824	ROLL-SPIRAL-STANDARD	1
	58937	ROLL-SPIRAL-POLY COATED	
	58948	ROLL-SPIRAL-HARDENED	

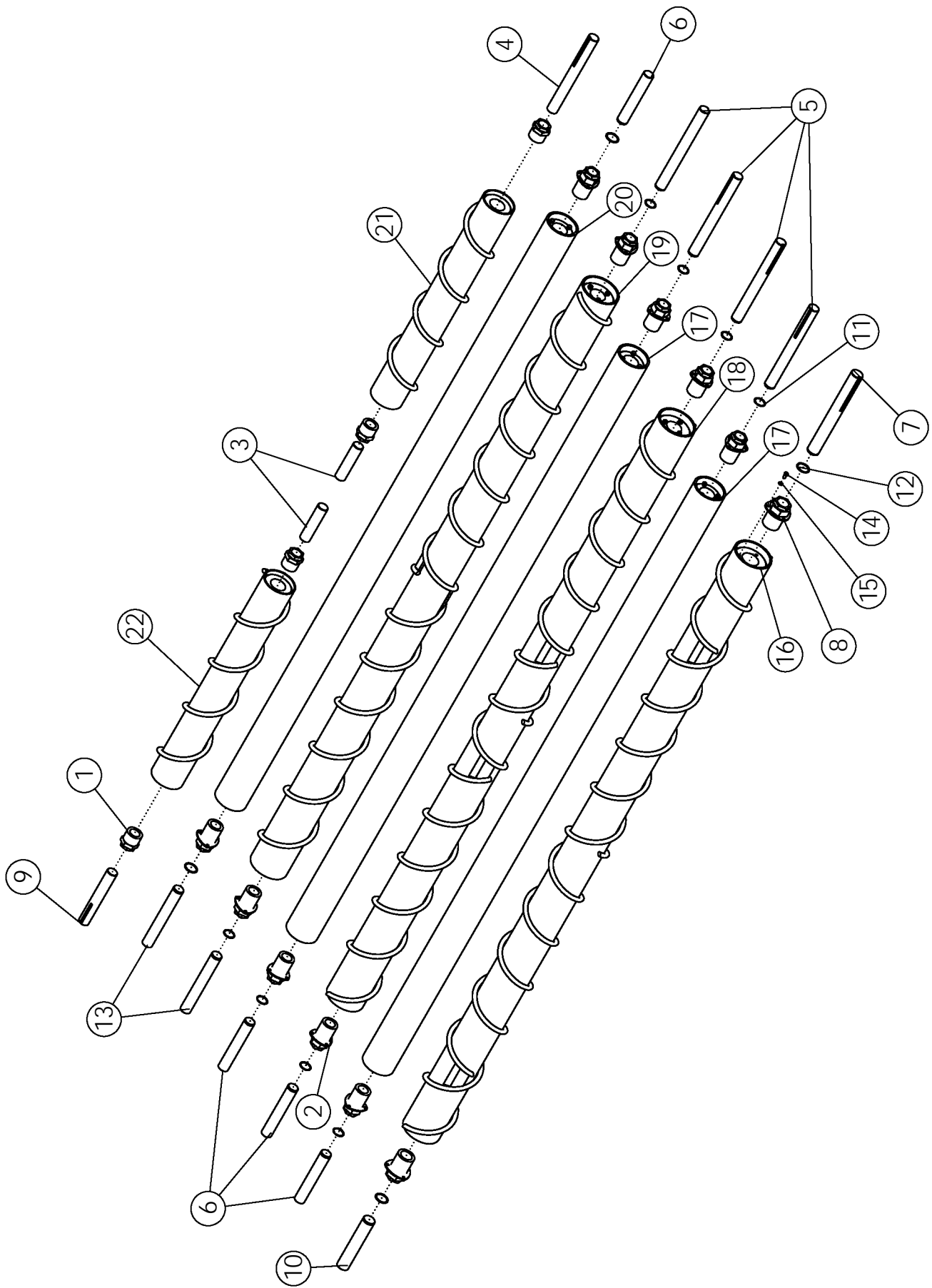
NUMBER TWO AND FOUR ROLLS (COMPLETE)

17	58953	ROLL-5.5" SMOOTH-STANDARD	2
	58943	ROLL-5" SMOOTH-POLY COATED	

NUMBER THREE ROLL (COMPLETE)

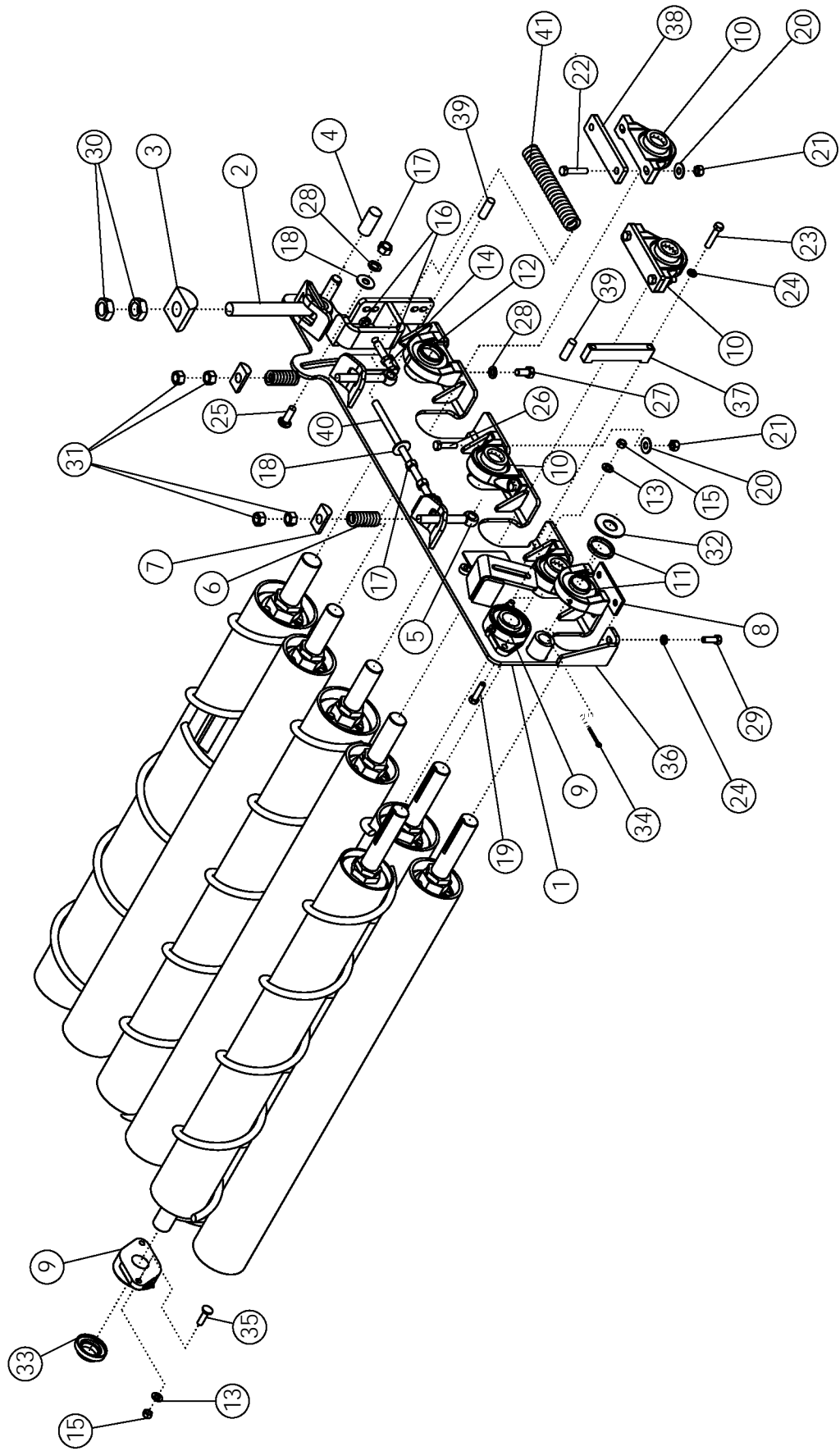
18	58829	ROLL-SPIRAL-STANDARD	1
	58939	ROLL-SPIRAL-POLY COATED	
	58949	ROLL-SPIRAL-HARDENED	

CONTINUED



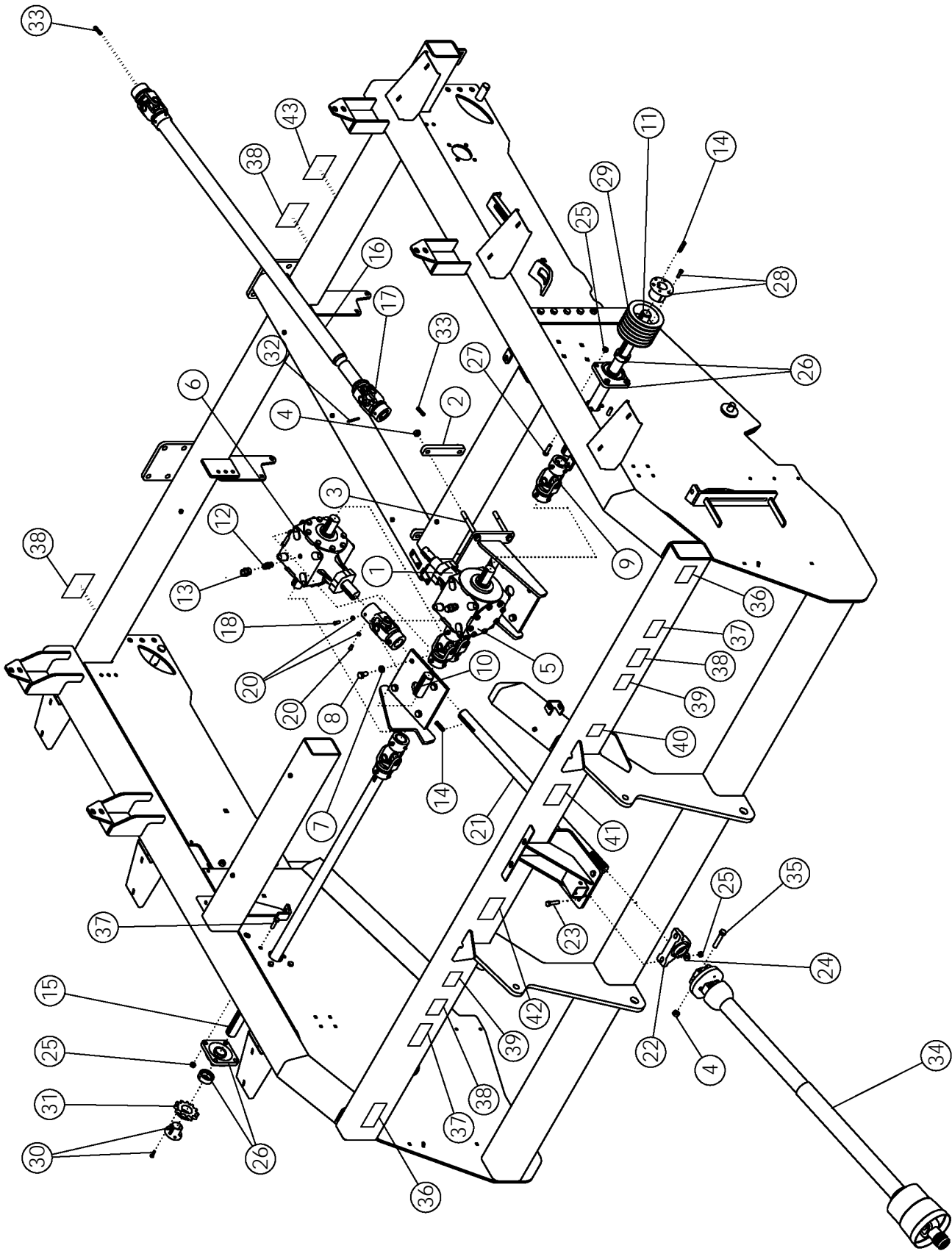
CLEANING ROLLS (CONTINUED)

ITEM	PART NO.	DESCRIPTION	QTY
<u>NUMBER FIVE ROLL (COMPLETE)</u>			
19	58832	ROLL-SPIRAL-STANDARD	1
	58942	ROLL-SPIRAL-POLY COATED	
	58950	ROLL-SPIRAL-HARDENED	
<u>NUMBER SIX ROLL (COMPLETE)</u>			
20	58954	ROLL-5.5" SMOOTH-STANDARD	1
	58944	ROLL-SPIRAL-POLY COATED	
<u>NUMBER SEVEN ROLL - - LEFT HAND (COMPLETE)</u>			
21	62183	ROLL-SPIRAL-POLY	1
	59473	ROLL-SPIRAL	
<u>NUMBER SEVEN ROLL - - RIGHT HAND (COMPLETE)</u>			
22	62185	ROLL-SPIRAL-POLY	1
	59475	ROLL-SPIRAL	



CLEANING ROLL MOUNTING PACKAGE

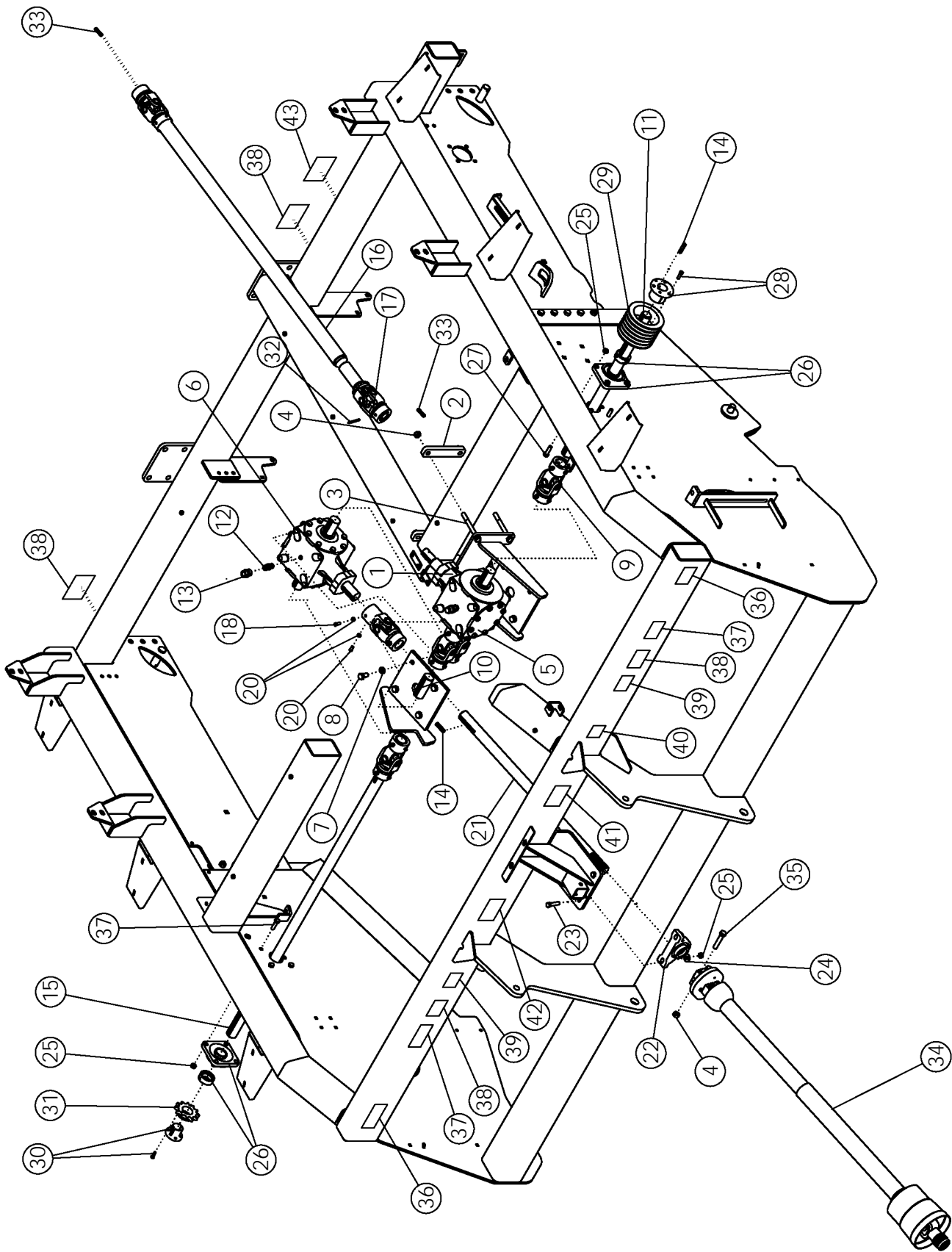
ITEM	PART NO.	DESCRIPTION	QTY
1	58907	WLDMT-MOUNT RH	1
	58906	WLDMT-MOUNT LH (NOT SHOWN)	1
2	56813	BOLT-EYEBOLT: 1.25 X 10.5 ZP	2
3	56679	HALF ROUND 3.0" ZP	2
4	56676	ROD ZP	2
5	56814	BOLT-EYEBOLT: .75 X 6.00 ZP	4
6	57877	SPRING 3.00" (RIGHT SIDE ONLY)	2
7	56680	HALF ROUND 1.50" ZP	4
8	57992	SHIM-BEARING	2
9	62134	BEARING-FLANGE 1-3/4"	4
10	52405	BEARING-PILLOW 1-3/4"	8
	64466	PILLOW BLOCK BEARING 1-3/4" STL (ROCK ONLY)	
11	62135	BEARING 1.750 TAPPED BASE	2
12	62136	BEARING 2.000 TAPPED BASE	2
13	1011584	WASHER-FLAT: SAE .50 ZP	4
14	1032273	BOLT-TAP: .63 X 3.50 NC GR5 ZP	2
15	1027461	NUT-TOPLOCK: .50 NC GR5 ZP	8
16	1026259	NUT-JAM: .63 NC GR2 ZP	4
17	1011578	NUT-HEX: .63 NC GR2 ZP	8
18	1013024	WASHER-FLAT: .63 ZP	4
19	1011609	BOLT-HEX: .50 X 2.00 NC GR5 ZP	4
20	59104	WASHER-FLAT: .56 GR8 ZP	16
21	59105	NUT-TOPLOCK: .56 NC GR8 ZP	16
22	59103	BOLT-HEX: .56 X 2.50 NC GR8 ZP	8
23	1011610	BOLT-HEX: .50 X 2.50 NC GR5 ZP	4
24	1011581	WASHER-LOCK: .50 ZP	8
25	58635	BOLT-CRG: .63 X 2.00 NC GR5 ZP	2
26	59102	BOLT-HEX: .56 X 2.00 NC GR8 ZP	8
27	1032509	BOLT-HEX: .63 X 1.25 NC GR5 ZP	4
28	1011813	WASHER-LOCK: .63 ZP	6
29	1011607	BOLT-HEX: .50 X 1.50 NC GR5 ZP	4
30	62511	NUT-JAM: 1.25 NC GR2 ZP	4
31	1011620	NUT-HEX: .75 NC GR2 ZP	8
32	1013431	WASHER-FLAT: 1.25 ZP	2
33	52383	LOCK PROTECTOR 1-3/4"	2
34	1016727	PIN-COTTER: .25 X 2.50 NP	2
35	59517	BOLT-CRG: .50 X 1.75 NC GR5 ZP	4
36	56682	WLDMT-SLIDE MOUNT RH	1
	56681	WLDMT-SLIDE MOUNT LH (NOT SHOWN)	1
37	56677	WLDMT-HOLDER	2
38	57792	SHIM-BEARING	4
39	56675	ROD ZP	4
40	56815	WLDMT-BOLT & NUT ZP	2
41	57878	SPRING 10"	2



MAIN DRIVE

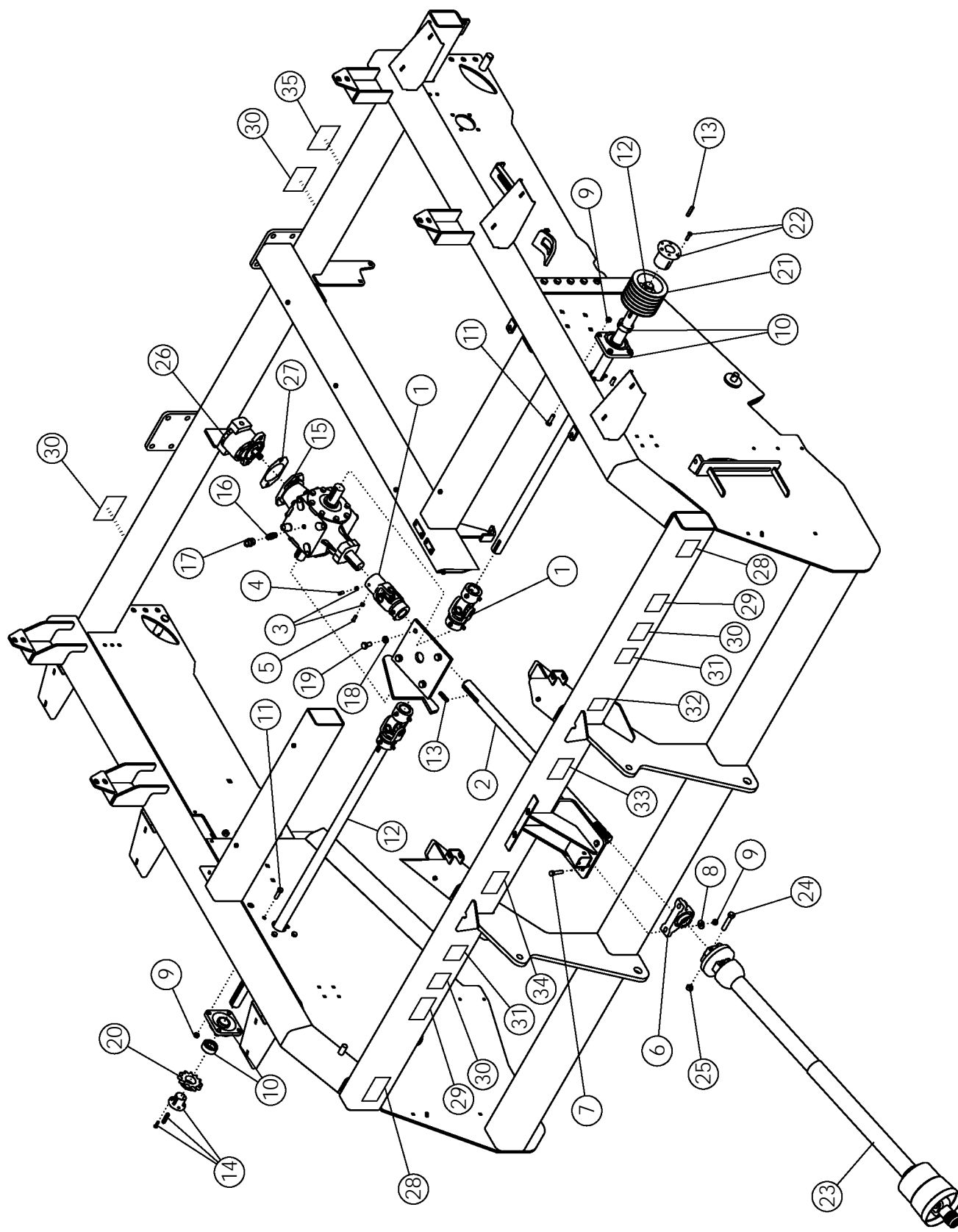
ITEM	PART NO.	DESCRIPTION	QTY
1	62204	WLDMT - MOUNT GEARBOX	1
2	62544	BAR - BOLTING	2
3	1032504	BOLT-HEX: .63 X 6.00 NC GR8 ZP	4
4	1016595	NUT-TOPLOCK: .63 NC GR5 ZP	6
5	63847	GEARBOX-PRAIRIE (1.35:1) BLACK	1
6	63846	GEARBOX-PRAIRIE (1.81:1) BLACK	1
7	1011813	WASHER-LOCK: .63 ZP	8
8	1032509	BOLT-HEX: .63 X 1.25 NC GR5 ZP	8
9	53642	U-JOINT	5
10	57934	SHAFT-DRIVE LH SHORT	1
11	57935	SHAFT-DRIVE LH LONG	1
12	69128	FTG-ADAPTER: 8MP-8MP 4" LONG	2
13	55730	FTG-ADAPTER: 8FP-8FP	2
14	50152	KEY .38 X .38 X 2.00	11
15	56819	SHAFT-DRIVE 6R	1
16	57924	SHAFT-DRIVE: 72.50"	1
17	57925	COUPLER-DRIVE BLACK	1
18	1030709	SCREW-SET: C-P .38 X 1.00 NC GR8	10
19	1013519	NUT-JAM: .38 NC GR2 ZP	20
20	1030708	SCREW-SET: C-P .38 X .75 NC GR8	10
21	56775	SPLINE SHAFT	1
22	52405	BEARING-PILLOW 1-3/4"	1
23	1017708	BOLT-HEX: .50 X 2.25 NC GR5 ZP	2
24	1014443	WASHER-FLAT: .50 ZP	2
25	1027461	NUT-TOPLOCK: .50 NC GR5 ZP	10
26	52404	BEARING-FLANGE 1.75	2
27	1011608	BOLT-HEX: .50 X 1.75 NC GR5 ZP	8
28	50335	HUB Q1 1-3/4"	1
29	56646	SHEAVE 6TB62	1
	56647	SHEAVE 6TB68	
	53668	SHEAVE 6TB56	
30	53641	HUB P1 1-3/4" (WITH KEY)	1
31	62034	SPROCKET H80-P12	1
32	58489	PIN-ROLL: .25 X 2.75 NP	2
33	58396	KEY .31 X .31 X 1.75	2
34	51481	PTO-CV 1.75" WEASLER (HRV)	1
	51480	PTO-CV 1.38" WEASLER (HRV)	
35	1030704	BOLT-HEX: .63 X 3.25 NC GR5 ZP	2
36	64617	DECAL-DANGER	2
37	52334	DECAL-WARNING	2
38	52338	DECAL-DANGER	4

CONTINUED



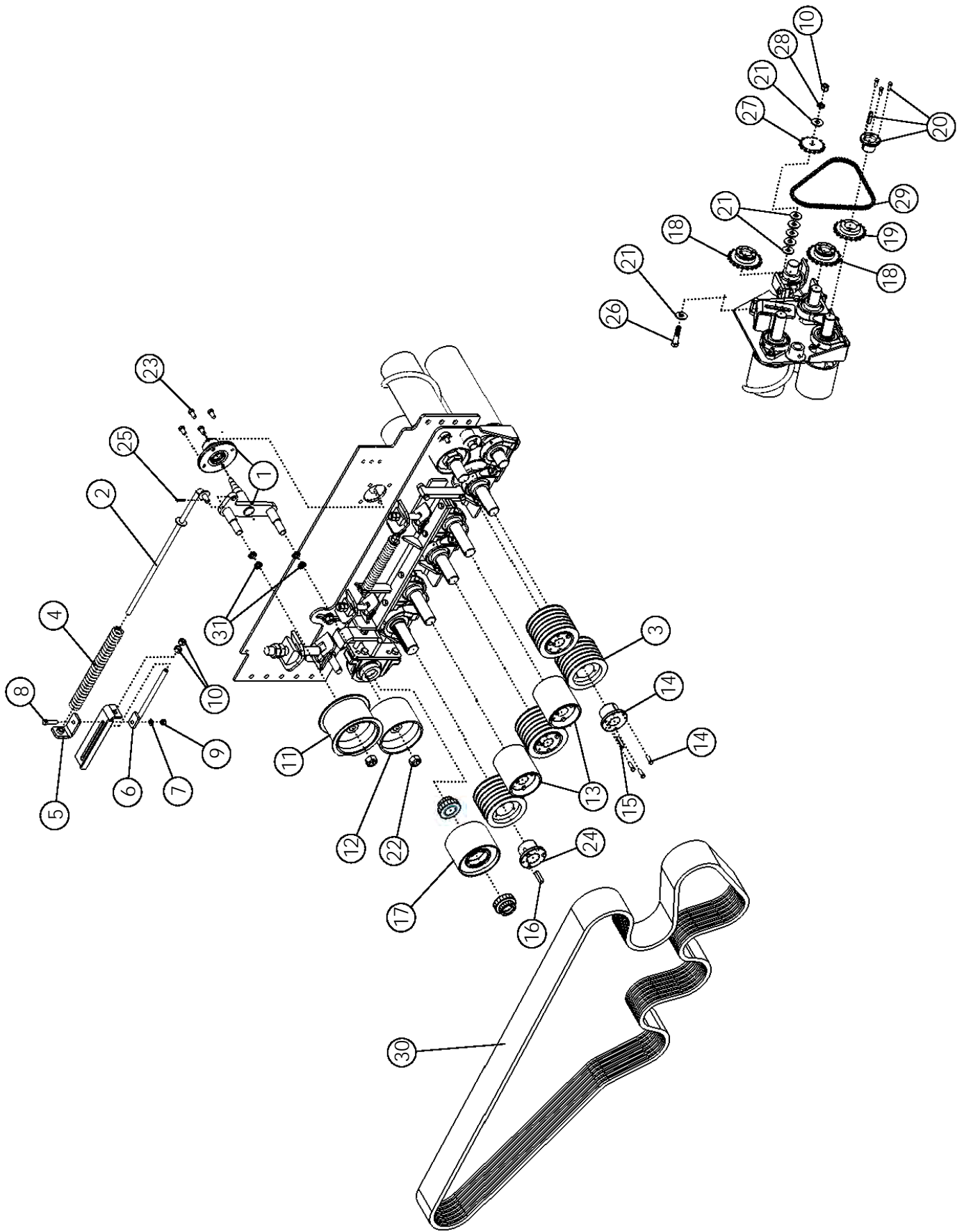
MAIN DRIVE (CONTINUED)

ITEM	PART NO.	DESCRIPTION	QTY
39	52329	DECAL-DANGER	2
40	64616	DECAL-ENGAGE PTO	1
41	62964	DECAL-WARNING	1
42	53747	DECAL-DANGER	1
43	59614	DECAL-CAUTION	1



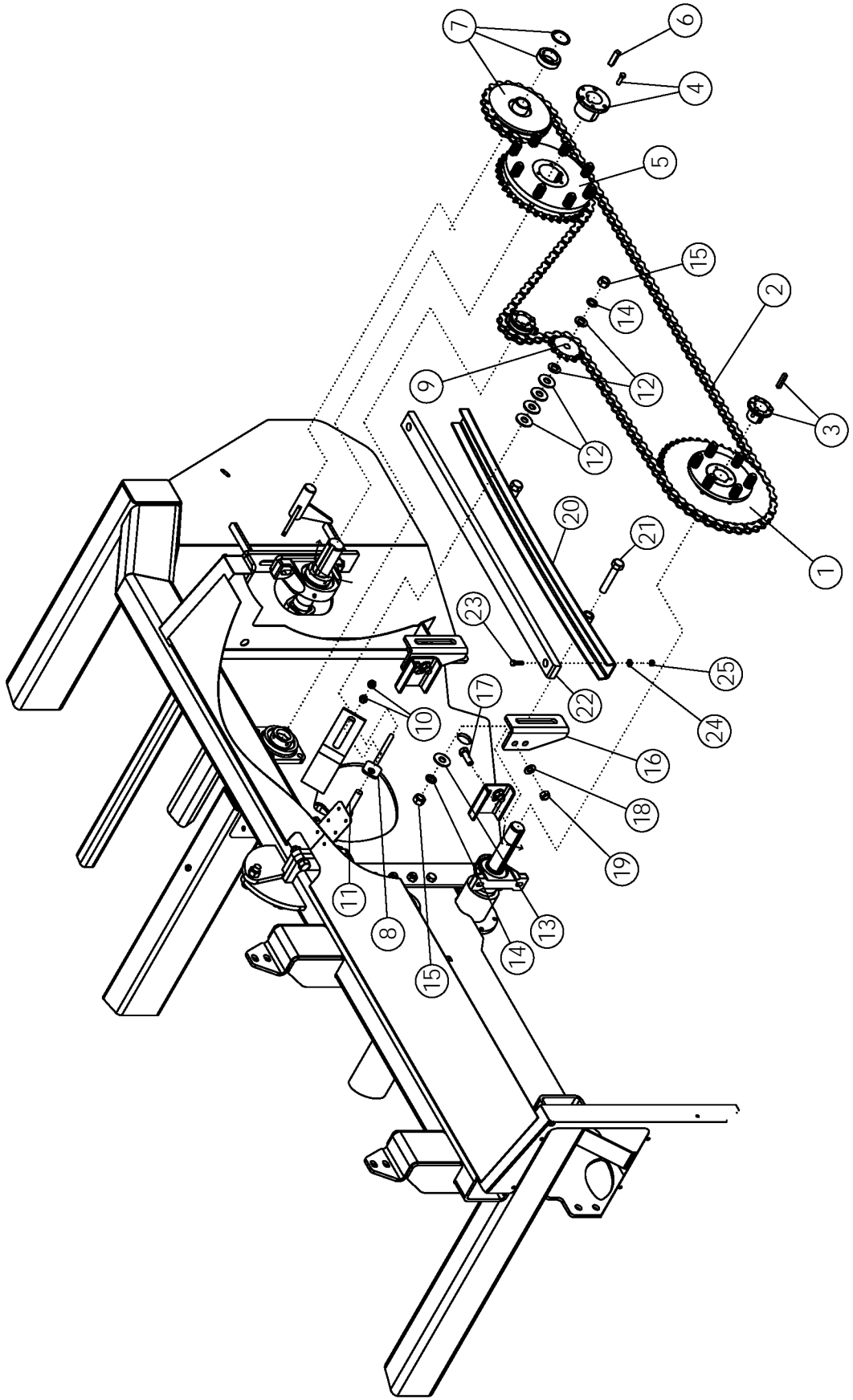
MAIN DRIVE: ONBOARD OPTION

ITEM	PART NO.	DESCRIPTION	QTY
1	53642	U-JOINT	3
2	56775	SPLINE SHAFT	1
3	1013519	NUT-JAM: .38 NC GR2 ZP	12
4	1030708	SCREW-SET: C-P .38 X .75 NC GR8	6
5	1030709	SCREW-SET: C-P .38 X 1.00 NC GR8	6
6	52405	BEARING-PILLOW 1.75	1
7	1017708	BOLT-HEX: .50 X 2.25 NC GR5 ZP	2
8	1014443	WASHER-FLAT: .50 ZP	2
9	1027461	NUT-TOPLOCK: .50 NC GR5 ZP	10
10	52404	BEARING-FLANGE 1.75	2
11	1011608	BOLT-HEX: .50 X 1.75 NC GR5 ZP	8
12	56819	SHAFT-DRIVE 6R	2
13	50152	KEY .38 X .38 X 2.00	7
14	53641	HUB P1 1-3/4" (WITH KEY)	1
15	62396	GEARBOX-PRAIRIE (1.81:1) PAINTED	1
16	69128	FTG-ADAPTER: 8MP-8MP 4" LONG	1
17	55730	FTG-ADAPTER: 8FP-8FP	1
18	1011813	WASHER-LOCK: .63 ZP	4
19	1032509	BOLT-HEX: .63 X 1.25 NC GR5 ZP	4
20	62034	SPROCKET H80-P12	1
21	56646	SHEAVE 6TB62	1
	56647	SHEAVE 6TB68	
	53668	SHEAVE 6TB56	
22	50335	HUB Q1 1.75	1
23	51481	PTO-CV 1.75" WEASLER (HRV)	1
	51480	PTO-CV 1.38" WEASLER (HRV)	
24	1030704	BOLT-HEX: .63 X 3.25 NC GR5 ZP	2
25	1016595	NUT-TOPLOCK: .63 NC GR5 ZP	2
26	62153	PUMP-HYDRAULIC 5.3	1
27	63702	PLATE-ADAPTER SAE 'B' PUMP	1
28	64617	DECAL-DANGER	2
29	52334	DECAL-WARNING	2
30	52338	DECAL-DANGER	4
31	52329	DECAL-DANGER	2
32	64616	DECAL-ENGAGE PTO	1
33	62964	DECAL-WARNING	1
34	53747	DECAL-DANGER	1
35	59614	DECAL-CAUTION	1



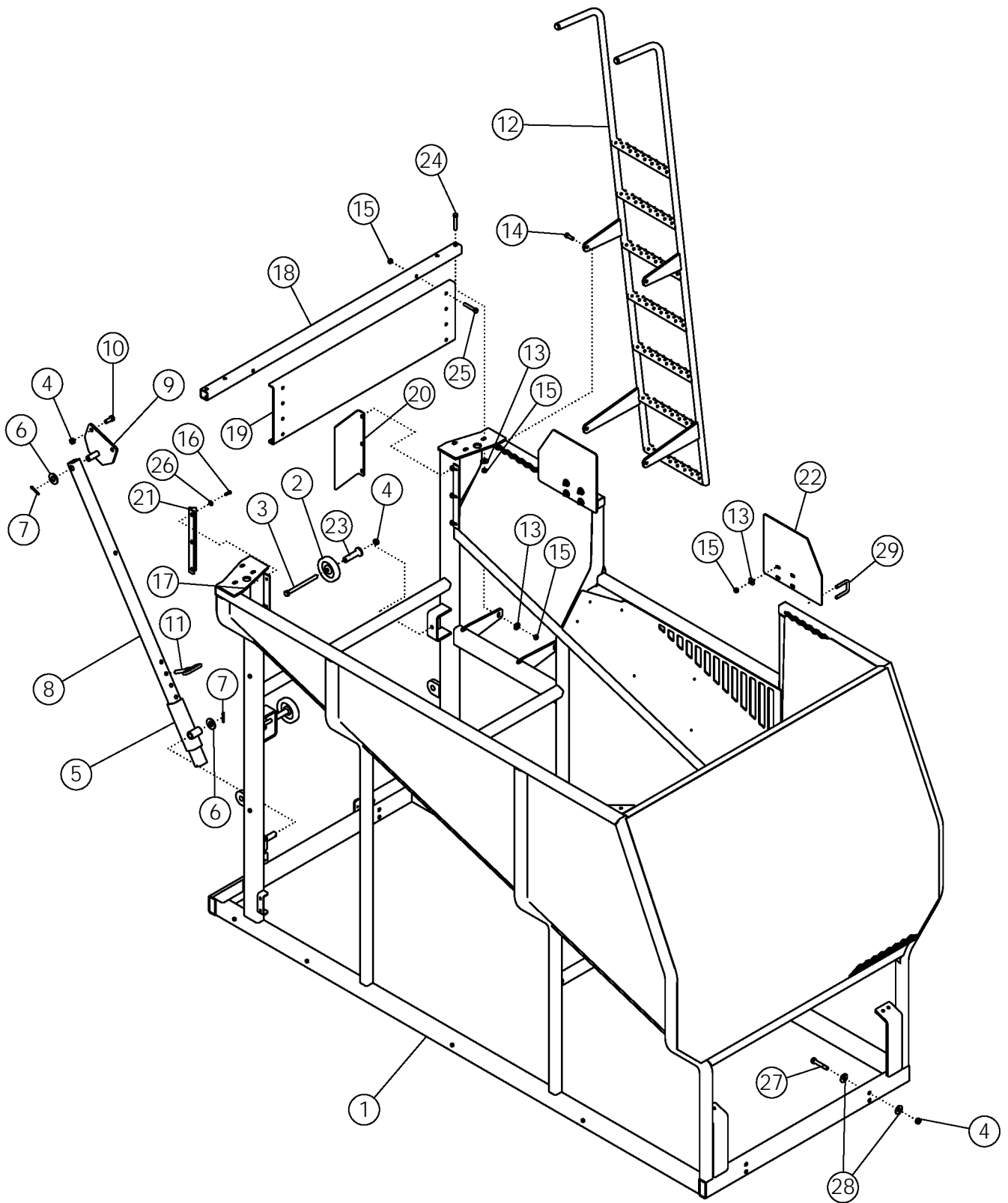
CLEANING ROLL DRIVE

ITEM	PART NO.	DESCRIPTION	QTY
1	56422	ASSY-SPINDLE & HUB	1
2	56711	ROD-PLATED	1
3	56646	SHEAVE 6TB62	4
4	56853	SPRING	1
5	56708	HOLDER-PLATED	1
6	56707	ADJUSTMENT ROD ZP	1
7	1011581	WASHER-LOCK: .50 ZP	1
8	1011609	BOLT-HEX: .50 X 2.00 NC GR5 ZP	1
9	1011577	NUT-HEX: .50 NC GR2 ZP	1
10	1011578	NUT-HEX: .63 NC GR2 ZP	3
11	57933	WLDMT- IDLER (with flange)	1
12	50387	WLDMT-IDLER	1
13	56396	WLDMT-PULLEY 6R	2
14	50335	HUB Q1 1.75	5
15	50152	KEY .38 X .38 X 2.00	5
16	57995	KEY .50 X .50 X 2.00	1
17	56406	ASSY-IDLER PULLEY 6R	1
18	53649	SPROCKET H60-P20	2
19	62106	SPROCKET H60-P19	1
20	53641	HUB P1 1.75 (WITH KEY)	3
21	1013024	WASHER-FLAT: .63 ZP	7
22	1016969	NUT-TOPLOCK: 1.00 NC GR5 ZP	2
23	1015558	BOLT-HEX: .50 X 1.00 NF GR5 ZP	4
24	50385	HUB Q1 2.00	1
25	1019827	PIN-COTTER: .19 X 1.00 NP	1
26	1011624	BOLT-HEX: .63 X 3.00 NC GR5 ZP	1
27	53651	7348-2 SPROCKET IDLER	1
28	1011813	WASHER-LOCK: .63 ZP	1
29	58165	CHAIN-ROLLER 60H-1R-052	1
30	56648	V-BELT 6B195	1
31	50940	BUSHING	4



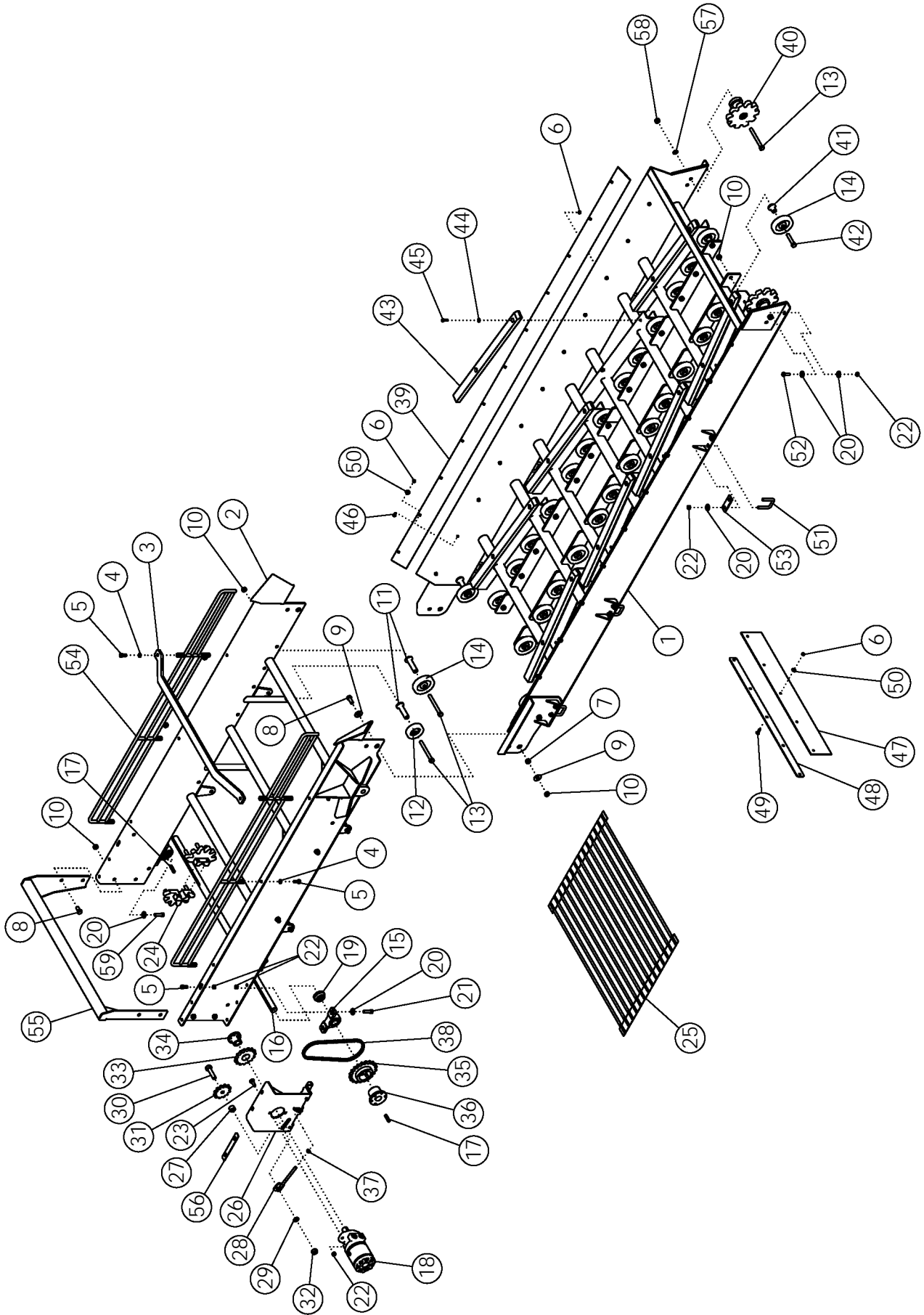
APRON/PADDLE SHAFT DRIVE

ITEM	PART NO.		QTY
1	58335	SPROCKET-CLUTCH 80P45 PRESET	1
2	63578	CHAIN-ROLLER 80H-1R-176	1
3	53641	HUB P1 1.75 (WITH .38 X 2.00 KEY)	1
4	50385	HUB Q1 2.00	1
5	57993	SPROCKET-CLUTCH 80Q36 PRESET	1
6	57995	KEY .50 X .50 X 2.00	1
7	56851	SPROCKET-IDLER H8025 X 1.44	1
8	56864	WLDMT-ADJUSTER	1
9	56334	SPROCKET-IDLER 8012	1
10	1011577	NUT-HEX: .50 NC GR2 ZP	2
11	1032271	BOLT-HEX: .75 X 3.25 NC GR5 ZP	1
12	1012634	WASHER-FLAT: SAE .75 ZP	6
13	1030702	WASHER-FLAT: .75 ZP	2
14	1012061	WASHER-LOCK: .75 ZP	3
15	1011620	NUT-HEX: .75 NC GR5 ZP	3
16	57804	MOUNT	2
17	1013918	BOLT-HEX: .63 X 1.75 NC GR5 ZP	4
18	1013004	WASHER-FLAT: SAE .63 ZP	4
19	1016595	NUT-TOPLOCK: .63 NC GR5 ZP	4
20	57853	WLDMT-SUPPORT	1
21	1011625	BOLT-HEX: .75 X 4.00 NC GR5 ZP	2
22	57827	SLIDE-CHAIN	1
23	1011601	BOLT-HEX: .38 X 1.25 NC GR5 ZP	2
24	1014608	WASHER-FLAT: SAE .38 ZP	2
25	1016999	NUT-TOPLOCK: .38 NC GR5 ZP	2



TANK ASSEMBLY

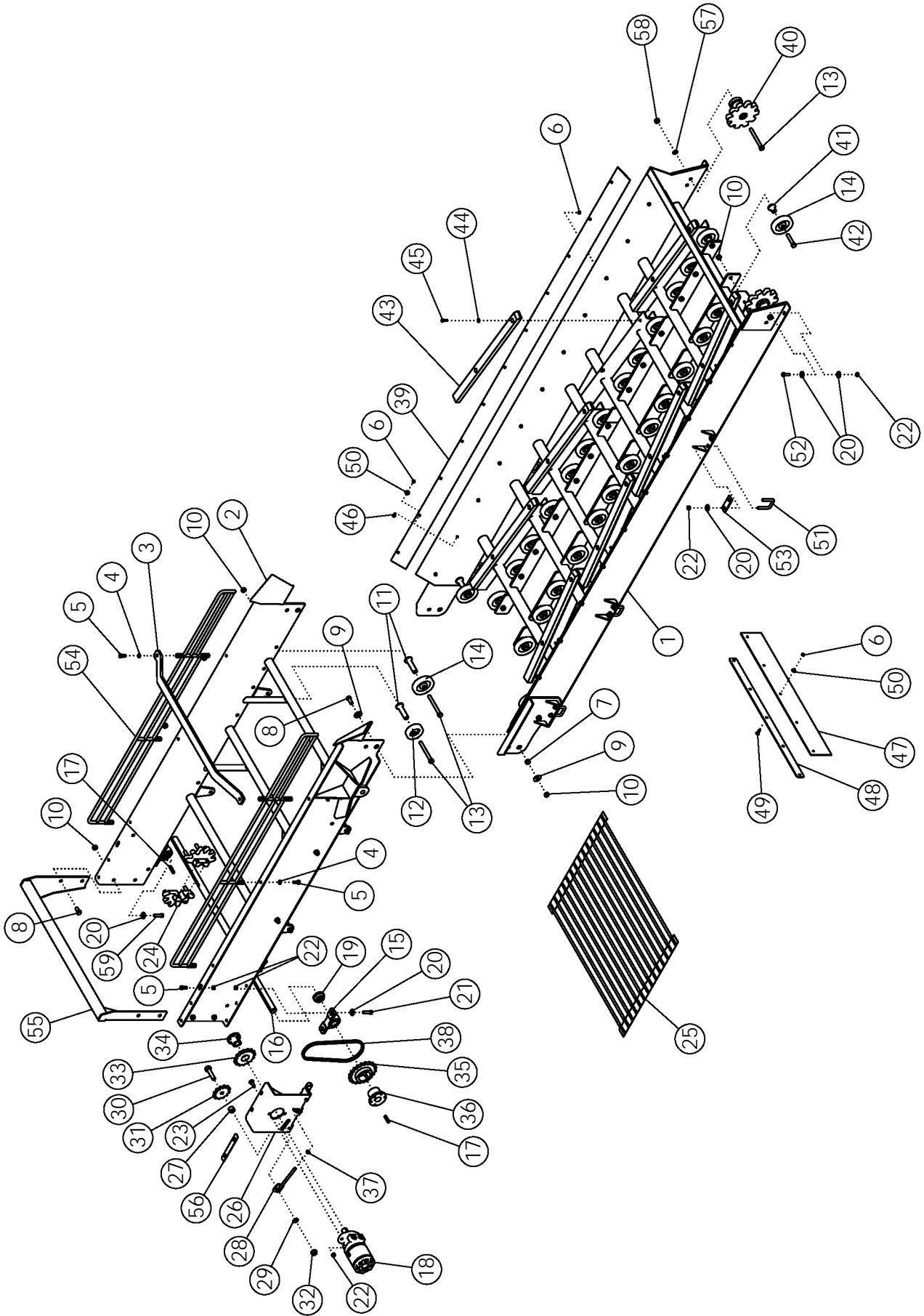
ITEM	PART NO.	DESCRIPTION	QTY
1	64724	WLDMT-TANK 6R	1
2	53825	BOGIE WHEEL 5"	2
3	1013068	BOLT-HEX: .63 X 6.00 NC GR5 ZP	2
4	1016595	NUT-TOPLOCK: .63 NC GR5 ZP	10
5	54788	WLDMT-LOCK SLIDE	2
6	1020685	WASHER-FLAT: 1.00	4
7	1016944	PIN-COTTER: .25 X 2.00 ZP	4
8	56836	TUBE-LOCK	2
9	54785	WLDMT-LOCK BRACKET	2
10	1014349	BOLT-HEX: .63 X 1.50 NC GR5 ZP	4
11	1030947	PIN-HITCH: .63 X 4.00 ZP W/HAIRPIN	2
12	64739	ASSY-LADDER & DECALS	1
13	1014443	WASHER-FLAT: .50 ZP	16
14	1011607	BOLT-HEX: .50 X 1.50 NC GR5 ZP	4
15	1027461	NUT-TOPLOCK: .50 NC GR5 ZP	18
16	1011600	BOLT-HEX: .38 X 1.00 NC GR5 ZP	6
17	1016999	NUT-TOPLOCK: .38 NC GR5 ZP	6
18	64749	TUBE-STRIKER	1
19	64574	PLATE-STRIKER	1
20	64746	PLATE-TANK TO BOOM REAR	1
21	64747	PLATE-TANK TO BOOM FRONT	1
22	57917	PLATE-EXTENSION	2
23	64192	STAND-OFF 4"	2
24	1017719	BOLT-HEX: .50 X 3.25 NC GR5 ZP	4
25	1011611	BOLT-HEX: .50 X 3.00 NC GR5 ZP	2
26	1011828	WASHER-FLAT: .38 ZP	6
27	1014000	BOLT-HEX: .63 X 3.50 NC GR5 ZP	8
28	1013024	WASHER-FLAT: .63 ZP	16
29	65658	U-BOLT: .500 X 3 X 2.063 X 3	4



ELEVATOR AND BOOM ASSEMBLY

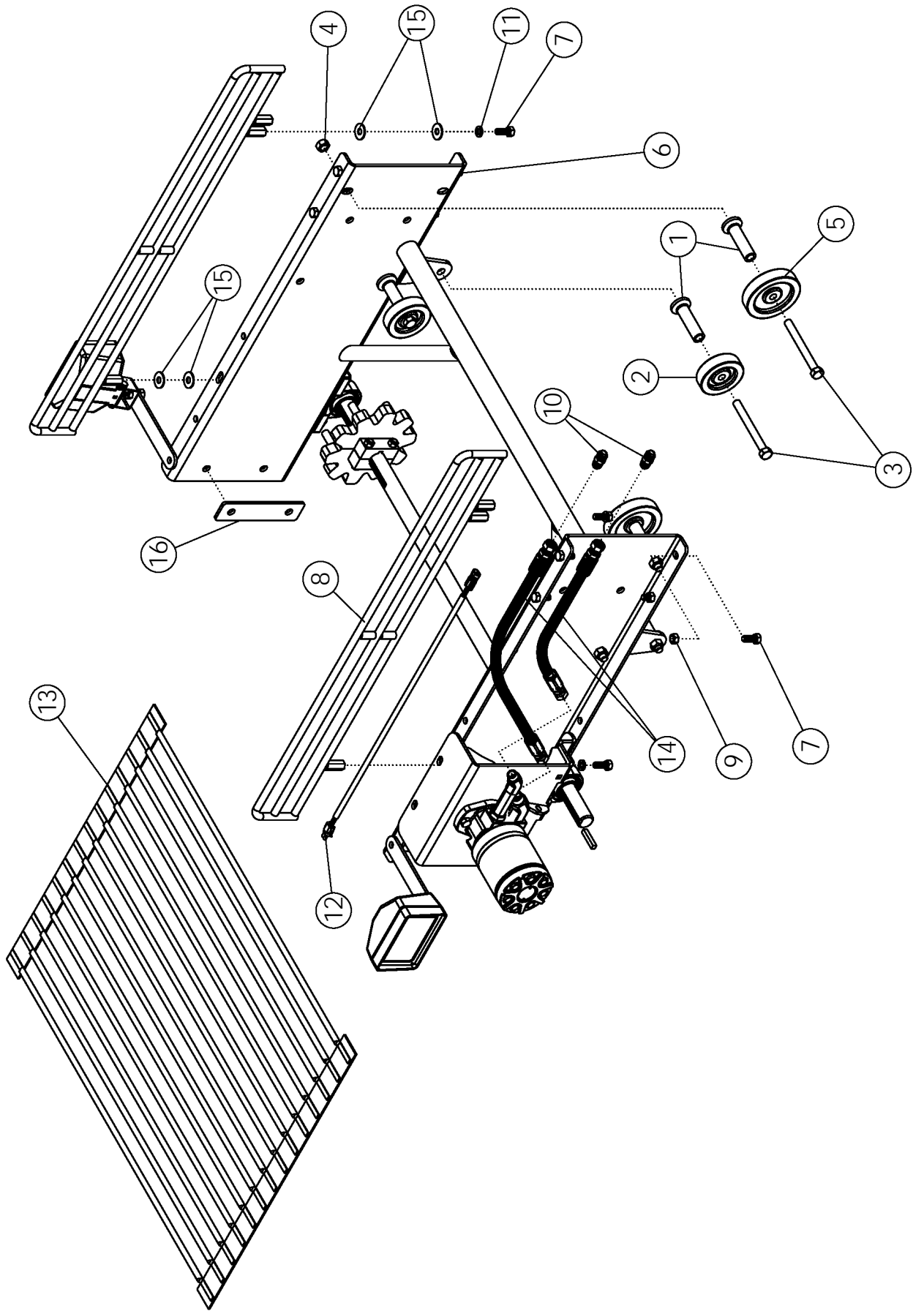
ITEM	PART NO.	DESCRIPTION	QTY
1	64725	WLDMT-ELEV 6R	1
2	53450	WLDMT-ELEVATOR BOOM	1
3	54803	CROSS BRACE-BOOM	1
4	1011581	WASHER-LOCK: .50 ZP	8
5	1011606	BOLT-HEX: .50 X 1.25 NC GR5 ZP	10
6	1016999	NUT-TOPLOCK: .38 NC GR5 ZP	43
7	53449	SLEEVE-HINGE	2
8	1014349	BOLT-HEX: .63 X 1.50 NC GR5 ZP	6
9	1013024	WASHER-FLAT: .63 ZP	4
10	1016595	NUT-TOPLOCK: .63 NC GR5 ZP	44
11	64192	STAND OFF: .63 X 4.00	12
12	53854	BOGIE WHEEL 4"	4
13	1013068	BOLT-HEX: .63 X 6.00 NC GR5 ZP	14
14	53825	BOGIE WHEEL 5"	34
15	52405	BEARING-PILLOW 1.75	2
16	68650	SHAFT HEAD 1.75	1
17	50152	KEY .38 X .38 X 2.00	3
18	57686	MOTOR-HYDRAULIC 32.3IN ³ /REV	1
19	52382	SEAL PROTECTOR 1.750	2
20	1014443	WASHER-FLAT: .50 ZP	24
21	1017708	BOLT-HEX: .50 X 2.25 NC GR5 ZP	2
22	1027461	NUT-TOPLOCK: .50 NC GR5 ZP	22
23	1011660	BOLT-CRG: .50 X 1.50 NC GR5 ZP	2
24	68659	SPROCKET-SPLIT 50MM	2
	68658	SPROCKET-SPLIT 56MM	
25	68075	BELT-50MM .50 X 42 X 238 LPR	1
	68074	BELT-56MM .50 X 42 X 212 LPR	
26	64627	WLDMT-REDUCTION MOUNT	1
27	58086	SPACER-CHAIN IDLER ZP	1
28	63876	TENSIONER ZP	1
29	1012061	WASHER-LOCK: .75 ZP	1
30	1012059	BOLT-HEX: .75 X 3.00 NC GR5 ZP	1
31	56334	SPROCKET-IDLER 8012	1
32	1011620	NUT-HEX: .75 NC GR2 ZP	1
33	64155	SPROCKET H80-P15	1
34	53719	HUB P1 1.25	1
35	56650	SPROCKET H80-Q20	1
36	50335	HUB Q1 1.75	1
37	1011591	NUT-JAM: .50 NC ZP	2
38	64654	CHAIN-ROLLER 80H-1R-038	1
	64675	LINK OFFSET 80H	AR

CONTINUED



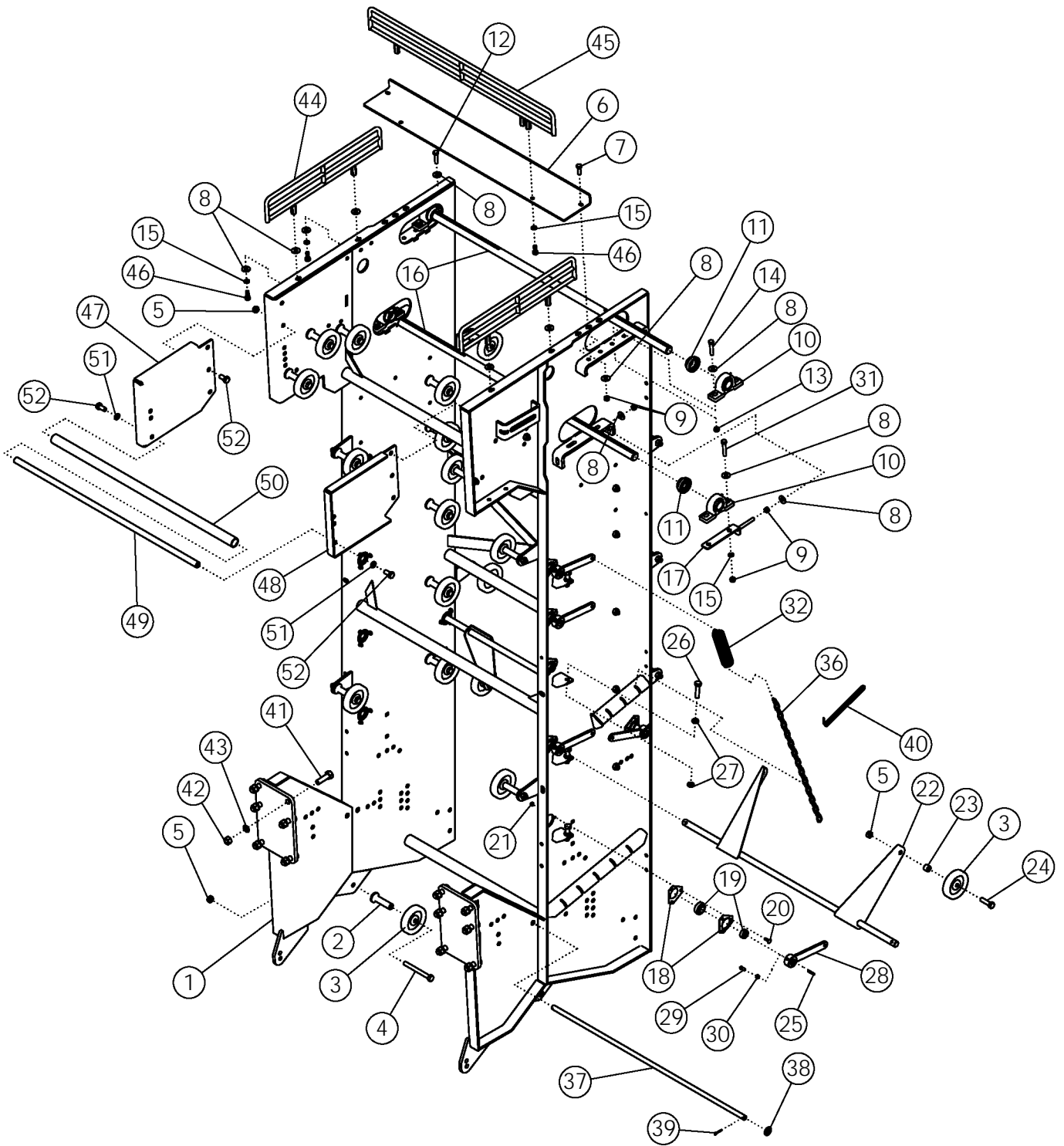
ELEVATOR AND BOOM ASSEMBLY (CONTINUED)

ITEM	PART NO.	DESCRIPTION	QTY
39	64550	BELT PROTECTOR	2
40	63813	SPROCKET-IDLER 50MM 10T	2
	54824	SPROCKET-IDLER 56MM	
41	58971	STAND OFF 1.50"	26
42	65825	BOLT-HEX: .63 X 3.25 NC GR5 ZP	26
43	56774	PLASTIC SLIDE	8
44	1014608	WASHER-FLT: SAE .38 ZP	16
45	1011601	BOLT-HEX: .38 X 1.25 NC GR5 ZP	16
46	1011599	BOLT-HEX: .38 X .75 NC GR5 ZP	22
47	64609	FLAP-ELEVATOR	1
48	64608	STRIP-BOLTING	1
49	1016362	BOLT-CRG: .38 X 1.25 NC GR5 ZP	5
50	1011828	WASHER-FLAT: .38 ZP	27
51	65658	U-BOLT: .50 X 3 X 2.06 X 3	6
52	1011607	BOLT-HEX: .50 X 1.50 NC GR5 ZP	2
53	64748	PLATE-ELEVATOR BACKING	4
54	64744	WLDMT-BOOM EXTENSION	2
55	64578	WLDMT-BOOM END SUPPORT	1
56	64732	PLATE-SHIM	AR
57	1011813	WASHER-LOCK: .63 ZP	2
58	1011578	NUT-HEX: .63 NC GR2 ZP	2
59	1011608	BOLT-HEX: .50 X 1.75 NC GR5 ZP	2



BOOM EXTENSION 50MM/56MM (OPTIONAL)

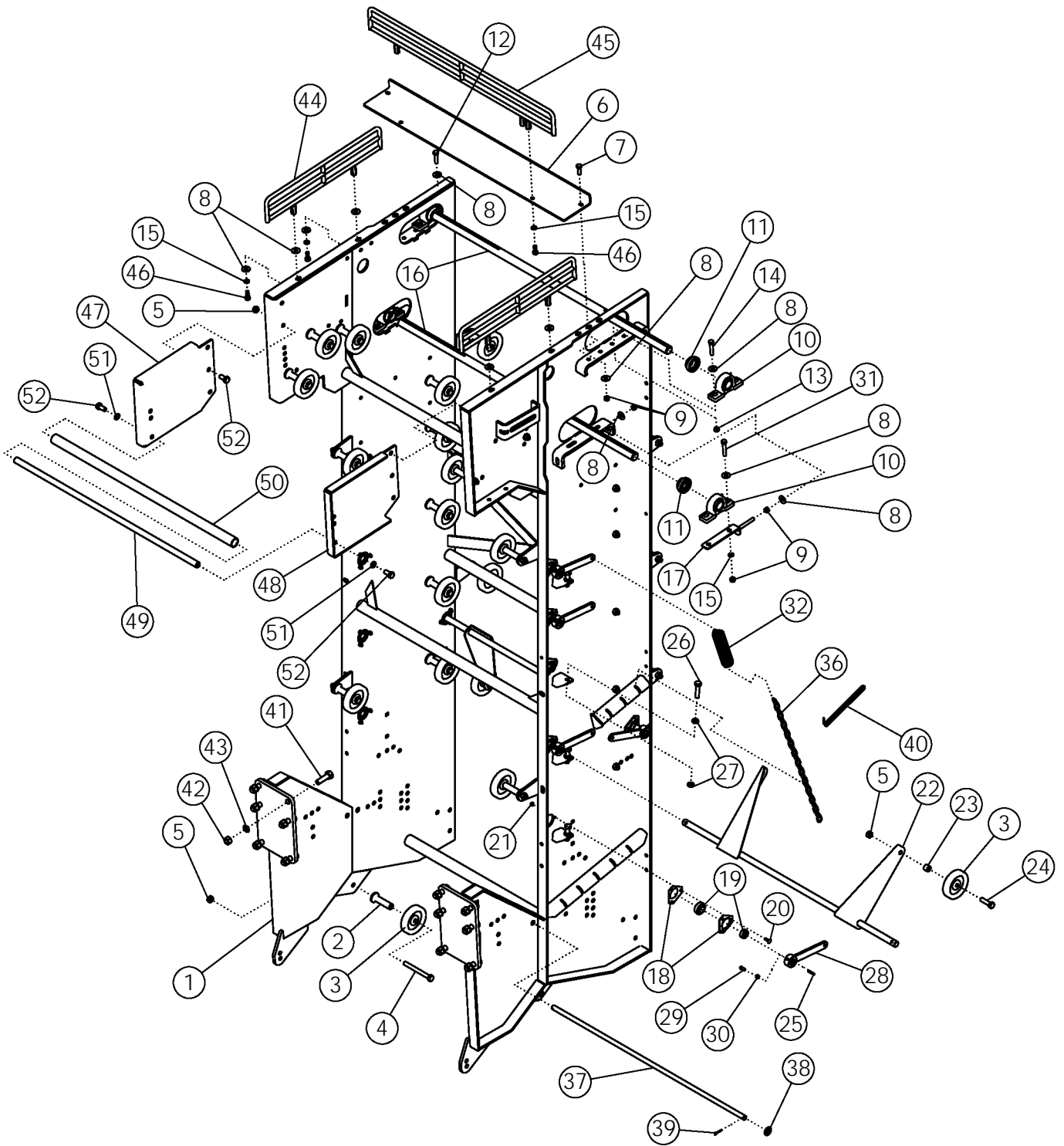
ITEM	PART NO.	DESCRIPTION	QTY
1	64192	STAND OFF	6
2	53854	BOGIE WHEEL 4"	4
3	1013068	BOLT-HEX: .63 X 6.00 NC GR5 ZP	6
4	1016595	NUT-TOPLOCK: .63 NC GR5 ZP	6
5	53825	BOGIE WHEEL 5"	2
6	68708	WLDMT-BOOM EXTENSION	1
7	1011606	BOLT-HEX: .50 X 1.25 NC GR5 ZP	12
8	58898	WLDMT-BOOM EXT. RAIL	2
9	1027461	NUT-TOPLOCK: .50 NC GR5 ZP	8
10	58194	FTG-ADAPTER: 8MJ-8MJ	2
11	1011581	WASHER-LOCK: .50 ZP	4
12	64077	HARNES-EXTENSION: 32" 2 WIRE	2
13	68077	BELT-50MM: .50 X 42 X 30LPR	1
	68076	BELT-56MM: .50 X 42 X 27LPR	
14	57676	HOSE: .50 X 31 8FJX-8FJX	2
15	1014443	WASHER-FLAT: .50 ZP	9
16	68710	PLATE-BOOM SUPPORT SPACER	AR



REAR SCRUB

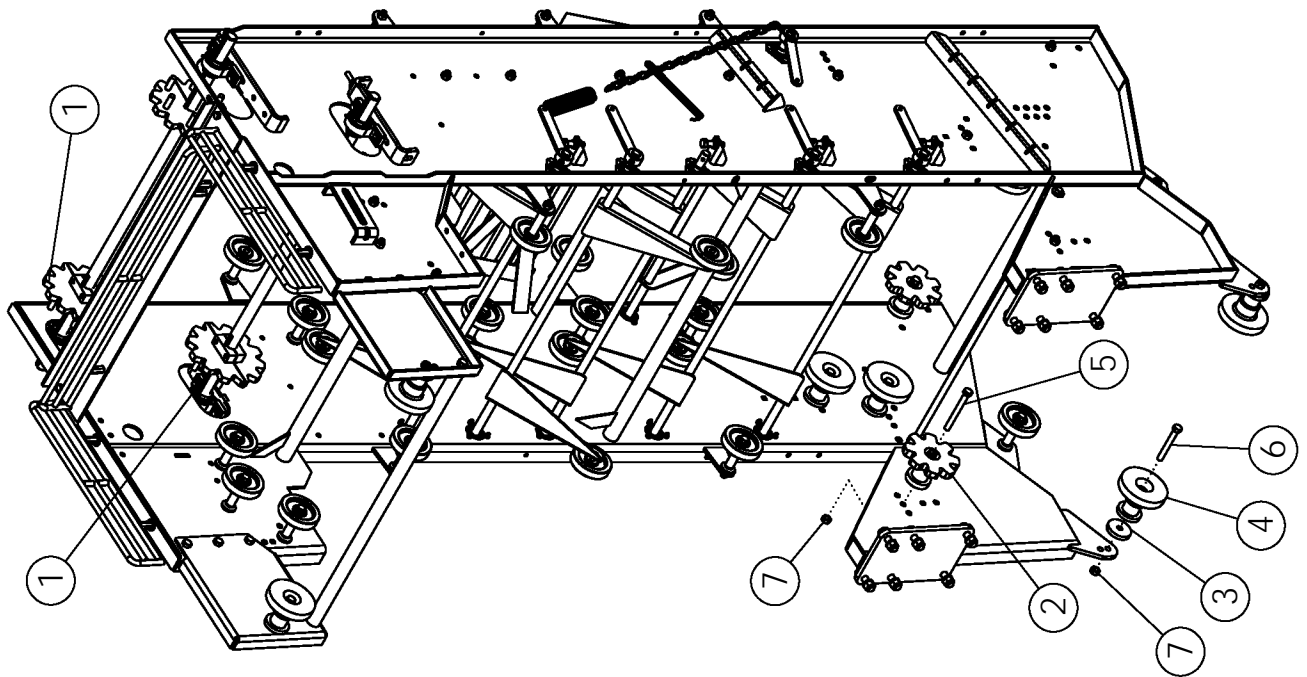
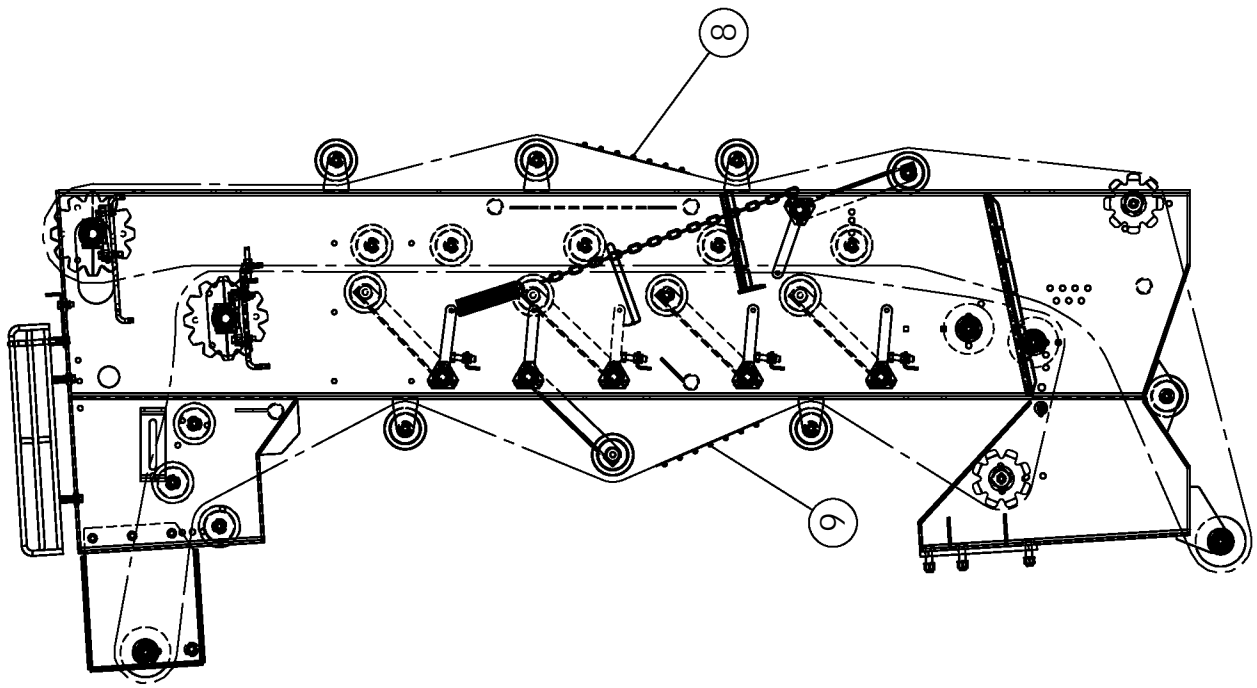
ITEM	PART NO.	DESCRIPTION	QTY
1	57911	WLDMT-REAR SCRUB	1
2	64192	STAND OFF	28
3	53825	BOGIE WHEEL 5"	40
4	1013068	BOLT-HEX: .63 X 6.00 NC GR5 ZP	28
5	1016595	NUT-TOPLOCK: .63 NC GR5 ZP	46
6	57916	BAR-STRIPPER	1
7	1011607	BOLT-HEX: .50 X 1.50 NC GR5 ZP	2
8	1014443	WASHER-FLAT: .50 ZP	22
9	1011577	NUT-HEX: .50 NC GR2 ZP	10
10	52405	PILLOW BLOCK BEARING 1.75	4
11	52382	SEAL PROTECTOR 1.75	4
12	1011609	BOLT-HEX: .50 X 2.00 NC GR5 ZP	2
13	1027461	NUT-TOPLOCK: .50 NC GR5 ZP	4
14	1011610	BOLT-HEX: .50 X 2.50 NC GR5 ZP	4
15	1011581	WASHER-LOCK: .50 ZP	10
16	68650	SHAFT-HEAD 1.75	2
17	68655	TIGHTENER-ZP	2
18	53945	TRIANGLE FLANGETTE	24
19	53944	BEARING-INSERT 1" WITH LOCKING COLLAR	12
20	1017255	BOLT-CRG: .31 X 1.00	36
21	1030700	NUT-TOPLOCK: .31 NC GR5 ZP	36
22	53401	WLDMT-PENDULUM	6
23	64253	SPACER ZP	12
24	1017526	BOLT-HEX: .63 X 2.25 NC GR5 ZP	12
25	54638	KEY .25 X .25 X 1.38	12
26	1013023	BOLT-HEX: .63 X 2.50 NC GR5 ZP	8
27	1026259	NUT-JAM: .63 NC GR2 ZP	16
28	50718	ARM-ZP	12
29	50813	SCREW-SET: SQ HD .38 X 1.00 ZP	12
30	1013519	NUT-JAM: .38 NC GR2 ZP	12
31	1016858	BOLT-HEX: .50 X 2.75 NC GR5 ZP	2
32	53159	SPRING	12
33	57937	CHAIN-LINK: .19 X 8.00 (NOT SHOWN)	4
34	57938	CHAIN-LINK: .19 X 20.00 (NOT SHOWN)	2
35	57939	CHAIN-LINK: .19 X 24.00 (NOT SHOWN)	4
36	57940	CHAIN-LINK: .19 X 30.00	2
37	62896	ROD-SCRUB CLEANER	1
38	1012634	WASHER-FLAT: SAE .75 ZP	2
39	1011984	PIN-COTTER: .16 X 1.50 ZP	2
40	1017248	TIE, CABLE	4

CONTINUED



REAR SCRUB (CONTINUED)

ITEM	PART NO.	DESCRIPTION	QTY
41	1016598	BOLT- HEX: .75 X 2.50 NC GR5 ZP	12
42	1011620	NUT-HEX: .75 NC	12
43	1012061	WASHER-LOCK: .75 ZP	12
44	58900	WLDMT-SCRUB EXT.-SIDE	2
45	58898	WLDMT-SCRUB EXT-REAR	1
46	1011606	BOLT-HEX: .50 X 1.25 NC GR5 ZP	6
47	54805	REAR SCRUB EXTENSION RH	1
48	54778	REAR SCRUB EXTENSION LH	1
49	56754	PIPE-THREADED	1
50	56773	PIPE-PLASTIC	1
51	1011813	WASHER-LOCK: .63 ZP	2
52	1032509	BOLT-HEX: .63 X 1.25 NC GR5 ZP	8



REAR SCRUB: BELTED CHAIN 56MM

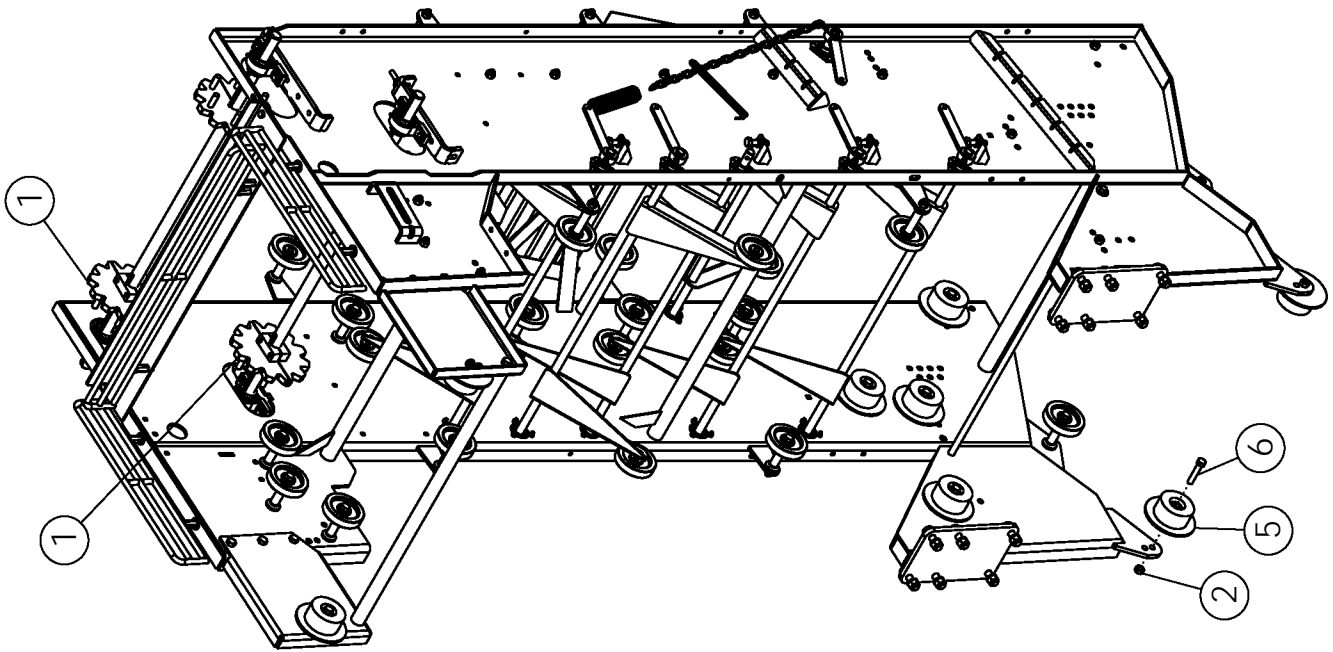
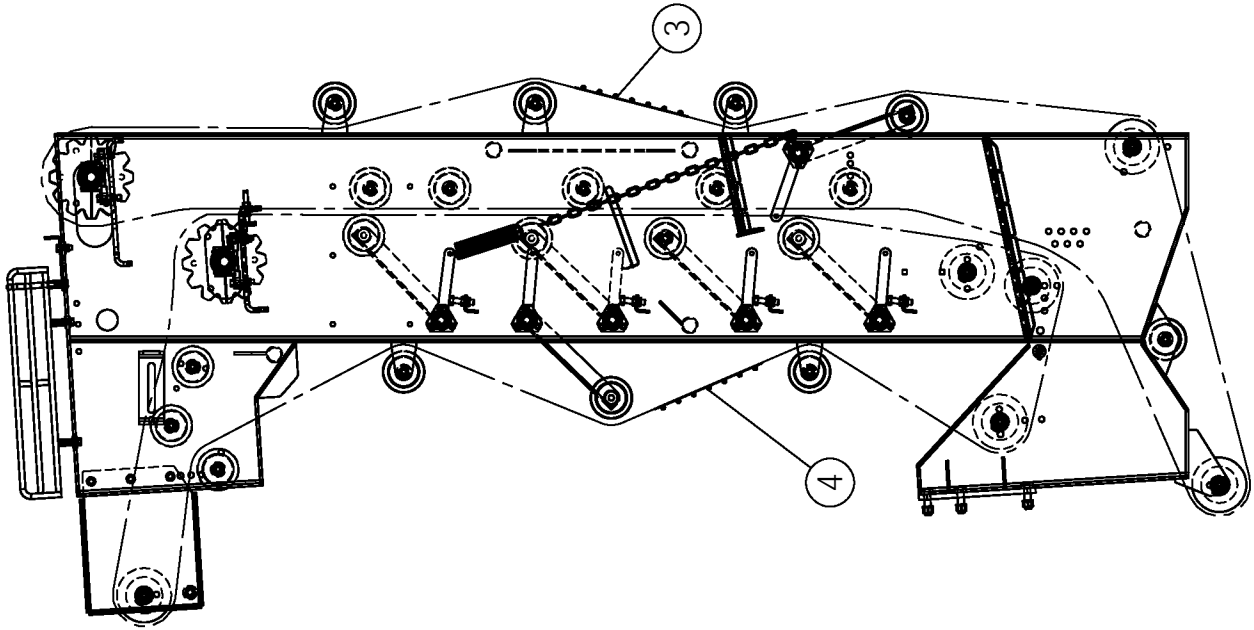
ITEM	PART NO.	DESCRIPTION	QTY
1	68651	SPROCKET-SPLIT 56MM	4
	68667*	SPROCKET-56MM 12T URETHANE	
2	54824	SPROCKET-IDLER 56MM	4
3	62932	PLATE-SHIM	8
4	54042	ROLLER-FLANGE 6"	8
5	1013068	BOLT-HEX: .63 X 6.00 NC GR5 ZP	4
6	1013816	BOLT-HEX: .63 X 5.00 NC GR5 ZP	8
7	1016595	NUT-TOPLOCK: .63 NC GR5 ZP	12
8	53842	BELT-56MM 1/2 X 42 X 156 LPR	1
9	62141	BELT-56MM 1/2 X 42 X 136 LPR	1

* Urethane option only

REAR SCRUB: BELTED CHAIN 50MM

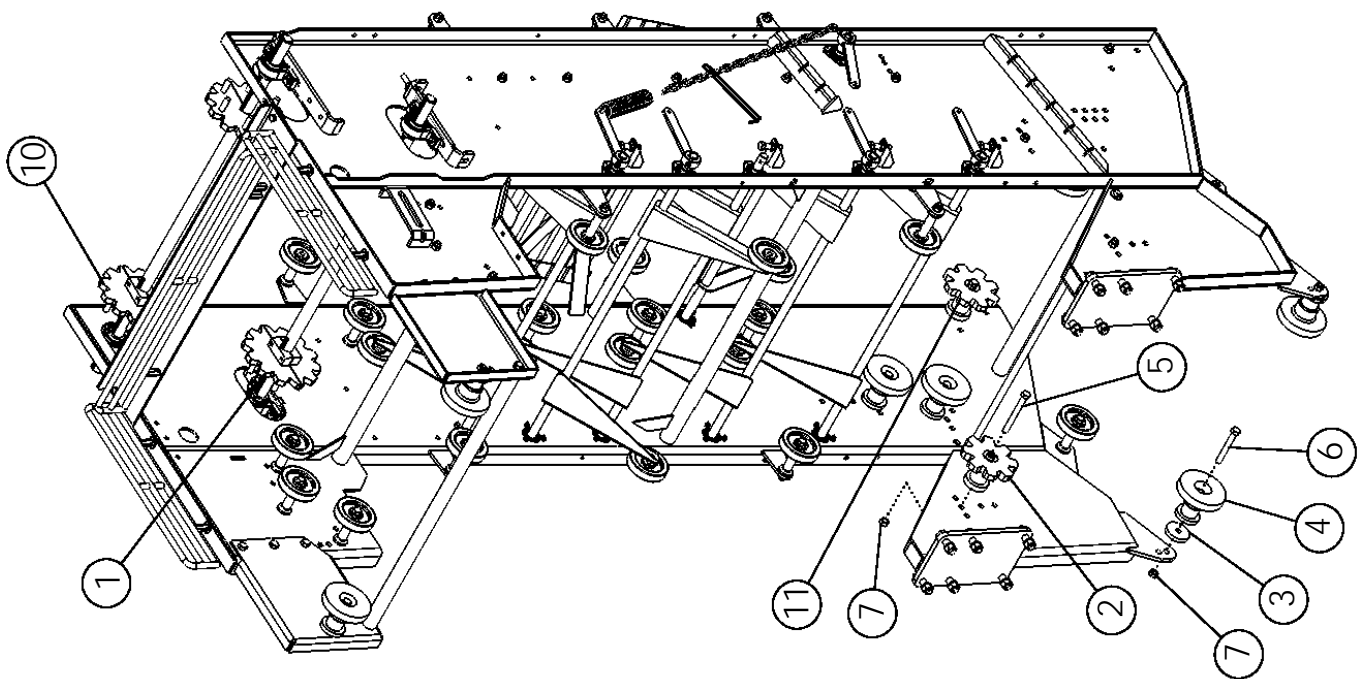
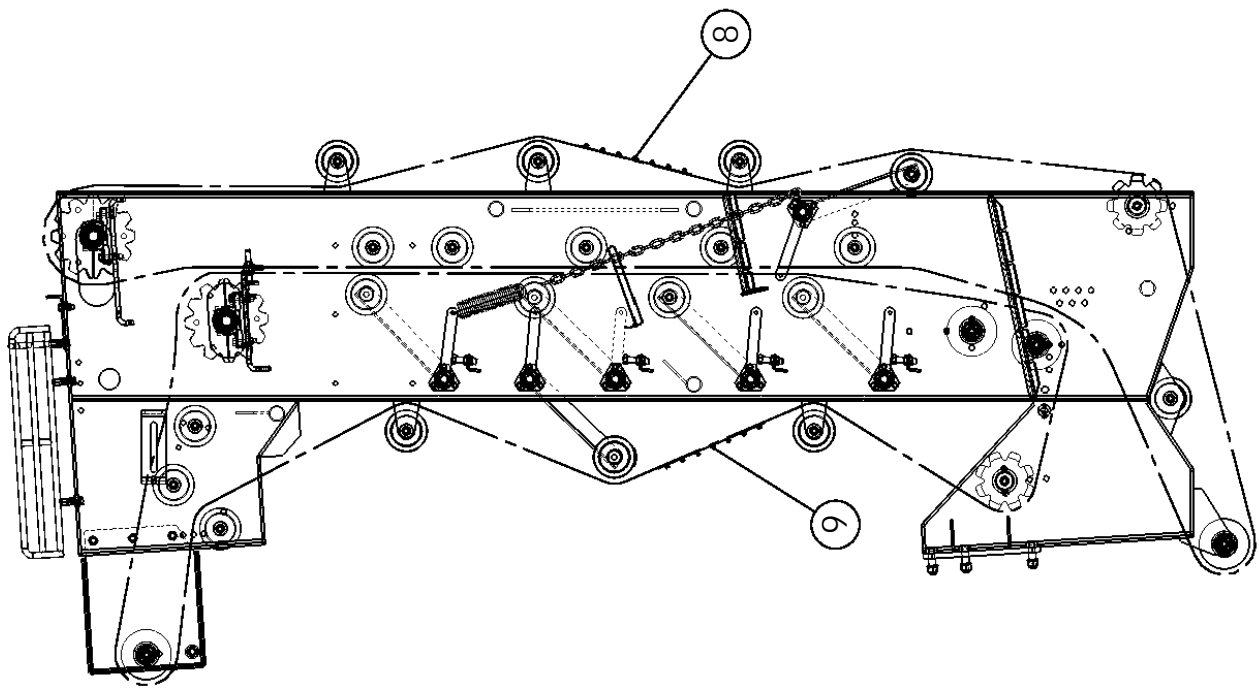
ITEM	PART NO.	DESCRIPTION	QTY
1	68657	SPROCKET-SPLIT 50MM	4
	68666*	SPROCKET-50MM 12T URETHANE	
2	63813	SPROCKET-IDLER 50MM	4
3	62932	PLATE-SHIM	8
4	54042	ROLLER-FLANGE 6"	8
5	1013068	BOLT-HEX .63 X 6.00 NC GR5 ZP	4
6	1013816	BOLT-HEX .63 X 5.00 NC GR5 ZP	8
7	1016595	NUT-TOPLOCK: .63 NC GR5 ZP	12
8	63815	BELT-50MM 1/2 X 42 X 175 LPR	1
9	63814	BELT-50MM 1/2 X 42 X 154 LPR	1

* Urethane option only



REAR SCRUB: 56MM BELTED CHAIN FLANGE

ITEM	PART NO.	DESCRIPTION	QTY
1	68651	SPROCKET-SPLIT 56MM	4
2	1016595	NUT-TOPLOCK: .63 NC GR5 ZP	12
3	53842	BELT-56MM 1/2 X 42 X 156 LPR	1
4	62141	BELT-56MM 1/2 X 42 X 136 LPR	1
5	59057	ROLLER-FLANGE 6.5"	12
6	1030704	BOLT-HEX: .63 X 3.25 NC GR5 ZP	12

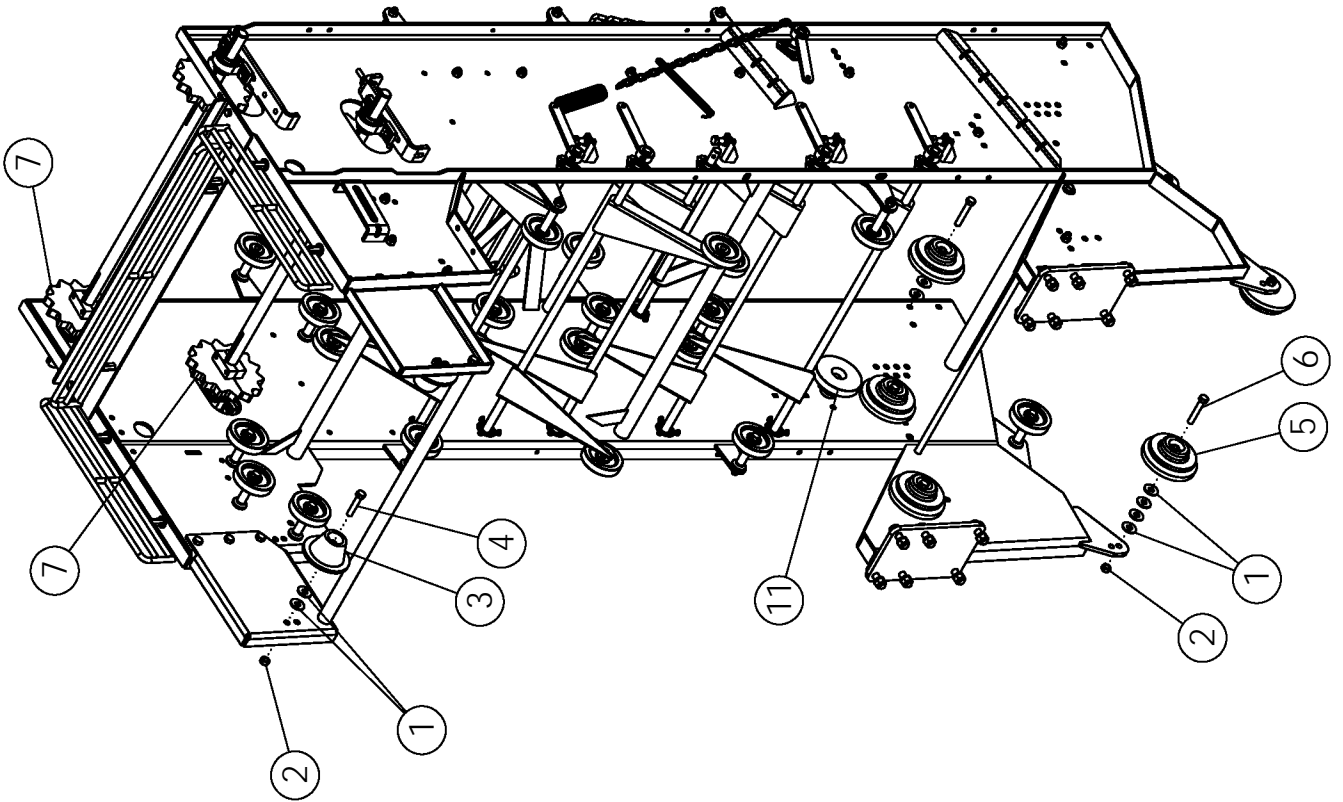
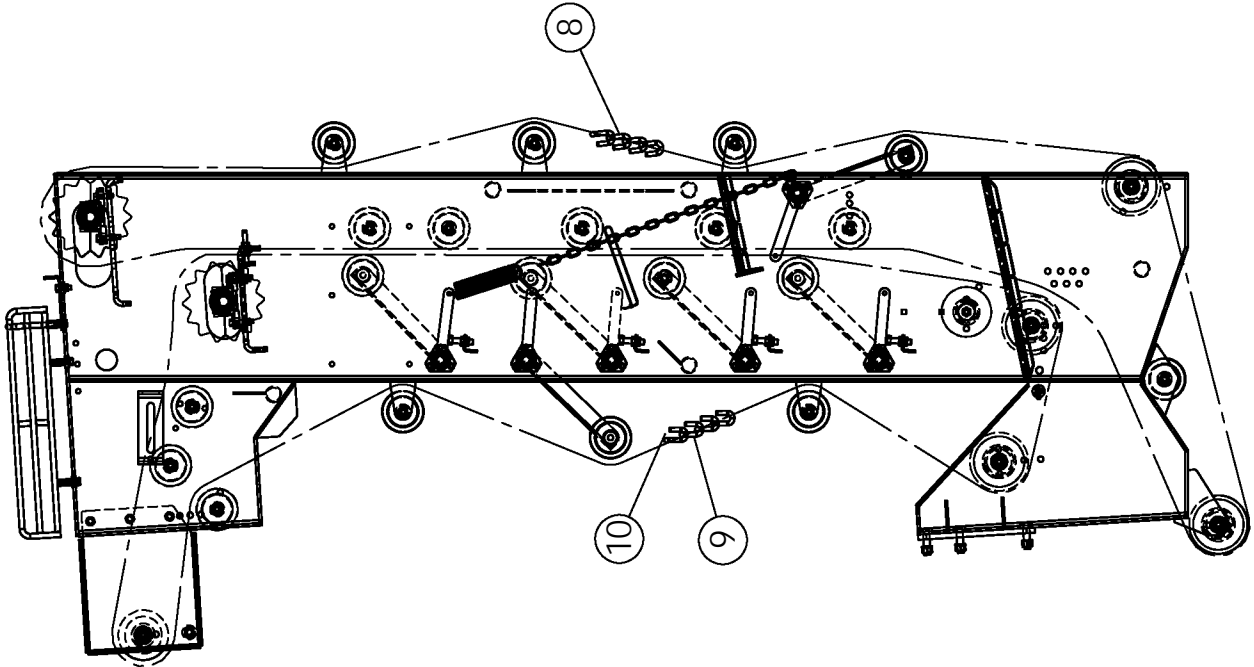


**REAR SCRUB: BELTED CHAIN 50 MM INSIDE
56 MM OUTSIDE W/ URETHANE**

ITEM	PART NO.	DESCRIPTION	QTY
1	68666	SPROCKET 50MM 12T URETHANE	2
2	63813	SPROCKET-IDLER 50MM 10T	2
3	62932	PLATE-SHIM .50	8
4	54042	ROLLER-STEP 6"	8
5	1013068	BOLT-HEX: .63 X 6.00 NC GR5 ZP	4
6	1013816	BOLT-HEX: .63 X 5.00 NC GR5 ZP	8
7	1016595	NUT-TOPLOCK: .63 NC GR5 ZP	12
8	53842	BELT-56MM 1/2 X 42 X 156 LPR	1
9	63814	BELT-50MM 1/2 X 42 X 154 LPR	1
10	68667	SPROCKET-56MM 12T URETHANE	2
11	54824	SPROCKET-IDLER 56MM	2

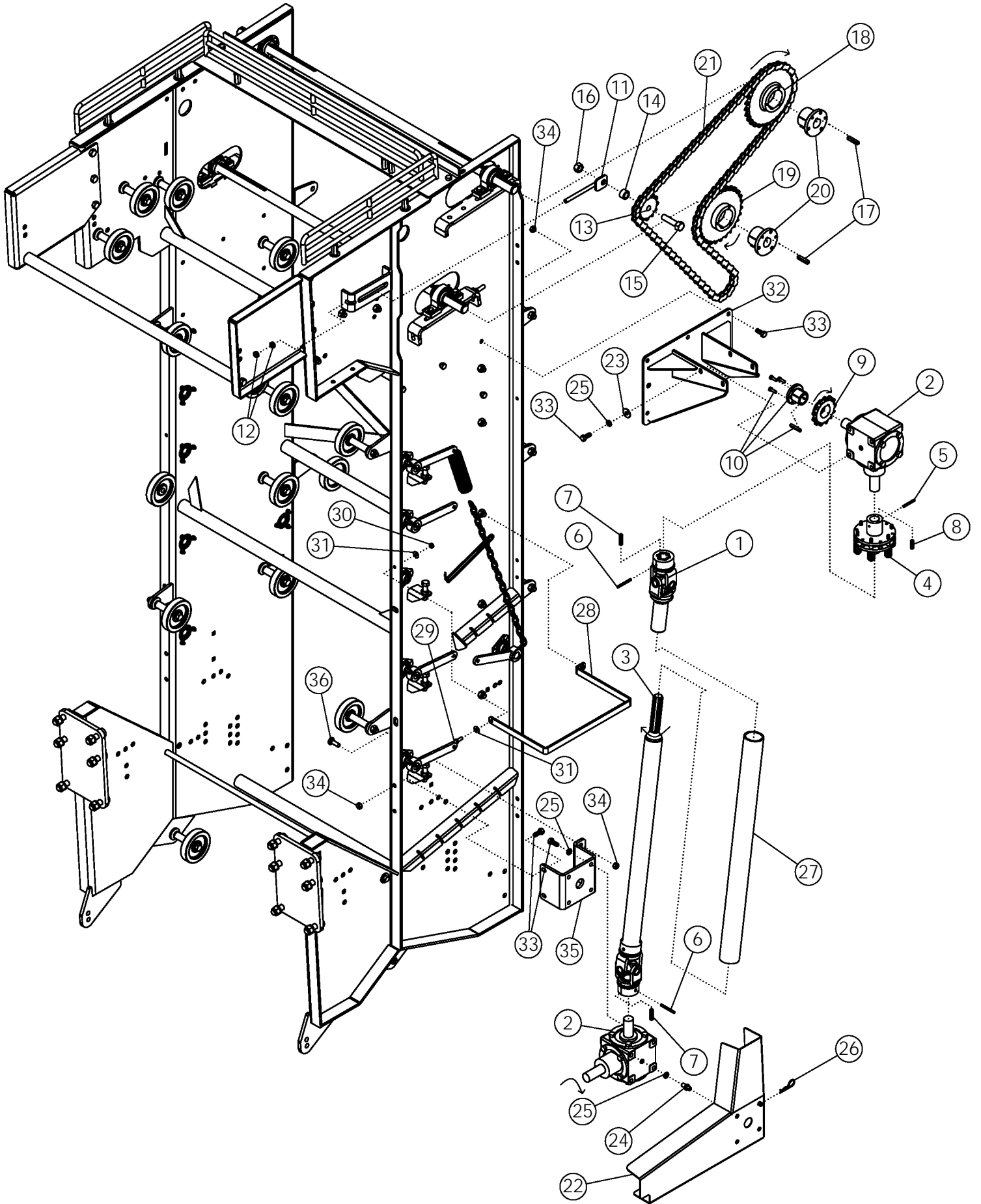
**REAR SCRUB: BELTED CHAIN 56 MM INSIDE
50 MM OUTSIDE**

ITEM	PART NO.	DESCRIPTION	QTY
1	68651	SPROCKET-SPLIT 56MM	2
2	54824	SPROCKET-IDLER 56MM	2
3	62932	PLATE-SHIM .50	8
4	54042	ROLLER-STEP 6"	8
5	1013068	BOLT-HEX: .63 X 6.00 NC GR5 ZP	4
6	1013816	BOLT-HEX: .63 X 5.00 NC GR5 ZP	8
7	1016595	NUT-TOPLOCK: .63 NC GR5 ZP	12
8	63815	BELT-50MM 1/2 X 42 X 175 LPR	1
9	62141	BELT-56MM 1/2 X 42 X 136 LPR	1
10	68657	SPROCKET-SPLIT 50MM	2
11	63813	SPROCKET-IDLER 50MM 10T	2



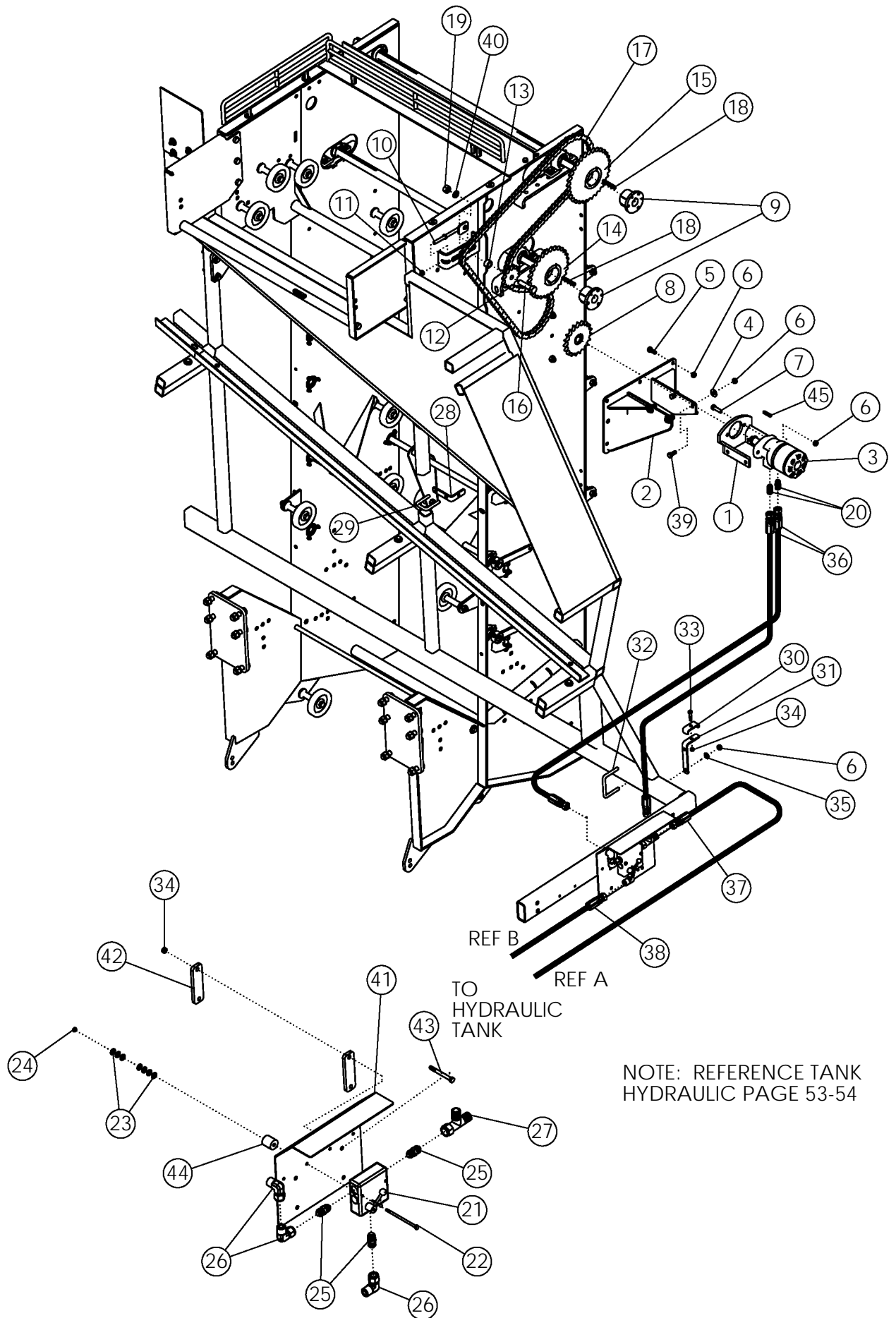
REAR SCRUB: HOOK CHAIN 2.38

ITEM	PART NO.	DESCRIPTION	QTY
1	1013024	WASHER-FLAT: .63 ZP	AR
2	1016595	NUT-TOPLOCK: .63 NC GR5 ZP	12
3	53950	ROLLER-CONE 6"	2
4	1030704	BOLT-HEX: .63 X 3.25 NC GR5 ZP	2
5	53951	ROLLER-STEP FLANGE 7"	8
6	59093	BOLT-HEX: .63 X 3.75 NC GR5 ZP	10
7	68660	SPROCKET-SPLIT 2.375	4
8	53850	CHAIN 1/2 X 42 X 2.38 X 37 LPR	4
9	53851	CHAIN 1/2 X 42 X 2.38 X 38 LPR	3
10	54829	CHAIN 1/2 X 42 X 2.38 X 13LPR	1
11	54042	ROLLER-STEP 6"	2



REAR SCRUB DRIVE: GEARBOX

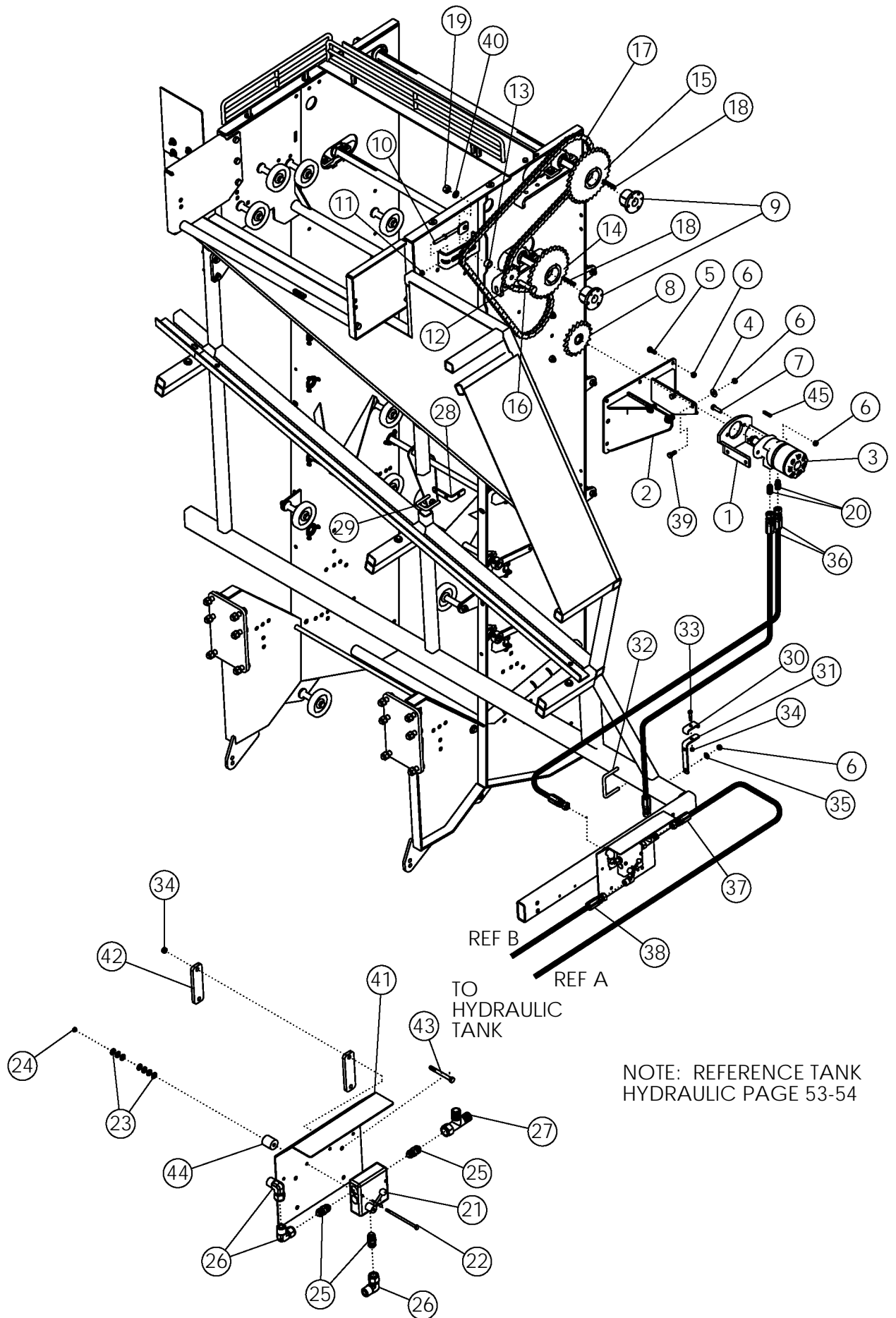
ITEM	PART NO.	DESCRIPTION	QTY
1	57925	COUPLER-DRIVE BLACK	1
2	63848	GEARBOX-PRAIRIE (1:1.35) 6001 BLACK	2
3	57923	SHAFT-DRIVE: 49.25"	1
4	57926	CLUTCH-SLIP	1
5	58290	PIN-ROLL: .25 X 2.25 NP	1
6	58489	PIN-ROLL: .25 X 2.75 NP	2
7	58396	KEY .31 X .31 X 1.75	2
8	58397	KEY .31 X .31 X 1.38	1
9	56339	SPROCKET H80-P13	1
10	57943	HUB P1 1.38	1
11	63876	TENSIONER ZP	1
12	1011591	NUT-JAM: .50 NC ZP	2
13	56334	SPROCKET-IDLER 8012	1
14	58086	SPACER-CHAIN IDLER ZP	1
15	1012059	BOLT-HEX: .75 X 3.00 NC GR5 ZP	1
16	1017000	NUT-TOPLOCK: .75 NC GR5 ZP	1
17	50152	KEY .38 X .38 X 2.00	2
18	57942	SPROCKET H80-Q29	1
19	57941	SPROCKET H80-Q27	1
20	50335	HUB Q1 1.75	2
21	63549	CHAIN-ROLLER 80-1R-110	1
22	57894	WLDMT-SHIELD	1
23	1014443	WASHER-FLAT: .50 ZP	4
24	59106	STUD-SCRUB SHIELD ZP	4
25	1011581	WASHER-LOCK: .50 ZP	12
26	1029164	PIN-HAIR: .19 X 3.00 ZP	4
27	58015	SLEEVE-PLASTIC	1
28	58456	BAR-GUARD	1
29	1011600	BOLT-HEX: .38 X 1.00 NC GR5 ZP	1
30	1016999	NUT-TOPLOCK: .38 NC GR5 ZP	1
31	1011828	WASHER-FLAT: .38 ZP	2
32	62103	WLDMT-GEARBOX MOUNT	1
33	1011606	BOLT-HEX: .50 X 1.25 NC GR5 ZP	15
34	1027461	NUT-TOPLOCK: .50 NC GR5 ZP	9
35	59432	PLATE-GEARBOX MOUNT	1
36	1011660	BOLT-CRG: .50 X 1.50 NC GR5 ZP	2



REAR SCRUB DRIVE: SINGLE MOTOR

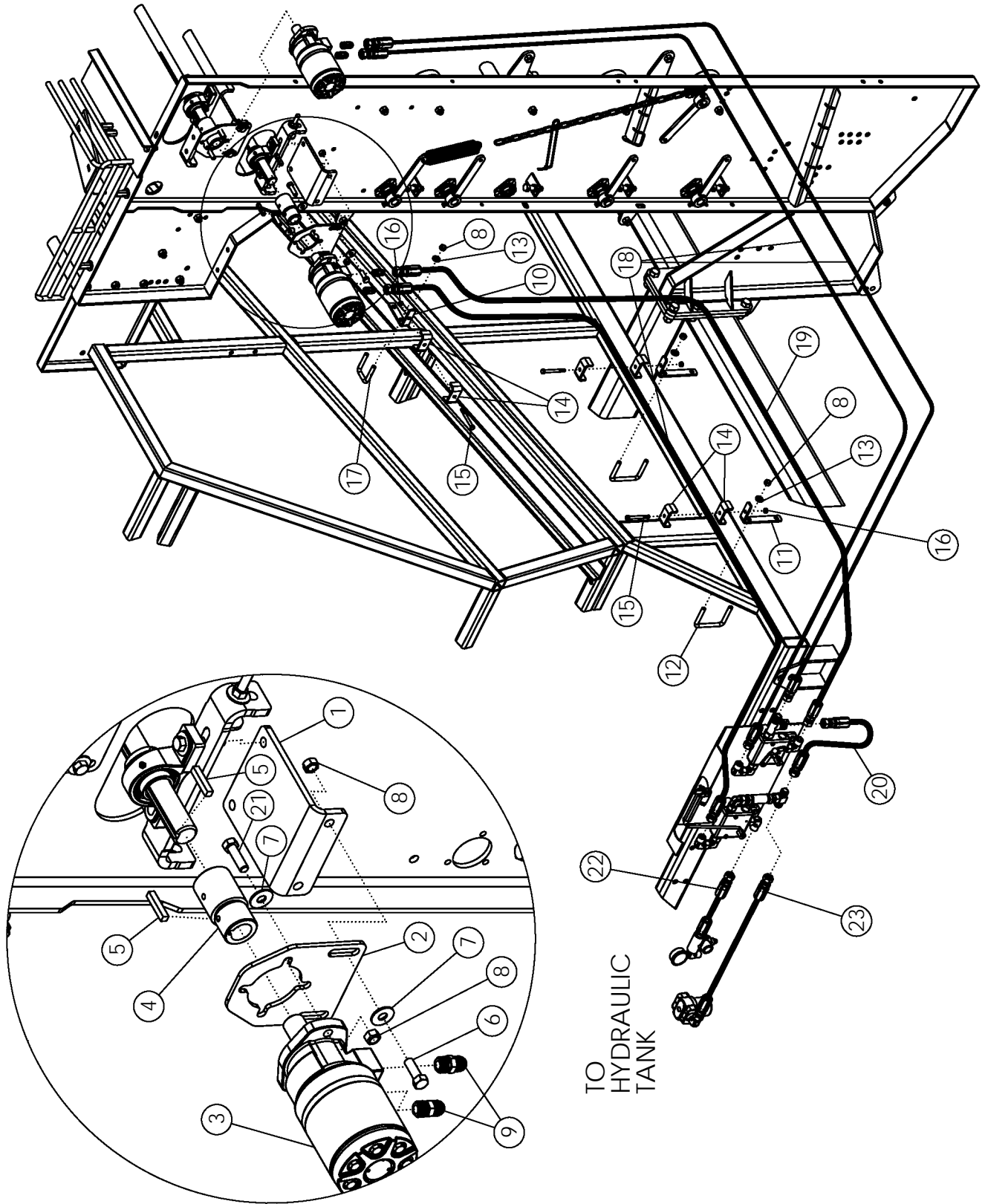
ITEM	PART NO.	DESCRIPTION	QTY
1	58102	WLDMT-MOTOR BRACKET	1
2	62103	WLDMT-GEARBOX MOUNT	1
3	58987	MOTOR-HYDRAULIC 20.6IN ³ /REV	1
4	1014443	WASHER-FLAT: .50 ZP	4
5	1011606	BOLT-HEX: .50 X 1.25 NC GR5 ZP	5
6	1027461	NUT-TOPLOCK: .50 NC GR5 ZP	17
7	1011608	BOLT-HEX: .50 X 1.75 NC GR5 ZP	2
8	62125	SPROCKET-8019X1.25 BORE .313 KEY	1
9	50335	HUB Q1 1.75	2
10	63876	TENSIONER ZP	1
11	1011577	NUT-HEX: .50 NC GR2 ZP	2
12	56334	SPROCKET-IDLER 8012	1
13	58086	SPACER-CHAIN IDLER ZP	1
14	59051	SPROCKET H80-Q30	1
15	59052	SPROCKET H80-Q32	1
16	1012059	BOLT- HEX: .75 X 3.00 NC GR5 ZP	1
17	68784	CHAIN-ROLLER 80-1R-114	1
18	50152	KEY .38 X .38 X 2.00	2
19	1011620	NUT-HEX: .75 NC GR2 ZP	1
20	59043	FTG-ADAPTER: 10MB-12MJ	2
21	58985	VALVE-FLOW CONTROL- 3/4" FP	1
22	1030766	BOLT-HEX: .25 X 4.00 NC GR5 ZP	2
23	1020416	WASHER-FLAT: .25 ZP	14
24	1030946	NUT-TOPLOCK: .25 NC GR5 ZP	2
25	59042	FTG-ADAPTER: 12MP-12MJ	3
26	59041	FTG-ELBOW: 12MJ-12FJX-90	3
27	59888	FTG-TEE: 12MJ-12FJX-12MJ	1
28	59184	BRACKET-HOSE ZP	1
29	65658	U-BOLT: .50 X 3.00 X 2.06 X 3.00	1
30	63753	CLAMP .75 ZP	3
31	59182	BRACKET-HOSE ZP	2
32	54653	U-BOLT: .50 X 3.25 X 4.00 X 3.25	2
33	59390	BOLT-HEX: .38 X 2.25 NC GR5 ZP	3
34	1016999	NUT-TOPLOCK: .38 NC GR5 ZP	7
35	1011584	WASHER-FLAT: SAE .50 ZP	6
36	59895	HOSE: .75 X 173 12FJX-12FJX (8R-FRAME)	2
	59036	HOSE: .75 X 152 12FJX-12FJX (6R-FRAME)	
37	59801	HOSE: .75 X 74 12FJX-12FJX	1
38	59035	HOSE: .75 X 66 12FJX-12FJX	1
39	1011607	BOLT-HEX: .50 X 1.50 NC GR5 ZP	4

CONTINUED



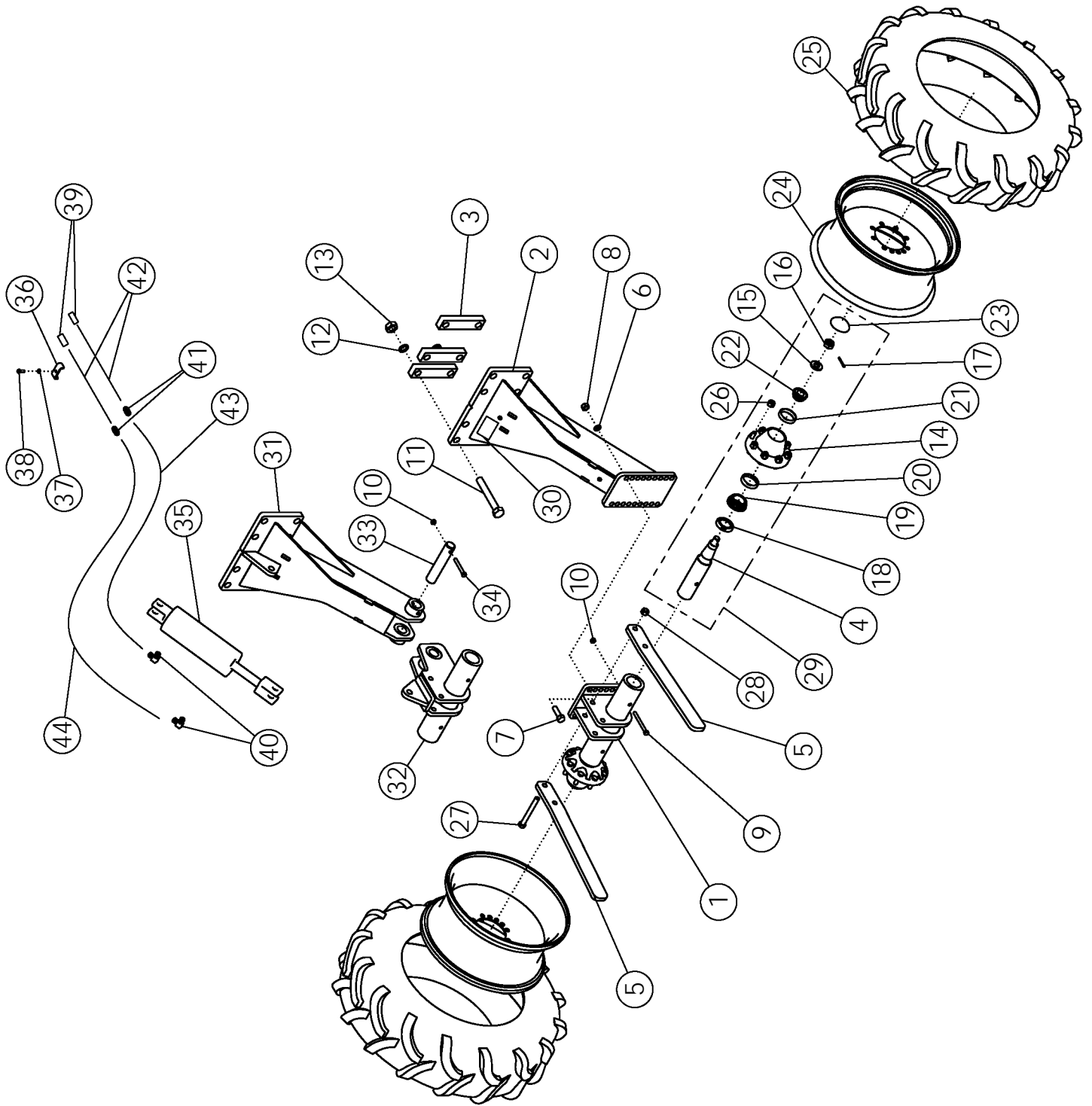
REAR SCRUB DRIVE: SINGLE MOTOR (CONTINUED)

ITEM	PART NO.	DESCRIPTION	QTY
40	1012061	WASHER-LOCK: .75 ZP	1
41	69020	WLDMT-BRACKET FLOW CONTROL	1
42	59881	BRACKET-BOLT PLATE	4
43	58176	BOLT-HEX: .38 X 3.50 NC GR5 ZP	4
44	59463	SPACER ZP	2
45	58396	KEY .313 X .313 X 1.750	1



REAR SCRUB DRIVE: DUAL MOTOR

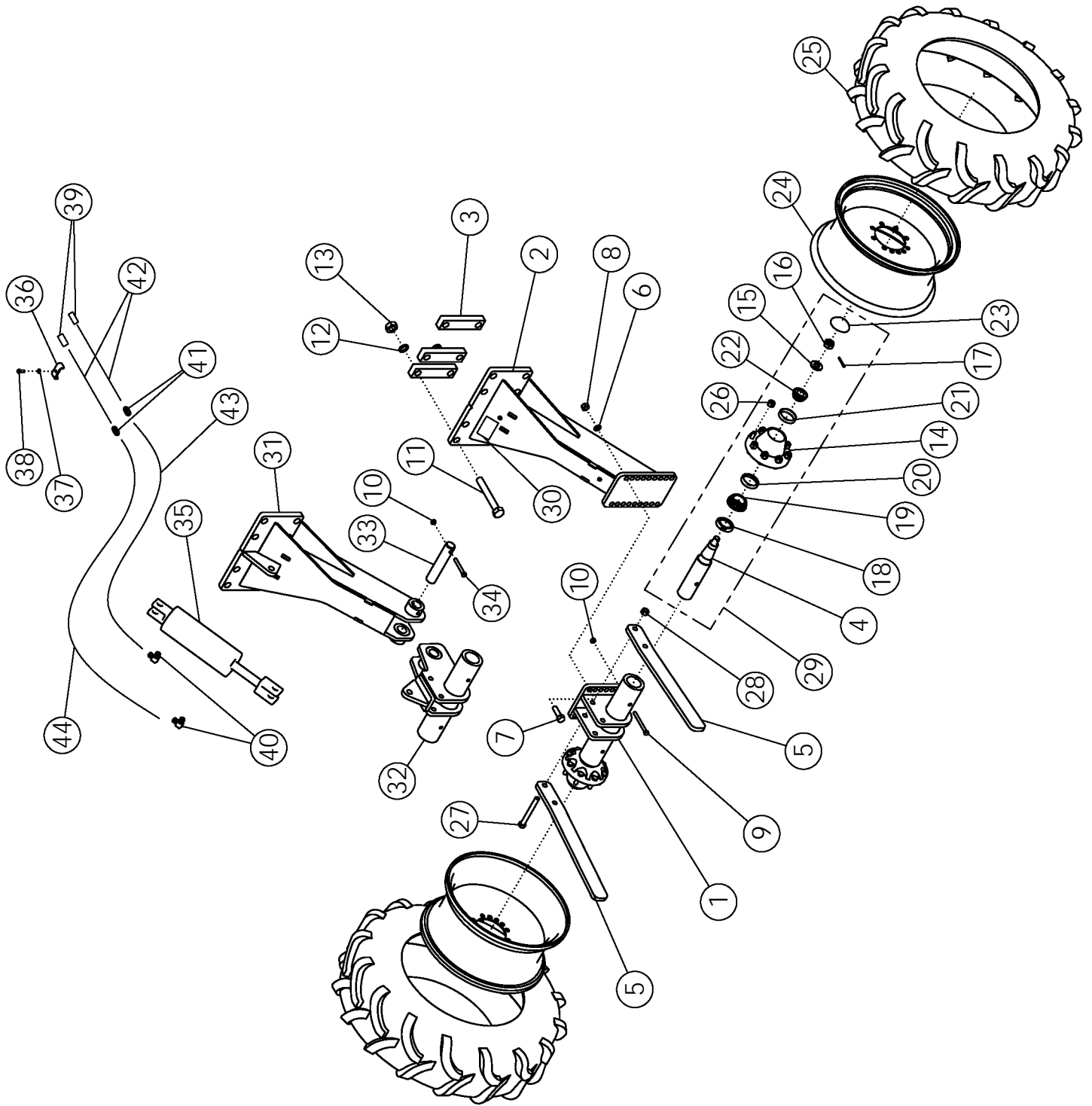
ITEM	PART NO.	DESCRIPTION	QTY
1	68654	PLATE	2
2	57843	PLATE-F.C.	2
3	57686	MOTOR-HYDRAULIC 32.3IN ³ /REV	2
4	50770	COUPLING	2
5	50152	KEY .38 X .38 X 2.00	4
6	1011607	BOLT-HEX: .50 X 1.50 NC GR5 ZP	4
7	1014443	WASHER-FLAT: .50 ZP	8
8	1027461	NUT-TOPLOCK: .50 NC GR5 ZP	14
9	59043	FTG-ADAPTER: 10MB-12MJ	4
10	59184	BRACKET-HOSE ZP	1
11	59182	BRACKET-HOSE ZP	2
12	54653	U-BOLT: .50 X 3.25 X 4.00 X 3.25	2
13	1011584	WASHER-FLAT: SAE .50 ZP	6
14	63753	CLAMP-HOSE 3/4" ZP	6
15	58176	BOLT-HEX: .38 X 3.50 NC GR5 ZP	3
16	1016999	NUT-TOPLOCK: .38 NC GR5 ZP	3
17	53677	U-BOLT: .50 X 3 X 2 X 3	1
18	59068	HOSE: .75 X 144 12FJX-12FJX	3
19	59069	HOSE: .75 X 138 12FJX-12FJX	1
20	63473	HOSE: .75 X 19 12FJX-12FJX	1
21	1011608	BOLT-HEX: .50 X 1.75 NC GR5 ZP	4
22	59035	HOSE: .75 X 66 12FJX-12FJX	1
23	59801	HOSE: .75 X 74 12FJX-12FJX	1



STANDARD REAR STRUTS

ITEM	PART NO.	DESCRIPTION	QTY
1	57233	WLDMT - MOUNT STANDARD	1
2	57882	WLDMT REAR STRUT RH	1
	57883	WLDMT REAR STRUT LH (NOT SHOWN)	
3	64143	BAR - BOLTING	3
4	52954*	SPINDLE-STANDARD	1
5	59045	SCRAPER	2
6	1012061	WASHER-LOCK: .75 ZP	6
7	1016598	BOLT-HEX: .75 X 2.50 NC GR5 ZP	6
8	1011620	NUT-HEX: .75 NC	6
9	1011618	BOLT-HEX: .50 X 5.00 NC GR5 ZP	2
10	1027461	NUT-TOPLOCK: .50 NC GR5 ZP	2
11	64145	BOLT-HEX: 1.13 X 8.00 NC GR8 ZP	6
12	64147	WASHER-LOCK: 1.13 ZP	6
13	64146	NUT-HEX: 1.13 NC GR2 ZP	6
14	53623*	HUB-WHEEL 8 BOLT	1
15	1030728*	WASHER-SPINDLE: 1.06ID X 2.13OD	1
16	1030726*	NUT-SPINDLE: 1.00 NF NP	1
17	1030797*	PIN-COTTER: .19 X 1.75 NP	1
18	53619*	SEAL	1
19	53621*	BEARING CONE-INNER	1
20	53622*	BEARING CUP-INNER	1
21	52243*	BEARING CUP-OUTER	1
22	53620*	BEARING CONE-OUTER	1
23	53624*	HUB CAP	1
24	56903	WHEEL W10 X 24 8 BOLT (1.88 POS)	2
25	56976	TIRE 11.2-24 10 PLY R1	2
	68973	TUBE-REPAIR 11.2-24	AR
26	53625*	NUT-WHEEL: .63-18NF	8
27	1012059	BOLT-HEX: .75 X 6.50 NC GR5 ZP	2
28	1017000	NUT-TOPLOCK: .75 NC GR5 ZP	2
29	53167	ASSY-HUB & SPINDLE 8-BOLT	2
30	52248	DECAL-CAUTION	1
31	69204	WLDMT-STRUT LH ADJ	1
32	69205	WLDMT-MOUNT ADJ STRUT	1
33	72311	PIN-AXLE MAIN	1
34	1029104	BOLT-KHEX: .50 X 3.75 NC GR5 ZP	1
35	72950	CYLINDER-HYDRAULIC 4 X 10	1
36	50714	CLAMP .50 ZP	6
37	1011586	WASHER-LOCK: .38 ZP	6
38	1011600	BOLT-HEX: .38 X 1.00 NC GR5 ZP	6

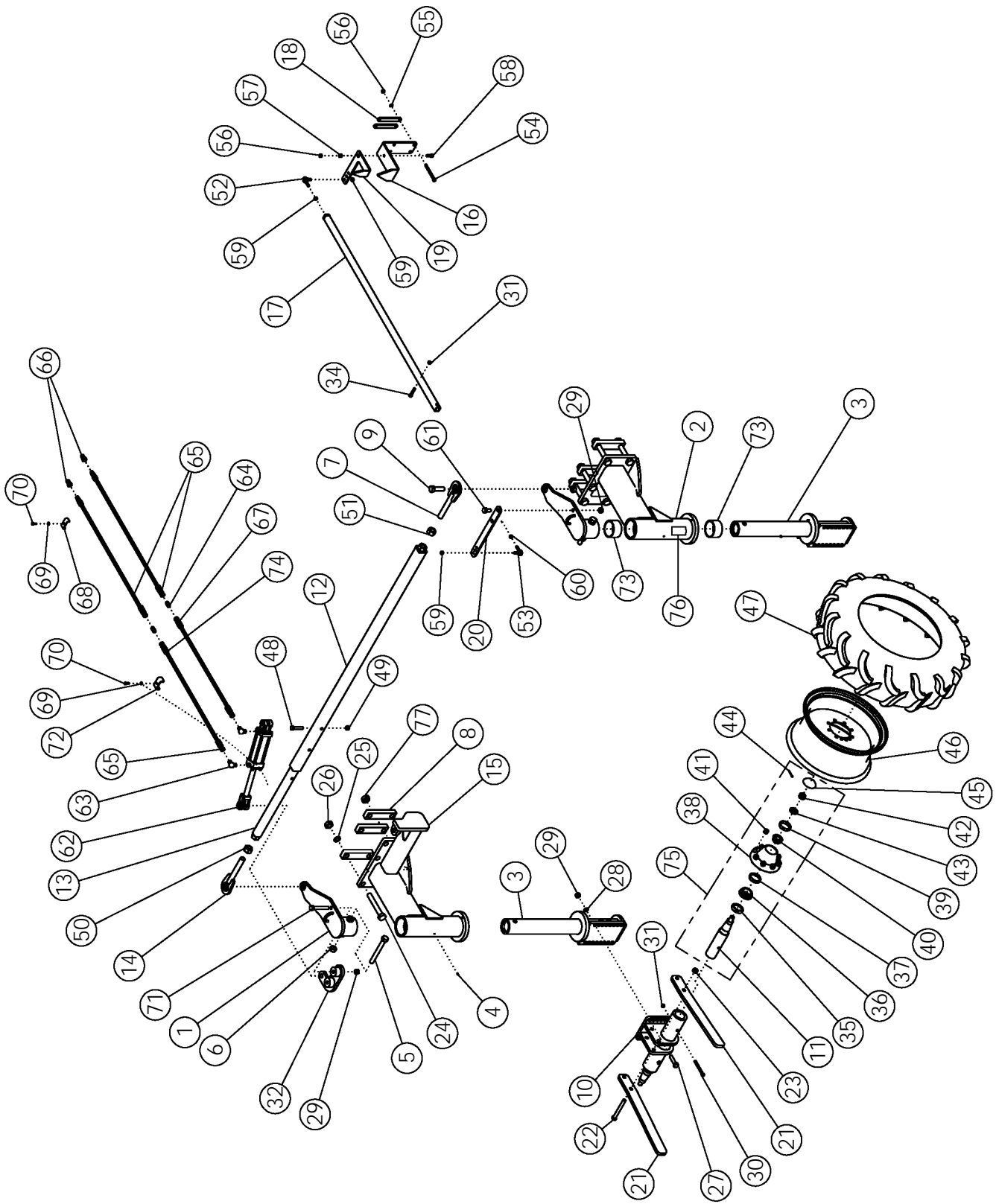
CONTINUED



STANDARD REAR STRUTS (CONTINUED)

ITEM	PART NO.	DESCRIPTION	QTY
39	53631	PIONEER TIP 8010-4	2
40	58560	FTG-ELBOW: 8MB-8MJ-90	2
41	58194	FTG-ADAPTER: 8MJ-8MJ	2
42	58376	HOSE: .50 X 108 8MP-8FJX	2
43	58377	HOSE: .50 X 172 8FJX-8FJX	1
44	58378	HOSE: .50 X 182 8FJX-8FJX	1

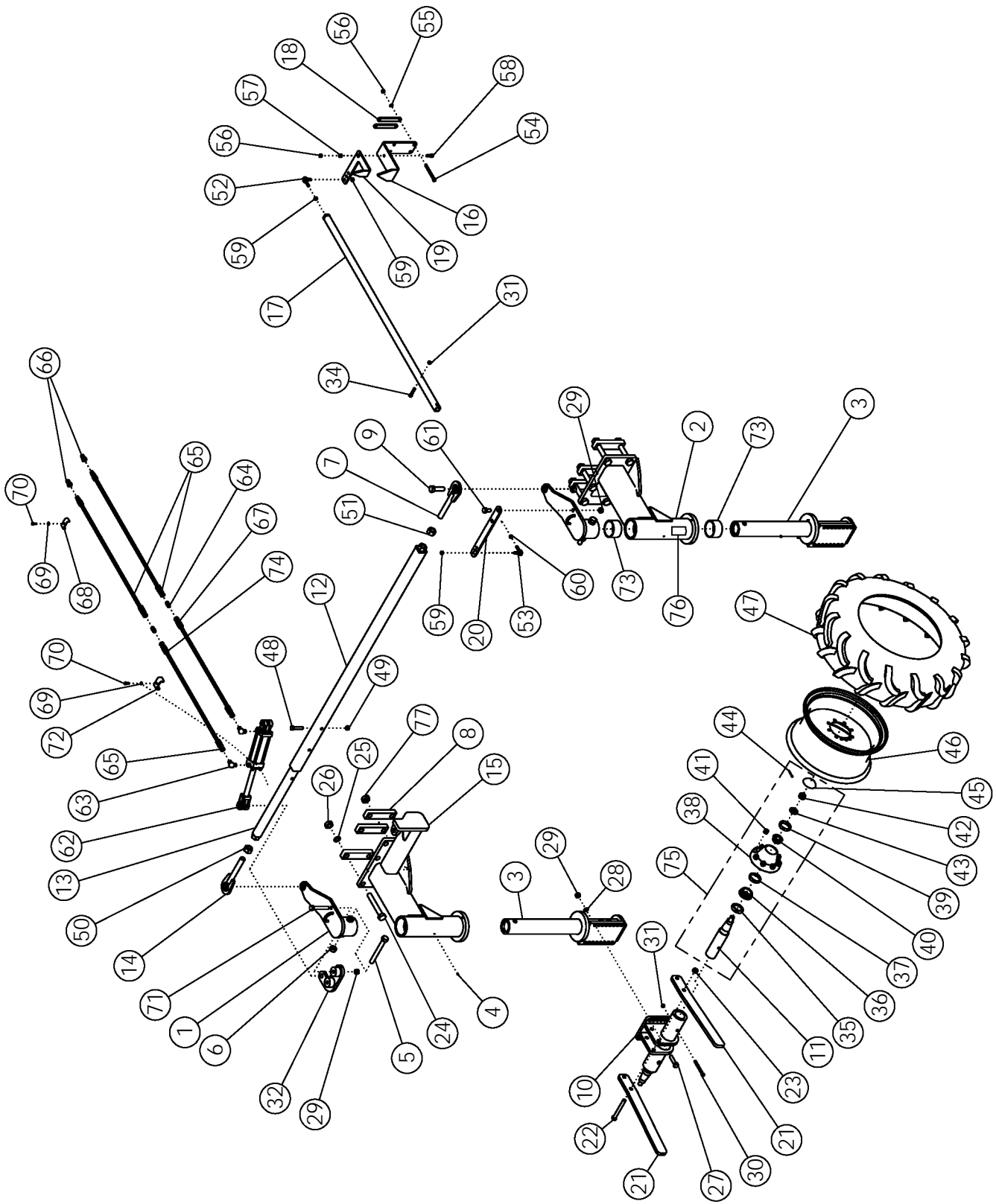
* Items are included in Item 29



STEERABLE REAR STRUTS

ITEM	PART NO.	DESCRIPTION	QTY
1	58240	WLDMT - STEERING ARM	2
2	58285	WLDMT-STEERING HOUSING R.H.	1
3	58238	WLDMT - KING PIN	2
4	1011748	ZERK - GREASE	10
5	1033376	BOLT-HEX: 1.00 X 8.50 NC GR8 ZP	2
6	1016969	NUT-TOPLOCK: 1.00 NC GR5 ZP	4
7	58186	WLDMT-TIE ROD RH	1
8	64143	BAR - BOLTING	6
9	1032276	BOLT-HEX: 1.00 X 3.50 NC GR8 ZP	2
10	57233	WLDMT - MOUNT STANDARD	2
11	52954*	SPINDLE-STANDARD	4
12	58374	WLDMT-TIE ROD EXTENSION	1
13	58341	WLDMT-TIE ROD	1
14	58203	WLDMT-TIE ROD LH	1
15	58239	WLDMT-STEERING HOUSING LH	1
16	53278	MOUNT-INDICATOR	1
17	59492	WLDMT-TIE ROD	1
18	56809	BAR-BOLTING	2
19	58348	INDICATOR LH	1
	68131	INDICATOR RH	
20	64980	ARM-STEERING INDICATOR	1
21	59045	SCRAPER	4
22	1016718	BOLT-HEX: .75 X 6.50 NC GR5 ZP	4
23	1017000	NUT-TOPLOCK: .75 NC GR5 ZP	4
24	64145	BOLT-HEX: 1.13 X 8.00 NC GR8 ZP	12
25	64147	WASHER-LOCK: 1.13 ZP	10
26	64146	NUT-HEX: 1.13 NC GR5 ZP	10
27	1012059	BOLT-HEX: .75 X 3.00 NC GR5 ZP	12
28	1012061	WASHER-LOCK: .75 ZP	12
29	1011620	NUT-HEX: .750 NC	16
30	1011618	BOLT-HEX: .50 X 5.00 NC GR5 ZP	4
31	1027461	NUT-TOPLOCK: .50 NC GR5 ZP	5
32	58123	PLATE	1
33	59493	WLDMT-TIE ROD EXTENSION	1
34	1011610	BOLT-HEX: .50 X 2.50 NC GR5 ZP	1
35	53619*	SEAL	4
36	53621*	BEARING CONE-INNER	4
37	53622*	BEARING CUP-INNER	4
38	53623*	HUB-WHEEL 8 BOLT	4
39	52243*	BEARING CUP-OUTER	4
40	53620*	BEARING CONE-OUTER	4

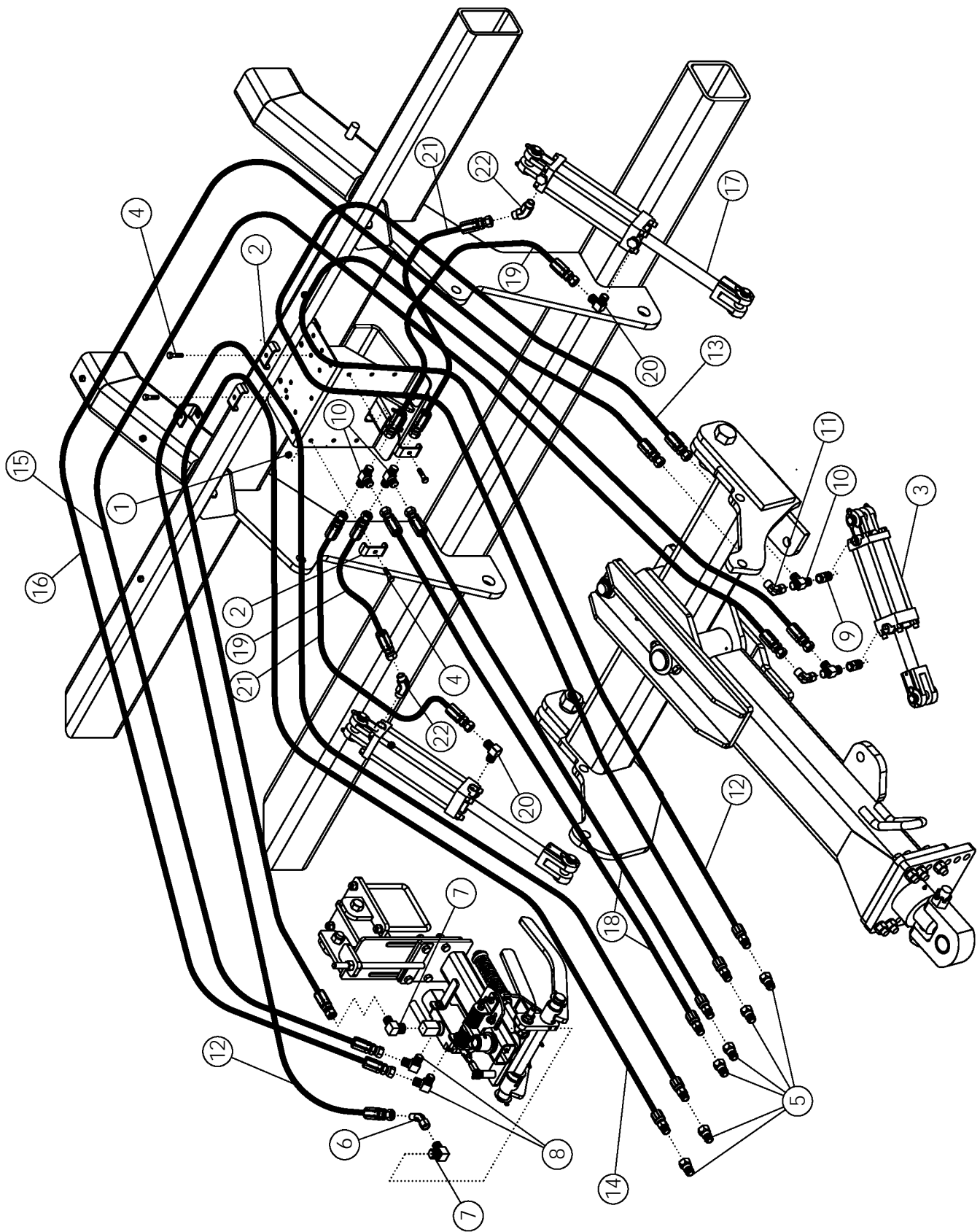
CONTINUED



STEERABLE REAR STRUTS (CONTINUED)

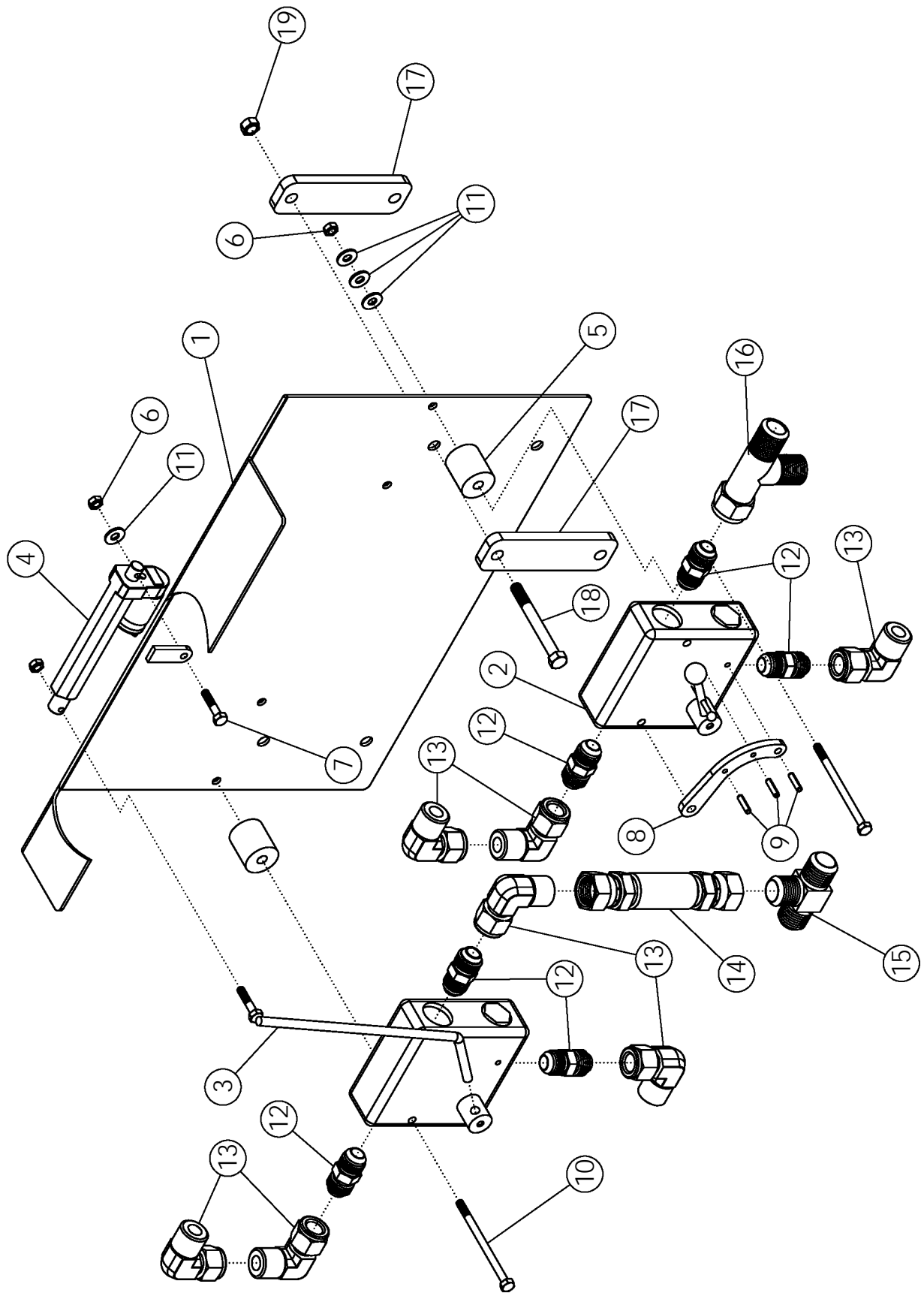
ITEM	PART NO.	DESCRIPTION	QTY
41	53625*	NUT-WHEEL: .63-18NF	32
42	1030726*	NUT-SPINDLE: 1.00 NF NP	4
43	1030728*	WASHER-SPINDLE: 1.06ID X 2.13OD	4
44	1030797*	PIN-COTTER: .19 X 1.75 NP	4
45	53624*	HUB CAP	4
46	56903	WHEEL W10 X 24 8 BOLT (1.875 POS)	4
47	56976	TIRE 11.2-24 10 PLY R1	4
	68973	TUBE-REPAIR 11.2-24 (NOT SHOWN)	AR
48	1030704	BOLT-HEX: .63 X 3.25 NC GR5 ZP	1
49	1011578	NUT-HEX: .63 NC GR2 ZP	1
50	1030729	NUT-HEX: 1.25 NC GR2 ZP LH	1
51	1011621	NUT-HEX: 1.25 NC GR2 ZP	1
52	58350	BALL JOINT ROD END 1/2-20NF RH	1
53	58351	BALL JOINT ROD END 1/2-20NF LH	1
54	1016660	BOLT-HEX: .50 X 5.50 NC GR5 ZP	4
55	1011581	WASHER-LOCK: .50 ZP	4
56	1011577	NUT-HEX: .50 NC GR2 ZP	5
57	56884	BUSHING-INDICATOR REAR STRUT	1
58	1011607	BOLT-HEX: .50 X 1.50 NC GR5 ZP	1
59	58355	NUT-HEX: .50 NF GR5 ZP RH	3
60	58366	NUT-HEX: .50 NF GR5 ZP LH	1
61	58367	BOLT-HEX: .75 X 1.50 NC GR5 ZP	2
62	58890	CYLINDER HYDRAULIC 3 X 8	1
63	58560	FTG-ELBOW: 8MB-8MJ-90	2
64	58194	FTG-ADAPTER: 8MJ-8MJ	2
65	58376	HOSE: .50 X 108 8MP-8FJX	2
66	53631	PIONEER TIP 8010-4	2
67	58377	HOSE: .50 X 172 8FJX-8FJX	1
68	50714	CLAMP 1/2" ZP	1
69	1011586	WASHER-LOCK: .38 ZP	4
70	1011600	BOLT-HEX: .38 X 1.00 NC GR5 ZP	4
71	58368	BOLT-HEX: .75 X 5.00 NC GR5 ZP	2
72	63753	CLAMP-HOSE 3/4" ZP	3
73	59205	BUSHING-BORED 4.5 X 4.025	4
74	58378	HOSE: .50 X 182 8FJX-8FJX	1
75	53167	ASSY-HUB & SPINDLE 8 BOLT	2
76	52248	DECAL CAUTION	1
77	64427	NUT-TOPLOCK: 1.13 GR5 ZP	2

* Items are included in Item 75



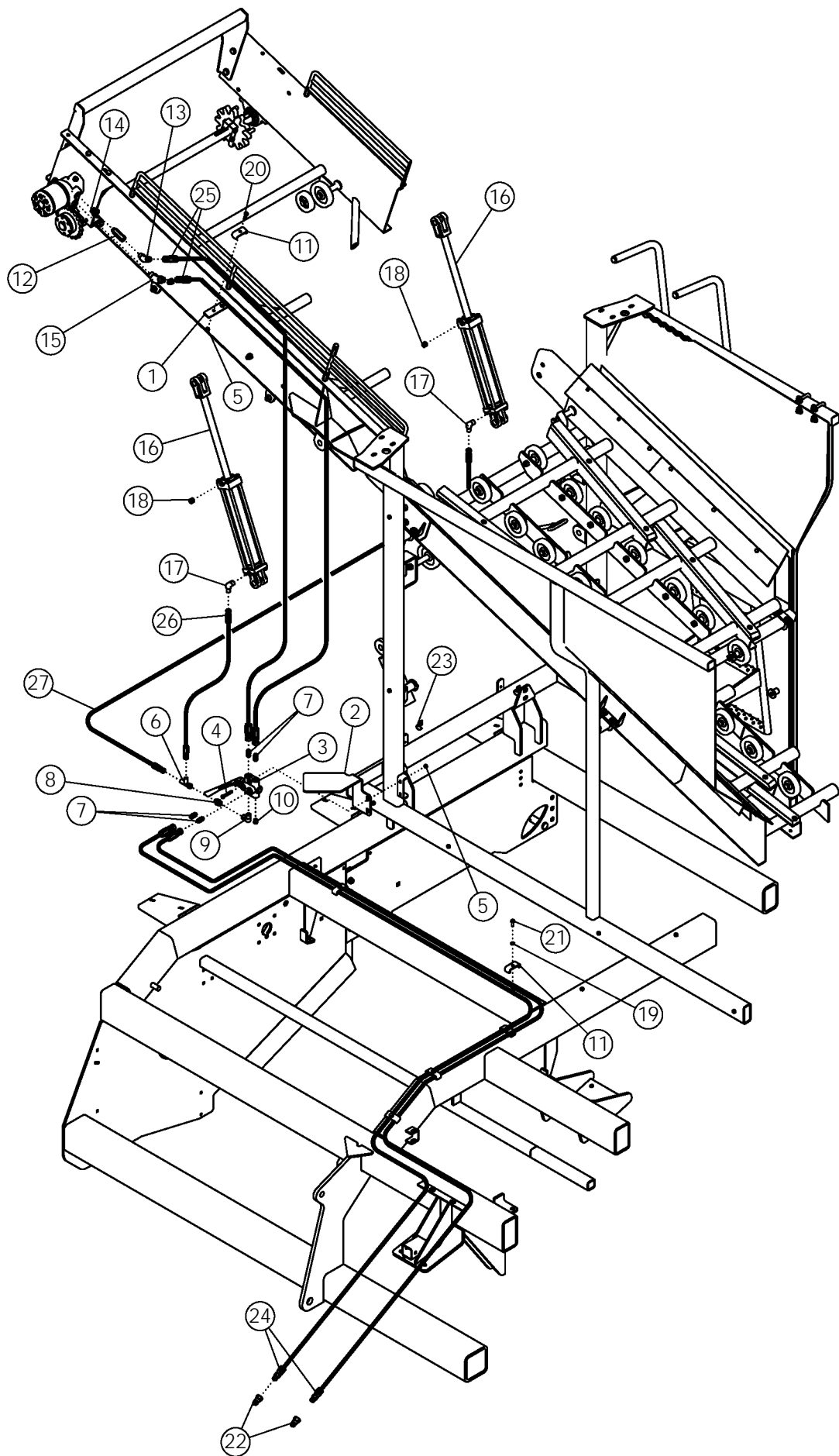
ROW FINDER AND HITCH HYDRAULICS

ITEM	PART NO.	DESCRIPTION	QTY
1	1016999	NUT-TOPLOCK: .38 NC GR5 ZP	4
2	50714	CLAMP .50 ZP	4
3	58891	CYLINDER-HYDRAULIC 4 X 8" 3000	1
4	1011602	BOLT-HEX: .38 X 1.50 NC GR5 ZP	4
5	53631	PIONEER TIP 8010-4	6
6	57663	FTG-ELBOW: 8MJ-8FJX-45	1
7	57664	FTG-ELBOW: 12MP-8MJ-90	2
8	57665	FTG-ELBOW: 8MP-8MJ-90	2
9	56941	FTG-ADAPTER: 8MB-8FJX	2
10	57667	FTG-TEE: 8MJ-8MJ-8MJ	4
11	57668	FTG-ELBOW: 8MJ-8FJX 90	2
12	57669	HOSE: .50 X 153 8MP-8FJX	2
13	57670	HOSE: .50 X 150 8MP-8FJX	1
14	57671	HOSE: .50 X 163 8MP-8FJX	1
15	57672	HOSE: .50 X 098 8FJX-8FJX	1
16	57673	HOSE: .50 X 096 8FJX-8FJX	1
17	62082	CYLINDER-HYDRAULIC 4 X 10" 3000	2
18	57675	HOSE: .50 X 100 8MP-8FJX	2
19	57676	HOSE: .50 X 031 8FJX-8FJX	2
20	58560	FTG-ELBOW: 8MB-8MJ-90	2
21	57677	HOSE: .50 X 021 8FJX-8FJX	2
22	58515	FTG-ELBOW: 8MB-8MJ-45	2



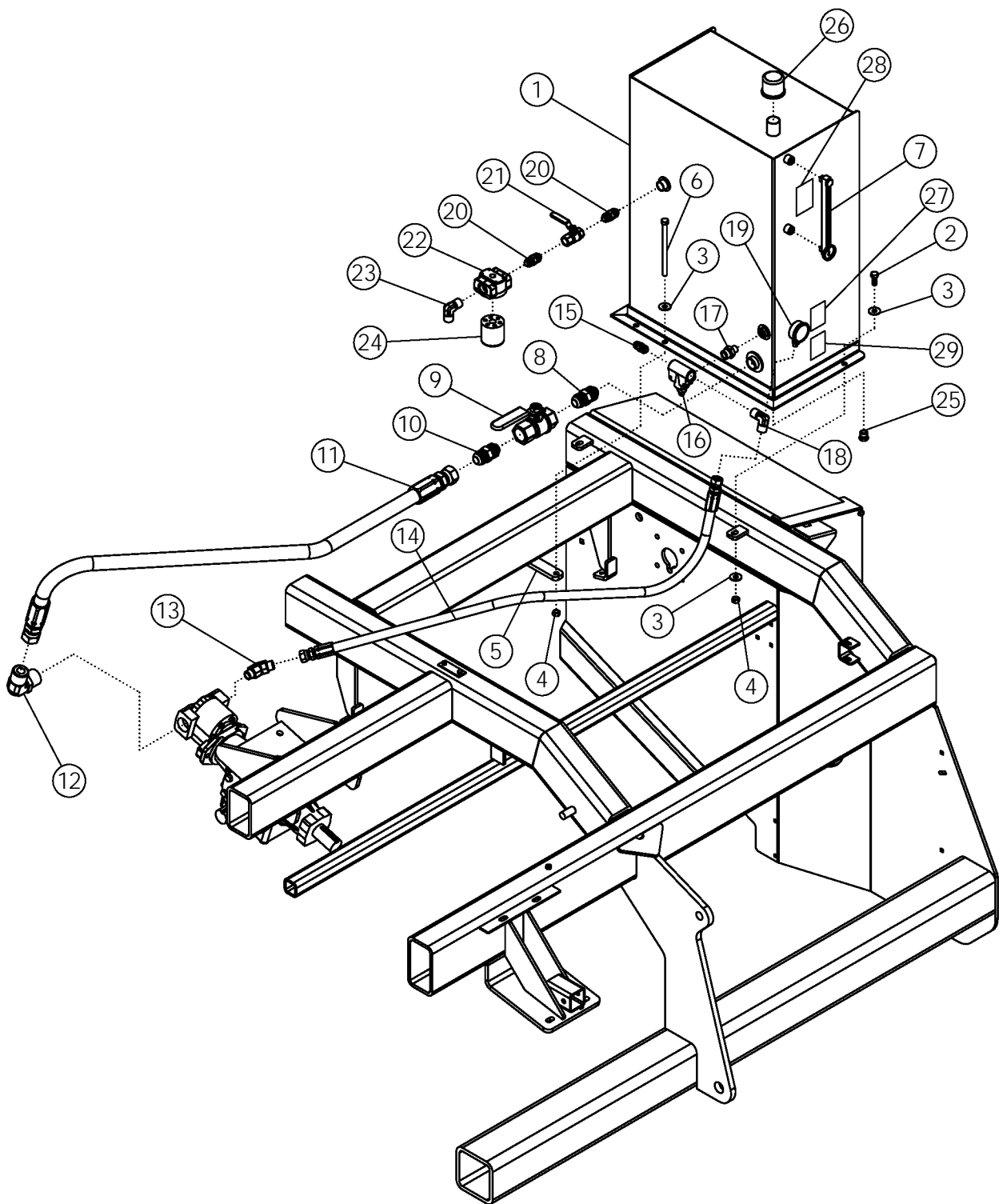
VALVE GROUP: DUAL MOTOR SCRUB

ITEM	PART NO.	DESCRIPTION	QTY
1	68092	WLDMT-BRACKET FLOW CONTROL	1
2	58985	VALVE-FLOW CONTROL- 3/4" FP	2
3	59524	WLDMT-ARM FLOW CONTROL Z.P.	1
4	59633	ACTUATOR-12VDC 4" STROKE	1
5	59463	SPACER	4
6	1030946	NUT-TOPLOCK: .25 NC GR5 ZP	6
7	1013940	BOLT-HEX: .25 X 1.25 NC GR5	1
8	59206	BRACKET-FLOW CONTROL ZP	1
9	54314	PIN-ROLL .19 X .75 ZP	3
10	1030776	BOLT-HEX: .25 X 4.00 NC GR5	4
11	1020416	WASHER-FLAT: .25 ZP	13
12	59042	FTG-ADAPTER: 12MP-12MJ	6
13	59041	FTG-ELBOW: 12MJ-12FJX 90	7
14	63471	ASSY-TUBE LINE .75 X 5.25 0-0	1
15	58986	FTG-TEE: 12MJ-12MJ-12MJ	1
16	59888	FTG-TEE: 12MJ-12FJX-12MJ	1
17	59881	BRACKET-BOLT PLATE	4
18	58176	BOLT-HEX: .38 X 3.50 NC GR5 ZP	4
19	1016999	NUT-TOPLOCK: .38 NC GR5 ZP	4



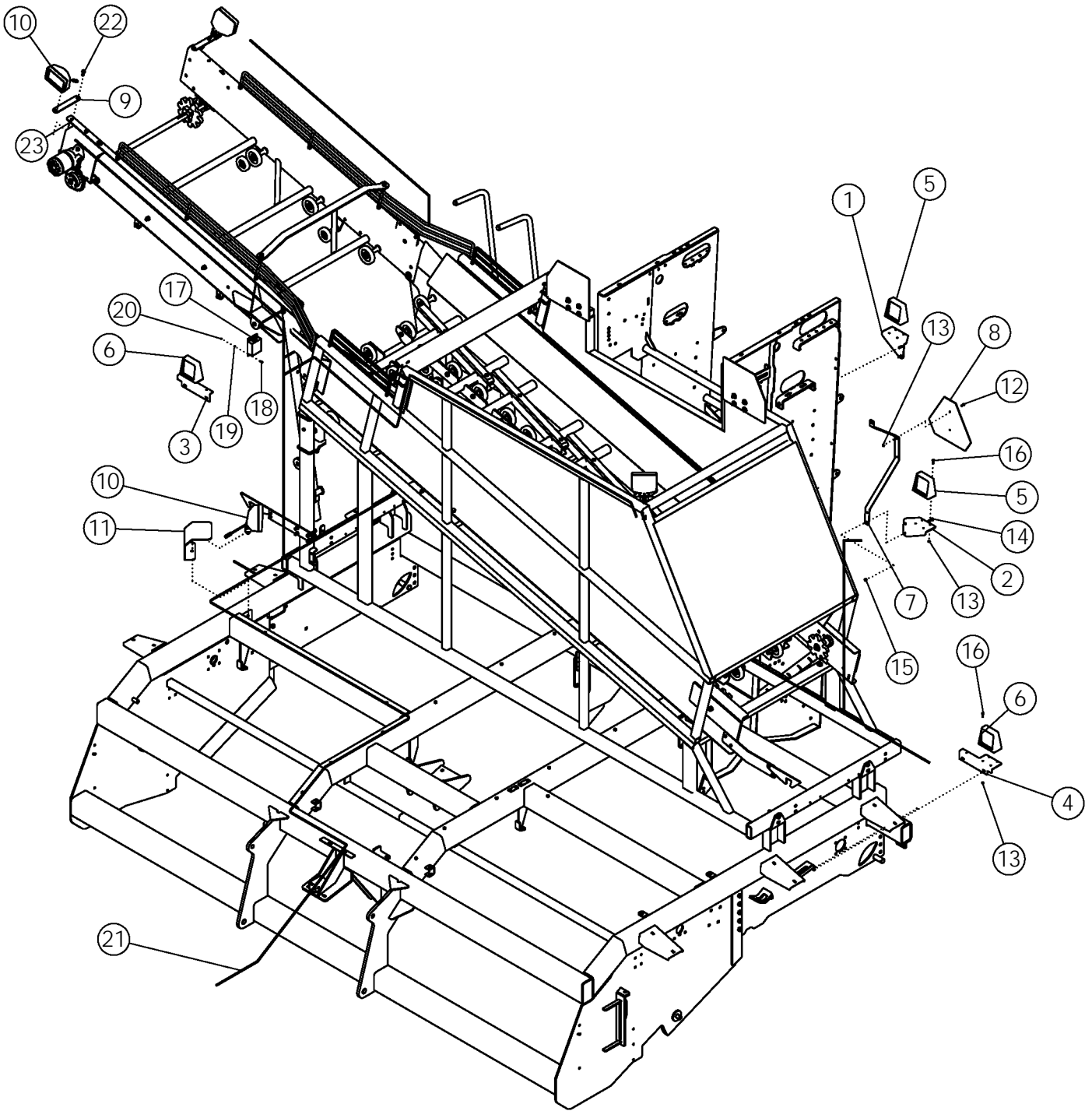
TANK HYDRAULICS

ITEM	PART NO.	DESCRIPTION	QTY
1	54825	BRACKET-HOSE ZP	2
2	62904	GUARD-SELECTOR VALVE	1
3	58470	VALVE-SELECTOR	1
4	59390	BOLT-HEX: .38 X 2.25 NC GR5 ZP	2
5	1016999	NUT-TOPLOCK: .38 NC GR5 ZP	4
6	56231	FTG-TEE: 6MJ-6FJX-6MJ	1
7	56226	FTG-ADAPTER: 8MB-8MJ	4
8	64307	FITTING-RESTRICTOR (6MJ-8MP R 1/16)	1
9	55733	FTG-ELBOW: 8MB-8FP 90	1
10	56190	FTG-PLUG: 8MB	1
11	50714	CLAMP 1/2" ZP	8
12	53722	VALVE-CHECK: 8MP-8FP	1
13	58288	FTG-ELBOW: 8MP-8MJ-45	1
14	58289	FTG-ADAPTER: 10MB-8FP	1
15	56229	FTG-ELBOW: 10MB-8MJ-45	1
16	58889	CYLINDER-HYD 2.5 X 16	2
17	58557	FTG-ELBOW: 8MB-6MJ 90	2
18	58547	FTG-PLUG: 8MB BREATHER	2
19	1011586	WASHER-LOCK: .38 ZP	6
20	1011602	BOLT-HEX: .38 X 1.50 NC GR5 ZP	2
21	1011600	BOLT-HEX: .38 X 1.00 NC GR5 ZP	6
22	53631	PIONEER TIP 8010-4	2
23	50779	HOSE-CLAMP	2
24	56232	HOSE: .50 X 240 8MP-8FJX	2
25	56235	HOSE: .50 X 155 8FJX-8FJX	2
26	56234	HOSE: .38 X 28 6FJX-6FJX	1
27	56233	HOSE: .38 X 86 6FJX-6FJX	1



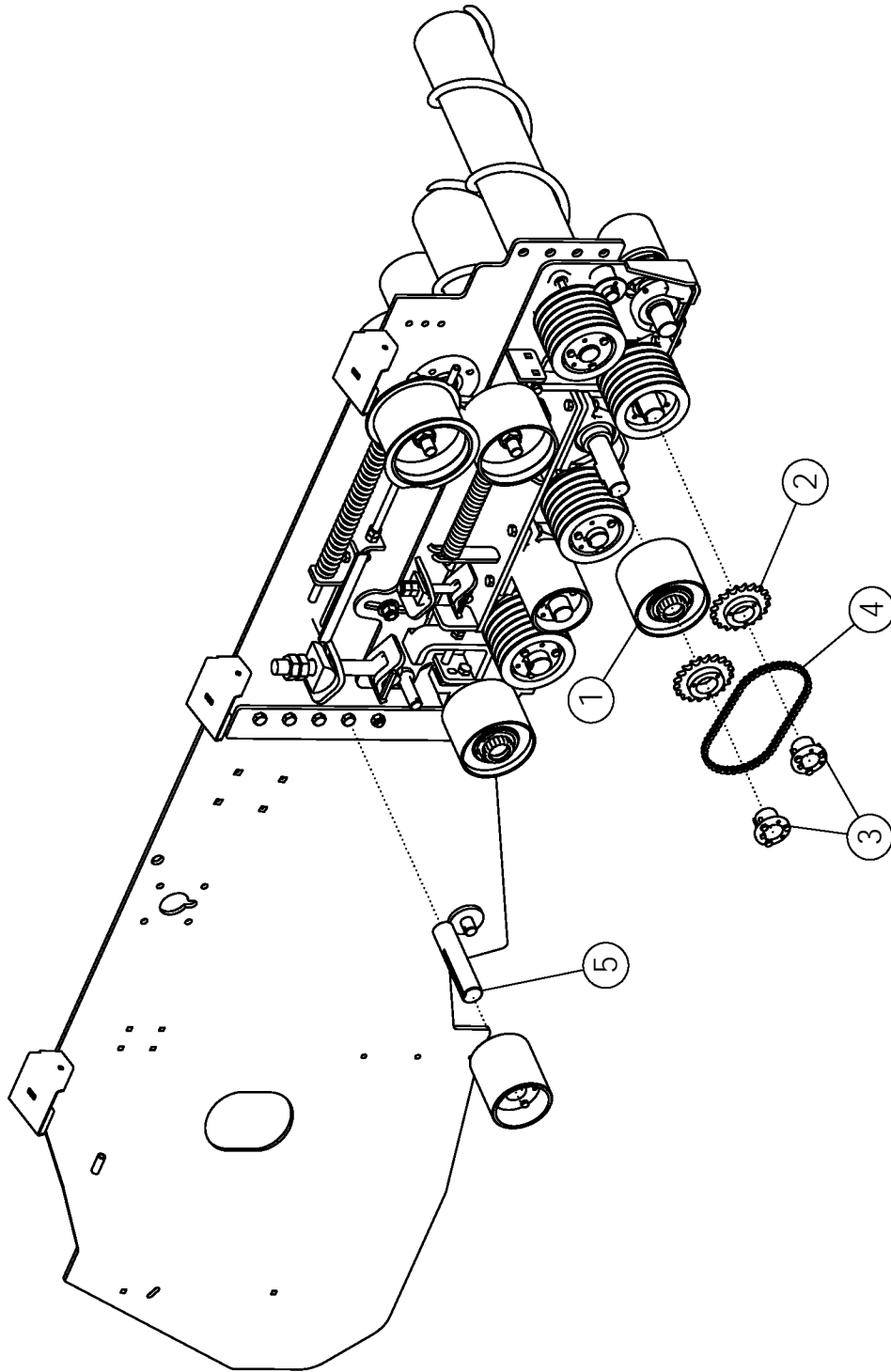
HYDRAULIC TANK

ITEM	PART NO.	DESCRIPTION	QTY
1	58079	HYDRAULIC TANK-PAINTED	1
2	1011606	BOLT-HEX: .50 X 1.25 NC GR5 ZP	2
3	1014443	WASHER-FLAT: .50 ZP	6
4	1027461	NUT-TOPLOCK: .50 NC GR5 ZP	4
5	58204	BAR - BOLTING	1
6	1032514	BOLT-HEX: .50 X 7.50 NC GR5 ZP	2
7	58914	GAUGE-LEVEL & TEMP	1
8	58978	FTG-ADAPTER: 20MP-20MP	1
9	58979	VALVE-BALL: 20FP-20FP	1
10	62209	FTG-ADAPTER: 20MP-20MJ	1
11	62210	HOSE: 1.25 X 066 20FJX-20FJX	1
12	58980	FTG-ELBOW: 24MB-20MJ-90	1
13	62212	FTG-ELBOW: 16MB-12MJ-45	1
14	59071	HOSE: .75 X 060 12FJX-12FJX	1
15	59042	FTG-ADAPTER: 12MP-12MJ	1
16	58190	VALVE-RELIEF	1
17	58466	FTG-ADAPTER: 12MP-8MP	1
18	58983	FTG-ELBOW: 12MP-12MJ-90 W/.25" FP	1
19	62518	GAUGE-PRESSURE: 1/4"MP 3000 PSI	1
20	58196	FTG-ADAPTER: 12MP-12MP	2
21	59165	VALVE-BALL 3/4FP - 3/4FP	1
22	58690	FILTER HEAD	1
23	59044	FTG-ELBOW: 12MP-12MJ-90	1
24	58691	FILTER-HYDRAULIC	1
25	55718	FTG-PLUG: 8MB	1
26	58197	CAP-FILLER	1
27	62964	DECAL-WARNING	1
28	64428	DECAL-HYD TANK SPECS	1
29	64429	DECAL-WARNING BALL VALVE	1



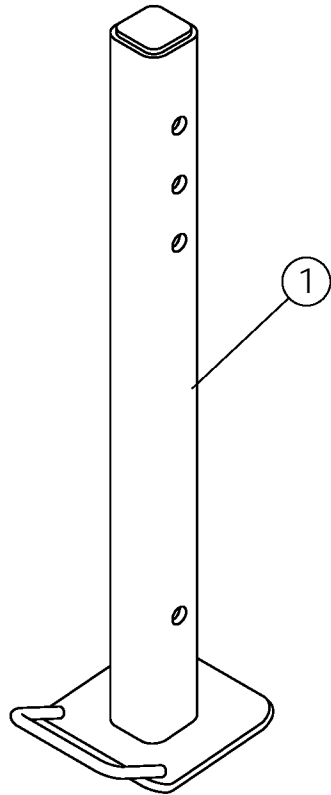
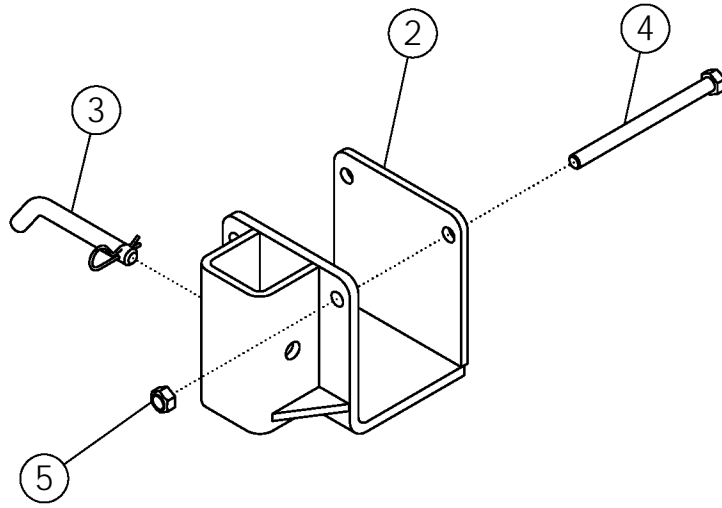
LIGHT KIT

ITEM	PART NO.	DESCRIPTION	QTY
1	64236	BRACKET-LIGHT RH RED	1
2	64235	BRACKET-LIGHT LH RED	1
3	64175	BRACKET RH	1
4	64176	BRACKET LH	1
5	65953	LAMP-RED TAIL	2
6	65954	LAMP-AMBER TAIL	2
7	64290	MOUNT-SMV SIGN	1
8	65329	SIGN-SMV ASAE	1
9	57168	LIGHT BRACKET	2
10	62900	ASSY - LIGHT FLOOD W/CON	4
11	62894	GUARD-GRABROLL LIGHT	1
12	1011595	BOLT-HEX: .25 X .75 NC GR5 ZP	2
13	1030946	NUT-TOPLOCK: .25 NC GR5 ZP	18
14	1011601	BOLT-HEX: .38 X 1.25 NC GR5 ZP	4
15	1016999	NUT-TOPLOCK .375 NC GR5 ZP	4
16	1013423	BOLT-HEX: .25 X 1.00 NC GR5 ZP	16
17	65341	MODULE-INTERFACE	1
18	0100615	BOLT: .19 X .75 NC GR5 ZP	4
19	1012061	WASHER-LOCK: .19 ZP	4
20	1011588	NUT-HEX: .19 NC GR2 ZP	4
21	64283	HARNESS-HARVESTER	1
22	1011606	BOLT-HEX: .50 X 1.25 NC GR5 ZP	2
23	1027461	NUT-TOPLOCK: .50 NC GR5 ZP	2
24	1013122	TIE-CABLE, NYLON 14.00" (NOT SHOWN)	40
25	62833	CLAMP-ADHESIVE BACKED CABLE (NOT SHOWN)	8



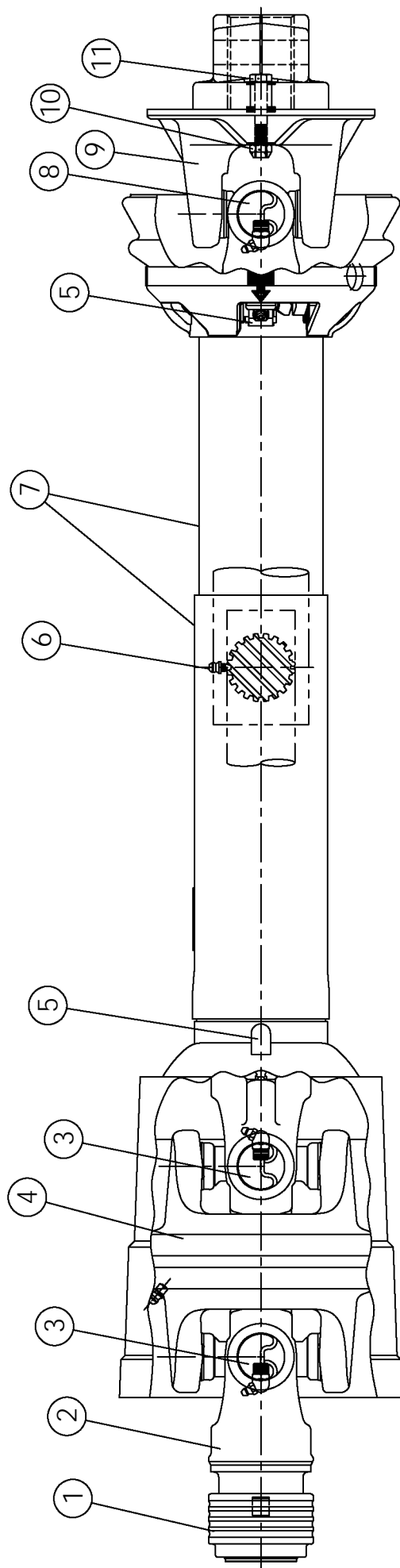
REVERSE #4 CLEANING ROLL #62107 (OPTIONAL)

ITEM	PART NO.	DESCRIPTION	QTY
1	56406	ASSY-IDLER PULLEY 6R W/LOCK COLLAR	1
2	53649	SPROCKET H60-P20	2
3	53641	HUB P1 1.75 (WITH KEY)	2
4	62110	CHAIN-ROLLER 60H-1R-045	1
5	62108	SHAFT-STUB	1



HARVESTER STAND #63397 (OPTIONAL)

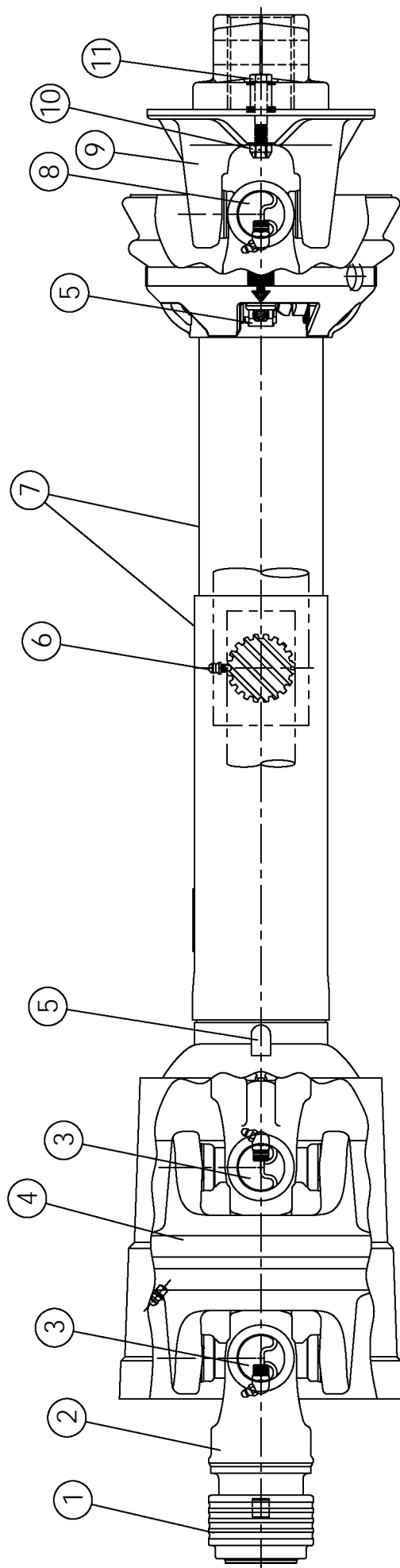
ITEM	PART NO.	DESCRIPTION	QTY
1	63382	WLDMT-STAND SUPPORT	1
2	63377	WLDMT-STAND MOUNT	1
3	63407	PIN-BENT	1
4	1018957	BOLT-HEX: .63 X 8.00 NC GR5 ZP	2
5	1016595	NUT-TOPLOCK: .63 NC GR5 ZP	2



PTO DRIVELINE #51481

1.75" - 20 SPLINE

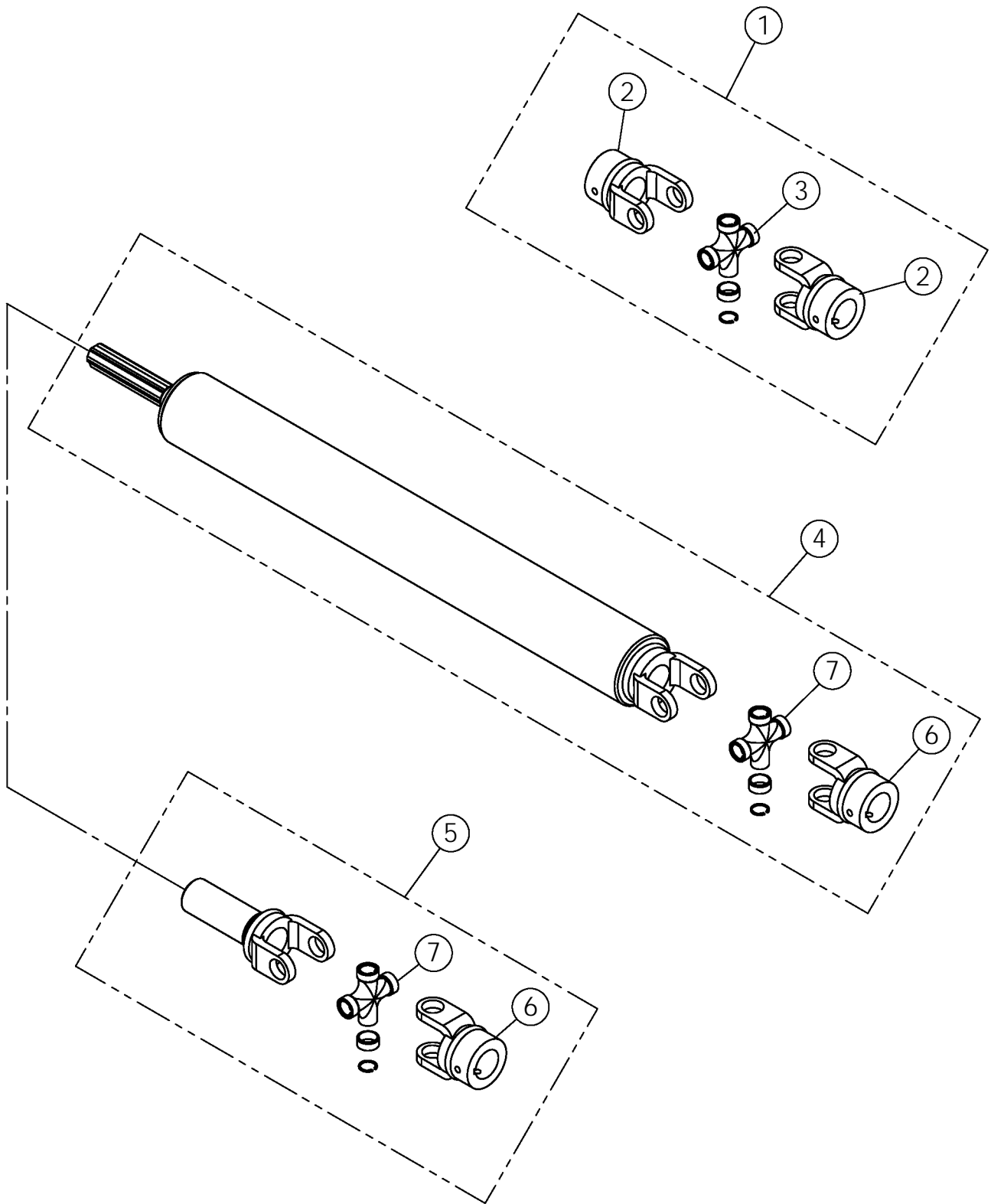
ITEM	PART NO.	DESCRIPTION	QTY
1	62123	SAFETY SLIDE LOCK REPAIR KIT	1
2	54157	SAFETY SLIDE LOCK YOKE ASSEMBLY	1
3	54159	CAT 5 CROSS & BEARING KIT	2
4	64411	CV CENTER HOUSING ASSEMBLY	1
5	64398	NYLON REPAIR KIT	2
6	54161	ZERK-GREASE STRAIGHT	4
7	64412	FULL GUARD SET W/NYLON BEARINGS	1
8	54172	35R CROSS & BEARING KIT	1
9	57286	BALL SHEAR ASSEMBLY	1
10	1030700	NUT-TOPLOCK: .31 NC GR5 ZP	1
11	1011285	BOLT-HEX: .31 X 2.00 NC GR5 ZP	1



PTO DRIVELINE #51480

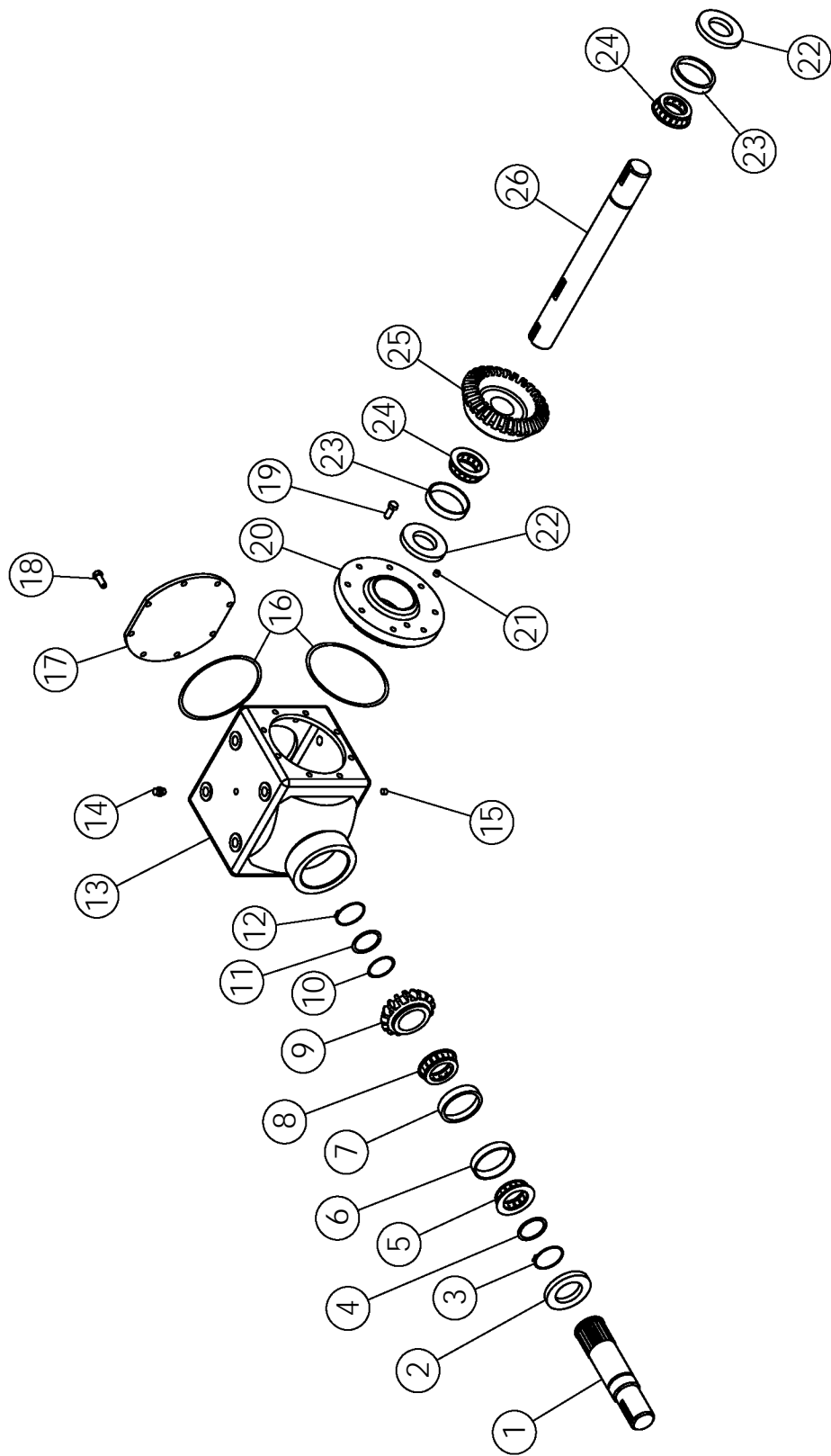
1.38" - 21 SPLINE

ITEM	PART NO.	DESCRIPTION	QTY
1	55187	SAFETY SLIDE LOCK REPAIR KIT	1
2	54156	SAFETY SLIDE LOCK YOKE ASSEMBLY	1
3	54159	CAT 5 CROSS & BEARING KIT	2
4	64411	CV CENTER HOUSING ASSEMBLY	1
5	64398	NYLON REPAIR KIT	2
6	54161	ZERK-GREASE STRAIGHT	4
7	64412	FULL GUARD SET W/NYLON BEARINGS	1
8	54172	35R CROSS & BEARING KIT	1
9	57286	BALL SHEAR ASSEMBLY	1
10	1030700	NUT-TOPLOCK: .31 NC GR5 ZP	1
11	1011285	BOLT-HEX: .31 X 2.00 NC GR5 ZP	1



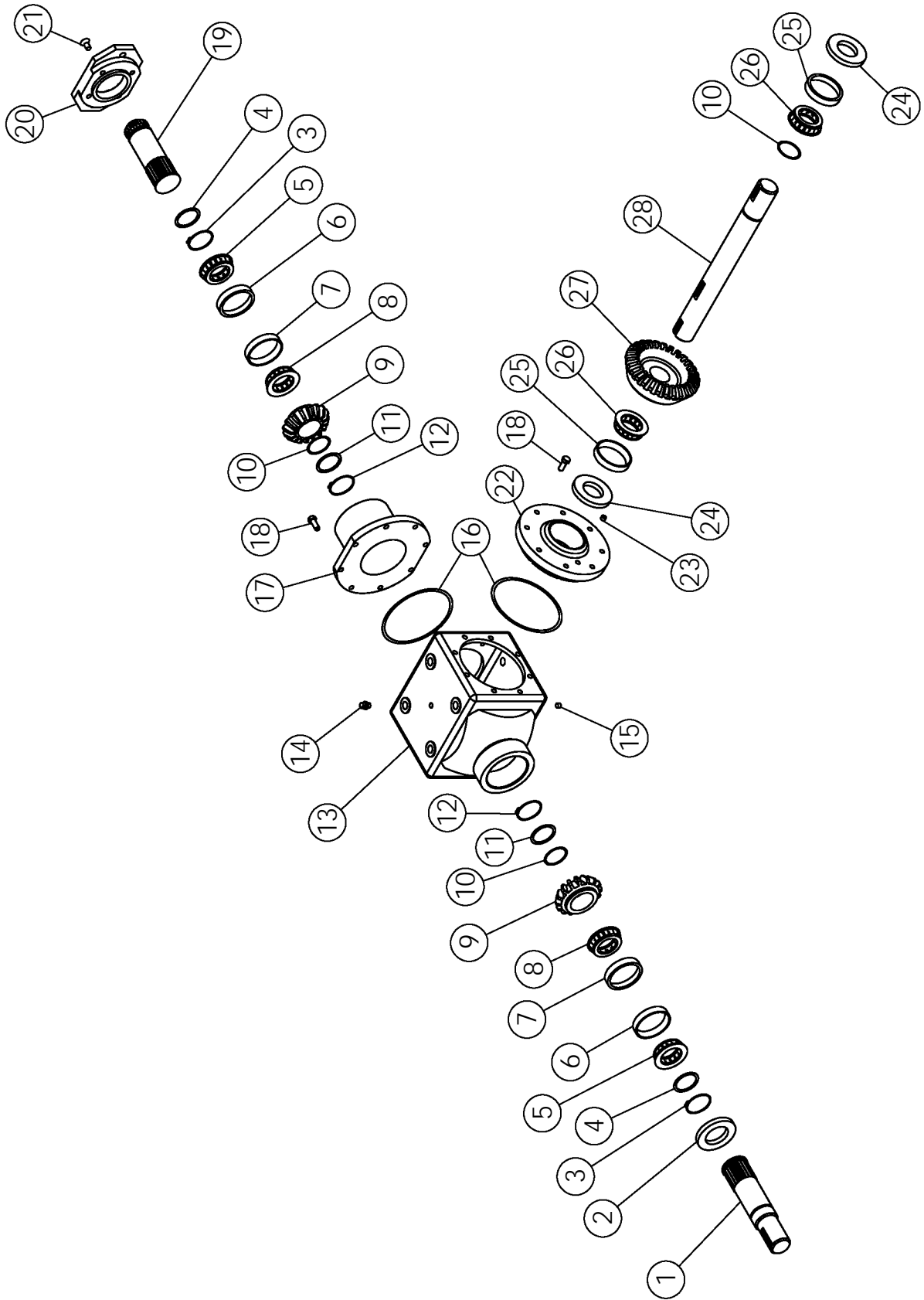
DRIVELINE COMPONENTS

ITEM	PART NO.	DESCRIPTION	QTY
1	53642	U-JOINT	1
2	55035	YOKE 1.75"	2
3	54172	35E CROSS & BEARING KIT	1
4	57923	DRIVE SHAFT 49.25"	1
	57924	DRIVE SHAFT 72.50"	
5	57925	DRIVE COUPLER	1
6	62037	YOKE 1.38"	1
7	58876	CROSS KIT U-JOINT 14E	1



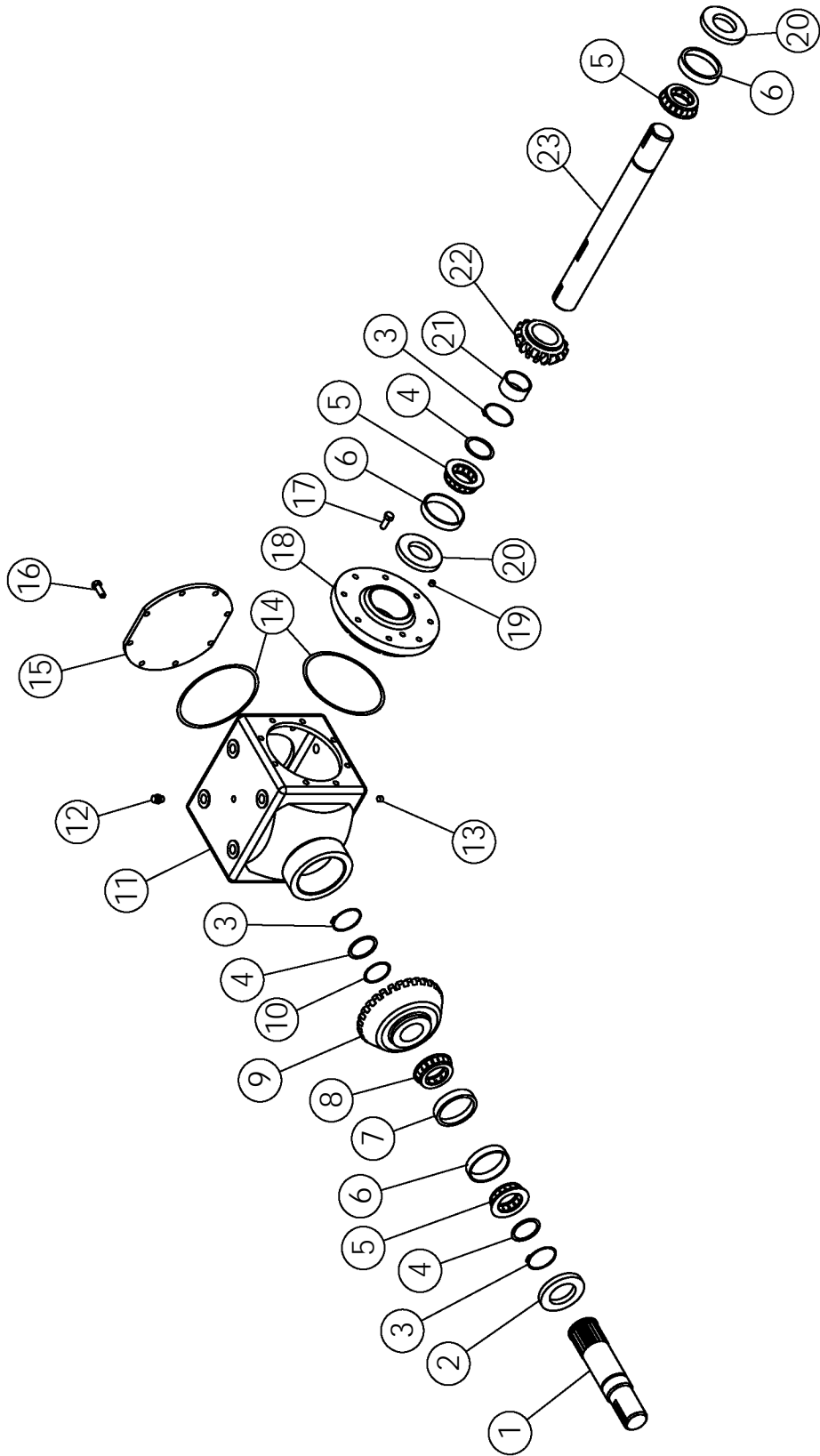
GEARBOX (1.81:1) #63846 (PRIMARY)

ITEM	PART NO.	DESCRIPTION	QTY
1	62721	QUILL SHAFT	1
2	62722	SEAL: 2.00 X 3.263	1
3	62724	SNAP RING	1
4	62723	WASHER 2.00 X .134	1
5	62725	BEARING CONE	1
6	62726	BEARING CUP	1
7	62727	BEARING CUP	1
8	62728	BEARING CONE	1
9	62729	PINION-16 TOOTH	1
10	62730	SHIM: 1.75 X .007	1
11	62731	WASHER 1.75 X .179	1
12	62732	SNAP RING	1
13	62733	CASE-900 SERIES	1
14	64408	VENT PLUG: .50 NPT (SQ. HD.)	1
15	62735	PLUG: .50 NPT	1
16	62736	SHIM-COVER	2
17	64434	PLATE	1
18	1011599	BOLT-HEX: .38 X .75 NC GR5 ZP	8
19	62738	BOLT-HEX: .38 X 1.00 NC GR5 NP	8
20	62742	COVER-OPEN .375 NPT	1
21	62743	PLUG: .38 NPT	1
22	62744	OIL SEAL: 1.75 X .313	2
23	62745	BEARING CUP	2
24	62746	BEARING CONE	2
25	64410	GEAR-29 TOOTH	1
26	64409	THRU SHAFT	1



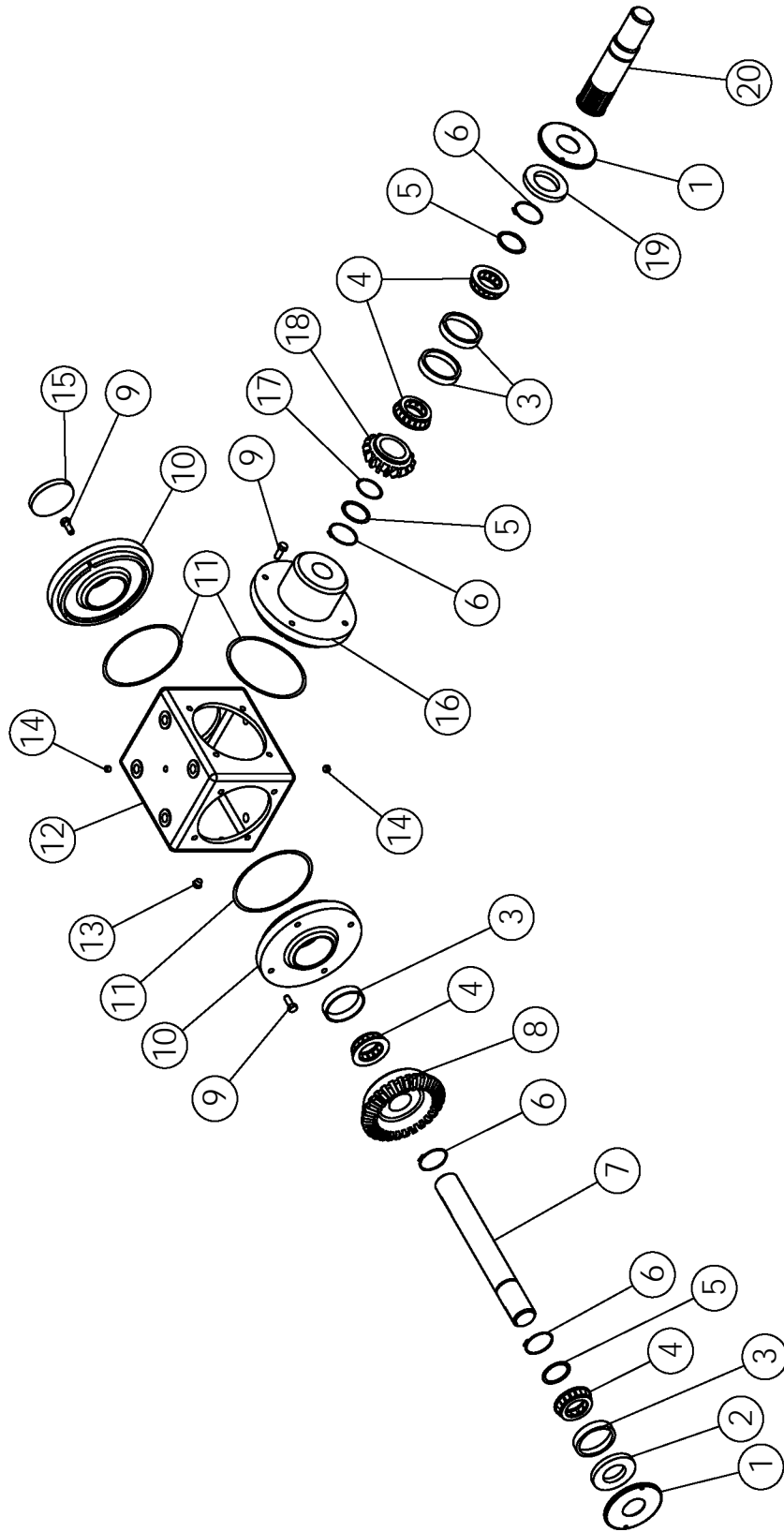
GEARBOX (1.81:1) #62396 (PRIMARY: ONBOARD OPTION)

ITEM	PART NO.	DESCRIPTION	QTY
1	62721	QUILL SHAFT	1
2	62722	SEAL: 2.00 - 3.26	1
3	62724	SNAP RING	2
4	62723	WASHER 2.00 X .13	2
5	62725	BEARING CONE	2
6	62726	BEARING CUP	2
7	62727	BEARING CUP	2
8	62728	BEARING CONE	2
9	62729	PINION-16 TOOTH	2
10	62730	SHIM: 1.75 X .007	3
11	62731	WASHER 1.75 X .179	2
12	62732	SNAP RING	2
13	62733	CASE-900 SERIES	1
14	64408	VENT PLUG: .50 NPT (SQ. HD.)	1
15	62735	PLUG: .50 NPT	1
16	62736	SHIM-COVER	2
17	62737	QUILL HOUSING	1
18	62738	BOLT-HEX: .38 X 1.00 NC GR5 NP	16
19	62739	QUILL SHAFT	1
20	62740	FLANGE: 'SAE B' -2.00 BOLT	1
21	62741	SFHCS: .38 X .75 NC GR5	4
22	62742	COVER-OPEN .38 NPT	1
23	62743	PLUG: .38 NPT	1
24	62744	OIL SEAL: 1.75 X .31	2
25	62745	BEARING CUP	2
26	62746	BEARING CONE	2
27	64410	GEAR-29 TOOTH	1
28	64409	THRU SHAFT	1



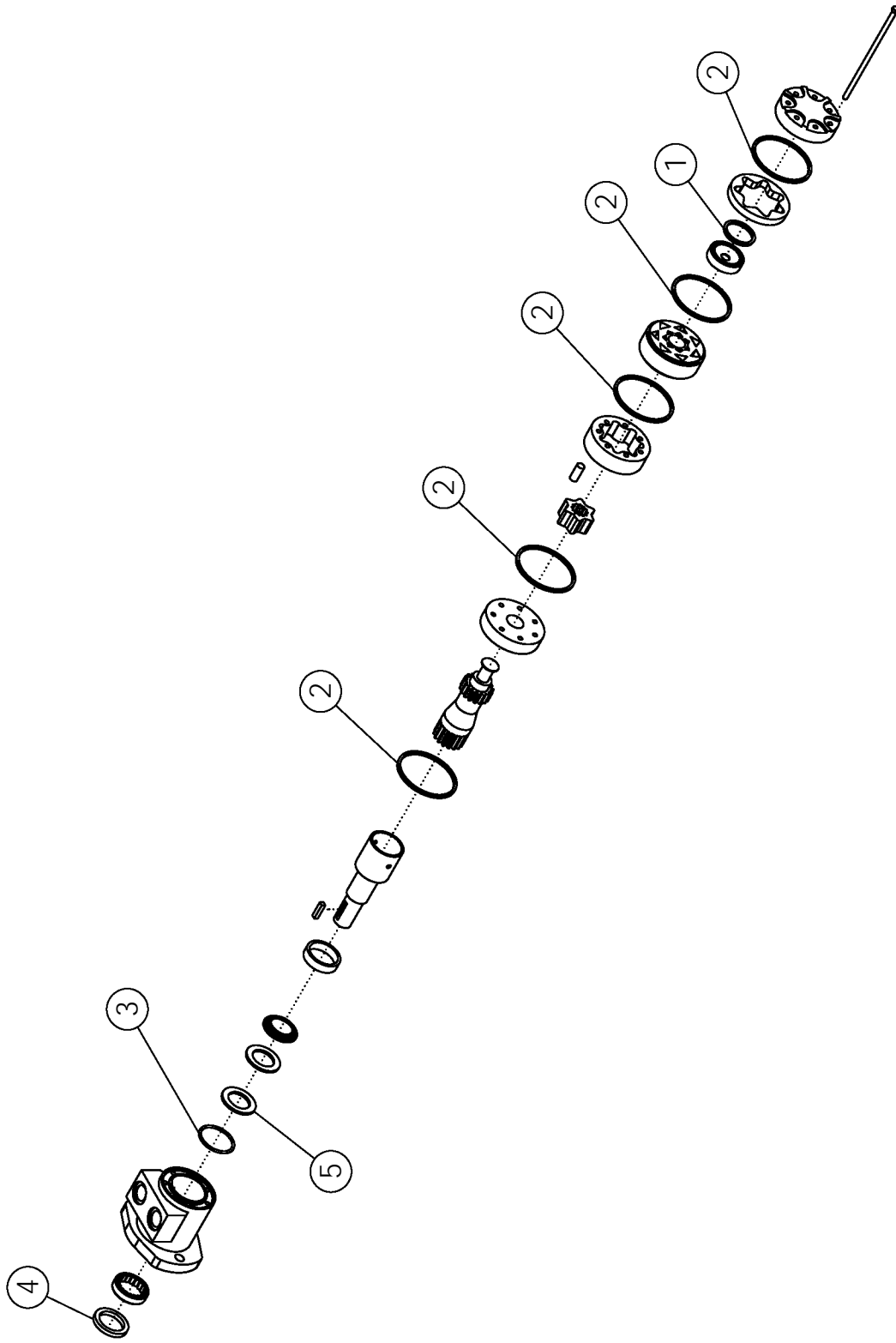
GEARBOX (1.35:1) #63847 (SECONDARY)

ITEM	PART NO.	DESCRIPTION	QTY
1	64435	QUILL SHAFT	1
2	64436	OIL SEAL	1
3	62732	SNAP RING	3
4	62731	WASHER 1.75 X .179	3
5	62746	BEARING CONE	3
6	62745	BEARING CUP	3
7	62727	BEARING CUP	1
8	64443	BEARING CONE	1
9	64444	GEAR-27 TOOTH	1
10	62730	SHIM: 1.75 X .007	1
11	62733	CASE-900 SERIES	1
12	64445	VENT PLUG: .50 NPT	1
13	62735	PLUG: .50 NPT	1
14	62736	SHIM-COVER	2
15	64434	PLATE	1
16	1011599	BOLT-HEX: .38 X .75 NC GR5 ZP	8
17	62738	BOLT-HEX: .375 X 1.00 NC GR5 NP	8
18	62742	COVER-OPEN .375 NPT	1
19	62743	PLUG: .375 NPT	1
20	62744	OIL SEAL: 1.75 X .313	2
21	64446	SPACER TUBE	1
22	64447	PINION-20T	1
23	64448	CROSS SHAFT	1



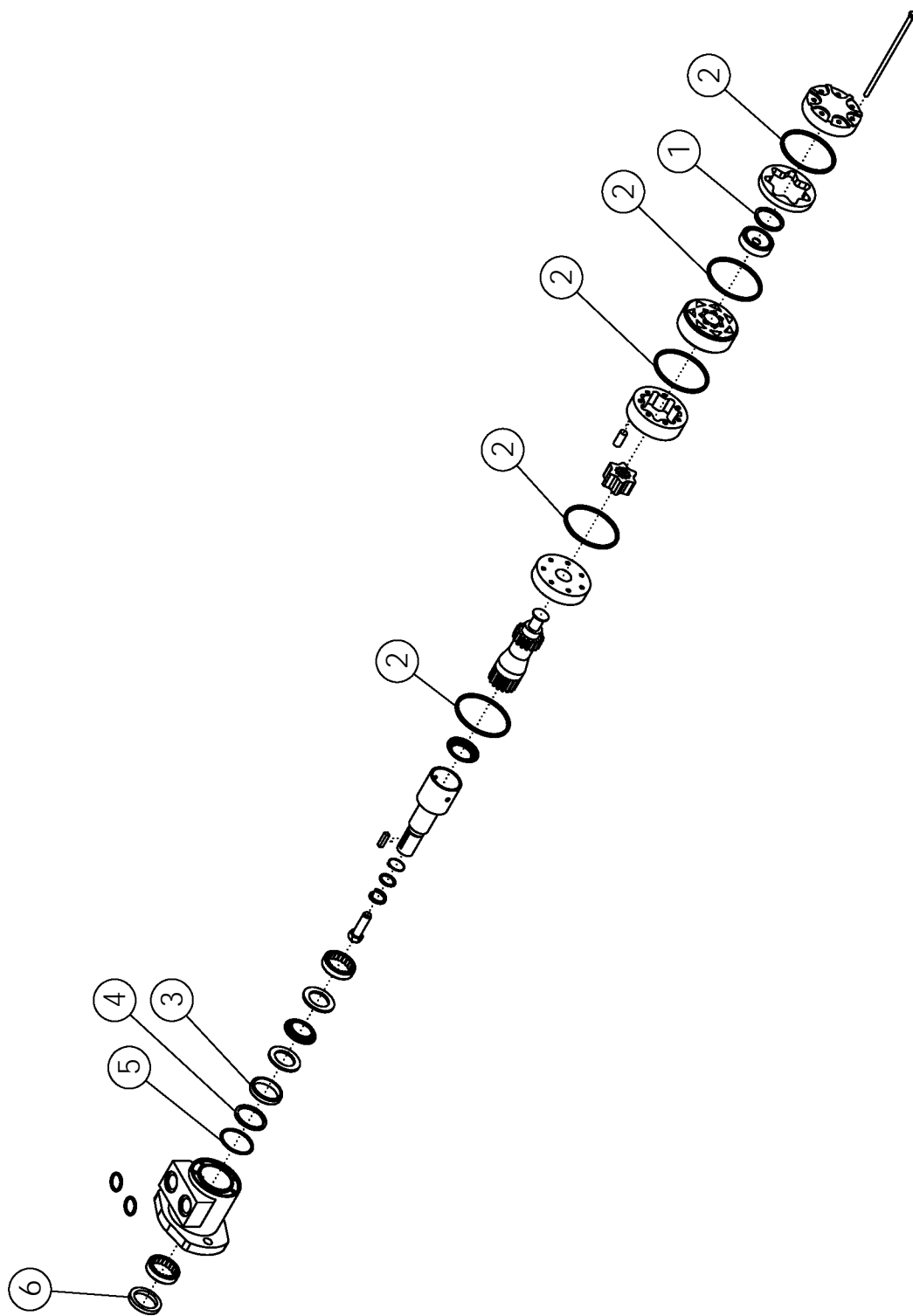
GEARBOX (1:1.35) # 63848 (REAR SCRUB)

ITEM	PART NO.	DESCRIPTION	QTY
1	64332	SHIELD	2
2	64449	OIL SEAL: 1.375 - 2.375	1
3	64450	BEARING CUP	4
4	64451	BEARING CONE	4
5	64452	WASHER: 2.00 X .179	3
6	64453	SNAP RING	4
7	64454	CROSS SHAFT	1
8	64455	GEAR-23 TOOTH	1
9	62738	BOLT-HEX: .38 X 1.00 NC GR5 NP	12
10	64456	COVER-OPEN	2
11	64457	SHIM-COVER	3
12	64458	CASE-M600-3 PORT	1
13	64333	T-VENT PLUG: .25 NPT (SQ. HD.)	1
14	62743	PLUG: .375 NPT	2
15	64459	EXPANSION PLUG	1
16	64460	COVER	1
17	64461	SHIM: 1.375 X .007	1
18	64462	PINION-17T	1
19	64463	OIL SEAL: 1.375 - 2.562	1
20	64464	PINION SHAFT	1



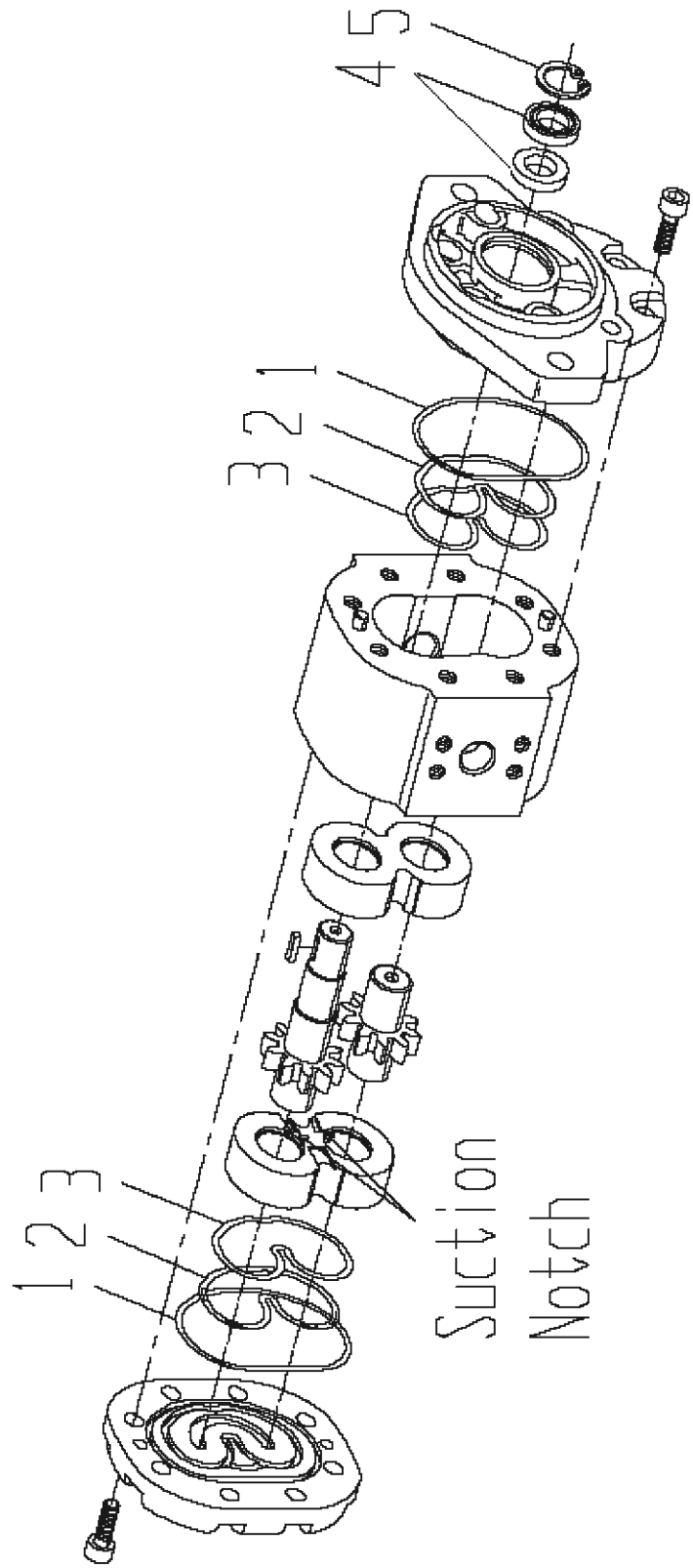
MOTOR: 13.9 in³ #57687

ITEM	PART NO.	DESCRIPTION	QTY
	57881	SEAL KIT	
1		COMMUTATOR SEAL	1
2		SEAL RING	5
3		BACKUP WASHER	1
4		DIRT & WATER SEAL	1
5		INNER SEAL	1



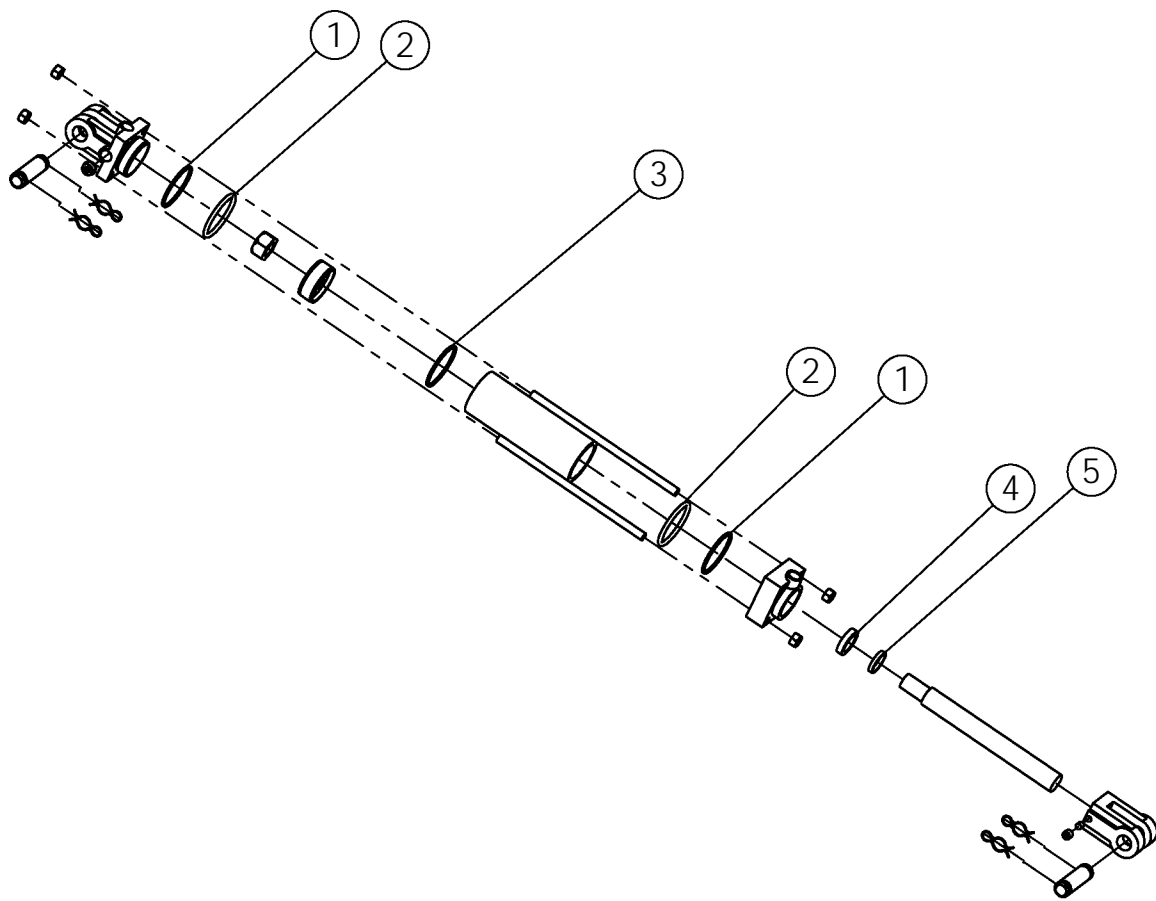
MOTOR: 32.3 IN³ #57686

ITEM	PART NO.	DESCRIPTION	QTY
	57880	SEAL KIT	
1		COMMUTATOR SEAL	1
2		SEAL RING	5
3		INNER SEAL	1
4		BACKUP WASHER	1
5		BACKUP WASHER	1
6		DIRT & WATER SEAL	1



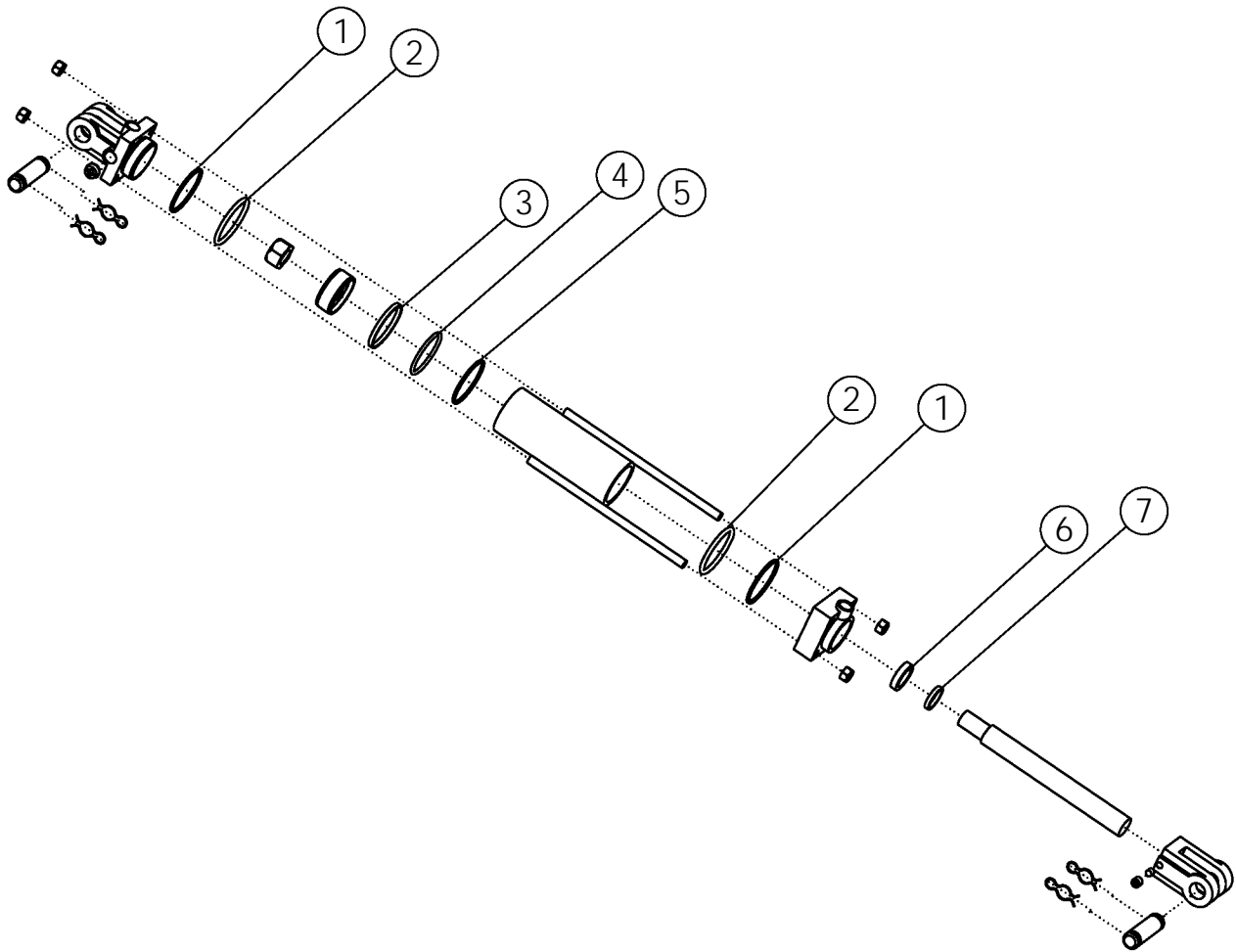
HYDRAULIC PUMP #62153

ITEM	PART NO.	DESCRIPTION	QTY
	59761	KIT-SEAL: PUMP PZG3A	
1		BODY O-RING	
		LOADING O-RING	2
2		LOADING O-RING BACK-UP	2
3		SHAFT SEAL	2
4		SNAP RING	2
5			1



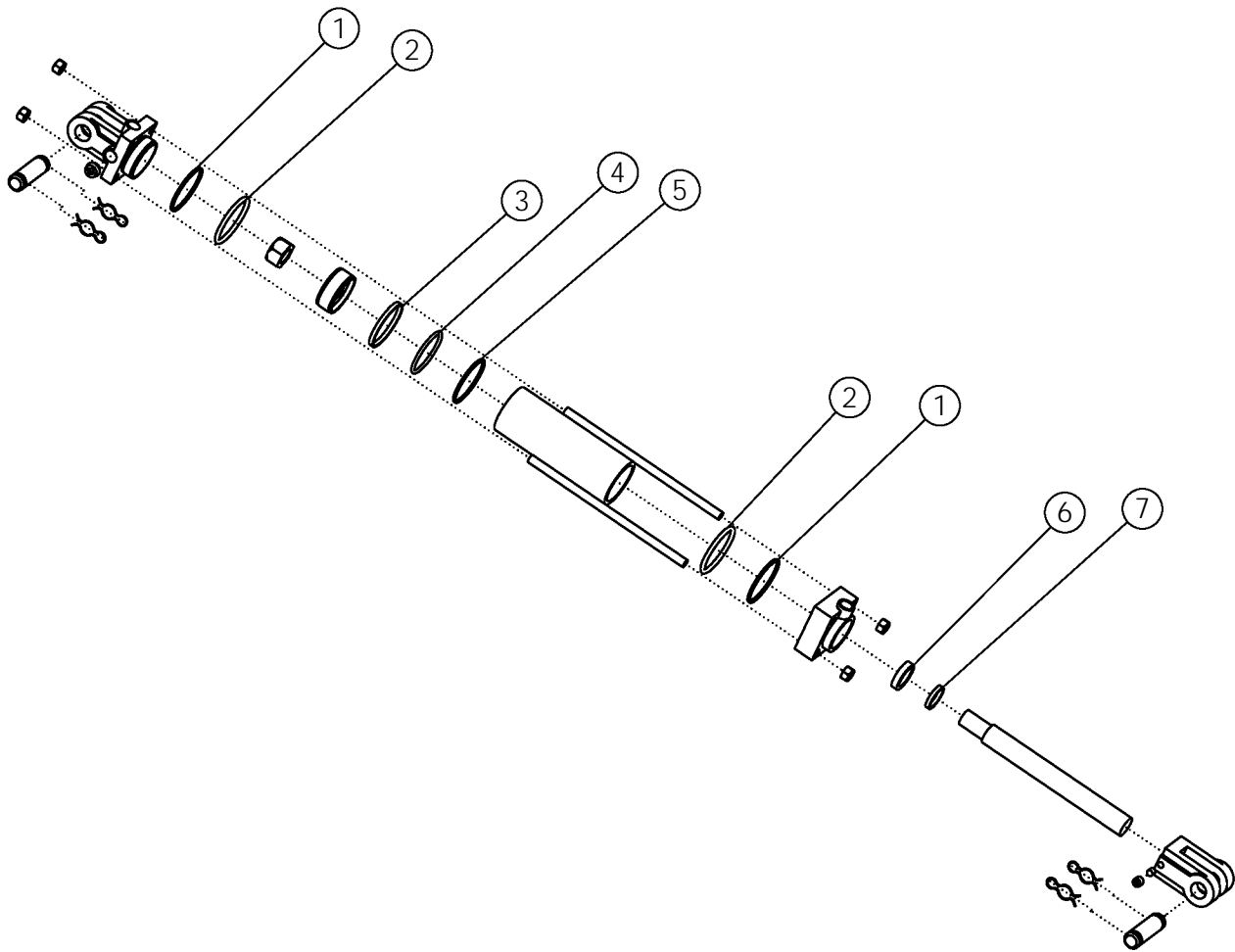
HYDRAULIC CYLINDER: 2.5X16 #58889

ITEM	PART NO.	DESCRIPTION	QTY
	59242	SEAL KIT - CYLINDER 2.5"; 3000 PSI	
1		BACKUP WASHER - END CAP	2
2		O-RING - END CAP	2
3		PISTON SEAL	1
4		ROD SEAL	1
5		ROD DUST SEAL	1



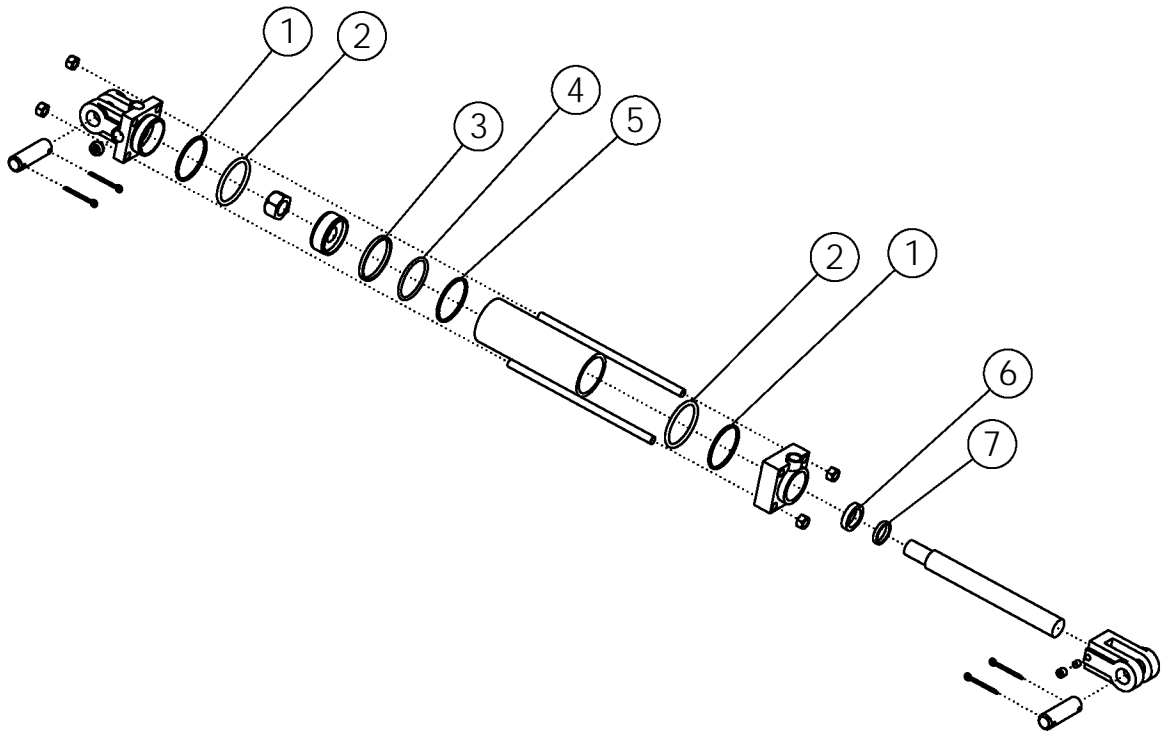
HYDRAULIC CYLINDER: 3X8 #58890

ITEM	PART NO.	DESCRIPTION	QTY
	59243	SEAL KIT - CYLINDER 3"; 3000 PSI	
1		BACKUP WASHER - END CAP	2
2		O-RING END CAP	2
3		WEAR RING - PISTON	1
4		O-RING	1
5		PISTON SEAL	1
6		SEAL-ROD WIPER	1
7		SEAL-ROD DUST	1



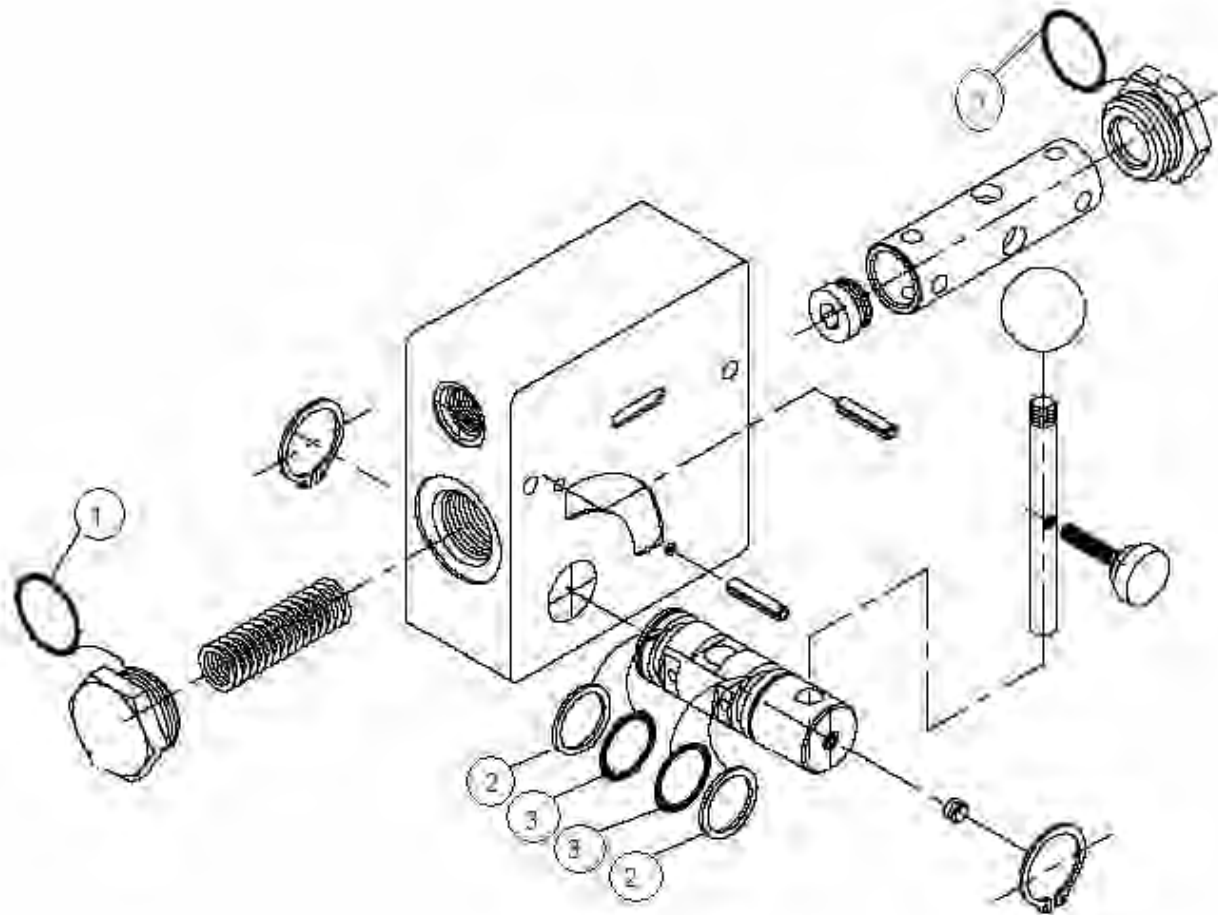
HYDRAULIC CYLINDER: 4X8 #58891

ITEM	PART NO.	DESCRIPTION	QTY
	59244	SEAL KIT - CYLINDER 4"; 3000 PSI	
1		BACKUP WASHER-END CAP	2
2		O-RING-END CAP	2
3		WEAR RING-PISTON	1
4		O-RING	1
5		PISTON SEAL	1
6		SEAL-ROD WIPER	1
7		SEAL-ROD DUST	1



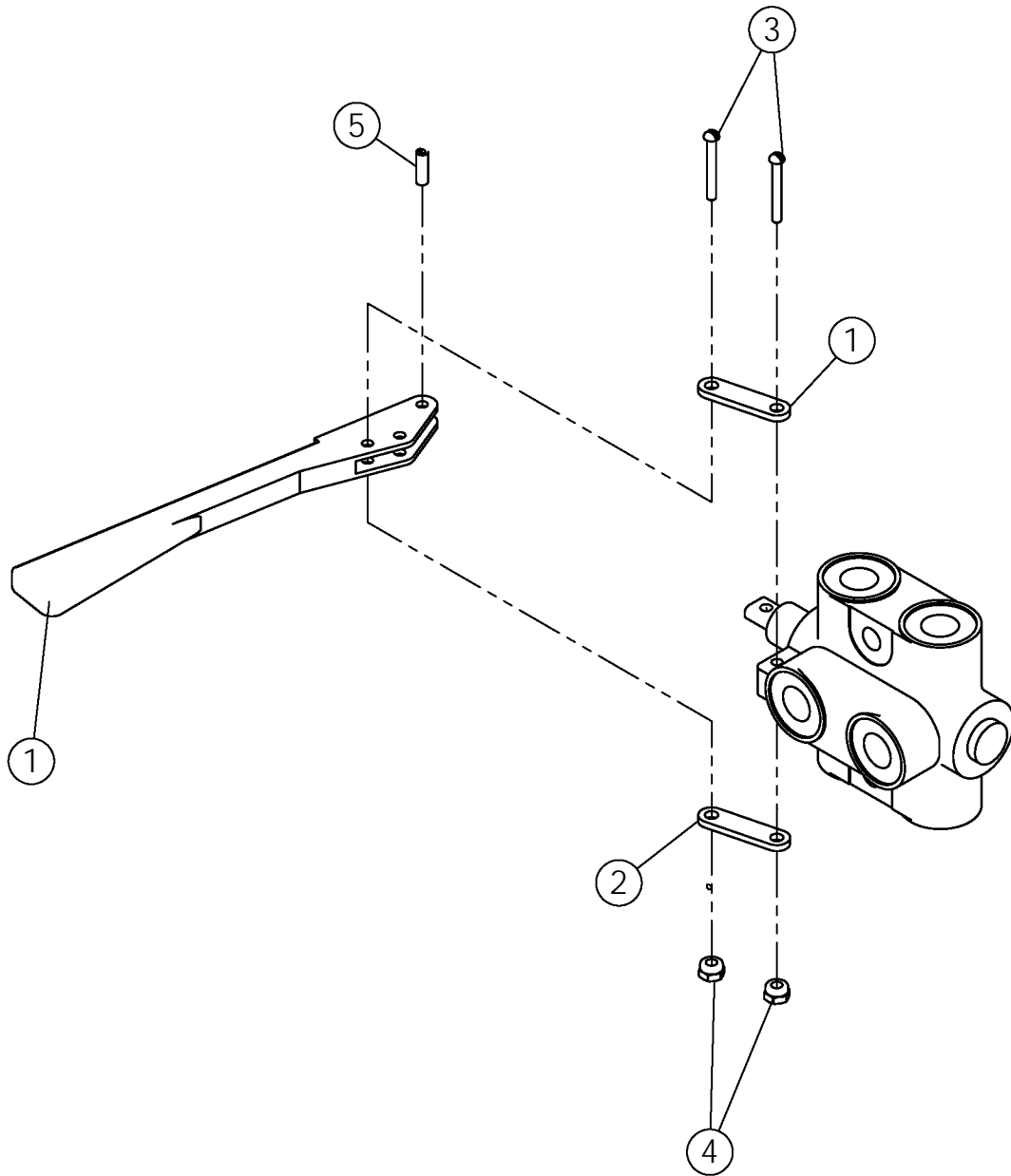
HYDRAULIC CYLINDER: 4X10 #62082

ITEM	PART NO.	DESCRIPTION	QTY
	59244	SEAL KIT - CYLINDER 4"; 3000 PSI	
1		BACKUP WASHER - END CAP	2
2		O-RING - END CAP	2
3		WEAR RING	1
4		O-RING	1
5		PISTON SEAL	1
6		SEAL-ROD WIPER	1
7		SEAL-ROD DUST	1



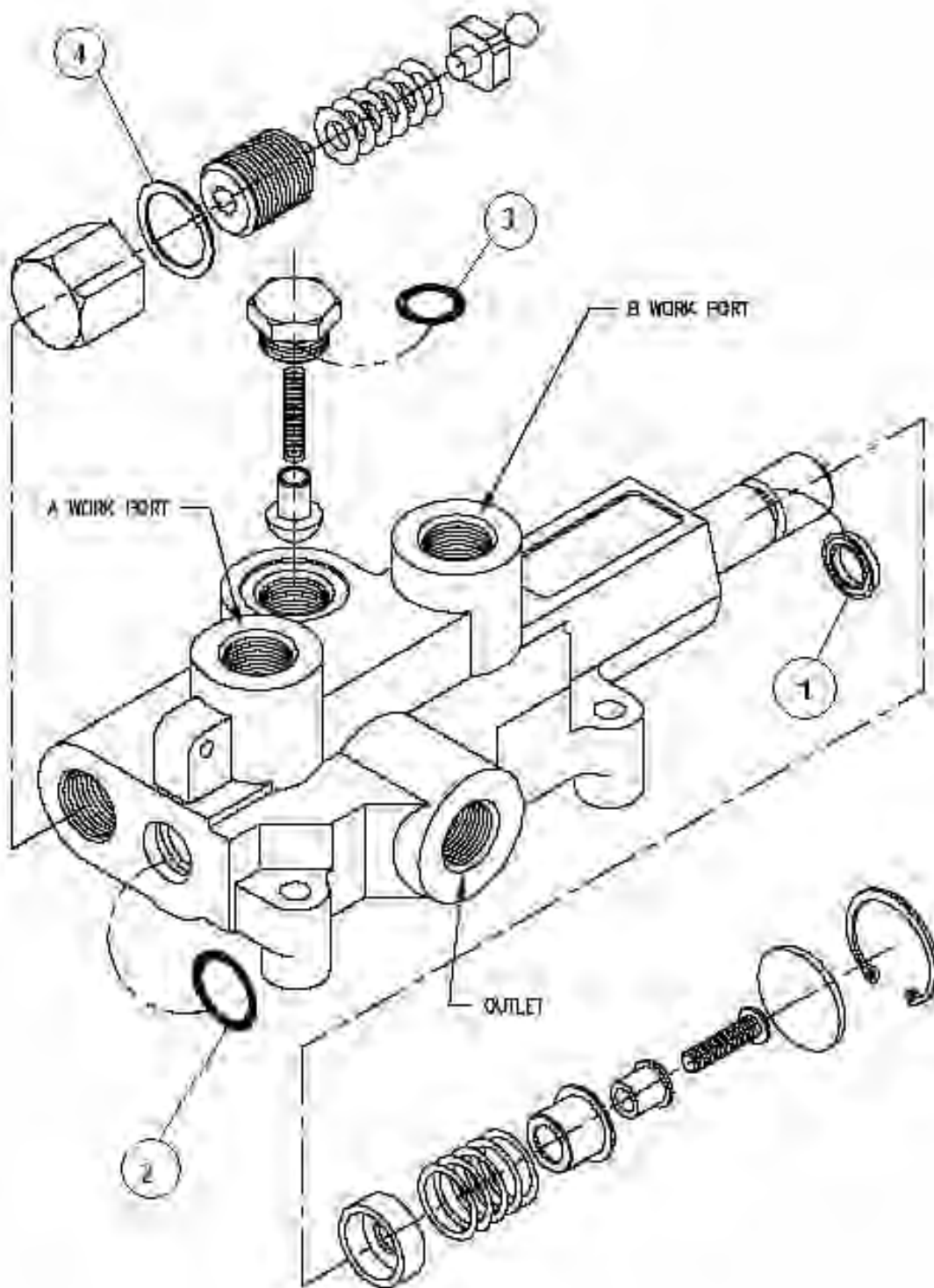
FLOW CONTROL VALVE #58985

ITEM	PART NO.	DESCRIPTION	QTY
	64414	SEAL KIT	
1		O-RING	2
2		BACK-UP WASHER	2
3		O-RING	2



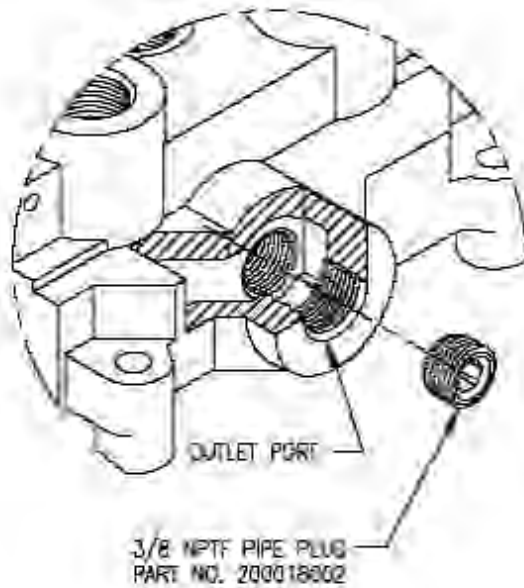
SELECTOR VALVE #58470

ITEM	PART NO.	DESCRIPTION	QTY
	64432	QUAD RING SEAL KIT	2
	58470-1	HANDLE KIT	1
1	68060	PLATE-TAB SELECTOR VALVE ZP	2
2	1011303	SCREW-MACH RND SLT: #10-24 X 1.25	2
3	65712	NUT-NYLOCK: 10-24 GR2 SS	2
4		HANDLE	1
5		SPRING PIN	1



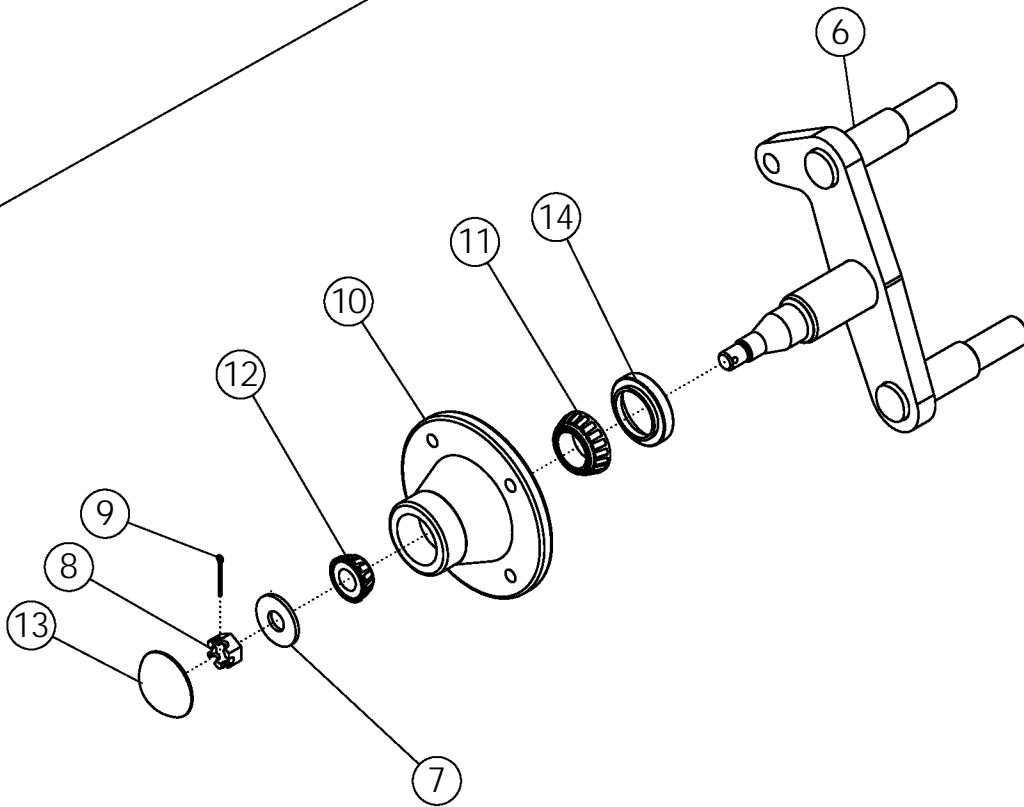
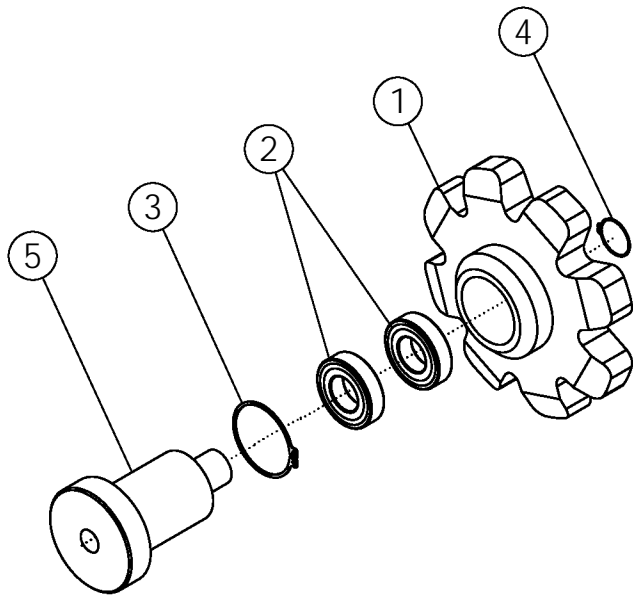
ROW FINDER VALVE #62350

ITEM	PART NO.	DESCRIPTION	QTY
	62757	SEAL KIT	
1		U-CUP	1
2		O-RING	1
3		O-RING	1
4		ALUMINUM WASHER	1



OPEN CENTER TO CLOSED CENTER CONVERSION

THIS FEATURE ALLOWS AN OTHERWISE OPEN CENTER VALVE TO BE CONVERTED TO CLOSED CENTER OPERATION. AS SHOWN ABOVE, A 3/8 NPTF PIPE PLUG IS INSTALLED IN THE BOTTOM OF THE OUTLET PORT TO BLOCK OPEN CENTER PASSAGE. A PIPE THREAD SEALANT SHOULD BE USED. THIS FEATURE IS STANDARD ON ALL VALVES WITH 3/4 NPTF INLET AND OUTLET PORTS. THE PIPE PLUG IS INCLUDED WITH THESE MODELS. DISCARD THE PIPE PLUG IF THE VALVE IS USED ON AN OPEN CENTER APPLICATION.



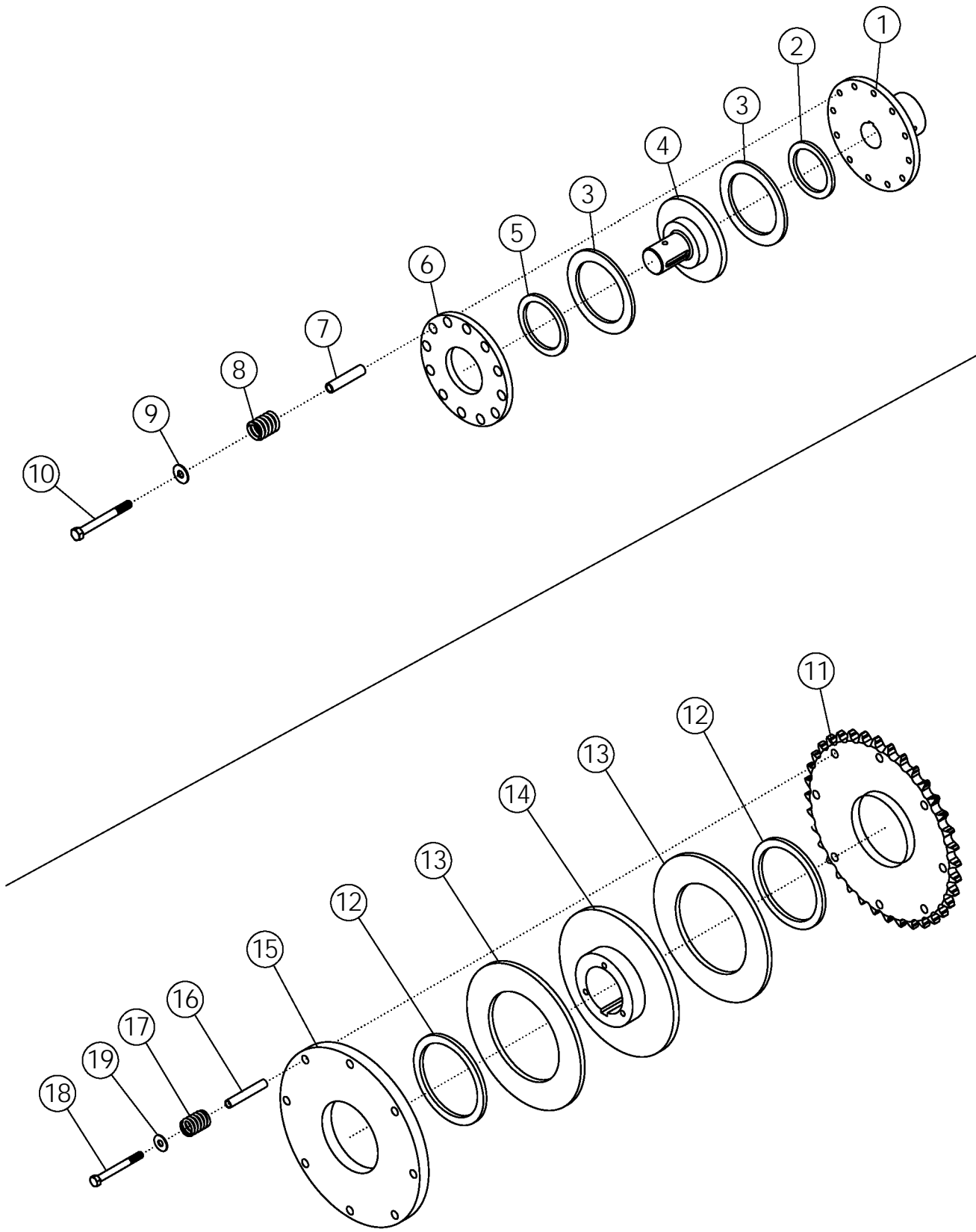
SPROCKET #54824

ITEM	PART NO.	DESCRIPTION	QTY
1	56893	SPROCKET 56MM 8T	1
2	54108	BEARING 2"	2
3	54151	SNAP RING SR11	1
4	54154	SNAP RING SR3	1
5	56892	STUB SHAFT	1

BELT TIGHTENER #56422

ITEM	PART NO.	DESCRIPTION	QTY
6	56421	WLDMT - SPINDLE	1
7	1013623	BUSHING-MACH: .63 NP	1
8	1013625	NUT-HEX: SLOT .63 NF GR5 ZP	1
9	1013626	PIN-COTTER: .16 X 1.25 ZP	1
10	1015157*	HUB	1
11	1012356*	CONE-BEARING	1
12	1013620*	CONE-BEARING	1
13	1013622*	HUB CAP	1
14	1029527*	SEAL	1
15	56951	ASSY-HUB	1

*Items are included in item 15



SLIP CLUTCH (IN-LINE) #57926

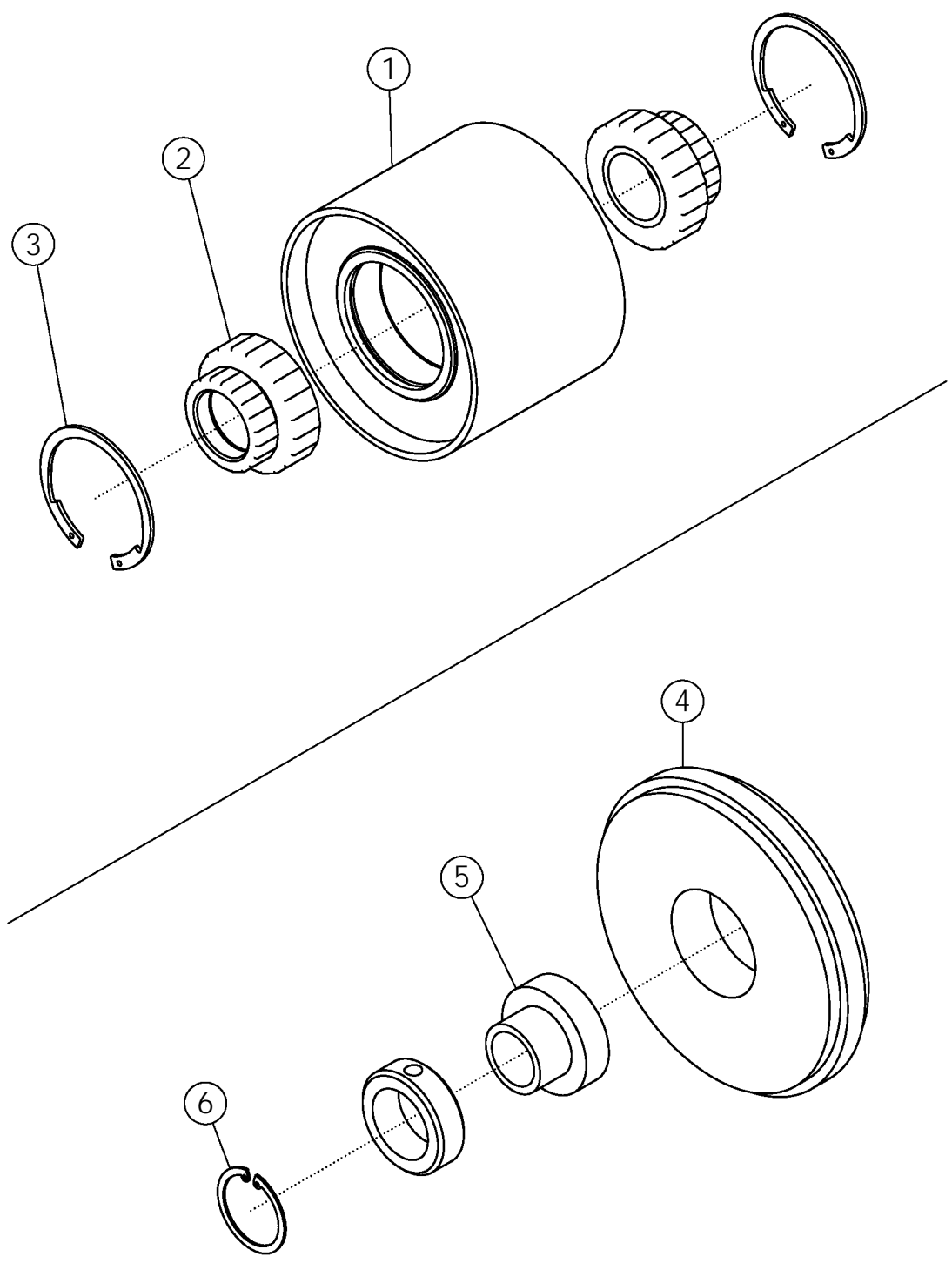
ITEM	PART NO.	DESCRIPTION	QTY
1	58168	HUB-DRIVE	1
2	58169	BUSHING-BRONZE	1
3	58170	DISC-FIBER	2
4	58171	HUB-SLIP CLUTCH	1
5	58172	BUSHING-BRONZE	1
6	58173	PLATE-SLIP CLUTCH	1
7	58565	TUBE-SLIP CLUTCH	6
8	58174	SPRING-SLIP CLUTCH	6
9	1011828	WASHER-FLAT: .38 ZP	6
10	1013239	BOLT-HEX: .38 X 3.00 NC GR5 ZP	6

SLIP CLUTCH/SPOCKET #57993

ITEM	PART NO.	DESCRIPTION	QTY
11	58177	SPROCKET	1
12	58207	BUSHING-BRONZE	2
13	58215	DISC-FIBER	2
14	58209	HUB-CLUTCH	1
15	58211	PLATE-SLIP CLUTCH	1
16	58213	TUBE-SLIP CLUTCH (2.870")	8
17	58174	SPRING-SLIP CLUTCH	8
18	58176	BOLT-HEX: .38 X 3.50 NC GR5 ZP	8
19	1011828	WASHER-FLAT: .38 ZP	8

SLIP CLUTCH/SPOCKET #58335

ITEM	PART NO.	DESCRIPTION	QTY
11	58566	SPROCKET	1
12	58208	BUSHING-BRONZE	2
13	58216	DISC-FIBER	2
14	58210	HUB-CLUTCH	1
15	58212	PLATE-SLIP CLUTCH	1
16	58565	TUBE-SLIP CLUTCH (PTG)	6
17	58174	SPRING-SLIP CLUTCH	6
18	1013239	BOLT-HEX: .38 X 3.00 NC GR5 ZP	6
19	1011828	WASHER-FLAT: .38 ZP	6

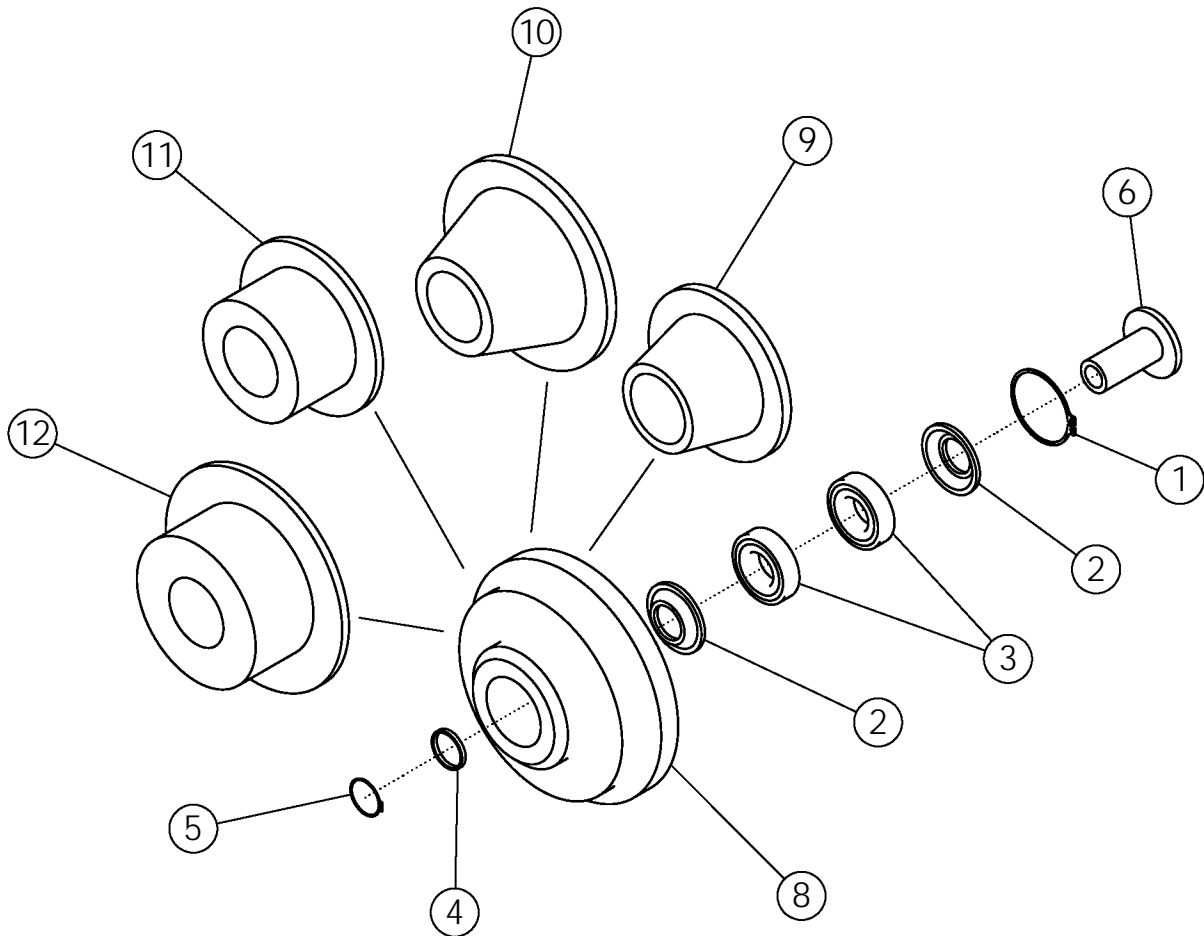
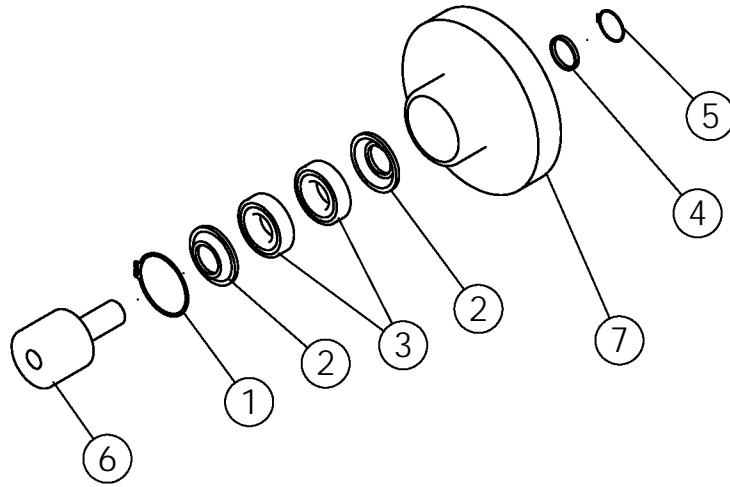


IDLER PULLEY #56406

ITEM	PART NO.	DESCRIPTION	QTY
1	56405	WLDMT-PULLEY	1
2	56399	BALL BEARING 1.75	2
3	56400	RETAINING RING	2

SPROCKET IDLER #56851

ITEM	PART NO.	DESCRIPTION	QTY
4	58807	ROLLER-IDLER	1
5	58806	BEARING-IDLER	1
6	58805	SNAP-RING	1

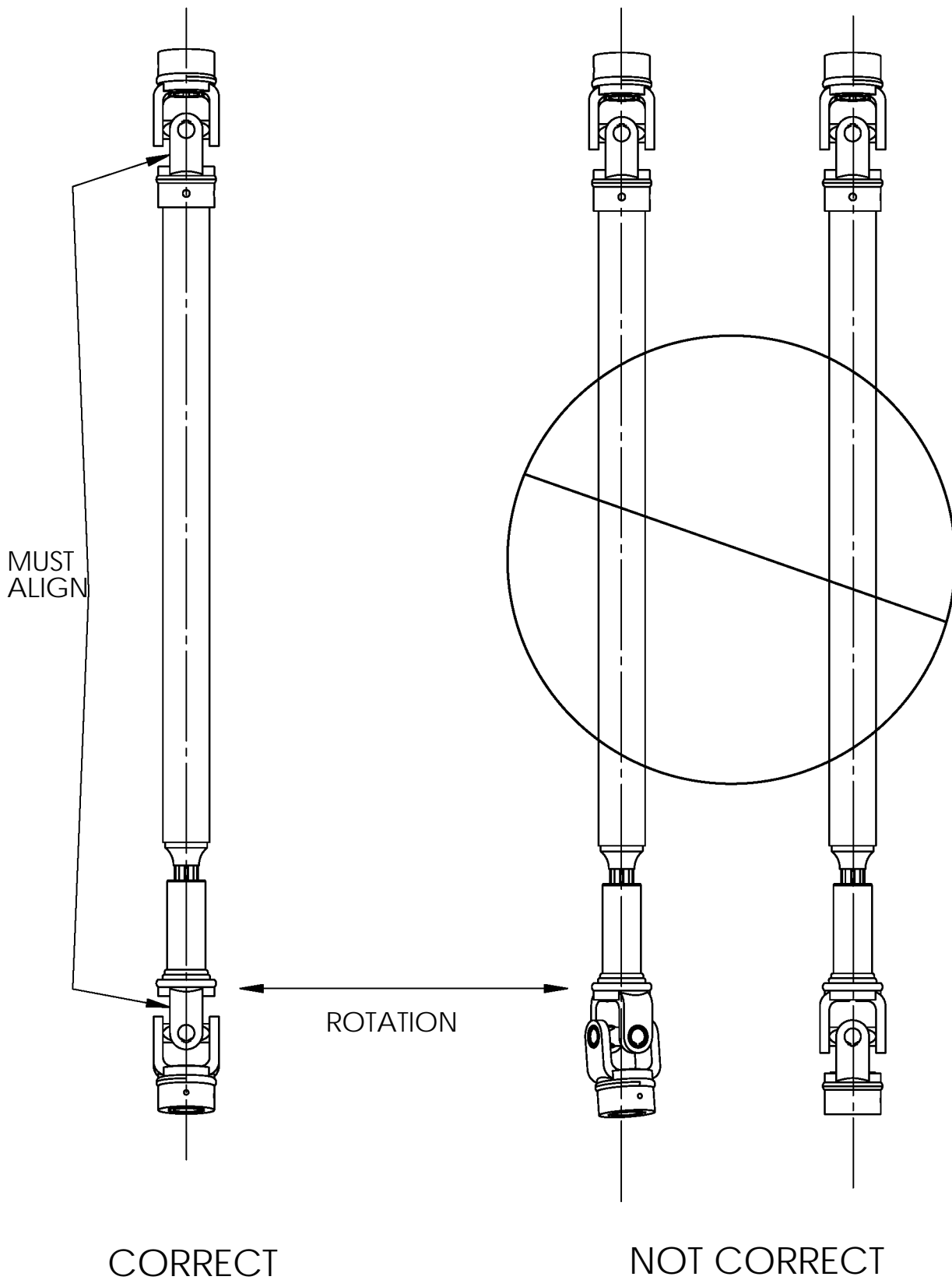


ROLLERS

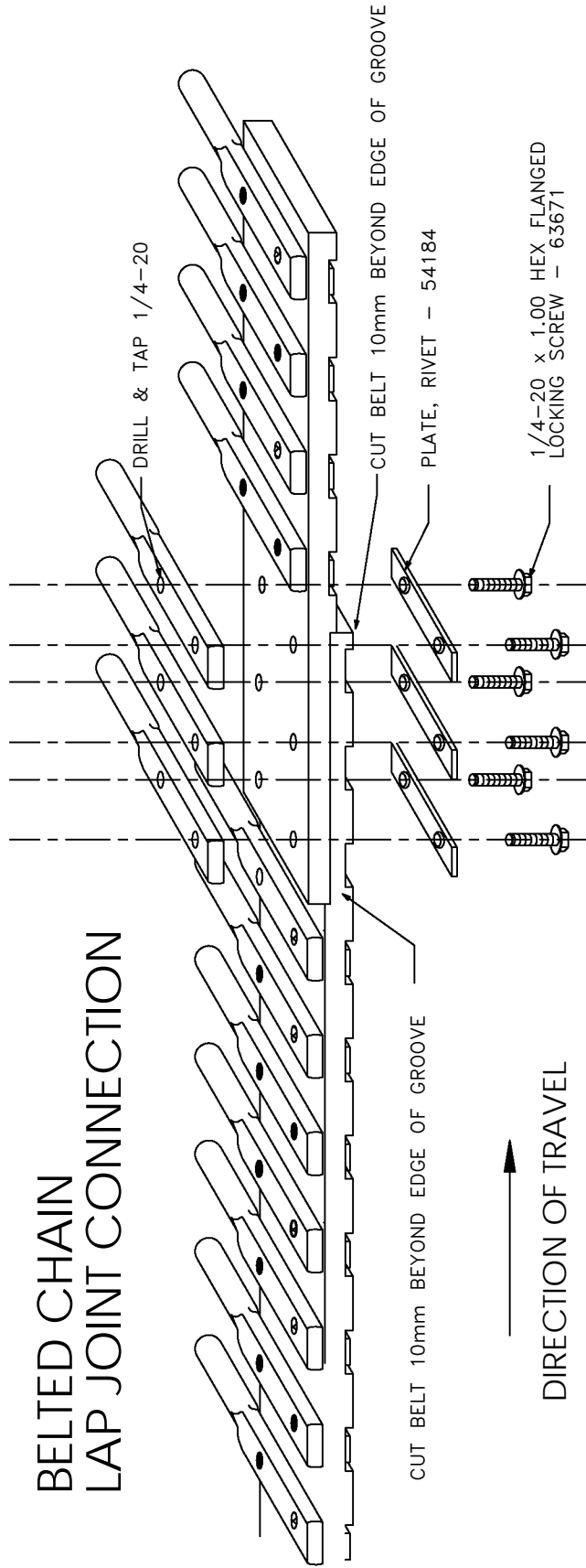
ITEM	PART NO.	DESCRIPTION	QTY
1	54151	SNAP RING SR11	1
2	54152	WASHER	2
3	54108	BEARING 2"	2
4	54153	SPACER-NRS	1
5	54154	SNAP RING SR3	1
6	56885	STUB SHAFT	1
7	54042*	ROLLER-STEP 6"	1
6	56889	STUB SHAFT	1
8	53951*	ROLLER-STEP FLANGE 7"	1
6	54155	STUB SHAFT	1
9	53699*	ROLLER-CONE 4"	1
6	54155	STUB SHAFT	1
10	53950*	ROLLER-CONE 6"	1
6	56887	STUB SHAFT	1
11	54041*	ROLLER-RUBBER FLANGE 5"	1
6	54155	STUB SHAFT	1
12	59057*	ROLLER-RUBBER FLANGE 6.5"	1

* COMES WITH ITEMS 1-6

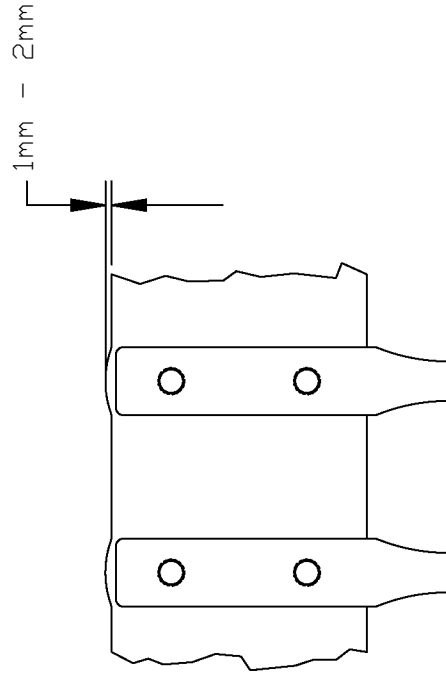
SCRUB DRIVELINE ASSEMBLY



BELTED CHAIN LAP JOINT CONNECTION



WARNING : ENSURE THAT SCREWS ARE SUFFICIENTLY TIGHT TO PRODUCE A BULGE AT THE EDGE OF THE BELT OF BETWEEN 1 AND 2mm (SEE DIAGRAM). FAILURE TO DO SO MAY CAUSE PREMATURE FAILURE AND VOID YOUR WARRANTY

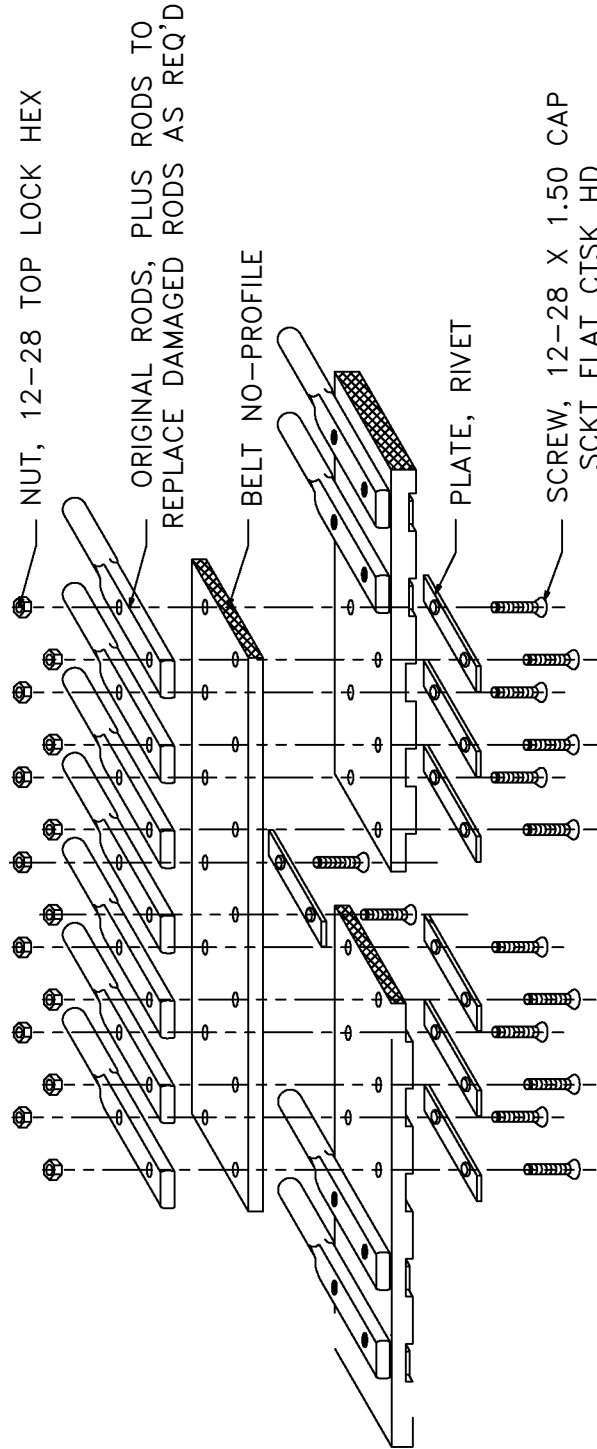


- .50 Ø RODS
- DRILL & TAP .250-20
- STRAIGHT - #59168
- UP - #64757
- DOWN - #59169

REPAIR KIT - BELTED CHAIN #59180

KIT CONSISTS OF:

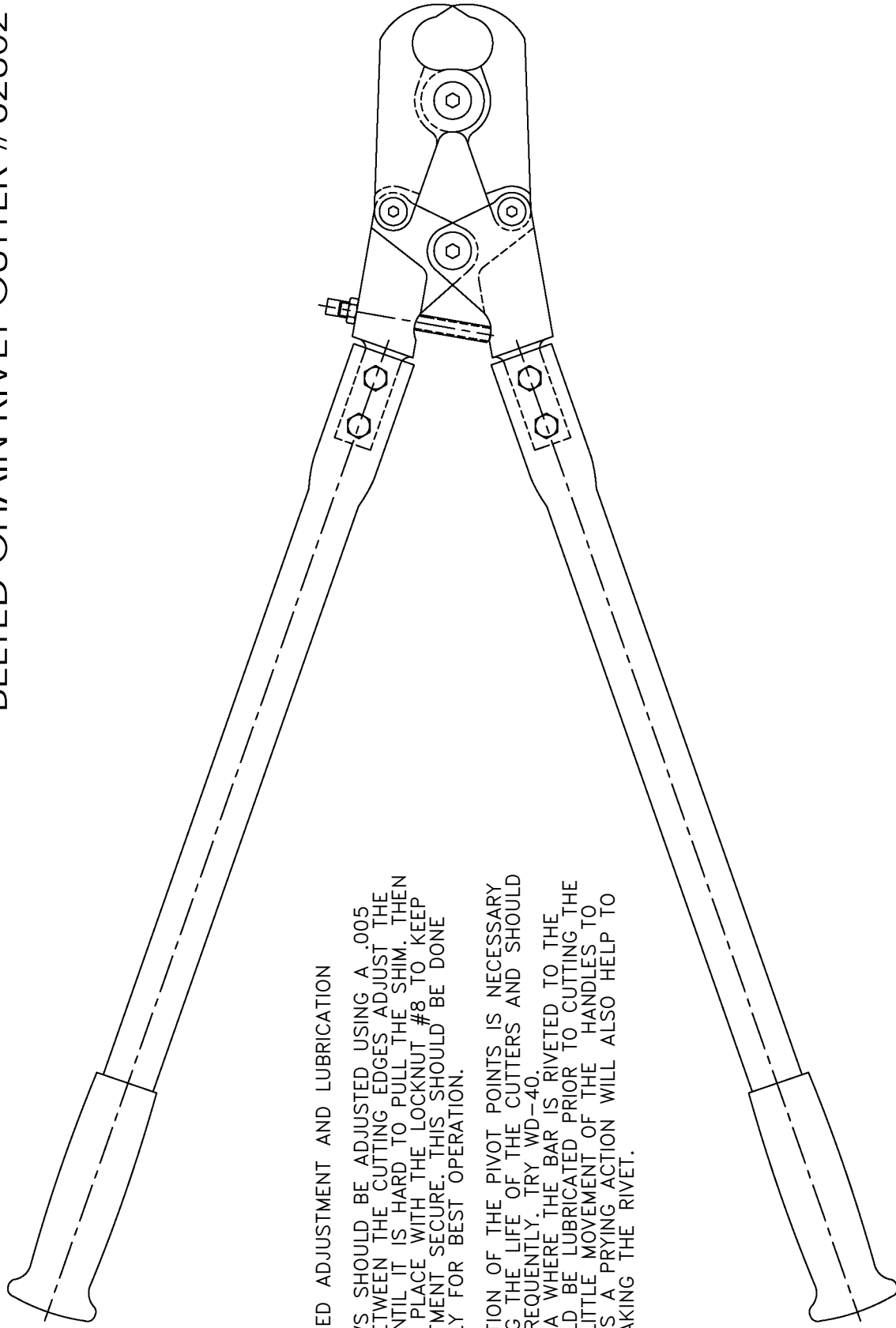
- 1.25 FT - BELT, NO-PROFILE
- 8 EA - PLATE, RIVET
- 16 EA - SCREW
- 16 EA - NUT



REPAIR PROCEDURE

1. REMOVE RIVETS 3 PITCHES (MIN) EACH SIDE OF DAMAGED BELT.
2. TRIM OUT DAMAGED BELT.
3. CUT NO-PROFILE BELT TO GIVE MINIMUM OF 3 PITCHES OVERLAP BOTH SIDES OF DAMAGE.
4. LAY NO-PROFILE BELT ON BELT TO BE REPAIRED AND DRILL HOLES TO MATCH PITCH.
5. ASSEMBLE AS SHOWN.
6. TIGHTEN SCREWS TO FORM APPROXIMATELY 2mm BELT SWELL AT BOLTED JOINT.
7. CUT OFF SCREWS NEXT TO NUTS.
8. PEEN SCREWS TO SECURE NUTS.

BELTED CHAIN RIVET CUTTER #62802



RECOMMENDED ADJUSTMENT AND LUBRICATION

1. THE JAWS SHOULD BE ADJUSTED USING A .005 IN. SHIM BETWEEN THE CUTTING EDGES. ADJUST THE BOLT #7 UNTIL IT IS HARD TO PULL THE SHIM. THEN LOCK IT IN PLACE WITH THE LOCKNUT #8 TO KEEP THE ADJUSTMENT SECURE. THIS SHOULD BE DONE PERIODICALLY FOR BEST OPERATION.
2. LUBRICATION OF THE PIVOT POINTS IS NECESSARY TO PROLONG THE LIFE OF THE CUTTERS AND SHOULD BE DONE FREQUENTLY. TRY WD-40.
3. THE AREA WHERE THE BAR IS RIVETED TO THE BELT SHOULD BE LUBRICATED PRIOR TO CUTTING THE RIVETS. A LITTLE MOVEMENT OF THE HANDLES TO THE SIDE AS A PRYING ACTION WILL ALSO HELP TO FINISH BREAKING THE RIVET.