

# PARTS MANUAL

2008

2500 HARVESTER WHEEL

6 ROW 30

**Amity**  
TECHNOLOGY



2800 7<sup>th</sup> Avenue North  
Fargo, ND 58102

Phone: (701) 232-4199  
Fax: (701) 234-1716  
[www.amitytech.com](http://www.amitytech.com)



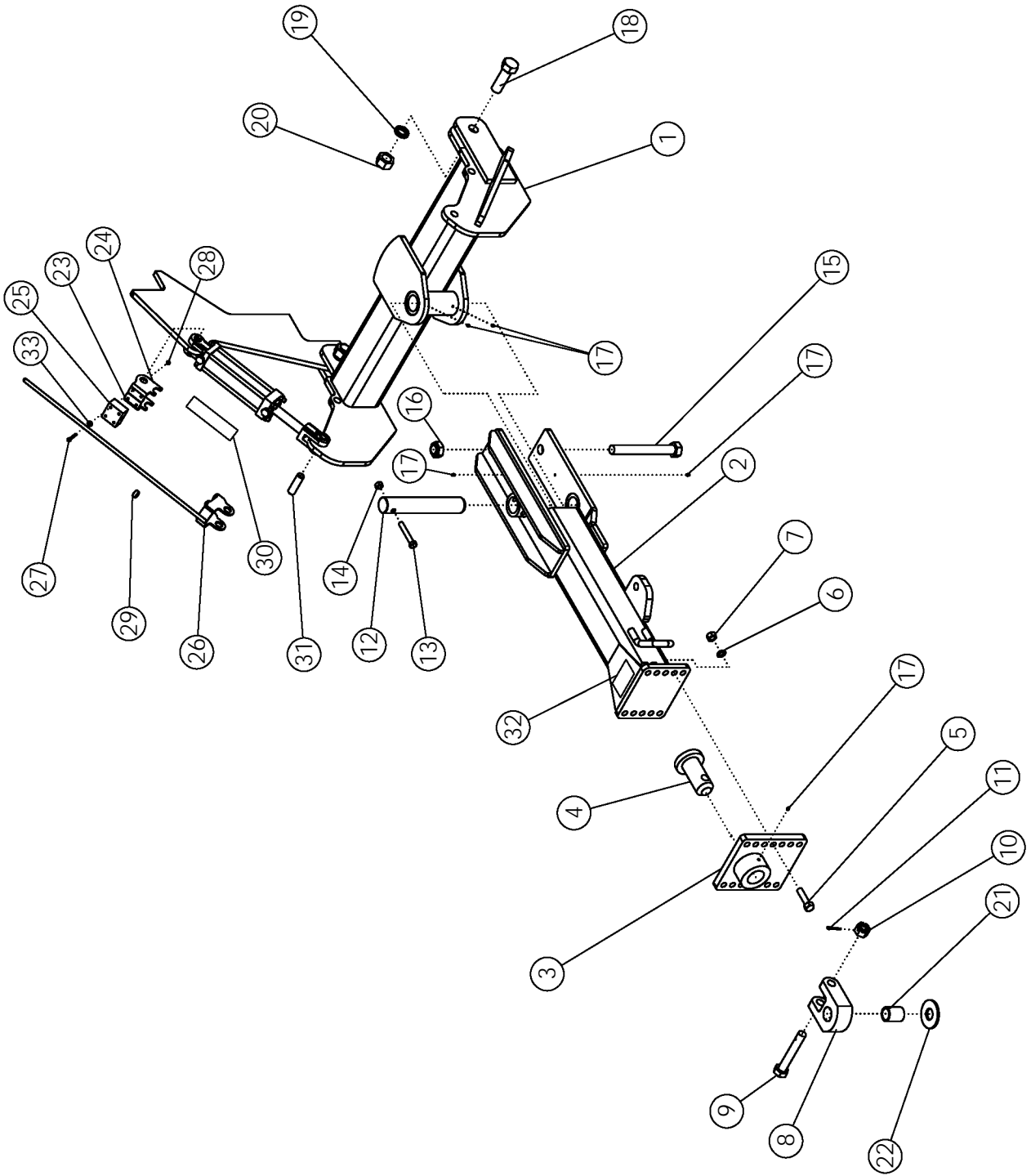
# TABLE OF CONTENTS

HITCH ASSEMBLY.....	1-2
LIFTER STRUT.....	3-10
ROW FINDER #51486.....	11-14
GUARDS & SHIELDS.....	15-16
DOOR ASSEMBLY.....	17-18
APRON SHAFT.....	19-24
PADDLE SHAFT.....	25-26
CLEANING ROLLS.....	27-30
CLEANING ROLL MOUNTING PACKAGE.....	31-32
MAIN DRIVE: ONBOARD OPTION.....	33-34
CLEANING ROLL DRIVE.....	35-36
APRON/PADDLE SHAFT DRIVE.....	37-38
TANK.....	39-40
ELEVATOR AND BOOM ASSEMBLY.....	41-44
BOOM EXTENSION 50MM/56MM (OPTIONAL).....	45-46
WHEEL ASSEMBLY.....	47-48
WHEEL CONVEYOR.....	49-50
WHEEL DRIVE.....	51-52
FRAME EXTENSION.....	53-54
WHEEL CLEANER (OPTIONAL).....	55-56
STANDARD REAR STRUTS.....	57-60
STEERABLE REAR STRUTS.....	61-64
ROW FINDER & HITCH HYDRAULICS.....	65-6
SELF- CONTAINED HYDRAULIC SYSTEM.....	67-68
TRACTOR HYDRAULIC DRIVE.....	69-70
TANK HYDRAULICS.....	71-72
HYDRAULIC TANK.....	73-74
LIGHT KIT.....	75-76
REVERSE #4 CLEANING ROLL #62111 (OPTIONAL).....	77-78
HARVESTER STAND #63357 (OPTIONAL).....	79-80
PTO DRIVELINE 1.75" – 20 SPLINE #51481.....	81-82
PTO DRIVELINE 1.38" – 21 SPLINE #51480.....	83-84
GEARBOX (1.81:1): ONBOARD OPTION #62396.....	85-86
MOTOR (13.9 IN <sup>3</sup> ) #57687.....	87-88
MOTOR (32.3 IN <sup>3</sup> ) #57686.....	89-90
MOTOR (6 IN <sup>3</sup> ) #59674.....	91-92
MOTOR (20 IN <sup>3</sup> ) #59449.....	93-94
HYDRAULIC PUMP #62153.....	95-96
HYDRAULIC CYLINDER (2.5 X 16") #58889.....	97-98

---

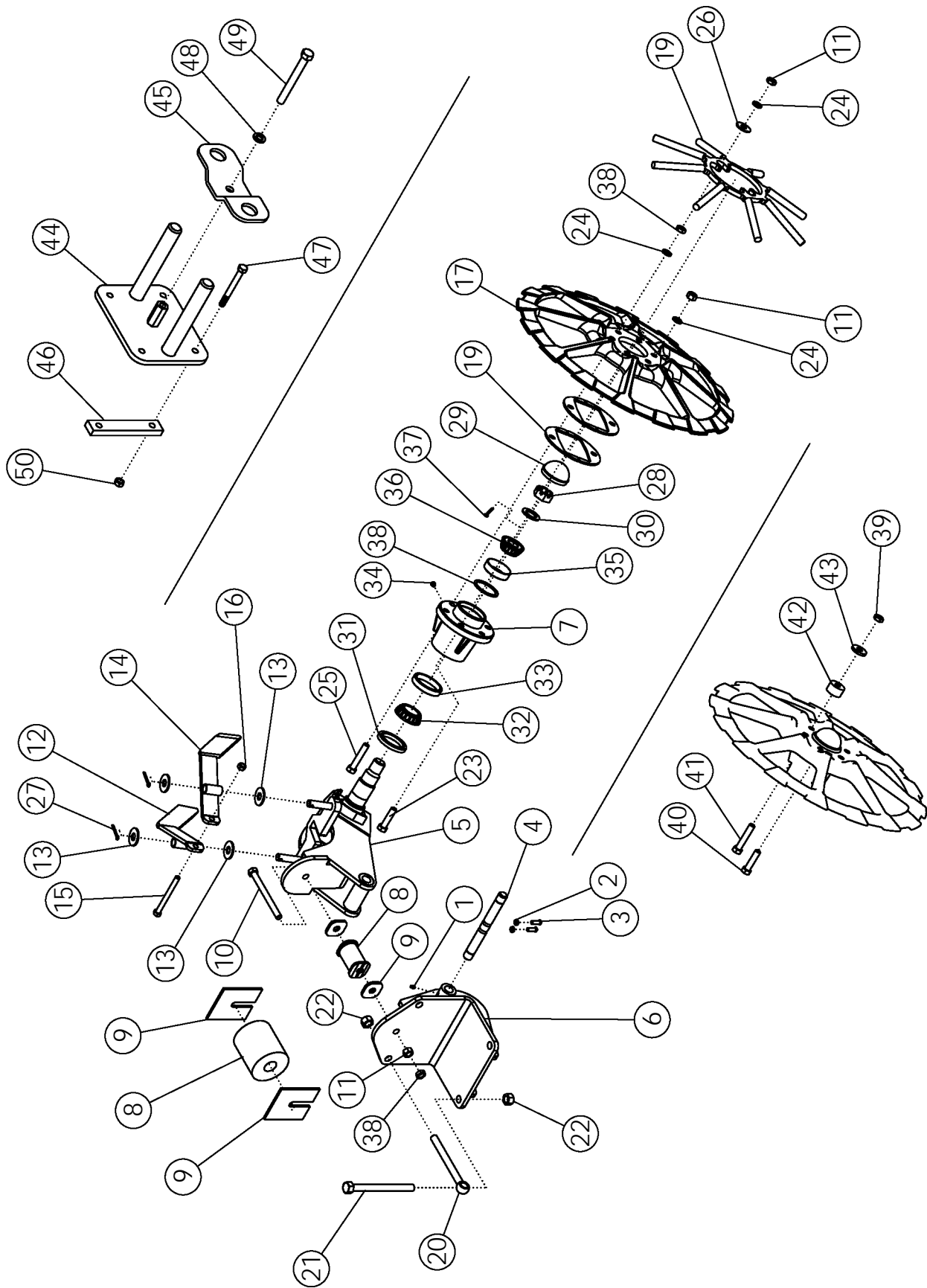


HYDRAULIC CYLINDER (3 X 8") #58890.....	99-100
HYDRAULIC CYLINDER (4 X 8") #58891.....	101-102
HYDRAULIC CYLINDER (4 X 10") #62082.....	103-104
FLOW CONTROL VALVE #58985.....	105-106
SELECTOR VALVE #58470.....	107-108
ROW FINDER VALVE #62350.....	109-110
SPROCKET #54824.....	111-112
BELT TIGHTENER #56422.....	111-112
SLIP CLUTCH (IN-LINE) #57926.....	113-114
SLIP CLUTCH/SPROCKET #57993.....	113-114
SLIP CLUTCH/SPROCKET #58335.....	113-114
IDLER PULLEY #56409.....	115-116
SPROCKET IDLER #56851.....	115-116
ROLLERS.....	117-118
BELTED CHAIN LAP JOINT CONNECTION.....	119
REPAIR KIT - BELTED CHAIN #59180.....	120
BELTED CHAIN RIVET CUTTER.....	121



# HITCH ASSEMBLY

ITEM	PART NO.	DESCRIPTION	QTY
1	50341	WLDMT - STD HITCH PIVOT	1
2	57928	WLDMT - DRAWPOLE	1
3	57930	WLDMT-HITCH PLATE	1
4	62101	WLDMT-PIN	1
5	1012059	BOLT-HEX: .75 X 3.00 NC GR5 ZP	6
6	1012061	WASHER-LOCK: .75 ZP	6
7	1011620	NUT-HEX: .75 NC	6
8	64476	PLATE-PULL HITCH	1
9	62477	BOLT-HITCH DRILLED	1
10	62088	NUT-SLOTTED: 1.13 NC GR5 ZP	1
11	1013473	PIN-COTTER: .19 X 2.00 NP	1
12	50678	PIN	1
13	1015117	BOLT-HEX: .63 X 4.00 NC GR8 ZP	1
14	1016595	NUT-TOPLOCK: .63 NC GR5 ZP	1
15	1030756	BOLT-HEX: 1.25 X 10.50 NC GR5 ZP	1
16	1030759	NUT-TOPLOCK: 1.25 NC ZP	1
17	1011748	ZERK - GREASE	5
18	1030757	BOLT-HEX: 1.38 X 4.25 NC GR5 ZP	2
19	1030760	WASHER-LOCK: 1.38 ZP	2
20	1030758	NUT-HEX: 1.38 NC ZP	2
21	64614	TUBE-SPACER 2.00 X 1.63	1
22	58925	HARDENED WASHER	1
	68645	WASHER-FLAT: 2.00 ZP GR8	
23	63995	TOP BRACKET RH	1
24	63996	TOP BRACKET LH	1
25	63383	POLY GUIDE BLOCK	1
26	63999	WLDMT - BOTTOM_BRACKET	1
27	1016211	BOLT-HEX: .25 X 2.00 NC GR5	4
28	1030946	NUT-TOPLOCK: .25 NC GR5 ZP	4
29	63359	SET COLLAR .56	1
30	63405	DECAL-DEPTH GAUGE	1
31	63406	PIN-CLEVIS: 1.00 X 4.00 ZP	2
32	52448	DECAL-CAUTION	1
33	1020416	WASHER-FLAT: .25 ZP	4
34	58090	CHAIN-SAFETY 20200# (NOT SHOWN)	1

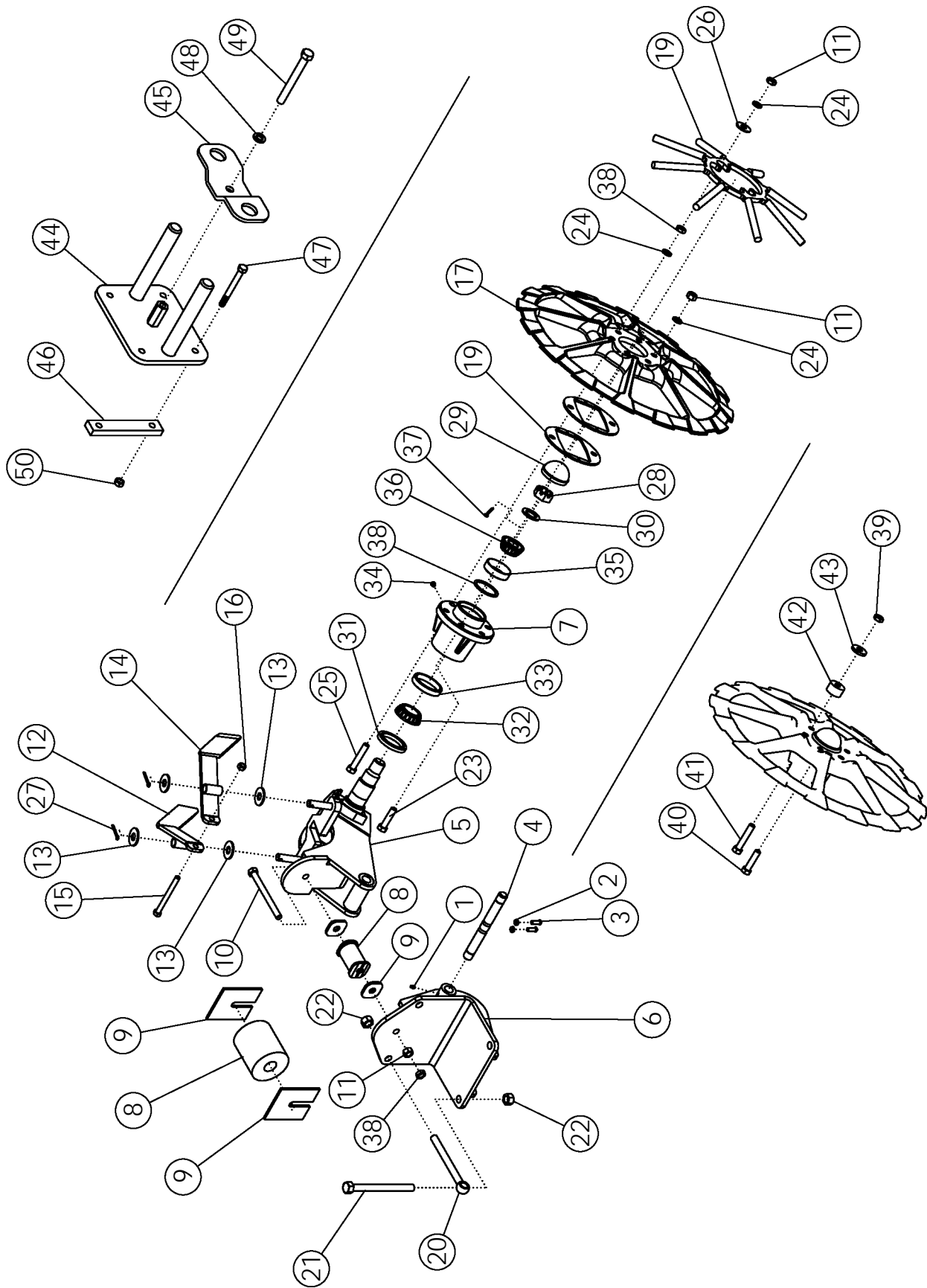




# LIFTER STRUT

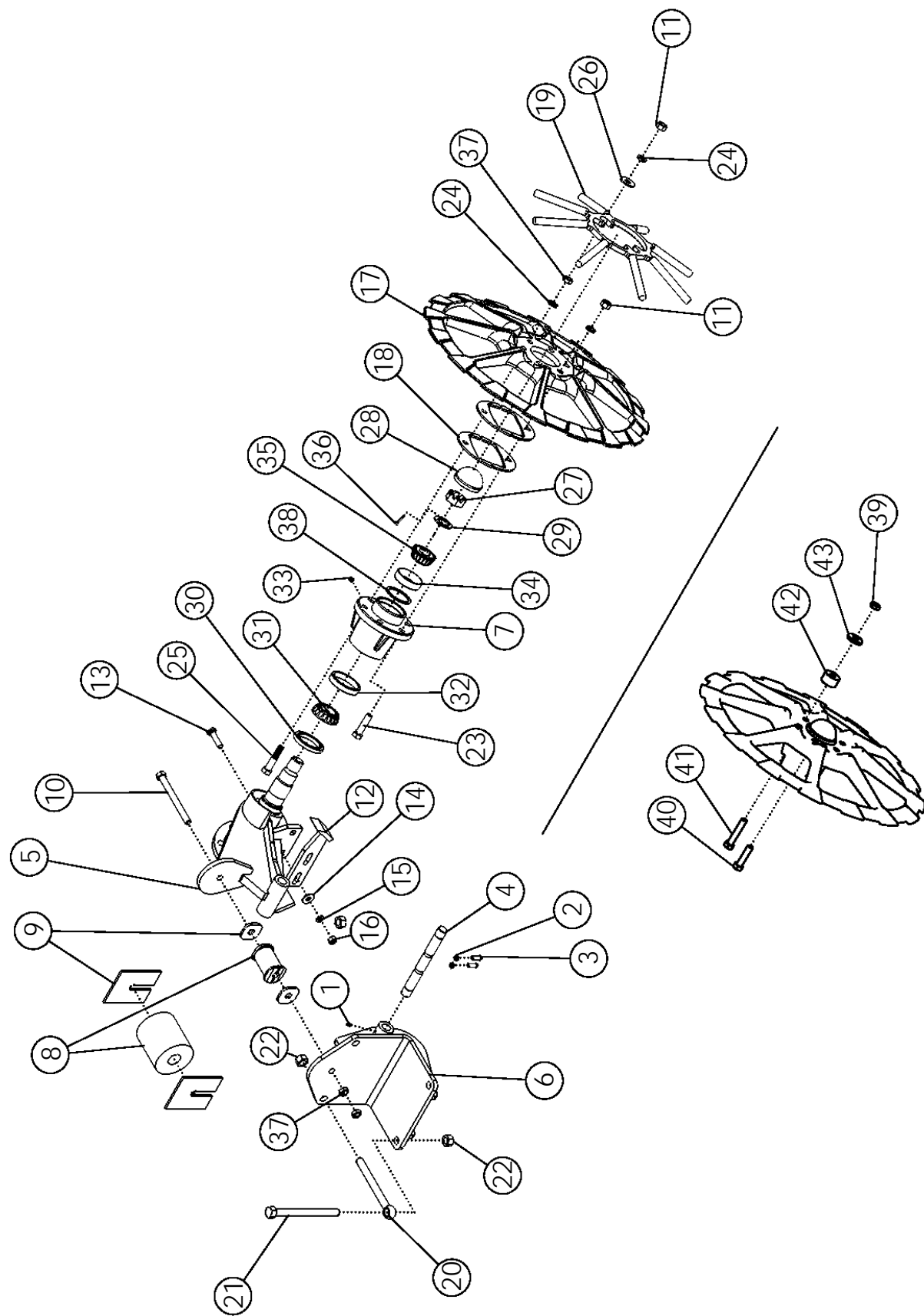
ITEM	PART NO.	DESCRIPTION	QTY
1	1011748	ZERK - GREASE: .25 UNF	2
2	1013519	NUT-JAM: .38 NC GR2 ZP	2
3	50813	SCREW-SET: SQ HD .38 X 1.00 ZP	2
4	50397	SHAFT-STRUT	1
5	50142	STRUT-SPINDLE ASSY-STD	1
6	50146	WLDMT-STRUT BRACKET	1
7	63655	HUB-MACHINED	2
8	50134	WLDMT-SPACER	1
	51542	BUMPER-RUBBER	1
9	50137	WASHER	2
	50139	PLATE ZP	2
10	1030761	BOLT-HEX: .63 X 7.00 NC GR 8 ZP	1
11	1011578	NUT-HEX: .63 NC GR5 ZP	13
12	50715	WLDMT-SCRAPER RH	1
13	1030702	WASHER-FLAT: .75 ZP	4
14	50716	WLDMT-SCRAPER LH	1
15	1016660	BOLT-HEX: .50 X 5.50 NC GR5 ZP	1
16	1027461	NUT-TOPLOCK: .50 NC GR5 ZP	1
17	53867	LIFTER WHEEL MACHINED	2
	53853	LIFTER WHEEL HARD	
18	50747	SPACER F.C.	AR
19	63880	WLDMT-WHEEL FILLER (OPTIONAL)	2
20	64135	BOLT-EYE: .75 X 8.00 ZP	2
21	64136	BOLT-HEX: .75 X 8.50 NC GR5 ZP	2
22	1017000	NUT-TOPLOCK: .75 NC GR5 ZP	4
23	1013023	BOLT-HEX: .63 X 2.50 NC GR5 ZP	8
24	1011813	WASHER-LOCK: .63 ZP	16
25	65825	BOLT-HEX: .63 X 3.25 NC GR5 ZP	4
26	1013024	WASHER-FLAT: .63 ZP	4
27	1013473	PIN-COTTER: .19 X 2.00 NP	2
28	1016367	NUT-SPINDLE: 1.38 NF NP	2
29	63624	HUB CAP ROUNDED	2
30	1030765	BUSHING-MACHINED: 1.38 NR 10 GA	2
31	53632	SEAL	2
32	53634	CONE-BEARING INNER	2
33	53636	CUP-BEARING INNER	2
34	1030766	ZERK - GREASE .13 NPT STRAIGHT	2
35	53635	CUP-BEARING OUTER	2
36	53633	CONE-BEARING OUTER	2
37	62014	PIN-COTTER: .25 X 3.00 NP	2

CONTINUED



# LIFTER STRUT (CONTINUED)

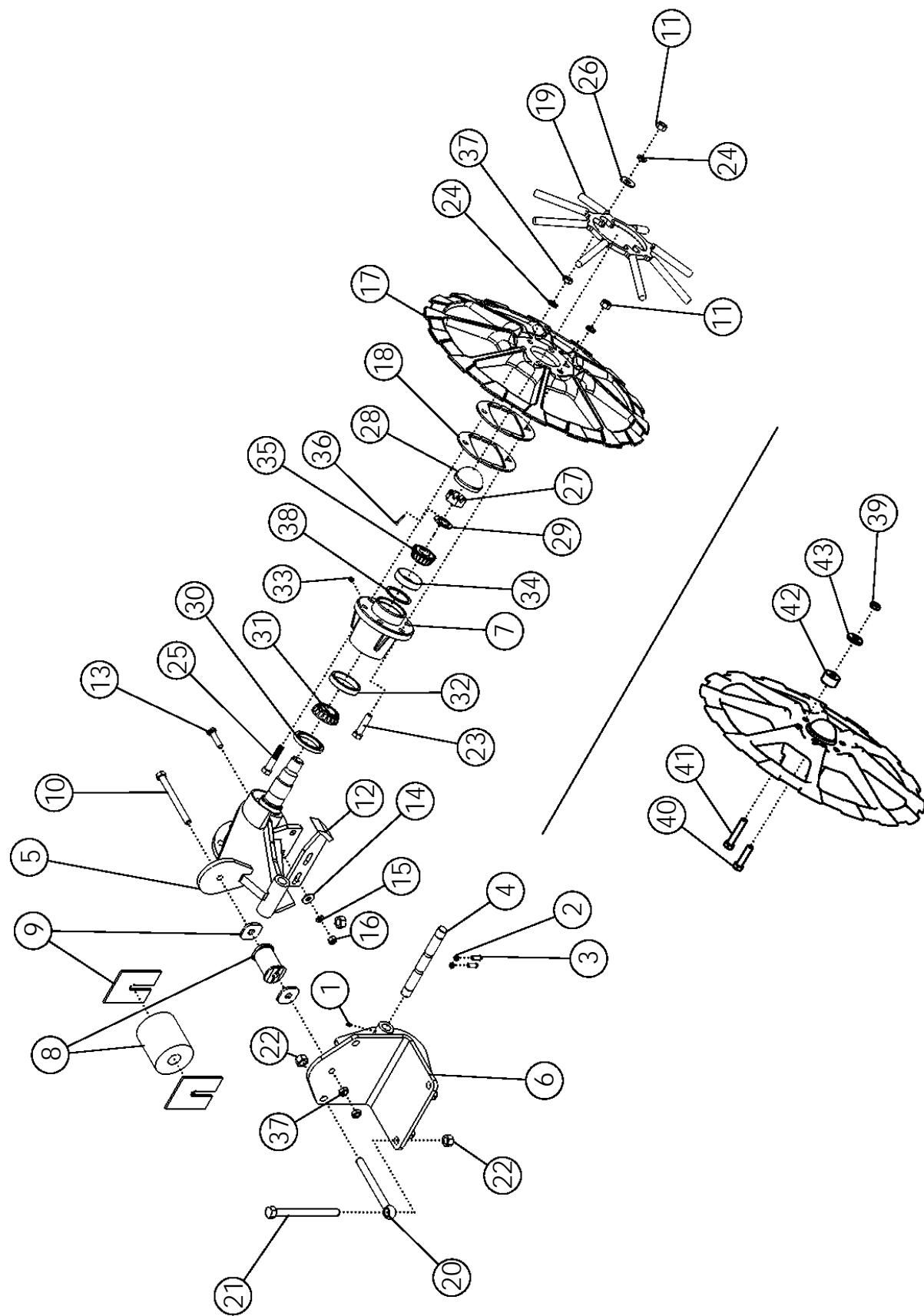
ITEM	PART NO.	DESCRIPTION	QTY	
38	64674	RACE-SPACER (.120)	AR	
<b>OPTIONAL URETHANE BUSHING</b>				
39	1016595	NUT-TOPLOCK: .63 GR5 ZP	12	
40	1032273	BOLT-HEX: .63 X 3.50 NC GR5 ZP	8	
41	1013935	BOLT-HEX: .63 X 4.50 NC GR5 ZP	4	
42	51705	BUSHING	12	
43	50822	WASHER-FLAT: .63 GR8 ZP	12	
<b>OPTIONAL WHEEL FILLER BRACKET</b>			6-8ROW	12 ROW
44	64658	WLDMT-WHEEL FILLER BRACKET	2	3
45	64659	PLATE-RETAINER	2	3
46	63372	BAR-BACKING	4	6
47	58176	BOLT-HEX: .38 X 3.50 NC GR5 ZP	8	12
48	1011581	WASHER-LOCK: .50 ZP	2	3
49	1013682	BOLT-HEX: .50 X 4.50 NC GR5 ZP	2	3
50	1016999	NUT-TOPLOCK: .38 NC GR5 ZP	8	12



# LIFTER STRUT - BOTTOM SCRAPER OPTION

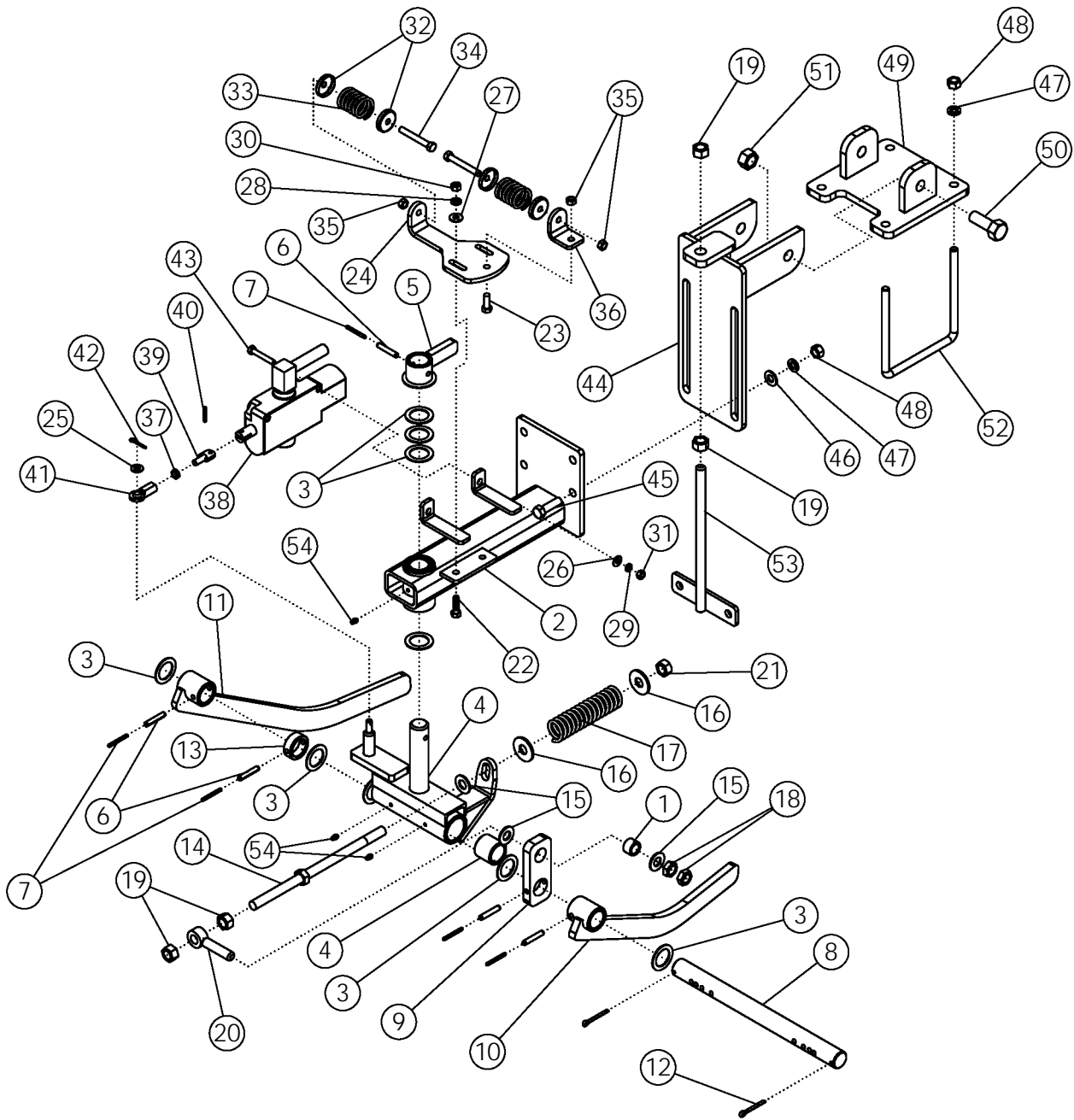
ITEM	PART NO.	DESCRIPTION	QTY
1	1011748	ZERK - GREASE: .25 UNF	2
2	1013519	NUT-JAM: .38 NC GR2 ZP	2
3	50813	SCREW-SET: SQ HD .38 X 1.00 ZP	2
4	64376	SHAFT-STRUT	1
5	68095	WLDMT-SP LIFTER STRUT STD	1
6	50146	WLDMT-STRUT BRACKET	1
7	63655	HUB-MACHINED	2
8	50134	WLDMT-SPACER	1
	51542	BUMPER-RUBBER	1
9	50137	WASHER	2
	50139	PLATE ZP	2
10	1030761	BOLT-HEX: .63 X 7.00 NC GR 8 ZP	1
11	1011578	NUT-HEX: .63 NC GR5 ZP	12
12	64369	WLDMT-SCRAPER	2
13	64685	BOLT-CRG: .50 X 2.25 NC GR5 ZP	2
14	1014443	WASHER-FLAT: .50 ZP	2
15	1011581	WASHER-LOCK: .50 ZP	2
16	1011577	NUT-HEX: .50 NC GR5 ZP	2
17	53867	LIFTER WHEEL MACHINED	2
	53853	LIFTER WHEEL HARD	
18	50747	SPACER	AR
19	63880	WLDMT-WHEEL FILLER (OPTIONAL)	2
20	64135	BOLT-EYE: .75 X 8.00 ZP	2
21	64136	BOLT-HEX: .75 X 8.50 NC GR5 ZP	2
22	1017000	NUT-TOPLOCK: .75 NC GR5 ZP	4
23	1013023	BOLT-HEX: .63 X 2.50 NC GR5 ZP	8
24	1011813	WASHER-LOCK: .63 ZP	16
25	65825	BOLT-HEX: .63 X 3.25 NC GR5 ZP	4
26	1013024	WASHER-FLAT: .63 ZP	4
27	1016367	NUT-SPINDLE: 1.38 NF NP	2
28	63624	HUB CAP ROUNDED	2
29	1030765	BUSHING-MACHINED: 1.38 NR 10 GA	2
30	53632	SEAL	2
31	53634	CONE-BEARING INNER	2
32	53636	CUP-BEARING INNER	2
33	1030766	ZERK - GREASE .13 NPT STRAIGHT	2
34	53635	CUP-BEARING OUTER	2
35	53633	CONE-BEARING OUTER	2
36	62014	PIN-COTTER: .25 X 3.00 NP	2
37	1026259	NUT-JAM: .63 NC ZP	5
38	64674	RACE-SPACER (.120)	AR

CONTINUED



# LIFTER STRUT - BOTTOM SCRAPER (CONTINUED)

ITEM	PART NO.	DESCRIPTION	QTY
<hr/>			
<b>OPTIONAL URETHANE BUSHING</b>			
<hr/>			
39	1016595	NUT-TOPLOCK: .63 GR5 ZP	12
40	1032273	BOLT-HEX: .63 X 3.50 NC GR5 ZP	8
41	1013935	BOLT-HEX: .63 X 4.50 NC GR5 ZP	4
42	51705	BUSHING	12
43	50822	WASHER-FLAT: .63 GR8 ZP	12

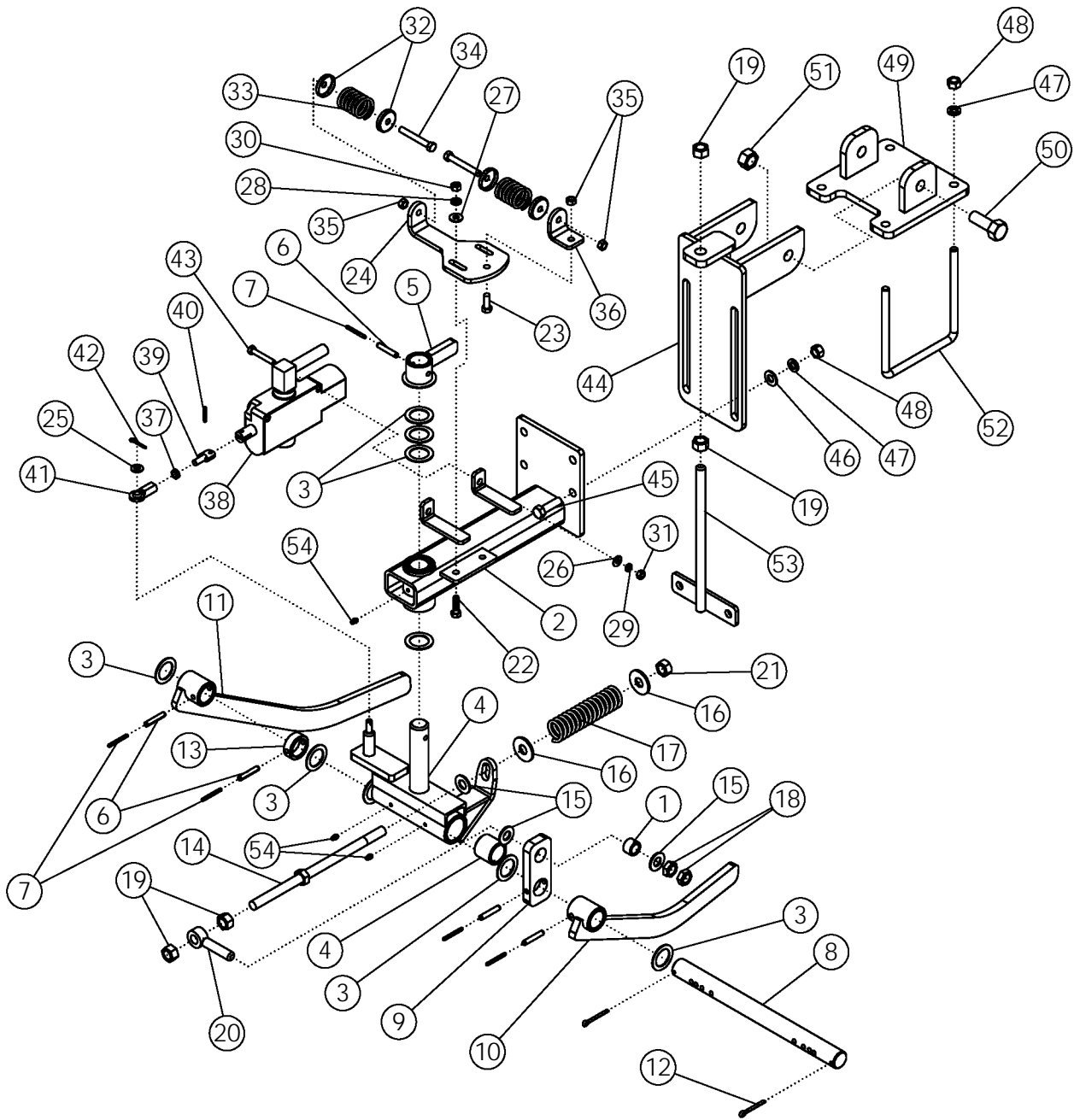




# HYDRAULIC ROW FINDER #51486

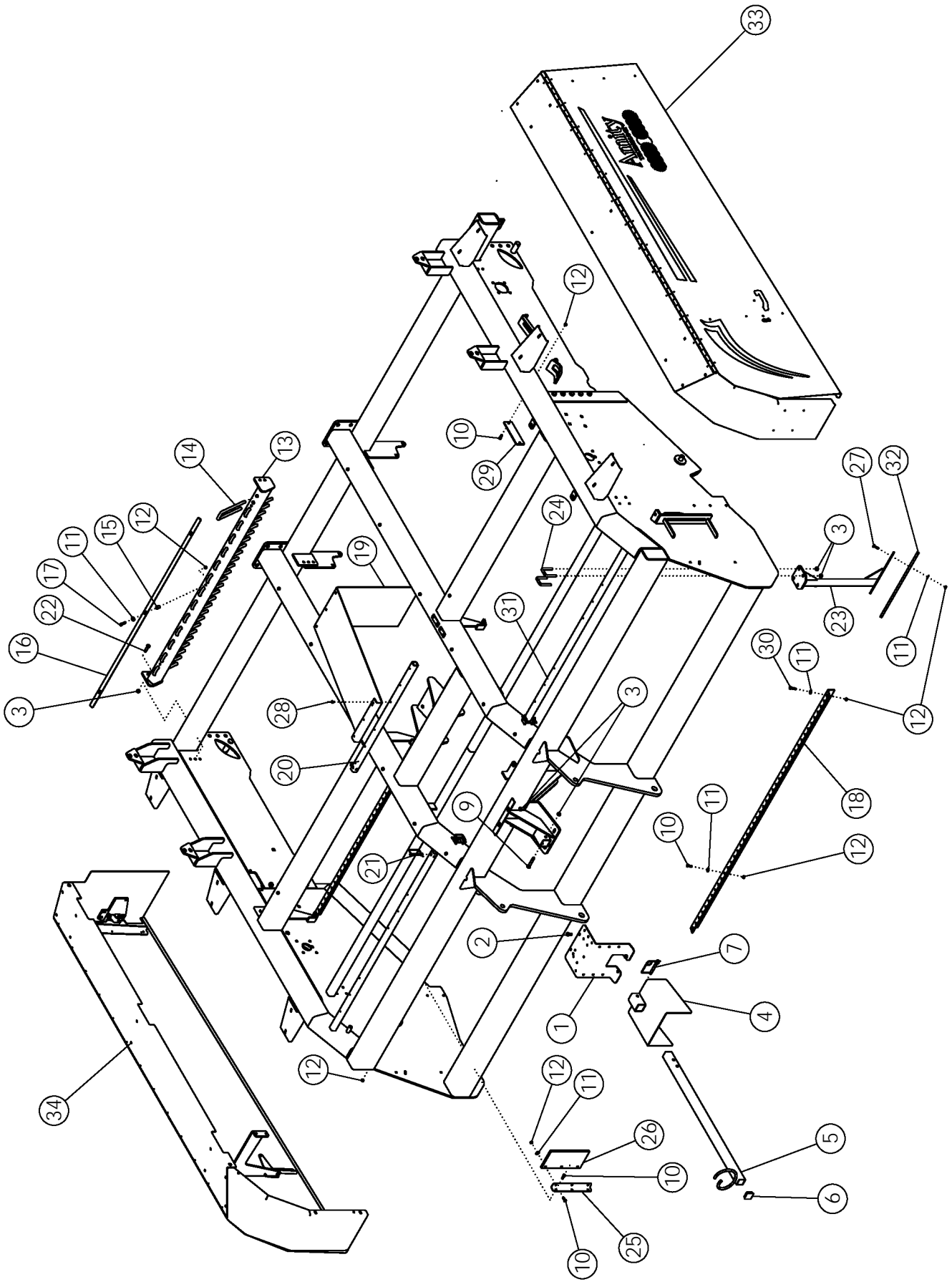
ITEM	PART NO.	DESCRIPTION	QTY
1	52567	BUSHING-ZP	1
2	62520	ASSY-MAIN FRAME	1
3	55206	BUSHING-MACH: 1.25 NR 14GA	9
4	51139	ASSY - SWIVEL	1
5	51130	WLDMT-FLIPPER	1
6	1030793	PIN-ROLL: .31 X 1.75 ZP	5
7	1030798	PIN-ROLL: .31 X 1.75 ZP	5
8	51690	SHAFT ZP	1
9	52566	TENSIONER ARM	1
10	51131	SENSOR ARM-L.H.	1
11	52564	SENSOR ARM-R.H.	1
12	1030797	PIN-COTTER: .19 X 1.75 NP	2
13	51137	COLLAR	1
14	52565	ADJUSTMENT BOLT	1
15	1013004	WASHER-FLAT: SAE .63 ZP	3
16	1013024	WASHER-FLAT: .63 ZP	2
17	51692	SPRING: .21 X 1.44 OD X 6.00 15 COILS	1
18	1026259	NUT-JAM: .63 NC GR2 ZP	2
19	1011578	NUT-HEX: .63 NC GR2 ZP	4
20	51691	EYEBOLT: .63 X 3.25 ZP	1
21	1016595	NUT-TOPLOCK: .63 NC GR5 ZP	1
22	1011601	BOLT-HEX: .38 X 1.25 NC GR5 ZP	2
23	1011600	BOLT-HEX: .38 X 1.00 NC GR5 ZP	1
24	51129	PLATE	1
25	1014608	WASHER-FLT: SAE .38 ZP	1
26	1020416	WASHER-FLAT: .25 ZP	2
27	1011583	WASHER-FLAT: .31 ZP	2
28	1011586	WASHER-LOCK: .38 ZP	2
29	1029115	WASHER-LOCK: .31 ZP	2
30	1011576	NUT-HEX: .38 NC GR2 ZP	2
31	1011575	NUT-HEX: .31 NC GR2 ZP	2
32	52582	SPRING CAP	4
33	51689	SPRING	2
34	1019828	BOLT-HEX: .38 X 2.75 NC GR5 ZP	2
35	1016999	NUT-TOPLOCK: .38 NC GR5 ZP	3
36	51128	SPRING PLATE	1
37	1030792	NUT-JAM: .38 NF GR2 ZP	1
38	62350	VALVE-ROWFINDER O/C	1
39	62540	PLATE STUD ZP	1
40	64157	PIN-ROLL: .19 X 1.125 ZP	1

CONTINUED



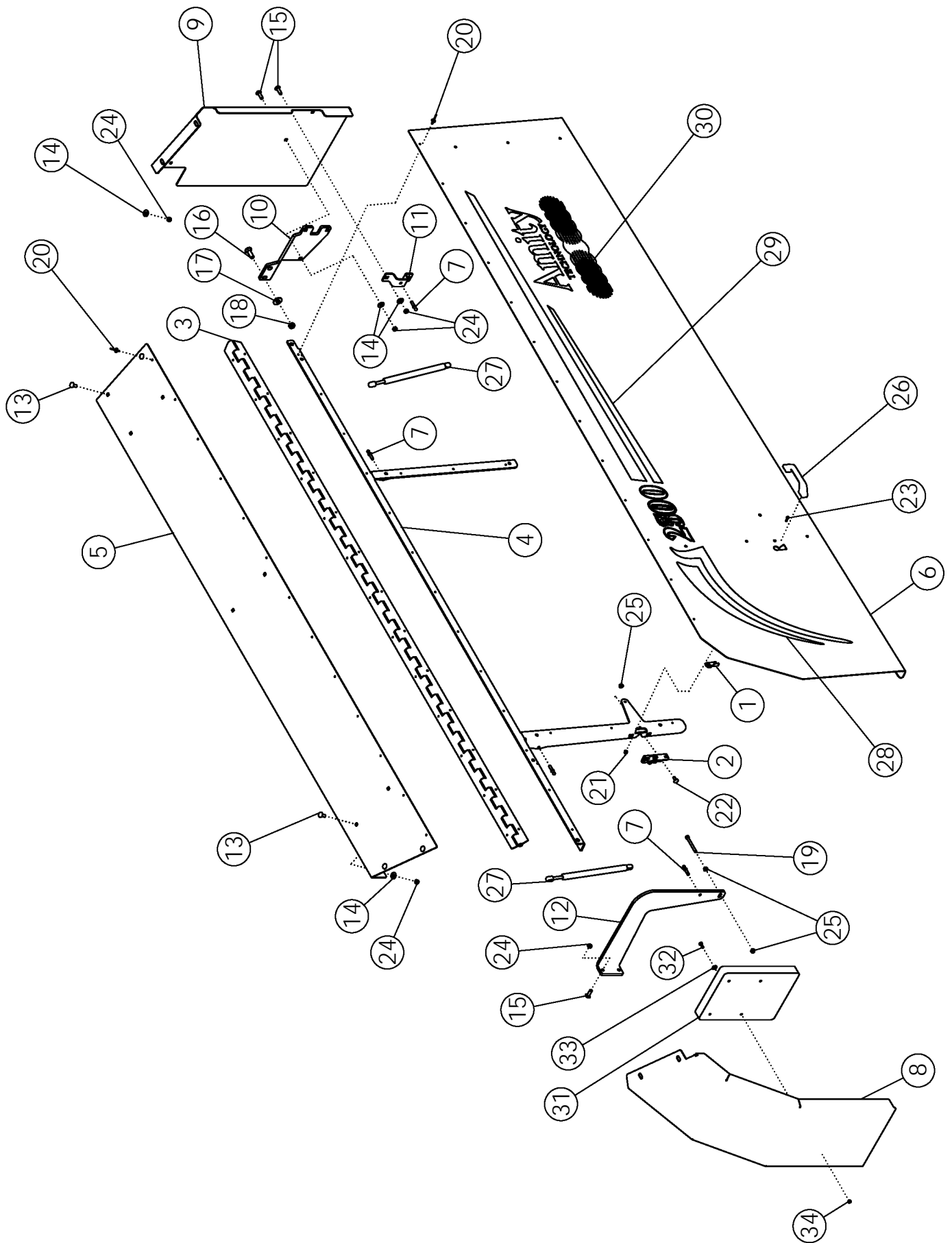
## HYDRAULIC ROW FINDER #51486 (CONTINUED)

ITEM	PART NO.	DESCRIPTION	QTY
41	51136	UNIBALL COUPLING	1
42	64570	PIN-COTTER: .13 X 1.00 ZP	1
43	1011285	BOLT-HEX: .31 X 2.00 NC	2
44	52181	MOUNTING BRACKET	1
45	1011608	BOLT-HEX: .50 X 1.75 NC GR5 ZP	4
46	1011584	WASHER-FLAT: SAE .50 ZP	4
47	1011581	WASHER-LOCK: .50 ZP	8
48	1011577	NUT-HEX: .50 NC GR2 ZP	8
49	62871	WLDMT-BRACKET	1
50	1012060	BOLT-HEX: .75 X 2.00 NC GR5 ZP	2
51	1013537	NUT-TOPLOCK: .75 NC GR5 ZP	2
52	53984	U-BOLT 1/2 X 7 X 6 X 7	2
53	62882	TIGHTENER BOLT-ZP	1
54	1011748	ZERK - GREASE	3



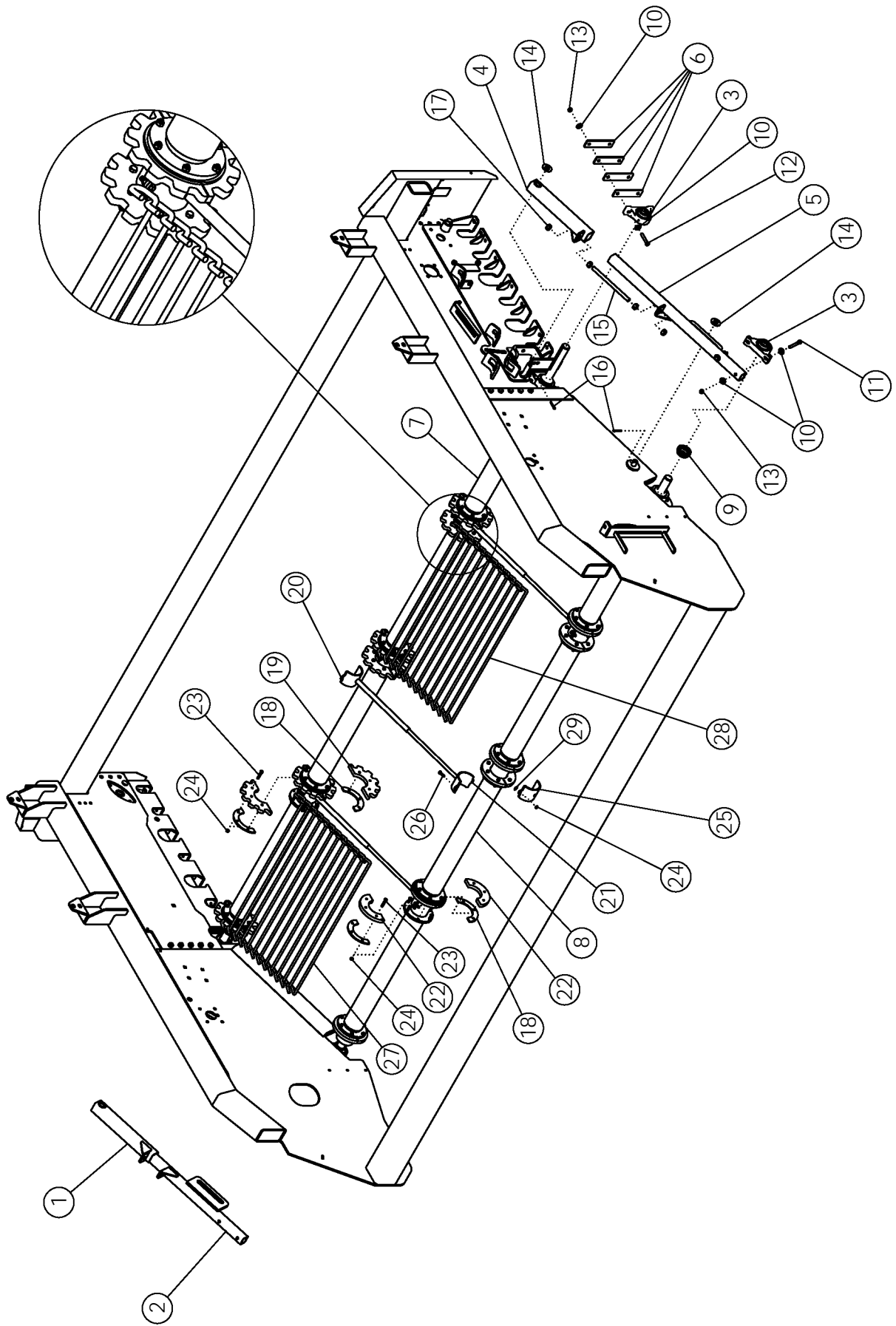
# GUARDS AND SHIELDS

ITEM	PART NO.	DESCRIPTION	QTY
1	62883	PLATE-HOSE MOUNT	1
2	1011096	BOLT-HEX: .50 X 1.00 NC GR5 ZP	4
3	1027461	NUT-TOPLOCK: .50 NC GR5 ZP	33
4	63354	WLDMT-PTO SHIELD	1
5	54800	WLDMT-HOSE SUPPORT	1
6	63869	CAPLUG-2" SQ	1
7	52408	SPRING PIN .50" X 3.50"	1
8	52901	PADDLE SHAFT GUARD	1
9	1011611	BOLT-HEX: .50 X 3.00 NC GR5 ZP	1
10	1011600	BOLT-HEX: .38 X 1.00 NC GR5 ZP	34
11	1011828	WASHER-FLAT: .38 ZP	52
12	1016999	NUT-TOPLOCK: .38 NC GR5 ZP	64
13	58182	WLDMT-MOUNT	2
14	69117	U-ROD ZP	28
15	58446	SPACER ZP	6
16	58448	STRAP	2
17	1011603	BOLT-HEX: .38 X 1.75 NC GR5 ZP	6
18	51225	MOUNT-TARP 8R	2
19	58961	APRON-RUBBER	6
20	57721	TUBE-INNER APRON 6R/8R	1
21	59101	SPRING PIN .38 X 3.00	3
22	1011608	BOLT-HEX: .50 X 1.75 NC GR5 ZP	8
23	62378	WLDMT - DEFLECTOR	5
24	65658	U-BOLT: .50 X 3 X 2.06 X 3	10
25	51331	ANGLE	2
26	51680	DEFLECTOR-RUBBER	2
27	1011601	BOLT-HEX: .38 X 1.25 NC GR5 ZP	20
28	1011974	RIVET-POP: .19 X .53 ZP	18
29	63501	PLATE-COVER	2
30	1011602	BOLT-HEX: .38 X 1.50 NC GR5 ZP	4
31	64508	TUBE-OUTER APRON MOUNT 6R30	2
32	51687	DEFLECTOR-RUBBER	5
33	69265	ASSY-LH DOOR 6R & 8R	1
34	69350	ASSY-RH DOOR 6R & 8R	1



# DOOR ASSEMBLY

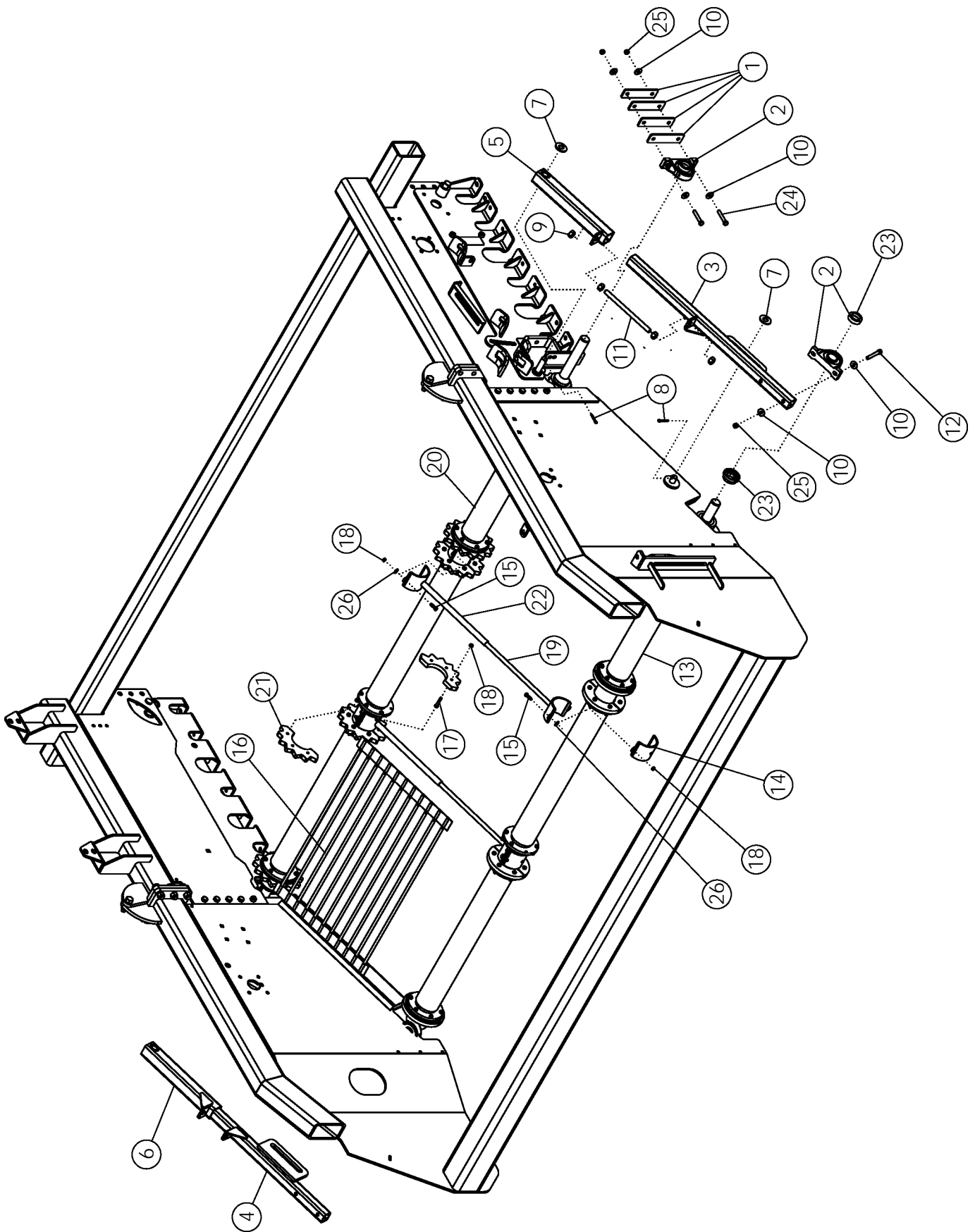
ITEM	PART NO.	DESCRIPTION	QTY
1	69284	LEVER-HRV LATCH ZP	1
2	69283	LATCH-DLP ROTARY SLAM	1
3	69286	HINGE-108 HEAVY CONTINUOUS	1
4	69266	WLDMT-DOOR FRAME LH	1
	69348	WLDMT-DOOR FRAME RH (NOT SHOWN)	1
5	69271	PANEL-SHIELD TOP LH PC	1
	69316	PANEL-SHIELD TOP RH PC (NOT SHOWN)	1
6	69270	SHEET-SHIELD DOOR LH PC	1
	69319	SHEET-SHIELD DOOR RH PC (NOT SHOWN)	1
7	69278	STUD-BALL .31-18NC X .75	4
8	69272	PANEL-SHIELD FRONT LH PC	1
	69317	PANEL-SHIELD FRONT RH PC (NOT SHOWN)	1
9	69273	PANEL-SHIELD REAR LH PC	1
	69318	PANEL-SHIELD REAR RH PC (NOT SHOWN)	1
10	69274	PLATE-SUPPORT REAR LH	1
	39344	PLATE-SUPPORT REAR RH (NOT SHOWN)	1
11	69275	BRACKET-SPRING REAR	1
12	69277	BRACKET-SPRING FRONT LH	1
	69320	BRACKET-SPRING FRONT RH (NOT SHOWN)	1
13	59488	BOLT-CRG: .38 X 1.00 NC GR5 ZP	10
14	1011828	WASHER-FLAT .38 ZP	17
15	1016362	BOLT-CRG: .38 X 1.25 NC GR5 ZP	7
16	1011660	BOLT-CRG: .50 X 1.50 NC GR5 ZP	2
17	1014443	WASHER-FLAT: .50 ZP	2
18	1027461	NUT-TOPLOCK: .50 NC GR5 ZP	2
19	1029448	BOLT-HEX .31 X 3.00 NC GR5 ZP	1
20	1011974	RIVET-POP: .19 X .531 ZP	32
21	67079	NUT-NYLOCK: 10-24 GR2 ZP	2
22	65702	BOLT-CRG: .31 X .75 NC GR5 ZP	2
23	67078	SCREW-P-H: 10-24 X .75 NC GR2 ZP	2
24	1016999	NUT-TOPLOCK: .38 NC GR5 ZP	17
25	67077	NUT-FLANGE SERR .31 NC ZP GR2	4
26	69285	HANDLE-MOLDED GRAB	1
27	69282	SPRING-700N GAS	2
28	69294	DECAL-LH CURVE	1
	69297	DECAL-RH CURVE	1
29	69295	DECAL-LH STRIPE	1
	69298	DECAL-RH STRIPE	1
30	69296	DECAL-LH AMITY LOGO	1
	69299	DECAL-RH AMITY LOGO	1
31	64635	CASE-MANUAL STORAGE	1
32	1011595	BOLT-HEX: .25 X .75 NC GR5 ZP	4
33	1020416	WASHER-FLAT: .25 ZP	4
34	1030946	NUT-TOPLOCK: .25 NC GR5 ZP	4





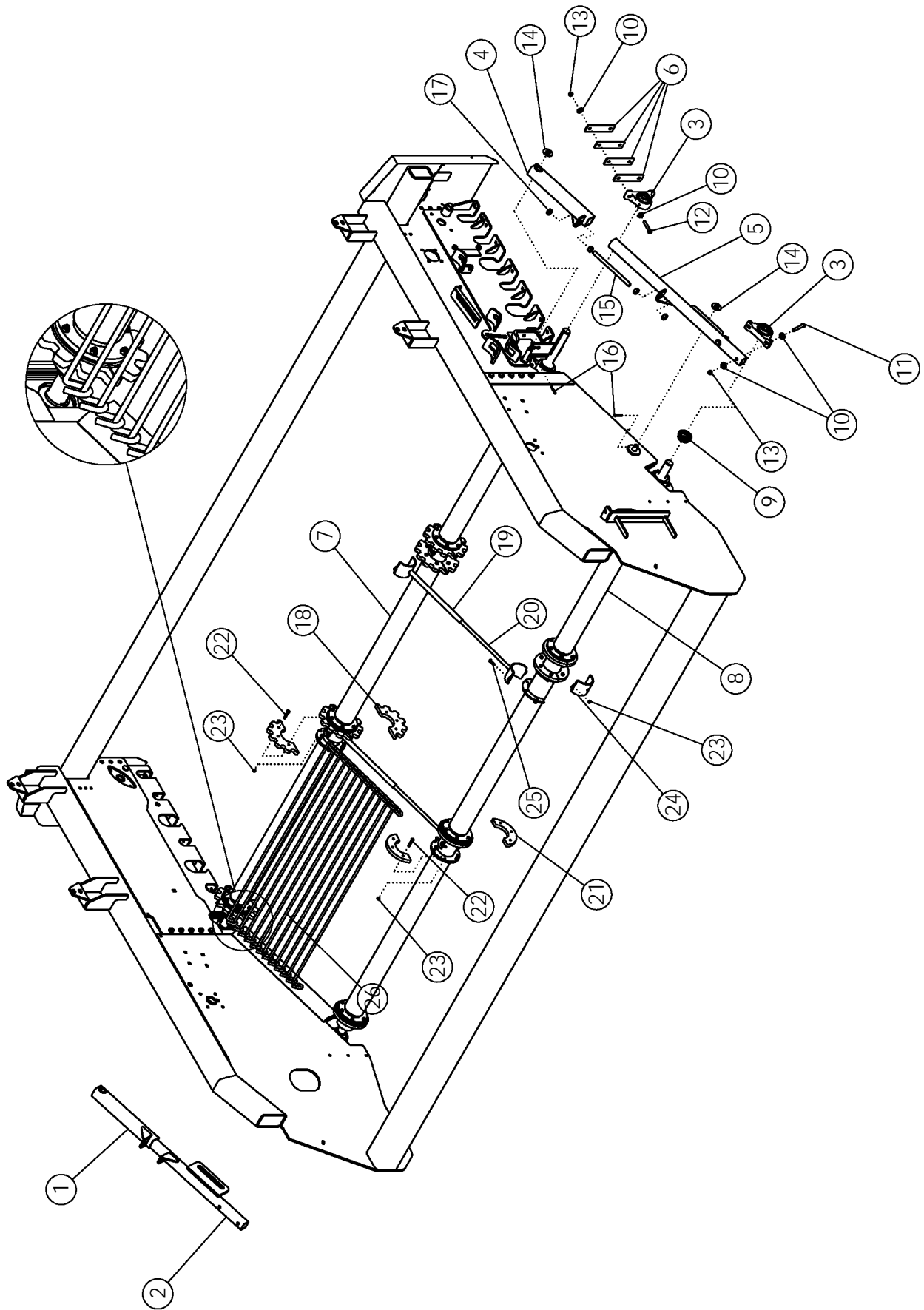
# APRON SHAFT - HOOK CHAIN

ITEM	PART NO.	DESCRIPTION	QTY
1	56693	WLDMT-ARM RH	1
2	56698	WLDMT-SLIDE RH	1
3	52405	BEARING-PILLOW 1.75	4
4	56692	WLDMT-ARML LH	1
5	56697	WLDMT-SLIDE LH	1
6	56672	SHIM-BEARING ZP	AR
7	62694	WLDMT-TOP APRON SHAFT	1
8	62695	WLDMT-BOTTOM APRON SHAFT	1
9	52382	SEAL PROTECTOR 1.75	2
10	1014443	WASHER-FLAT: .50 ZP	16
11	1029104	BOLT-HEX: .50 X 3.75 NC GR5 ZP	4
12	1011611	BOLT-HEX: .50 X 3.00 NC GR5 ZP	4
13	1027461	NUT-TOPLOCK: .50 NC GR5 ZP	8
14	1020685	WASHER-FLAT: 1.00	4
15	56718	ROD-THREADED ZP	2
16	1016944	PIN-COTTER: .25 X 2.00 ZP	4
17	1011620	NUT-HEX: .75 NC GR2 ZP	8
18	62836	HALF DISC-SPACER ZP (1/2" CHAIN ONLY)	32
19	58318	SPROCKET-HALF 2.38 ZP	16
	64154	SPROCKET-HALF 2.38 ZP (ROCK)	
20	64162	WLDMT-UPPER FILLER	3
21	64161	WLDMT-LOWER FILLER	3
22	58322	HALF-DISC ZP	16
23	1011725	BOLT-HEX: .38 X 2.00 NC GR5 ZP (1/2" CHAIN ONLY)	96
	1011603	BOLT-HEX: .38 X 1.75 NC GR5 ZP	
24	1016999	NUT-TOPLOCK: .38 NC GR5 ZP	108
25	64159	CLAMP-FILLER PAINTED	6
26	64991	BOLT-HEX: .38 X 1.25 NC GR8 ZP	12
27	59559	CHAIN 1/2 X 48 X 2.38	4
	64399	CHAIN 5/8 X 48 X 2.38	
28	62609	CHAIN 1/2 X 36 X 2.38	4
	64400	CHAIN 5/8 X 36 X 2.38	
29	1011828	WASHER-FLAT: .38 ZP	12



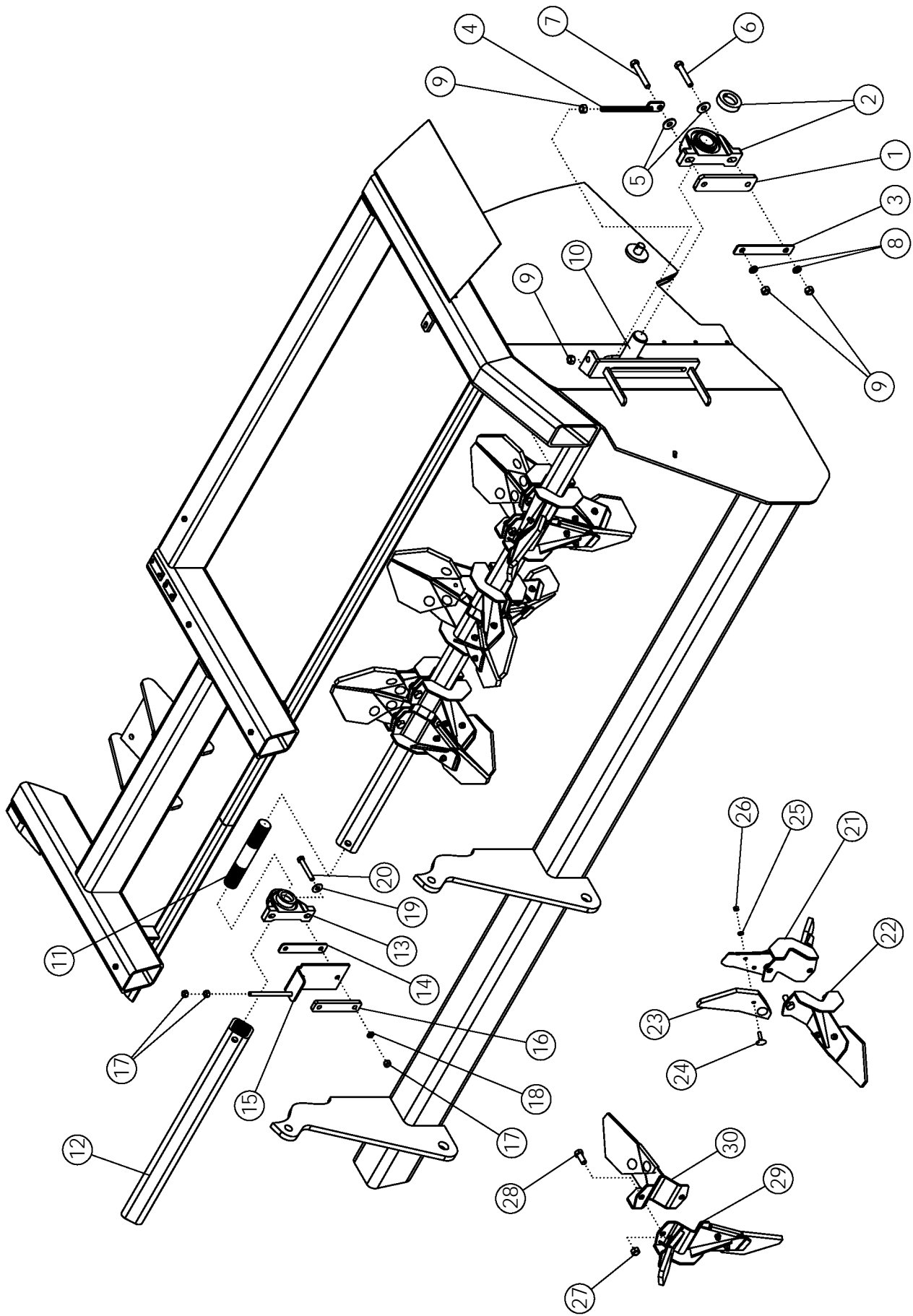
# APRON SHAFT - BELTED CHAIN

ITEM	PART NO.	DESCRIPTION	QTY
1	56672	SHIM-BEARING ZP	AR
2	52405	BEARING-PILLOW 1.75 (with lock collar)	4
3	56697	WLDMT-SLIDE LH	1
4	56698	WLDMT-SLIDE RH	1
5	56692	WLDMT-ARM LH	1
6	56693	WLDMT-ARM RH	1
7	1020685	WASHER-FLAT: 1.00 ZP	4
8	1016944	PIN-COTTER: .25 X 2.00 ZP	4
9	1011620	NUT-HEX: .75 NC GR2 ZP	8
10	1014443	WASHER-FLAT: .50 ZP	16
11	56718	ROD-THREADED ZP	2
12	1029104	BOLT-HEX: .50 X 3.75 NC GR5 ZP	4
13	64440	WLDMT- BOTTOM APRON SHAFT	1
14	64159	CLAMP-FILLER PAINTED	4
15	64991	BOLT-HEX: .38 X 1.25 NC GR8 ZP	8
16	64904	BELT 5/8 X 56.5 X 56MM 48 LPR	3
17	1011603	BOLT-HEX: .38 X 1.75 NC	72
18	1016999	NUT-TOPLOCK: .38 NC GR5 ZP	80
19	64161	WLDMT-LOWER FILLER	2
20	64439	WLDMT-TOP APRON SHAFT	1
21	63361	SPROCKET-SPLIT COUNTERBORE (PAIR)	12
22	64162	WLDMT-UPPER FILLER	2
23	52382	SEAL PROTECTOR 1-3/4"	2
24	1011611	BOLT-HEX: .50 X 3.00 NC GR5 ZP	4
25	1027461	NUT-TOPLOCK: .50 NC GR5 ZP	8
26	1011828	WASHER-FLAT: .38 ZP	8



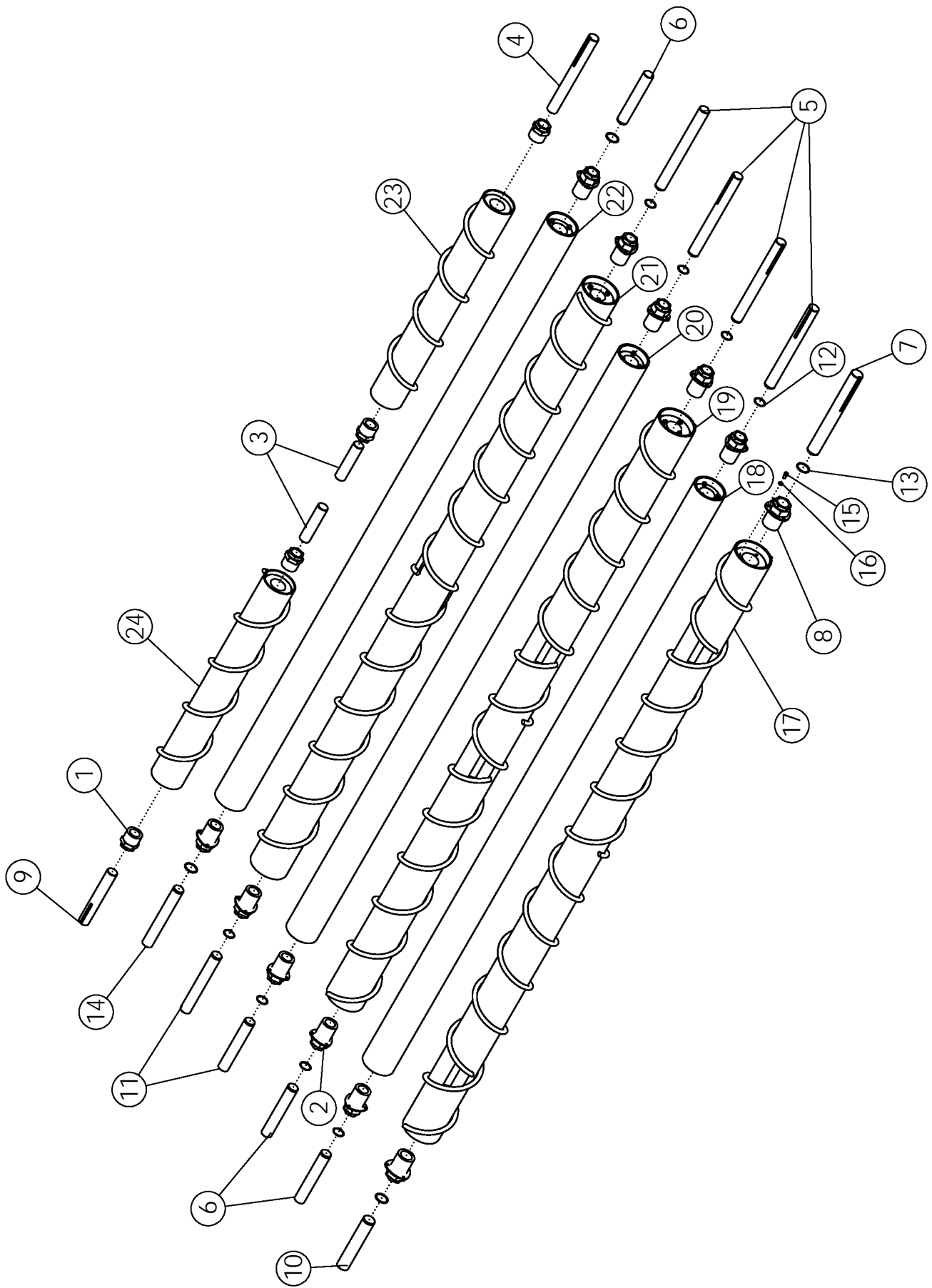
## APRON SHAFT - HOOK CHAIN 56.5"

ITEM	PART NO.	DESCRIPTION	QTY
1	56693	WLDMT-ARM RH	1
2	56698	WLDMT-SLIDE RH	1
3	52405	BEARING-PILLOW 1.75	4
4	56692	WLDMT-ARM LH	1
5	56697	WLDMT-SLIDE LH	1
6	56672	SHIM-BEARING ZP	AR
7	64439	WLDMT-TOP APRON SHAFT	1
8	64440	WLDMT-BOTTOM APRON SHAFT	1
9	52382	SEAL PROTECTOR 1.75	2
10	1014443	WASHER-FLAT: .50 ZP	16
11	1029104	BOLT-HEX: .50 X 3.75 NC GR5 ZP	4
12	1011611	BOLT-HEX: .50 X 3.00 NC GR5 ZP	4
13	1027461	NUT-TOPLOCK: .50 NC GR5 ZP	8
14	1020685	WASHER-FLAT: 1.00	4
15	56718	ROD-THREADED ZP	2
16	1016944	PIN-COTTER: .25 X 2.00 ZP	4
17	1011620	NUT-HEX: .75 NC GR2 ZP	8
18	64154	SPROCKET-HALF 2.38 ZP (ROCK)	12
19	64162	WLDMT-UPPER FILLER	2
20	64161	WLDMT-LOWER FILLER	2
21	58322	HALF-DISC ZP	12
22	1011603	BOLT-HEX: .38 X 1.75 NC GR5 ZP	72
23	1016999	NUT-TOPLOCK .38 NC GR5 ZP	80
24	64159	CLAMP-FILLER PAINTED	4
25	64991	BOLT-HEX: .38 X 1.25 NC GR8 ZP	8
26	64438	CHAIN 5/8 X 56.5 X 2.38	6
27	1011828	WASHER-FLAT: .38 ZP	8



# PADDLE SHAFT

ITEM	PART NO.	DESCRIPTION	QTY
1	57996	SHIM-BEARING	2
2	57997	BEARING-PILLOW 2"	2
3	57998	PLATE-BACKING	2
4	51365	TIGHTENER BOLT	2
5	1013024	WASHER-FLAT: .63 ZP	4
6	1014000	BOLT-HEX: .63 X 3.50 NC GR5 ZP	2
7	1016726	BOLT-HEX: .63 X 4.00 NC GR5 ZP	2
8	1011813	WASHER-LOCK: .63 ZP	4
9	1011578	NUT-HEX: .63 NC GR2 ZP	8
10	58027	WLDMT-PADDLE SHAFT LH	1
11	57196	SHAFT-STUB #7	1
12	58028	WLDMT-PADDLE SHAFT RH	1
13	52405	BEARING-PILLOW 1-3/4"	1
14	50564	PLATE	1
15	56737	WLDMT-ROD ZP	1
16	50305	SPACER-BEARING	1
17	1011577	NUT-HEX: .50 NC GR2 ZP	4
18	1011581	WASHER-LOCK: .50 ZP	2
19	1014443	WASHER-FLAT: .50 ZP	2
20	1011612	BOLT-HEX: .50 X 3.50 GR5 ZP	2
21	50719	WLDMT - PADDLE DOUBLE LH	6
22	50720	WLDMT - PADDLE SINGLE LH	6
23	51562	PADDLE-RUBBER	36
24	1030779	BOLT-ELEVATOR:.38 X 1.50 NC ZP	72
25	1011586	WASHER-LOCK: .38 ZP	72
26	1011576	NUT-HEX: .38 NC GR2 ZP	72
27	1016595	NUT-TOPLOCK: .63 NC GR5 ZP	24
28	1014349	BOLT-HEX: .63 X 1.50 NC GR5 ZP	24
29	50722	WLDMT - PADDLE DOUBLE RH	6
30	50721	WLDMT - PADDLE SINGLE RH	6

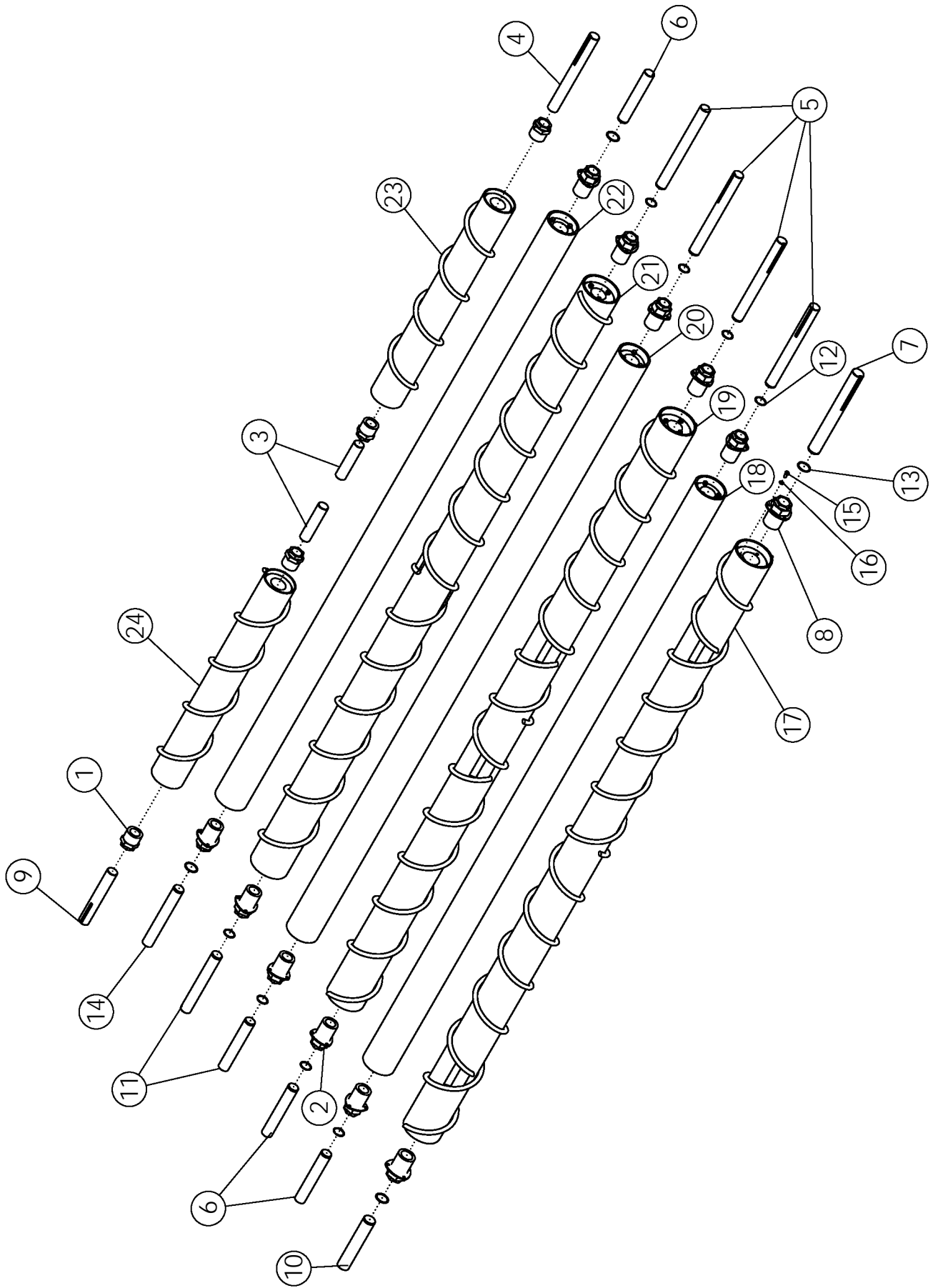




# CLEANING ROLLS

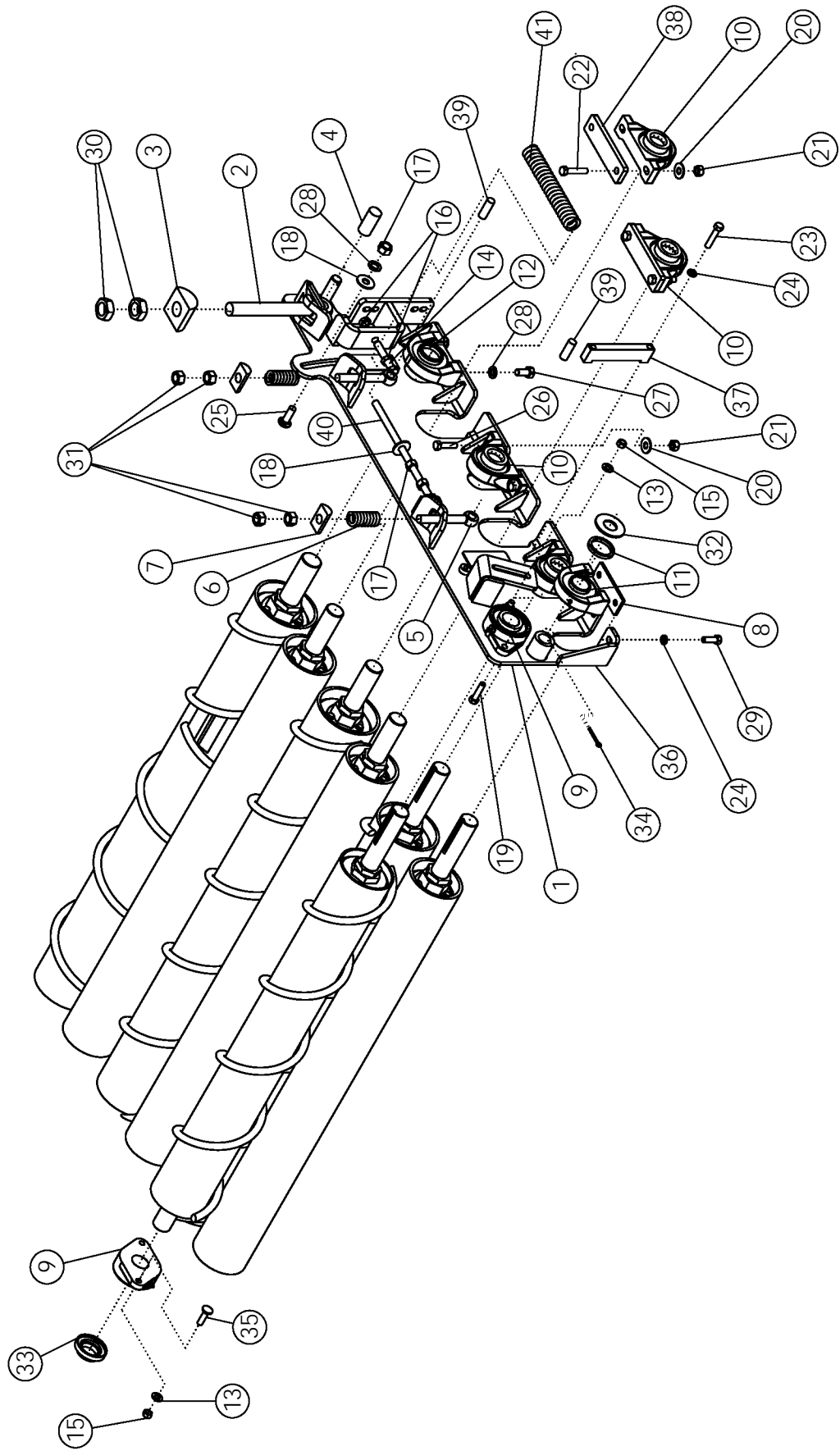
ITEM	PART NO.	DESCRIPTION	QTY
<b><u>PARTS COMMON TO ALL ROLLS</u></b>			
1	58459	HUB-TRANTORQUE 1.75	4
2	64163	HUB-TRANTORQUE 1.75 X 3.38	10
3	59471	SHAFT-STUB-#7 ROLL-RH, LH-IDLER	2
4	58759	SHAFT-#7 LH ROLL-DRIVE END	1
5	64177	SHAFT-DRIVE #2,3,4,5	4
6	64179	SHAFT-IDLER #2,3,4,6	3
7	64181	SHAFT-#1 DRIVE END	1
8	64165	HUB-TRANTORQUE 2.00 X 3.38	2
9	58761	SHAFT-#7 RH ROLL-DRIVE END	1
10	64182	SHAFT-#1 IDLER END	1
11	64180	SHAFT-REVERSE #4 RH	2
12	64184	RING-RETAINING 1.75	10
13	64185	RING-RETAINING 2.00	2
14	64178	SHAFT-#5,6	1
15	1011599	BOLT-HEX: .38 X .75 NC GR5 ZP	36
16	1011586	WASHER-LOCK: .38 ZP	36
<b><u>NUMBER ONE ROLL (COMPLETE)</u></b>			
17	58999	ROLL-SPIRAL-STANDARD	1
	59011	ROLL-SPIRAL-POLY COATED	
	58966	ROLL-SPIRAL-HARDENED	
<b><u>NUMBER TWO ROLL (COMPLETE)</u></b>			
18	58969	ROLL-5.5" SMOOTH-STANDARD	1
	59016	ROLL-5" SMOOTH-POLY COATED	
<b><u>NUMBER THREE ROLL (COMPLETE)</u></b>			
19	59000	ROLL-SPIRAL-STANDARD	1
	59013	ROLL-SPIRAL-POLY COATED	
	58977	ROLL-SPIRAL-HARDENED	

CONTINUED



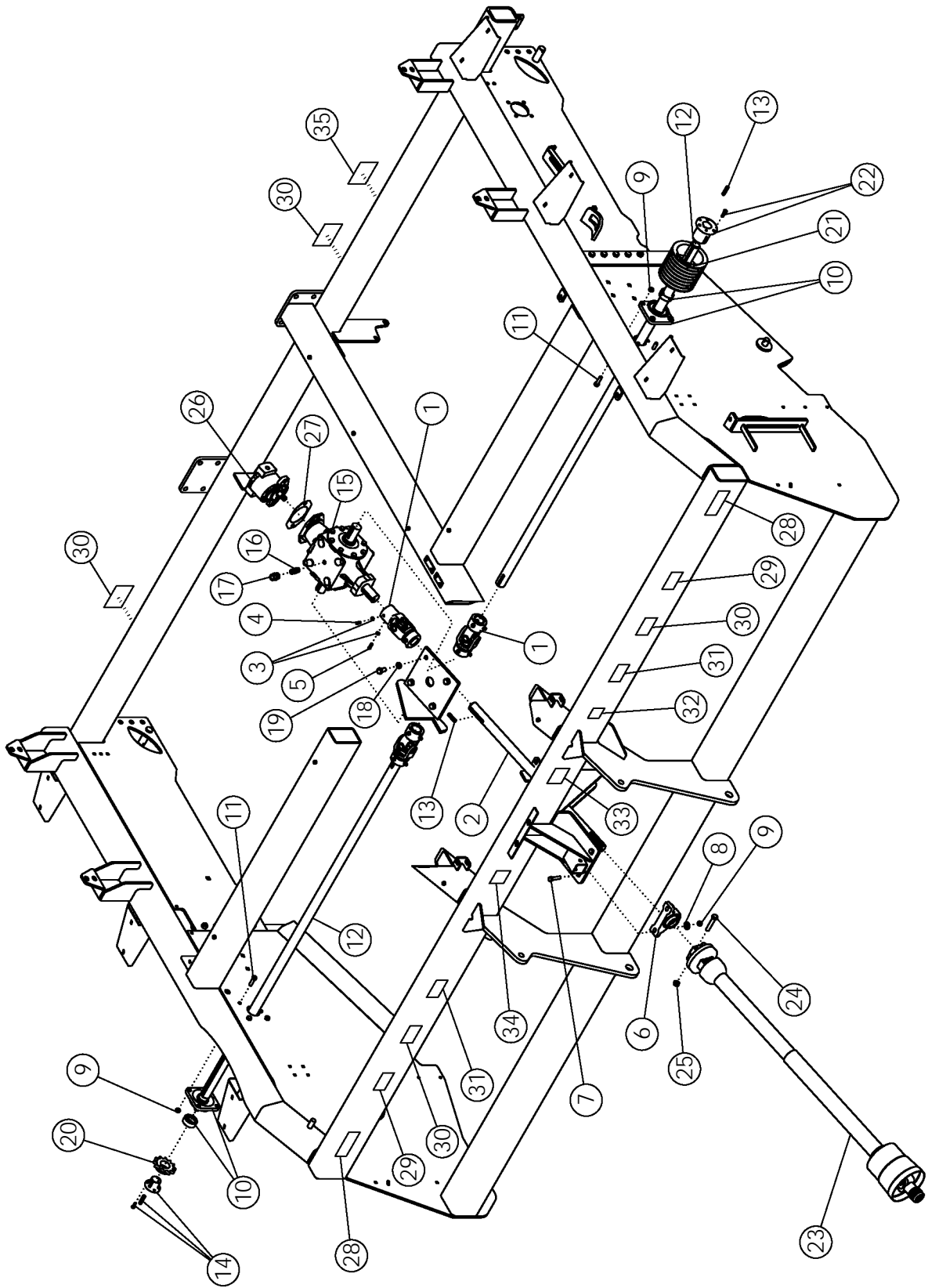
## CLEANING ROLLS (CONTINUED)

ITEM	PART NO.	DESCRIPTION	QTY
<b><u>NUMBER FOUR ROLL (COMPLETE)</u></b>			
20	62764 62765	ROLL-5.5" SMOOTH-STANDARD ROLL-5" SMOOTH-POLY COATED	1
<b><u>NUMBER FIVE ROLL (COMPLETE)</u></b>			
21	59001 59015 58992	ROLL-SPIRAL-STANDARD ROLL-SPIRAL-POLY COATED ROLL-SPIRAL-HARDENED	1
<b><u>NUMBER SIX ROLL (COMPLETE)</u></b>			
22	58989 59017	ROLL-5.5" SMOOTH-STANDARD ROLL-SPIRAL-POLY COATED	1
<b><u>NUMBER SEVEN ROLL - - LEFT HAND (COMPLETE)</u></b>			
23	62193 59535	ROLL-SPIRAL-POLY ROLL-SPIRAL	1
<b><u>NUMBER SEVEN ROLL - - RIGHT HAND (COMPLETE)</u></b>			
24	62195 59536	ROLL-SPIRAL-POLY ROLL-SPIRAL	1



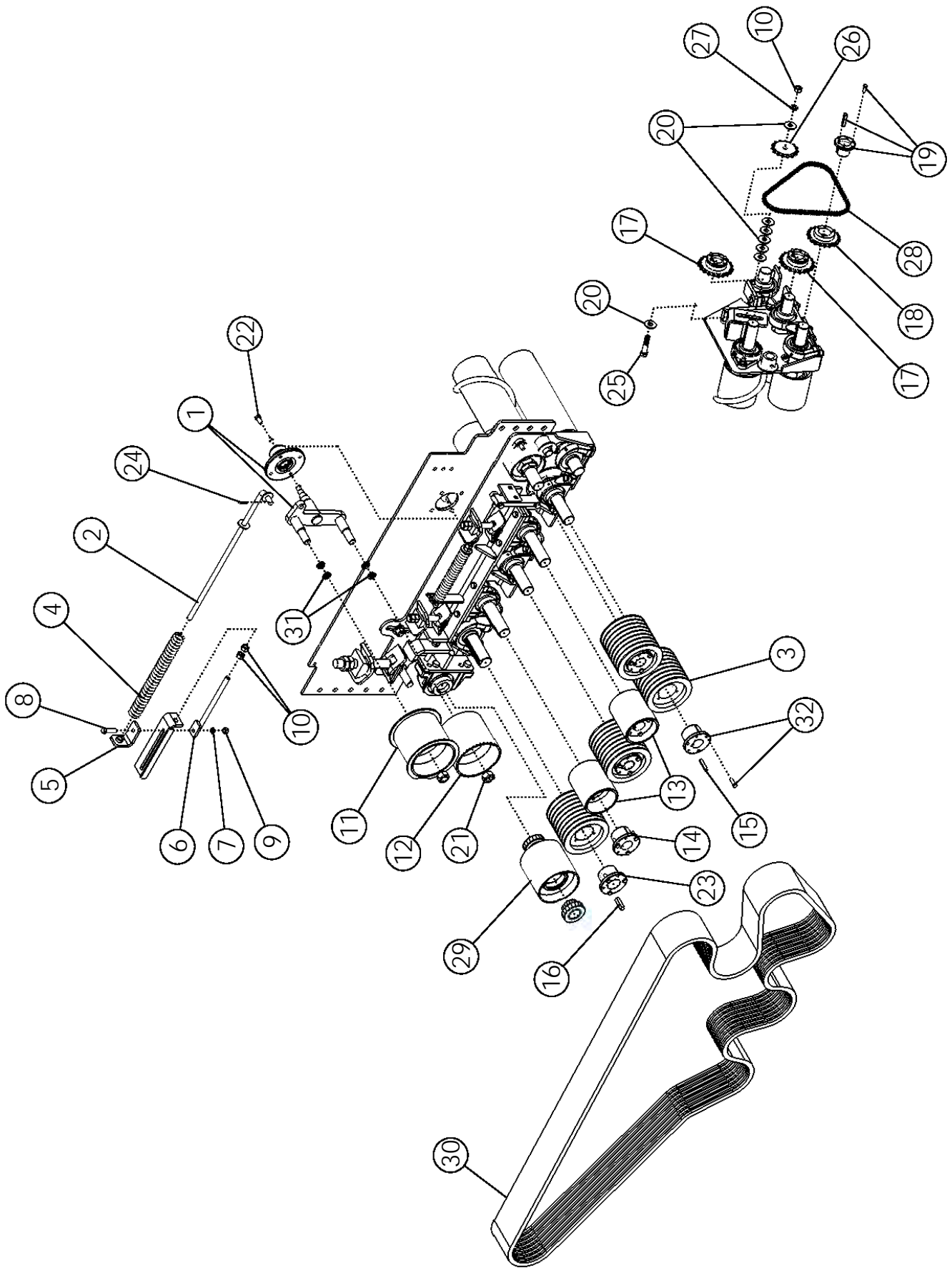
# CLEANING ROLL MOUNTING PACKAGE

ITEM	PART NO.	DESCRIPTION	QTY
1	58907	WLDMT-MOUNT RH	1
	58906	WLDMT-MOUNT LH (NOT SHOWN)	1
2	56813	BOLT-EYEBOLT: 1.25 X 10.5 ZP	2
3	56679	HALF ROUND 3.0" ZP	2
4	56676	ROD ZP	2
5	56814	BOLT-EYEBOLT: .75 X 6.00 ZP	4
6	57877	SPRING 3.00" (RIGHT SIDE ONLY)	2
7	56680	HALF ROUND 1.50" ZP	4
8	57992	SHIM-BEARING	2
9	62134	BEARING-FLANGE 1-3/4"	4
10	52405	BEARING-PILLOW 1-3/4"	8
	64466	PILLOW BLOCK BEARING 1-3/4" STL (ROCK ONLY)	
11	62135	BEARING 1.750 TAPPED BASE	2
12	62136	BEARING 2.000 TAPPED BASE	2
13	1011584	WASHER-FLAT: SAE .50 ZP	4
14	1032273	BOLT-TAP: .63 X 3.50 NC GR5 ZP	2
15	1027461	NUT-TOPLOCK: .50 NC GR5 ZP	8
16	1026259	NUT-JAM: .63 NC GR2 ZP	4
17	1011578	NUT-HEX: .63 NC GR2 ZP	8
18	1013024	WASHER-FLAT: .63 ZP	4
19	1011609	BOLT-HEX: .50 X 2.00 NC GR5 ZP	4
20	59104	WASHER-FLAT: .56 GR8 ZP	16
21	59105	NUT-TOPLOCK: .56 NC GR8 ZP	16
22	59103	BOLT-HEX: .56 X 2.50 NC GR8 ZP	8
23	1011610	BOLT-HEX: .50 X 2.50 NC GR5 ZP	4
24	1011581	WASHER-LOCK: .50 ZP	8
25	58635	BOLT-CRG: .63 X 2.00 NC GR5 ZP	2
26	59102	BOLT-HEX: .56 X 2.00 NC GR8 ZP	8
27	1032509	BOLT-HEX: .63 X 1.25 NC GR5 ZP	4
28	1011813	WASHER-LOCK: .63 ZP	6
29	1011607	BOLT-HEX: .50 X 1.50 NC GR5 ZP	4
30	62511	NUT-JAM: 1.25 NC GR2 ZP	4
31	1011620	NUT-HEX: .75 NC GR2 ZP	8
32	1013431	WASHER-FLAT: 1.25 ZP	2
33	52383	LOCK PROTECTOR 1-3/4"	2
34	1016727	PIN-COTTER: .25 X 2.50 NP	2
35	59517	BOLT-CRG: .50 X 1.75 NC GR5 ZP	4
36	56682	WLDMT-SLIDE MOUNT RH	1
	56681	WLDMT-SLIDE MOUNT LH (NOT SHOWN)	1
37	56677	WLDMT-HOLDER	2
38	57792	SHIM-BEARING	4
39	56675	ROD ZP	4
40	56815	WLDMT-BOLT & NUT ZP	2
41	57878	SPRING 10"	2



## MAIN DRIVE: ONBOARD OPTION

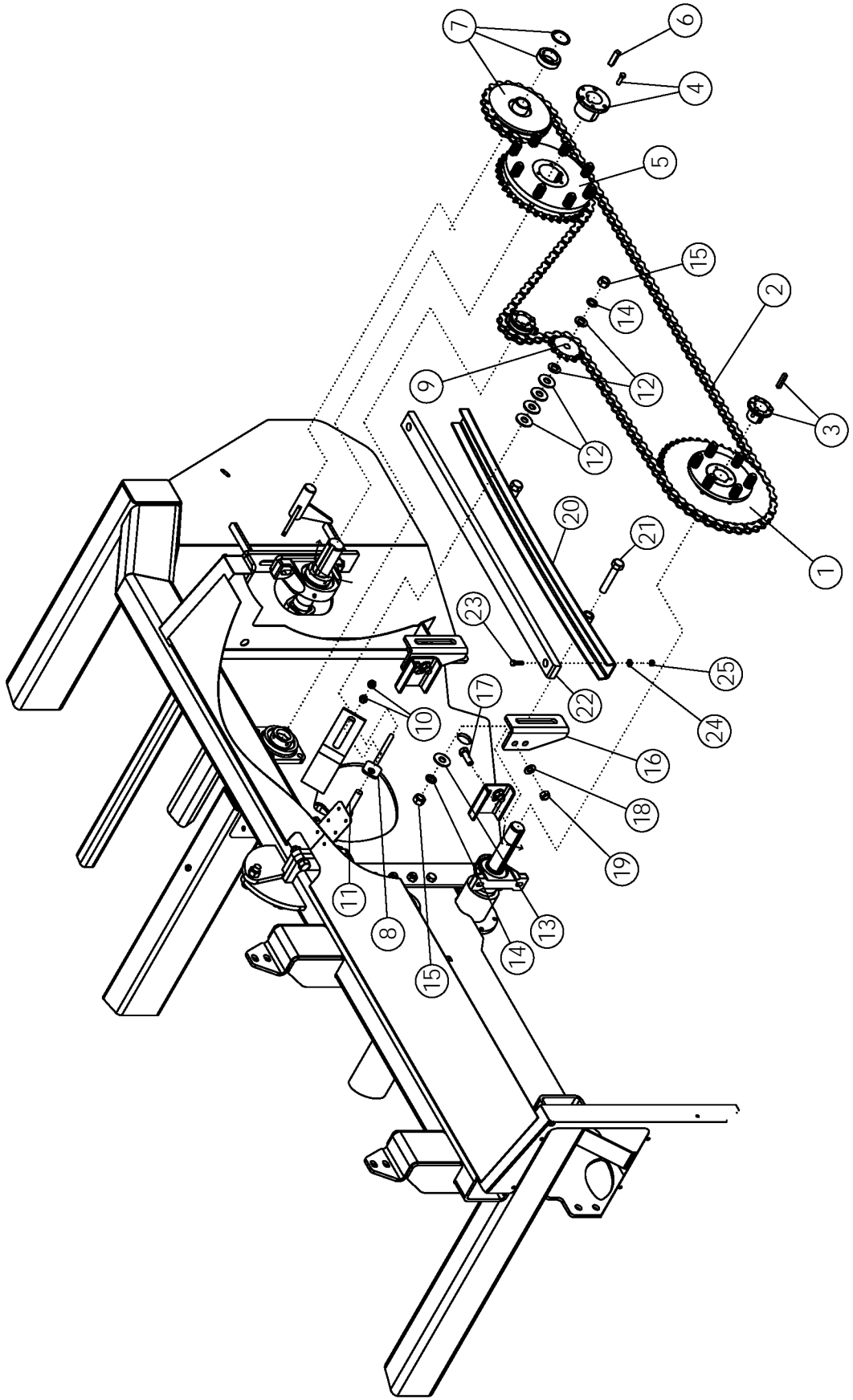
ITEM	PART NO.	DESCRIPTION	QTY
1	53642	U-JOINT	3
2	56775	SPLINE SHAFT	1
3	1013519	NUT-JAM: .38 NC GR2 ZP	12
4	1030708	SCREW-SET: C-P .38 X .75 NC GR8	6
5	1030709	SCREW-SET: C-P .38 X 1.00 NC GR8	6
6	52405	BEARING-PILLOW 1.75	1
7	1017708	BOLT-HEX: .50 X 2.25 NC GR5 ZP	2
8	1014443	WASHER-FLAT: .50 ZP	2
9	1027461	NUT-TOPLOCK: .50 NC GR5 ZP	10
10	52404	BEARING-FLANGE 1.75	2
11	1011608	BOLT-HEX: .50 X 1.75 NC GR5 ZP	8
12	56759	SHAFT-DRIVE 8R	2
13	50152	KEY .38 X .38 X 2.00	7
14	53641	HUB P1 1.75 (WITH KEY)	1
15	62396	GEARBOX-PRAIRIE (1.81:1) PAINTED	1
16	69128	FTG-ADAPTER: 8MP-8MP 4" LONG	1
17	55730	FTG-ADAPTER: 8FP-8FP	1
18	1011813	WASHER-LOCK: .63 ZP	4
19	1032509	BOLT-HEX: .63 X 1.25 NC GR5 ZP	4
20	62034	SPROCKET H80-P12	1
21	57680	SHEAVE 8B62Q	1
	57681	SHEAVE 8B68Q	
	57679	SHEAVE 8B56Q	
22	55123	HUB Q2 1.75	1
23	51481	PTO-CV 1.75" WEASLER (HRV)	1
	51480	PTO-CV 1.38" WEASLER (HRV)	
24	1030704	BOLT-HEX: .63 X 3.25 NC GR5 ZP	2
25	1016595	NUT-TOPLOCK: .63 NC GR5 ZP	2
26	62153	PUMP-HYDRAULIC 5.3	1
27	63702	PLATE-ADAPTER SAE 'B' PUMP	1
28	64617	DECAL-DANGER	2
29	52334	DECAL-WARNING	2
30	52338	DECAL-DANGER	4
31	52329	DECAL-DANGER	2
32	64616	DECAL-ENGAGE PTO	1
33	62964	DECAL-WARNING	1
34	53747	DECAL-DANGER	1
35	59614	DECAL-CAUTION	1





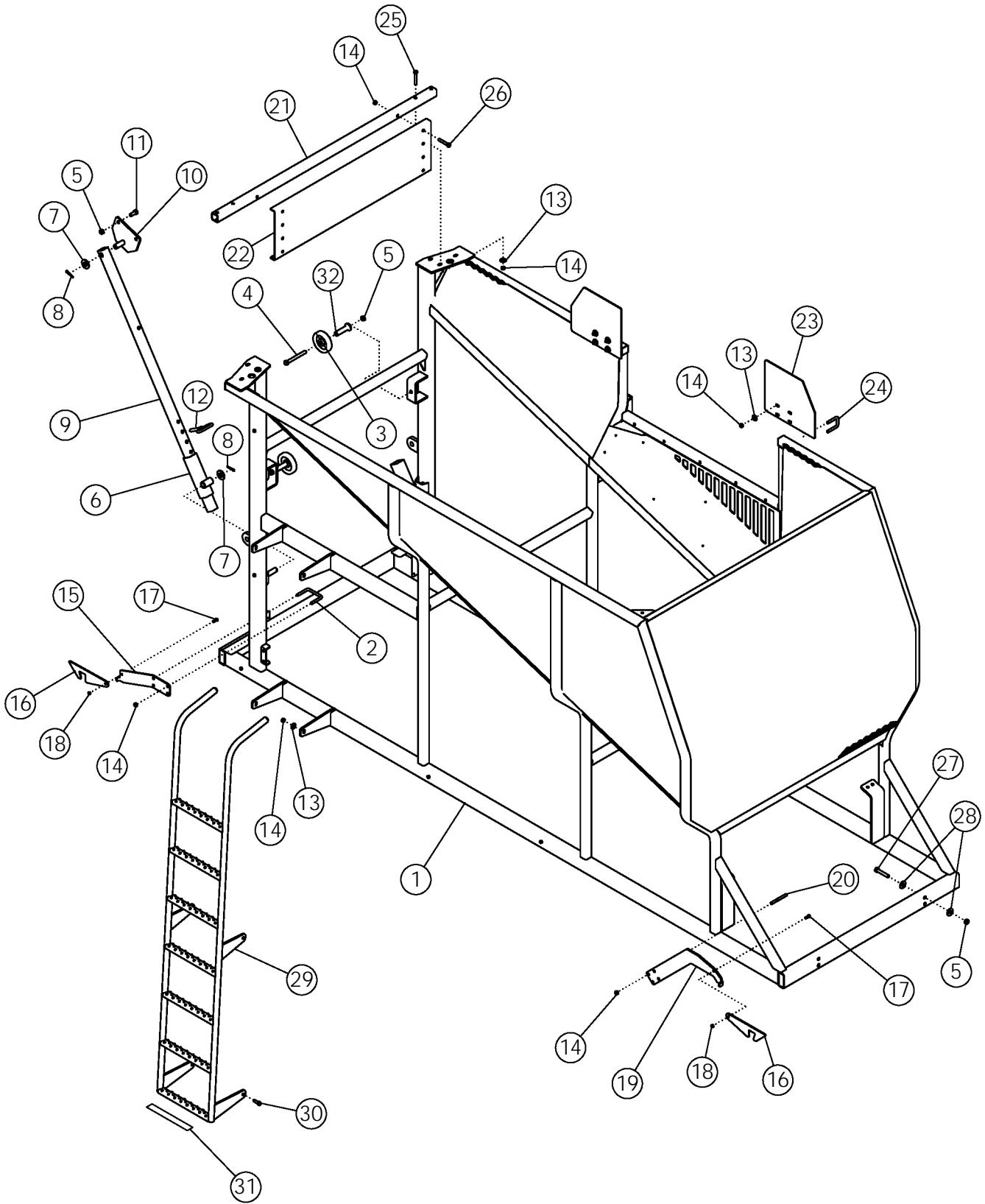
# CLEANING ROLL DRIVE

ITEM	PART NO.	DESCRIPTION	QTY
1	56422	ASSY-SPINDLE & HUB	1
2	56711	ROD-PLATED	1
3	57680	SHEAVE 8B62Q	4
4	56853	SPRING	1
5	56708	HOLDER-PLATED	1
6	56707	ADJUSTMENT ROD ZP	1
7	1011581	WASHER-LOCK: .50 ZP	1
8	1011609	BOLT-HEX: .50 X 2.00 NC GR5 ZP	1
9	1011577	NUT-HEX: .50 NC GR2 ZP	1
10	1011578	NUT-HEX: .63 NC GR2 ZP	3
11	58295	WLDMT-IDLER	1
12	56425	TIGHTENER IDLER	1
13	56398	WLDMT-PULLEY 8R	2
14	50335	HUB Q1 1.75	2
15	50152	KEY .38 X .38 X 2.00	5
16	57995	KEY .50 X .50 X 2.00	1
17	53649	SPROCKET H60-P20	2
18	62106	SPROCKET H60-P19	1
19	53641	HUB P1 1.75 (WITH KEY)	3
20	1013024	WASHER-FLAT: .63 ZP	7
21	1016969	NUT-TOPLOCK: 1.00 NC GR5 ZP	2
22	1015558	BOLT-HEX: .50 X 1.00 NF GR5 ZP	4
23	58248	HUB Q2 2.00	1
24	1019827	PIN-COTTER: .19 X 1.00 NP	1
25	1011624	BOLT-HEX: .63 X 3.00 NC GR5 ZP	1
26	53651	7348-2 SPROCKET IDLER	1
27	1011813	WASHER-LOCK: .63 ZP	1
28	58165	CHAIN-ROLLER 60H-1R-052	1
29	56409	ASSY-IDLER PULLEY 8R	1
30	64474	V-BELT 8B195	1
31	50940	BUSHING	4
32	55123	HUB Q2 1.75	3



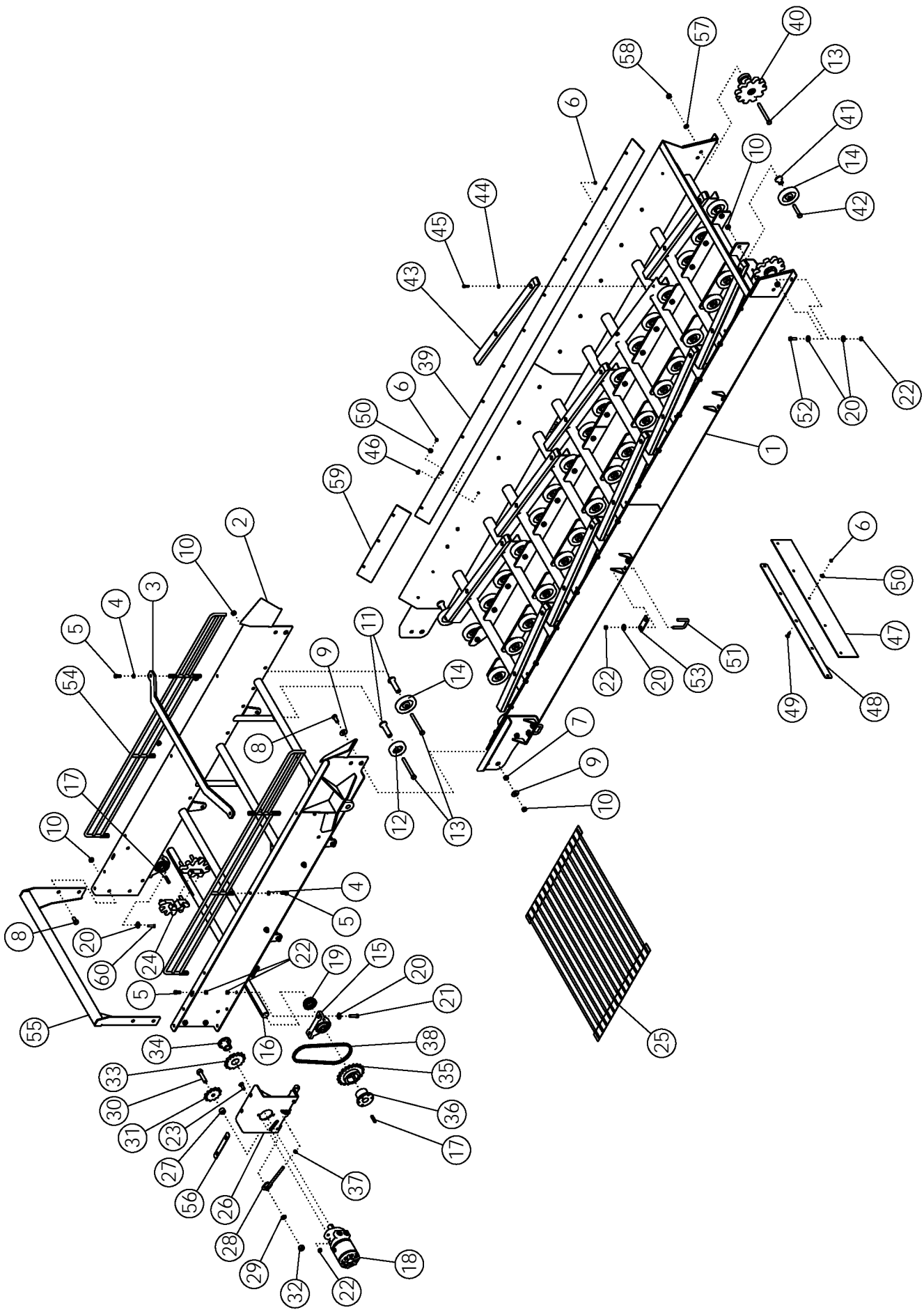
# APRON/PADDLE SHAFT DRIVE

ITEM	PART NO.		QTY
1	58335	SPROCKET-CLUTCH 80P45 PRESET	1
2	63578	CHAIN-ROLLER 80H-1R-176	1
3	53641	HUB P1 1.75 (WITH .38 X 2.00 KEY)	1
4	50385	HUB Q1 2.00	1
5	57993	SPROCKET-CLUTCH 80Q36 PRESET	1
6	57995	KEY .50 X .50 X 2.00	1
7	56851	SPROCKET-IDLER H8025 X 1.44	1
8	56864	WLDMT-ADJUSTER	1
9	56334	SPROCKET-IDLER 8012	1
10	1011577	NUT-HEX: .50 NC GR2 ZP	2
11	1032271	BOLT-HEX: .75 X 3.25 NC GR5 ZP	1
12	1012634	WASHER-FLAT: SAE .75 ZP	6
13	1030702	WASHER-FLAT: .75 ZP	2
14	1012061	WASHER-LOCK: .75 ZP	3
15	1011620	NUT-HEX: .75 NC GR5 ZP	3
16	57804	MOUNT	2
17	1013918	BOLT-HEX: .63 X 1.75 NC GR5 ZP	4
18	1013004	WASHER-FLAT: SAE .63 ZP	4
19	1016595	NUT-TOPLOCK: .63 NC GR5 ZP	4
20	57853	WLDMT-SUPPORT	1
21	1011625	BOLT-HEX: .75 X 4.00 NC GR5 ZP	2
22	57827	SLIDE-CHAIN	1
23	1011601	BOLT-HEX: .38 X 1.25 NC GR5 ZP	2
24	1014608	WASHER-FLAT: SAE .38 ZP	2
25	1016999	NUT-TOPLOCK: .38 NC GR5 ZP	2



# TANK

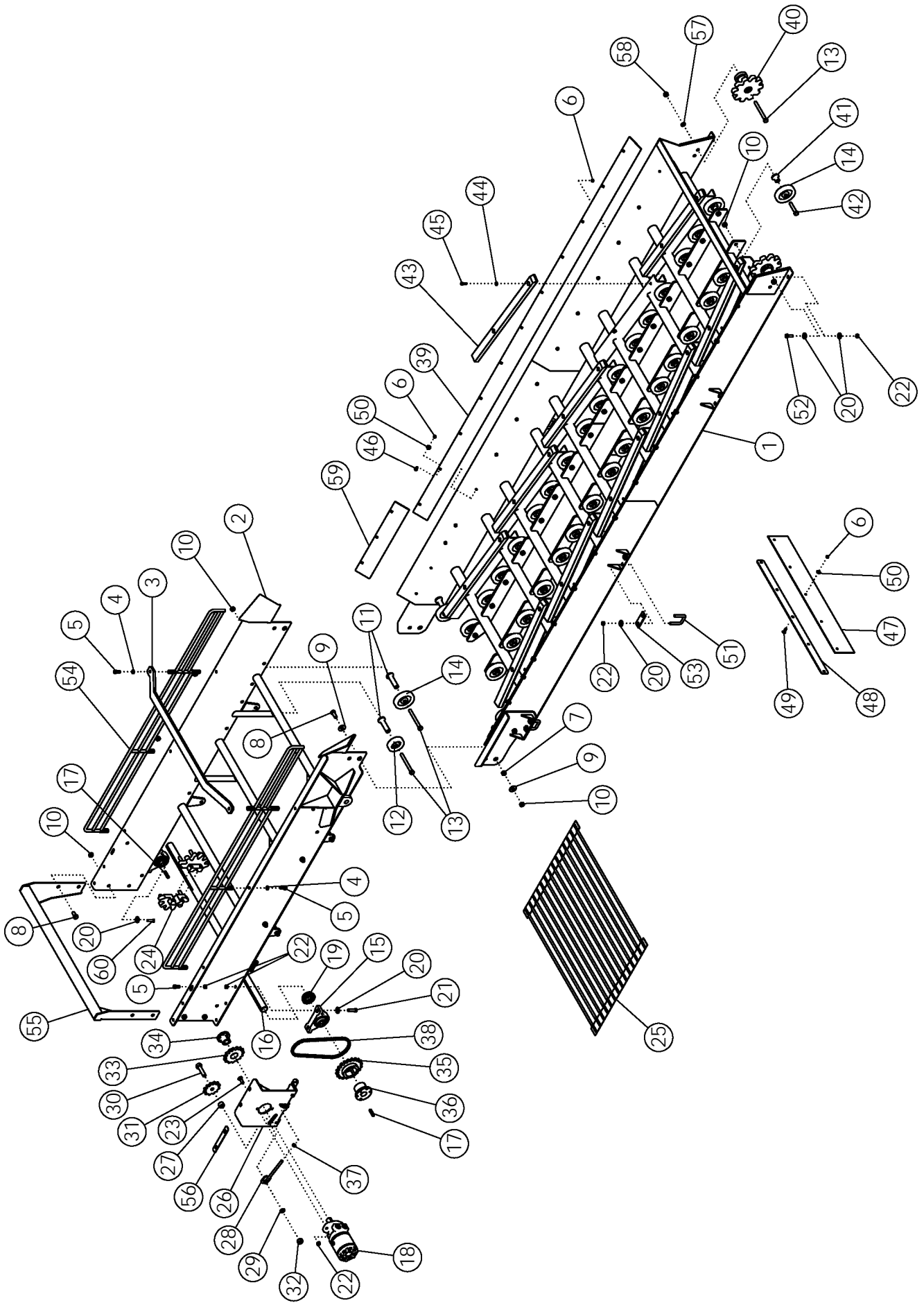
ITEM	PART NO.	DESCRIPTION	QTY
1	64955	WLDMT-TANK WHEEL 8R	1
2	54653	U-BOLT: .50 X 3.25 X 4.00 X 3.25	2
3	53825	BOGIE WHEEL 5"	2
4	1013068	BOLT-HEX: .63 X 6.00 NC GR5 ZP	2
5	1016595	NUT-TOPLOCK: .63 NC GR5 ZP	14
6	54788	WLDMT-LOCK SLIDE	2
7	1020685	WASHER-FLAT: 1.00	4
8	1016944	PIN-COTTER: .25 X 2.00 ZP	4
9	56836	TUBE-LOCK	2
10	54785	WLDMT-LOCK BRACKET	2
11	1014349	BOLT-HEX: .63 X 1.50 NC GR5 ZP	4
12	1030947	PIN-HITCH: .63 X 4.00 ZP W/HAIRPIN	2
13	1014443	WASHER-FLAT: .50 ZP	16
14	1027461	NUT-TOPLOCK: .50 NC GR5 ZP	26
15	64573	LATCH-EXTENSION RH	1
16	51332	LATCH-DOOR	2
17	1011600	BOLT-HEX: .38 X 1.00 NC GR5 ZP	2
18	1016999	NUT-TOPLOCK: .38 NC GR5 ZP	2
19	64957	PLATE-LATCH LH	1
20	65658	U-BOLT: .50 X 3 X 2.06 X 3	2
21	64749	TUBE-STRIKER	1
22	64574	PLATE-STRIKER	1
23	57917	PLATE-EXTENSION	2
24	65658	U-BOLT: .50 X 3 X 2.06 X 3	4
25	1017719	BOLT-HEX: .50 X 3.25 NC GR5 ZP	4
26	1011611	BOLT-HEX: .50 X 3.00 NC GR5 ZP	2
27	1014000	BOLT-HEX: .63 X 3.50 NC GR5 ZP	8
28	1013024	WASHER-FLAT: .63 ZP	16
29	68097	WLDMT-LADDER WHEEL	1
30	1011607	BOLT-HEX: .50 X 1.50 NC GR5 ZP	4
31	59615	DECAL-REFLECTIVE TAPE	7
32	64192	STAND-OFF 4.00	2



# ELEVATOR AND BOOM ASSEMBLY

ITEM	PART NO.	DESCRIPTION	QTY
1	64960	WLDMT-ELEVATOR 8R	1
2	53450	WLDMT-ELEVATOR BOOM	1
3	54803	CROSS BRACE-BOOM	1
4	1011581	WASHER-LOCK: .50 ZP	8
5	1011606	BOLT-HEX: .50 X 1.25 NC GR5 ZP	10
6	1016999	NUT-TOPLOCK: .38 NC GR5 ZP	53
7	53449	SLEEVE-HINGE	2
8	1014349	BOLT-HEX: .63 X 1.50 NC GR5 ZP	6
9	1013024	WASHER-FLAT: .63 ZP	4
10	1016595	NUT-TOPLOCK: .63 NC GR5 ZP	50
11	64192	STAND OFF: .63 X 4.00	12
12	53854	BOGIE WHEEL 4"	4
13	1013068	BOLT-HEX: .63 X 6.00 NC GR5 ZP	14
14	53825	BOGIE WHEEL 5"	40
15	52405	BEARING-PILLOW 1.75	2
16	68650	SHAFT-HEAD Ø1.75	1
17	50152	KEY .38 X .38 X 2.00	3
18	57686	MOTOR-HYDRAULIC 32.3IN <sup>3</sup> /REV	1
19	52382	SEAL PROTECTOR 1.75	2
20	1014443	WASHER-FLAT: .50 ZP	26
21	1011609	BOLT-HEX: .50 X 2.00 NC GR5 ZP	26
22	1027461	NUT-TOPLOCK: .50 NC GR5 ZP	22
23	1011660	BOLT-CRG: .50 X 1.50 NC GR5 ZP	2
24	68659	SPROCKET-SPLIT 50MM	2
	68658	SPROCKET-SPLIT 56MM	
25	68073	BELT-50MM .50 X 42 X 261 LPR	1
	68072	BELT-56MM .50 X 42 X 233 LPR	
26	64627	WLDMT-REDUCTION MOUNT	1
27	58086	SPACER-CHAIN IDLER ZP	1
28	63876	TENSIONER ZP	1
29	1012061	WASHER-LOCK: .75 ZP	1
30	1012059	BOLT-HEX: .75 X 3.00 NC GR5 ZP	1
31	56334	SPROCKET-IDLER 8012	1
32	1011620	NUT-HEX: .75 NC	1
33	64155	SPROCKET H80-P15	1
34	53719	HUB P1 1.25	1
35	56650	SPROCKET H80-Q20	1
36	50335	HUB Q1 1.75	1
37	1011591	NUT-JAM: .50 NC ZP	2
38	64654	CHAIN-ROLLER 80H-1R-038	1
	64675	LINK OFFSET 80H	AR

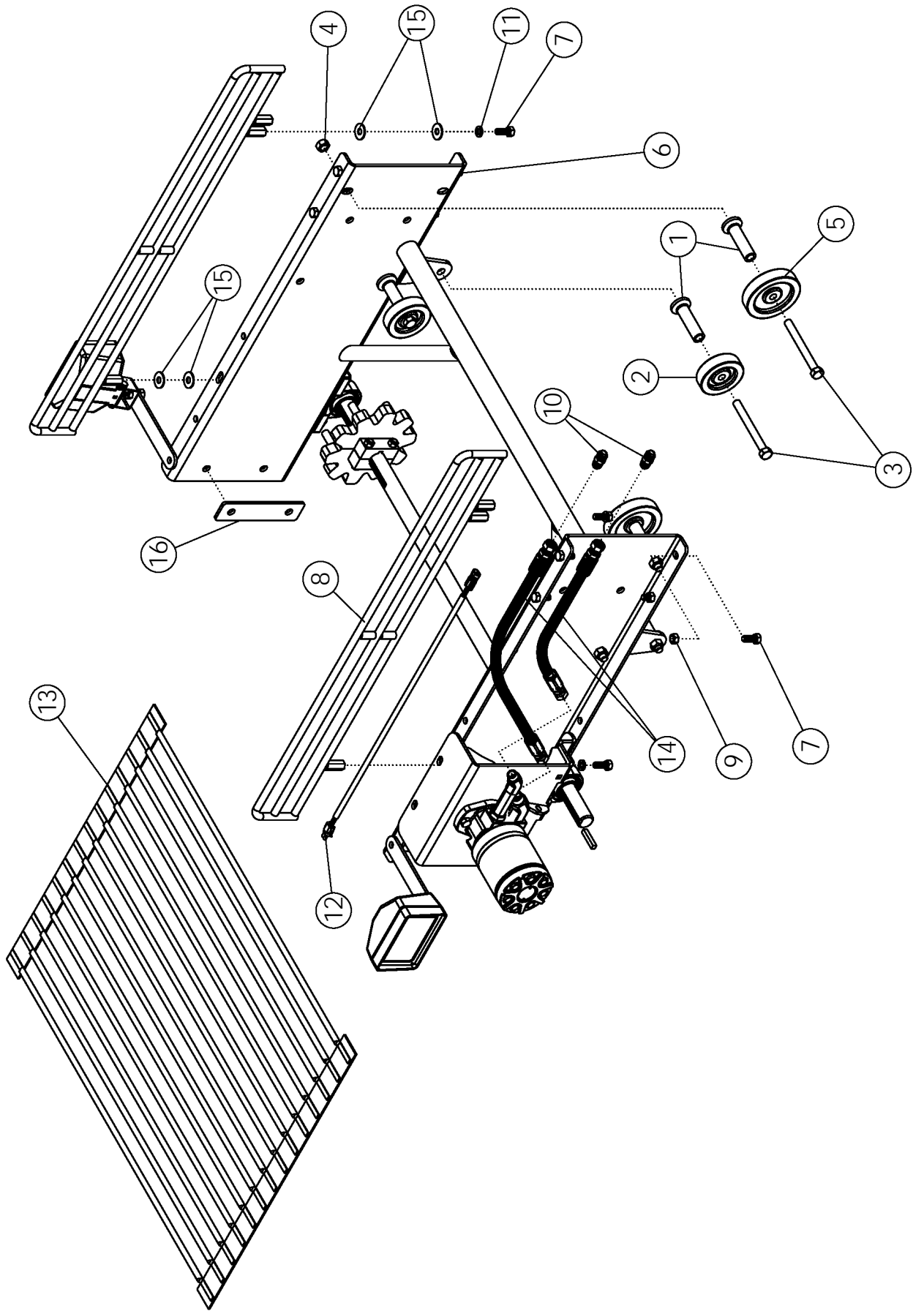
CONTINUED





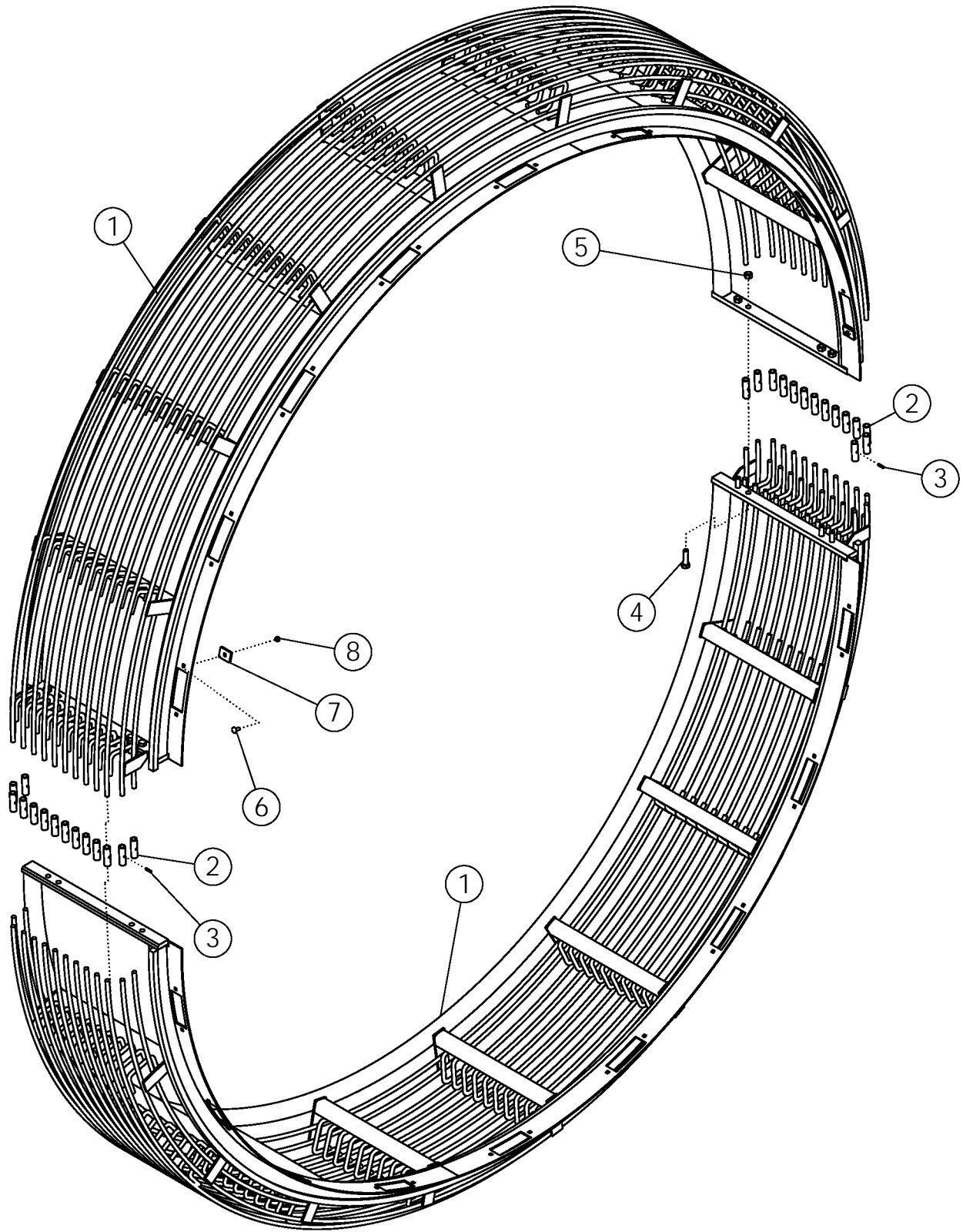
## ELEVATOR AND BOOM ASSEMBLY (CONTINUED)

ITEM	PART NO.	DESCRIPTION	QTY
39	64550	BELT PROTECTOR	2
40	63813	SPROCKET-IDLER 50MM 10T	2
	54824	SPROCKET-IDLER 56MM	
41	58971	STAND OFF 1.50"	32
42	65825	BOLT-HEX: .63 X 3.25 NC GR5 ZP	32
43	56774	PLASTIC SLIDE	10
44	1014608	WASHER-FLT: SAE .38 ZP	20
45	1011601	BOLT-HEX: .38 X 1.25 NC GR5 ZP	20
46	1011599	BOLT-HEX: .38 X .75 NC GR5 ZP	28
47	64609	FLAP-ELEVATOR	1
48	64608	STRIP-BOLTING	1
49	1016362	BOLT-CRG: .38 X 1.25 NC GR5 ZP	5
50	1011828	WASHER-FLAT: .38 ZP	33
51	65658	U-BOLT: .50 X 3 X 2.06 X 3	6
52	1011607	BOLT-HEX: .50 X 1.50 NC GR5 ZP	2
53	64748	PLATE-ELEVATOR BACKING	4
54	64744	WLDMT-BOOM EXTENSION	2
55	64578	WLDMT-BOOM END SUPPORT	1
56	64732	PLATE-SHIM	AR
57	1011813	WASHER-LOCK: .63 ZP	2
58	1011578	NUT-HEX: .63 NC GR2 ZP	2
59	64965	BELT PROTECTOR	2
60	1011608	BOLT-HEX: .50 X 1.750 NC GR5 ZP	2



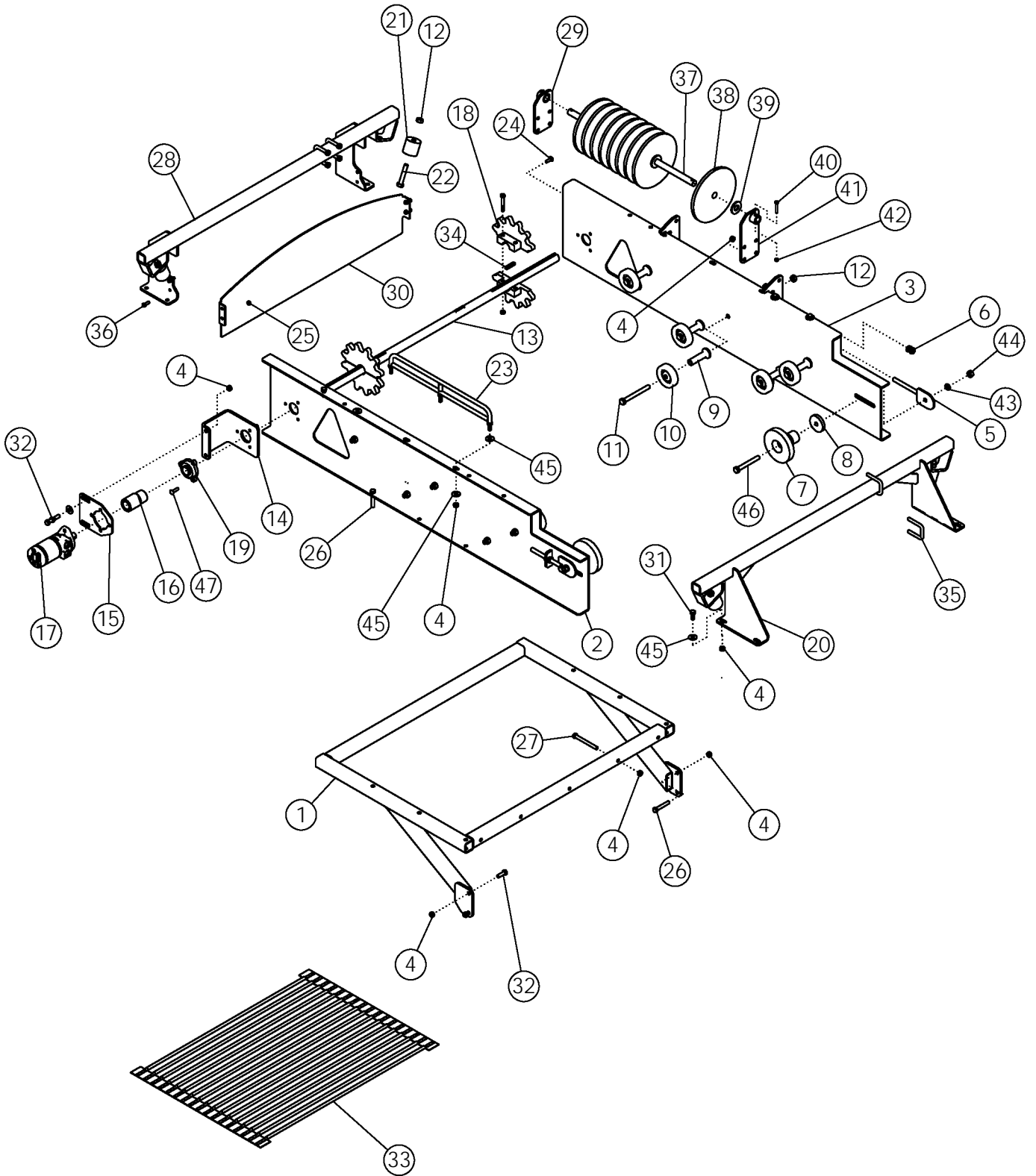
## BOOM EXTENSION 50MM/56MM (OPTIONAL)

ITEM	PART NO.	DESCRIPTION	QTY
1	64192	STAND OFF	6
2	53854	BOGIE WHEEL 4"	4
3	1013068	BOLT-HEX: .63 X 6.00 NC GR5 ZP	6
4	1016595	NUT-TOPLOCK: .63 NC GR5 ZP	6
5	53825	BOGIE WHEEL 5"	2
6	68708	WLDMT-BOOM EXTENSION	1
7	1011606	BOLT-HEX: .50 X 1.25 NC GR5 ZP	12
8	58898	WLDMT-BOOM EXT. RAIL	2
9	1027461	NUT-TOPLOCK: .50 NC GR5 ZP	8
10	58194	FTG-ADAPTER: 8MJ-8MJ	2
11	1011581	WASHER-LOCK: .50 ZP	4
12	64077	HARNES-EXTENSION: 32" 2 WIRE	2
13	68077	BELT-50MM: .50 X 42 X 30LPR	1
	68076	BELT-56MM: .50 X 42 X 27LPR	
14	57676	HOSE: .50 X 31 8FJX-8FJX	2
15	1014443	WASHER-FLAT: .50 ZP	9
16	68710	PLATE-BOOM SUPPORT SPACER	AR



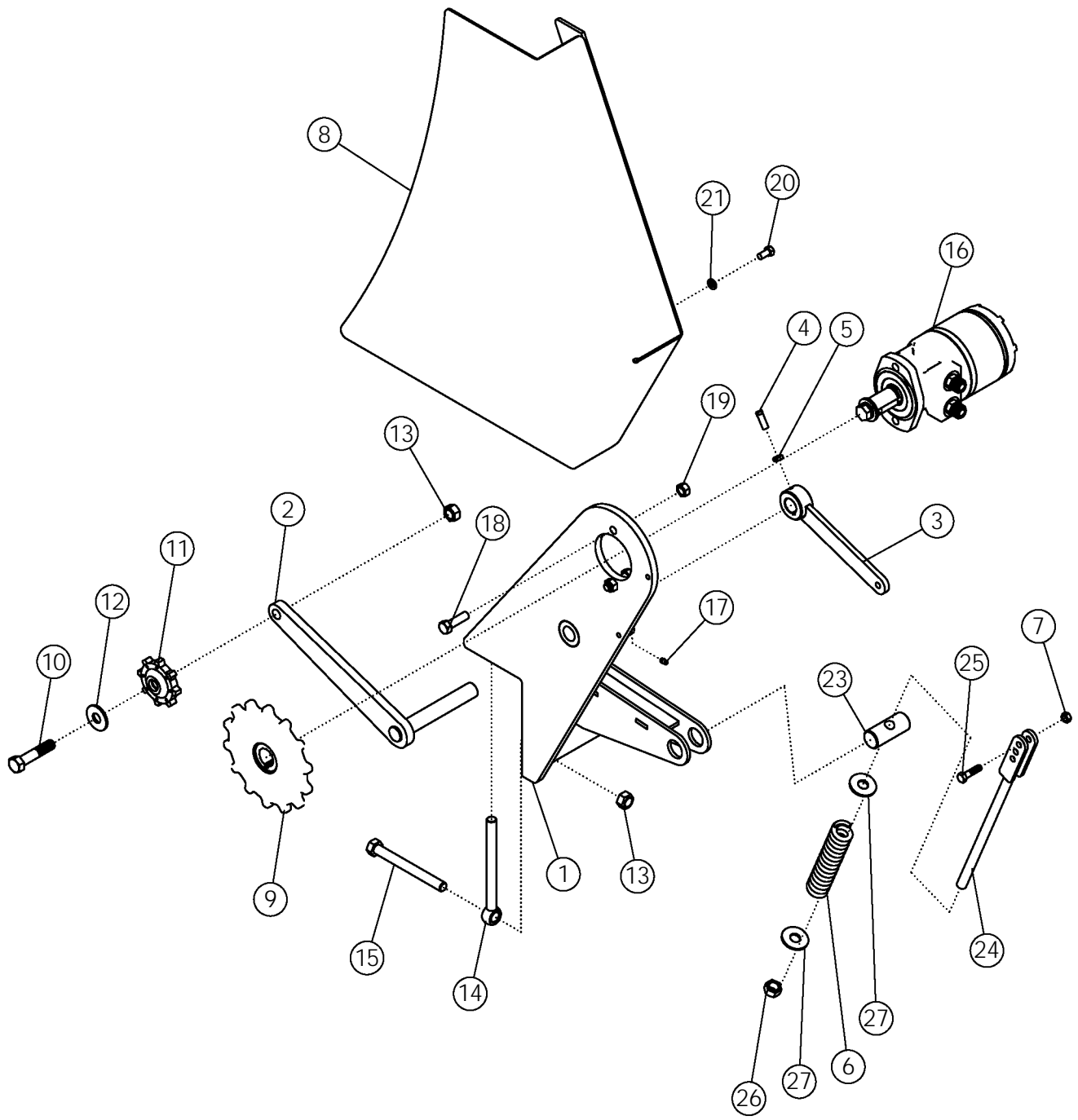
# WHEEL ASSEMBLY

ITEM	PART NO.	DESCRIPTION	QTY
1	58704	WLDMT-WHEEL HALF	2
2	59410	TUBE-COUPLER ZP	28
3	1030795	PIN-ROLL: .25 X 1.00 ZP	28
4	1017526	BOLT-HEX .63 X 2.25 NC GR5 ZP	8
5	1016595	NUT-TOPLOCK: .63 NC GR5 ZP	8
6	59488	BOLT-CRG: .38 X 1.00 NC GR5 ZP	18
7	59485	TAB-WHEEL DRIVE	18
8	1016999	NUT-TOPLOCK: .38 NC GR5 ZP	18



# WHEEL CONVEYOR

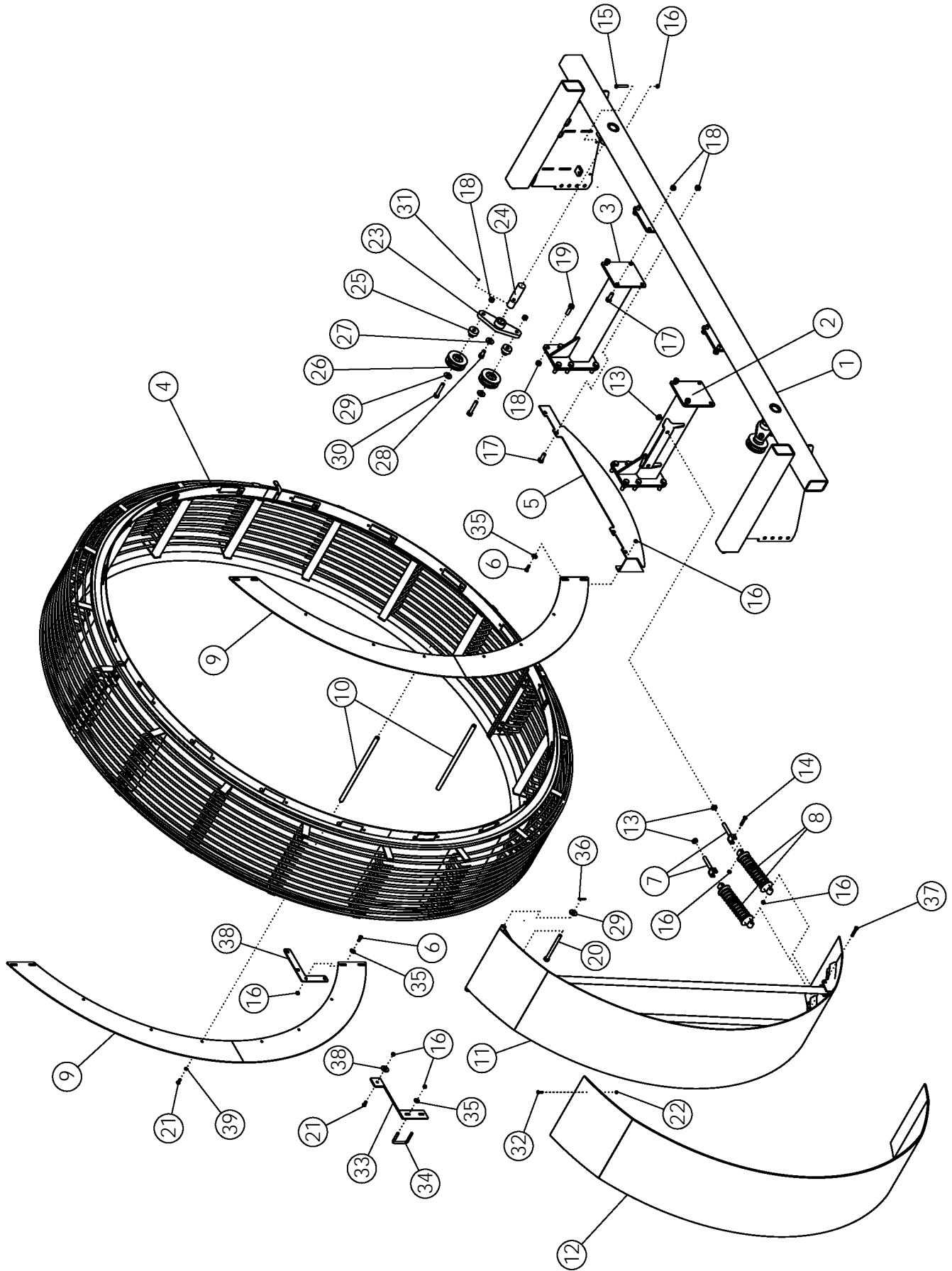
ITEM	PART NO.	DESCRIPTION	QTY
1	58764	WLDMT-FRAME	1
2	64878	WLDMT-ELEVATOR SIDE RH	1
3	64877	WLMdT-ELEVATOR SIDE LH	1
4	1027461	NUT-TOPLOCK: .50 NC GR5 ZP	38
5	59711	TIGHTENER BOLT ZP	2
6	1026259	NUT-JAM: .63 NC GR2 ZP	4
7	54042	ROLLER-STEP 6"	2
8	62932	PLATE-SHIM	2
9	64192	STAND OFF	10
10	53854	BOGIE WHEEL 4"	10
11	1013068	BOLT-HEX: .63 X 6.00 NC GR5 ZP	10
12	1016595	NUT-TOPLOCK: .63 NC GR5 ZP	14
13	53392	SHAFT - DRIVE	1
14	62914	BRACKET-MOTOR MOUNT	1
15	57843	PLATE - MOTOR	1
16	52867	COUPLING	1
17	59449	MOTOR-HYDRAULIC 20 IN <sup>3</sup> /REV	1
18	53712	SPROCKET-SPLIT 45MM	2
19	53662	BEARING-FLANGE 1-7/16"	2
20	59695	WLDMT-ROLLER MOUNT FRONT	1
21	59454	IDLER ROLLER	4
22	1014000	BOLT-HEX: .63 X 3.50 NC GR5 ZP	4
23	62047	WLDMT-ELEVATOR GUARD	1
24	1016362	BOLT-CRG: .38 X 1.25 NC GR5 ZP	3
25	1016999	NUT-TOPLOCK: .38 NC GR5 ZP	10
26	1011611	BOLT-HEX: .50 X 3.00 NC GR5 ZP	2
27	1011618	BOLT-HEX: .50 X 5.00 NC GR5 ZP	5
28	59702	WLDMT-ROLLER MOUNT REAR	1
29	57925	KNOCKOUT BRACKET REAR	1
30	64918	SHIELD-UPPER	1
31	1011606	BOLT-HEX: .50 X 1.25 NC GR5 ZP	8
32	1011607	BOLT-HEX: .50 X 1.50 NC GR5 ZP	6
33	68078	BELT: .50 X 42 X 85LPR WUP	1
34	50152	KEY .38 X .38 X 2.00	2
35	65658	U-BOLT: .50 X 3.00 X 2.06 X 3.00	4
36	1011600	BOLT-HEX: .38 X 1.00 NC GR5 ZP	4
37	59720	SHAFT-KNOCKOUT WHEEL	1
38	52876	KNOCKOUT WHEEL	9
39	1020685	WASHER FLAT: 1.00 ZP	10
40	1011285	BOLT-HEX: .31 X 2.00 NC GR5 ZP	2
41	59724	KNOCKOUT BRACKET FRONT	1
42	1030700	NUT-TOPLOCK: .31 NC GR5 ZP	2
43	1011813	WASHER -LOCK: .63 ZP	2
44	1011578	NUT-HEX: .63 NC GR2 ZP	2
45	1014443	WASHER-FLAT: .50 ZP	14
46	1013816	BOLT-HEX: .63 X 5.00 NC GR5 ZP	2
47	58679	BOLT-CRG: .38 X 1.50 NC GR5 ZP	3





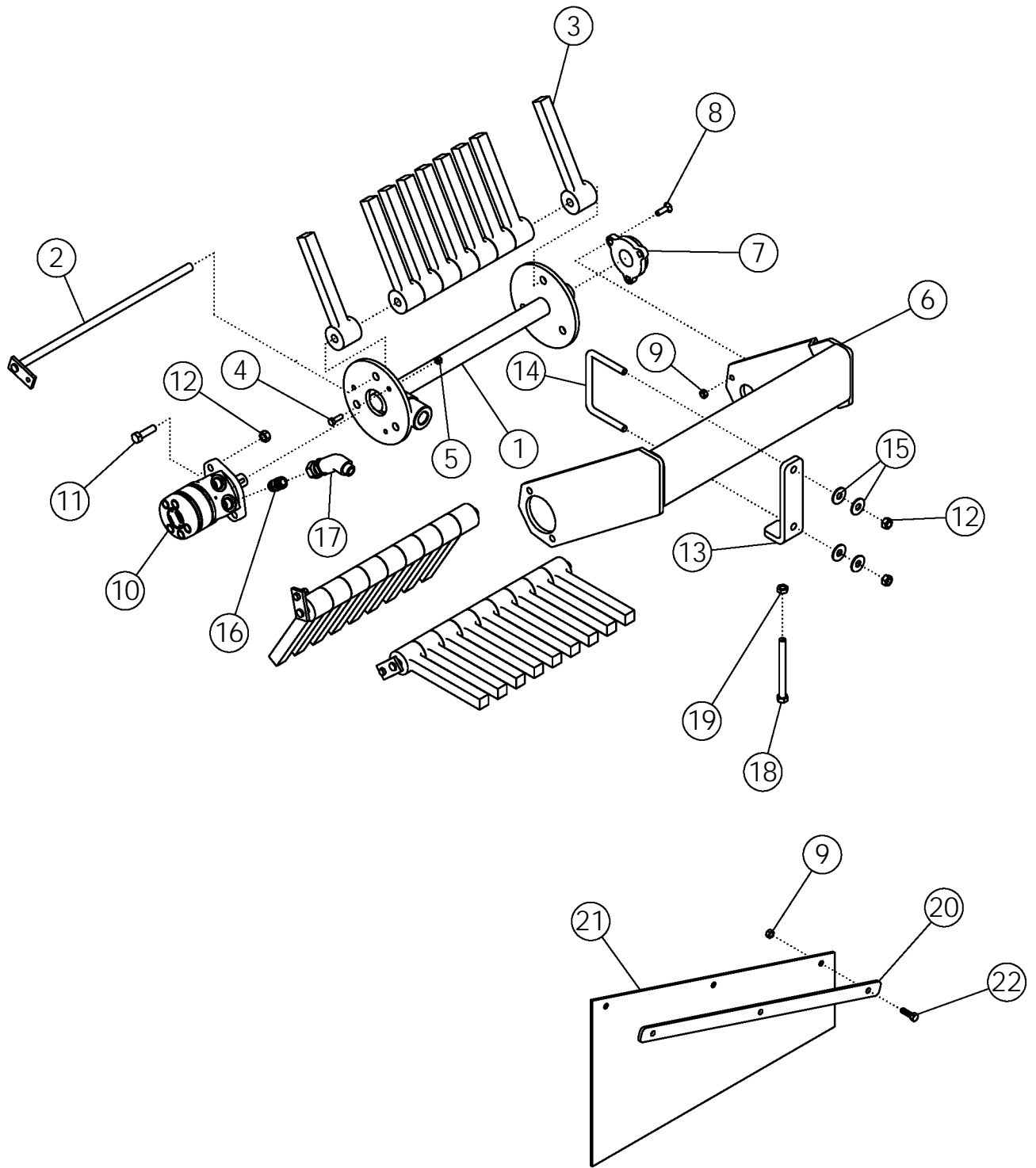
# WHEEL DRIVE

ITEM	PART NO.	DESCRIPTION	QTY
1	59618	WLDMT-MOTOR MOUNT	1
2	59624	WLDMT-IDLER ARM	1
3	50718	ARM-ZP	1
4	50813	SCREW-SET: SQ HD .38 X 1.00 ZP	1
5	1013519	NUT-JAM: .38 NC GR2 ZP	1
6	64915	SPRING	1
7	1016999	NUT-TOPLOCK: .38 NC GR5 ZP	1
8	59630	WLDMT-CHAIN GUARD	1
9	59978	WLDMT-DRIVE SPROCKET	1
10	1011624	BOLT-HEX: .63 X 3.00 NC GR5 ZP	1
11	59629	SPROCKET-IDLER	1
12	1013024	WASHER-FLAT: .63 ZP	1
13	1016595	NUT-TOPLOCK: .63 NC GR5 ZP	5
14	53195	EYEBOLT: .63 X 7.50 ZP	2
15	1013068	BOLT-HEX: .63 X 6.00 NC GR5 ZP	2
16	58987	MOTOR-HYDRAULIC 20.6IN <sup>3</sup> /REV	1
17	1011748	ZERK - GREASE	1
18	1011608	BOLT-HEX: .50 X 1.75 NC GR5 ZP	2
19	1027461	NUT-TOPLOCK: .50 NC GR5 ZP	2
20	1011599	BOLT-HEX: .38 X 0.75 NC GR5 ZP	2
21	1011586	WASHER-LOCK: .38 ZP	2
22	59625	CHAIN-WHEEL DRIVE (NOT SHOWN)	1
23	64914	SHAFT-PIVOT	1
24	64913	SHAFT-ZP	1
25	1011602	BOLT-HEX: .38 X 1.50 NC GR5 ZP	1
26	1013302	NUT-NYLOCK: .63 NC GR2 ZP	1
27	1013004	WASHER-FLAT: SAE .63 ZP	2



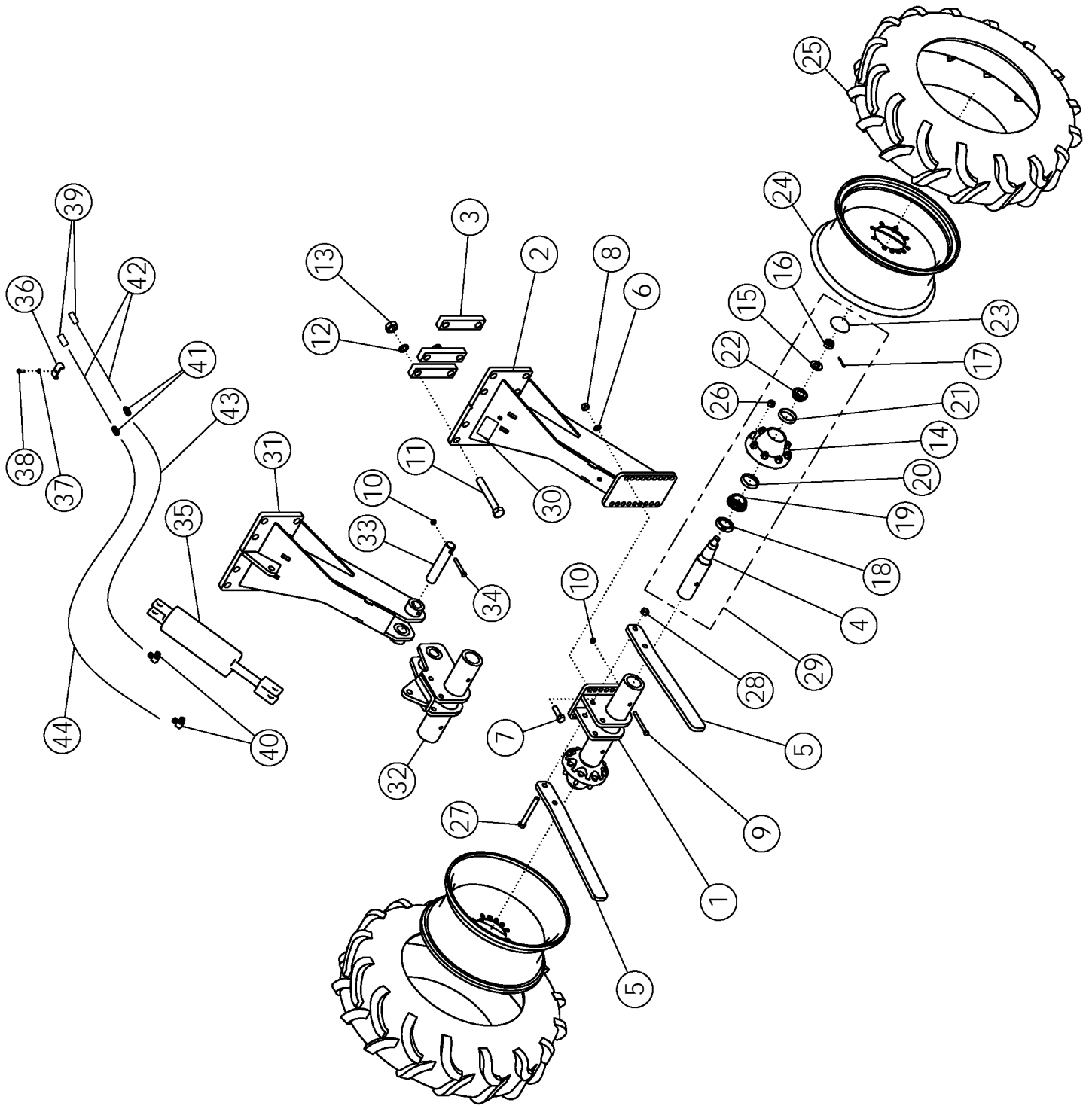
# FRAME EXTENSION

ITEM	PART NO.	DESCRIPTION	QTY
1	59548	WLDMT - FRAME EXT 8R22 WHEEL	1
2	59420	WLDMT - SUPPORT LH	1
3	58658	WLDMT - SUPPORT RH	1
4	59411	ASSY-WHEEL	1
5	59458	WLDMT-LOWER DEFLECTOR	1
6	1011606	BOLT-HEX: .50 X 1.25 NC GR5 ZP	9
7	59636	BOLT-CLEVIS ZP	2
8	59637	SHOCK-COIL SPRING	2
9	59461	WLDMT-SHIELD SHOE	2
10	59502	SLIDE SUPPORT	2
11	59470	WLDMT-SLIDE	1
12	64124	PLASTIC SLIDE	1
13	1011827	NUT-JAM: .75 NC GR2 ZP	4
14	1011610	BOLT-HEX: .50 X 2.50 NC GR5 ZP	2
15	1011612	BOLT-HEX: .50 X 3.50 GR5 ZP	2
16	1027461	NUT-TOPLOCK: .50 NC GR5 ZP	17
17	1012060	BOLT-HEX: .75 X 2.00 NC GR5 ZP	8
18	1017000	NUT-TOPLOCK: .75 NC GR5 ZP	24
19	1016598	BOLT-HEX: .75 X 2.50 NC GR5 ZP	12
20	69148	PIN-BOLT W/COTTER	2
21	1011096	BOLT-HEX: .50 X 1.00 NC GR5 ZP	4
22	1016999	NUT-TOPLOCK: .38 NC GR5 ZP	26
23	59437	WLDMT-ROLLER MOUNT	2
24	58726	SHAFT-MOUNT ROLLER	2
25	58910	STAND-OFF ROLLER	4
26	53681	ROLLER FLANGE	4
27	1012061	WASHER-LOCK: .75 ZP	2
28	58367	BOLT-HEX: .75 X 1.50 NC GR5 ZP	2
29	1030702	WASHER-FLAT: .75 ZP	8
30	1011625	BOLT-HEX: .75 X 4.00 NC GR5 ZP	4
31	1011748	ZERK-GREASE	2
32	58679	BOLT-CRG: .38 X 1.50 NC GR5 ZP	26
33	64979	BRACKET-SHIELD BRACE	1
34	54653	U-BOLT: .50 X 3.25 X 4.00 X 3.25	1
35	1014443	WASHER-FLAT: .50 ZP	11
36	1019827	PIN-COTTER: .19 X 1.00 ZP	2
37	1016858	BOLT-HEX: .50 X 2.75 NC GR5 ZP	2
38	62785	SHIELD-MOUNT	1
39	1011581	WASHER-LOCK: .50 ZP	4



## WHEEL CLEANER (OPTIONAL)

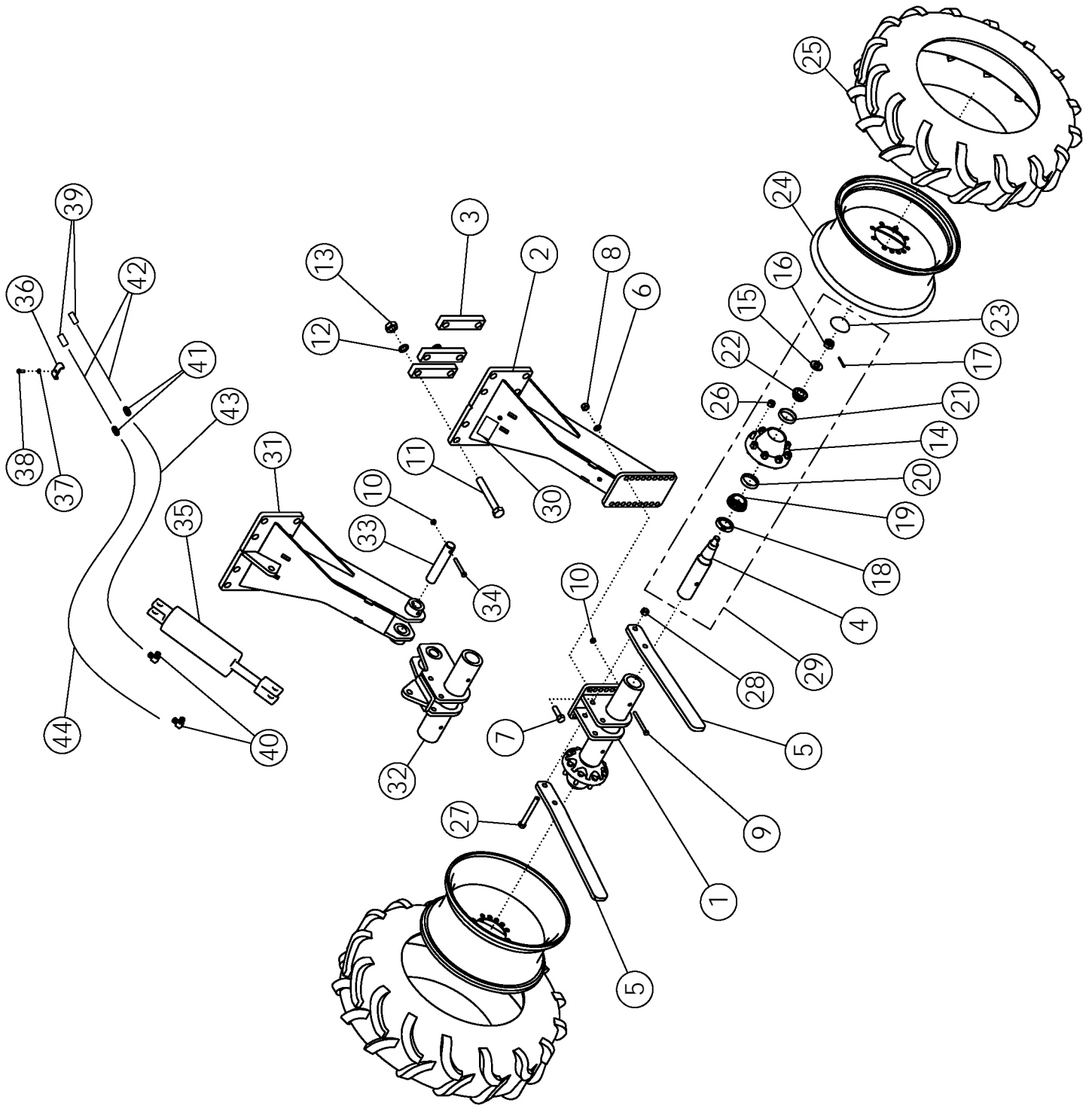
ITEM	PART NO.	DESCRIPTION	QTY
1	59663	WLDMT-FLAIL SHAFT	1
2	59668	WLDMT-FLAIL ROD	3
3	59656	FLAIL-STRAIGHT 1"	27
4	1011598	BOLT-HEX: .31 X 1.00 NC GR5 ZP	3
5	1030700	NUT-HEX: .31 NC GR5 ZP	3
6	59658	WLDMT-WHEEL CLEANER MOUNT	1
7	53662	BEARING-FLANGE 1.44	1
8	1016362	BOLT-CRG: .38 X 1.25 NC GR5 ZP	3
9	1016999	NUT-TOPLOCK: .38 NC GR5 ZP	6
10	59674	MOTOR-HYDRAULIC 6.0 IN <sup>3</sup> /REV	1
11	1011608	BOLT-HEX: .50 X 1.75 NC GR5 ZP	2
12	1027461	NUT-TOPLOCK: .50 NC GR5 ZP	6
13	59662	BRACKET-ADJUSTMENT	2
14	59673	U-BOLT: .50 X 3.75 X 5.00 X 3.75	2
15	1014443	WASHER-FLAT: .50 ZP	8
16	59043	FTG-ADAPTER: 10MB-12MJ	2
17	62014	FTG-ADAPTER: 12MJ-12FJX-45	2
18	59672	BOLT-TAP: .50 X 5.50 NC GR5 ZP	2
19	1011591	NUT-JAM: .50 NC ZP	2
20	62252	STRIP-BOLTING	1
21	62551	FLAP-DEFLECTOR	1
22	1011601	BOLT-HEX: .38 X 1.25 NC GR5 ZP	3



# STANDARD REAR STRUTS

ITEM	PART NO.	DESCRIPTION	QTY
1	57233	WLDMT - MOUNT STANDARD	1
2	57882	WLDMT REAR STRUT RH	1
	57883	WLDMT REAR STRUT LH (NOT SHOWN)	
3	64143	BAR - BOLTING	3
4	52954*	SPINDLE-STANDARD	1
5	59045	SCRAPER	2
6	1012061	WASHER-LOCK: .75 ZP	6
7	1016598	BOLT-HEX: .75 X 2.50 NC GR5 ZP	6
8	1011620	NUT-HEX: .75 NC	6
9	1011618	BOLT-HEX: .50 X 5.00 NC GR5 ZP	2
10	1027461	NUT-TOPLOCK: .50 NC GR5 ZP	2
11	64145	BOLT-HEX: 1.13 X 8.00 NC GR8 ZP	6
12	64147	WASHER-LOCK: 1.13 ZP	6
13	64146	NUT-HEX: 1.13 NC GR2 ZP	6
14	53623*	HUB-WHEEL 8 BOLT	1
15	1030728*	WASHER-SPINDLE: 1.06ID X 2.13OD	1
16	1030726*	NUT-SPINDLE: 1.00 NF NP	1
17	1030797*	PIN-COTTER: .19 X 1.75 NP	1
18	53619*	SEAL	1
19	53621*	BEARING CONE-INNER	1
20	53622*	BEARING CUP-INNER	1
21	52243*	BEARING CUP-OUTER	1
22	53620*	BEARING CONE-OUTER	1
23	53624*	HUB CAP	1
24	56903	WHEEL W10 X 24 8 BOLT (1.88 POS)	2
25	56976	TIRE 11.2-24 10 PLY R1	2
	68973	TUBE-REPAIR 11.2-24	AR
26	53625*	NUT-WHEEL: .63-18NF	8
27	1012059	BOLT-HEX: .75 X 6.50 NC GR5 ZP	2
28	1017000	NUT-TOPLOCK: .75 NC GR5 ZP	2
29	53167	ASSY-HUB & SPINDLE 8-BOLT	2
30	52248	DECAL-CAUTION	1
31	69204	WLDMT-STRUT LH ADJ	1
32	69205	WLDMT-MOUNT ADJ STRUT	1
33	72311	PIN-AXLE MAIN	1
34	1029104	BOLT-KHEX: .50 X 3.75 NC GR5 ZP	1
35	72950	CYLINDER-HYDRAULIC 4 X 10	1
36	50714	CLAMP .50 ZP	6
37	1011586	WASHER-LOCK: .38 ZP	6
38	1011600	BOLT-HEX: .38 X 1.00 NC GR5 ZP	6

CONTINUED

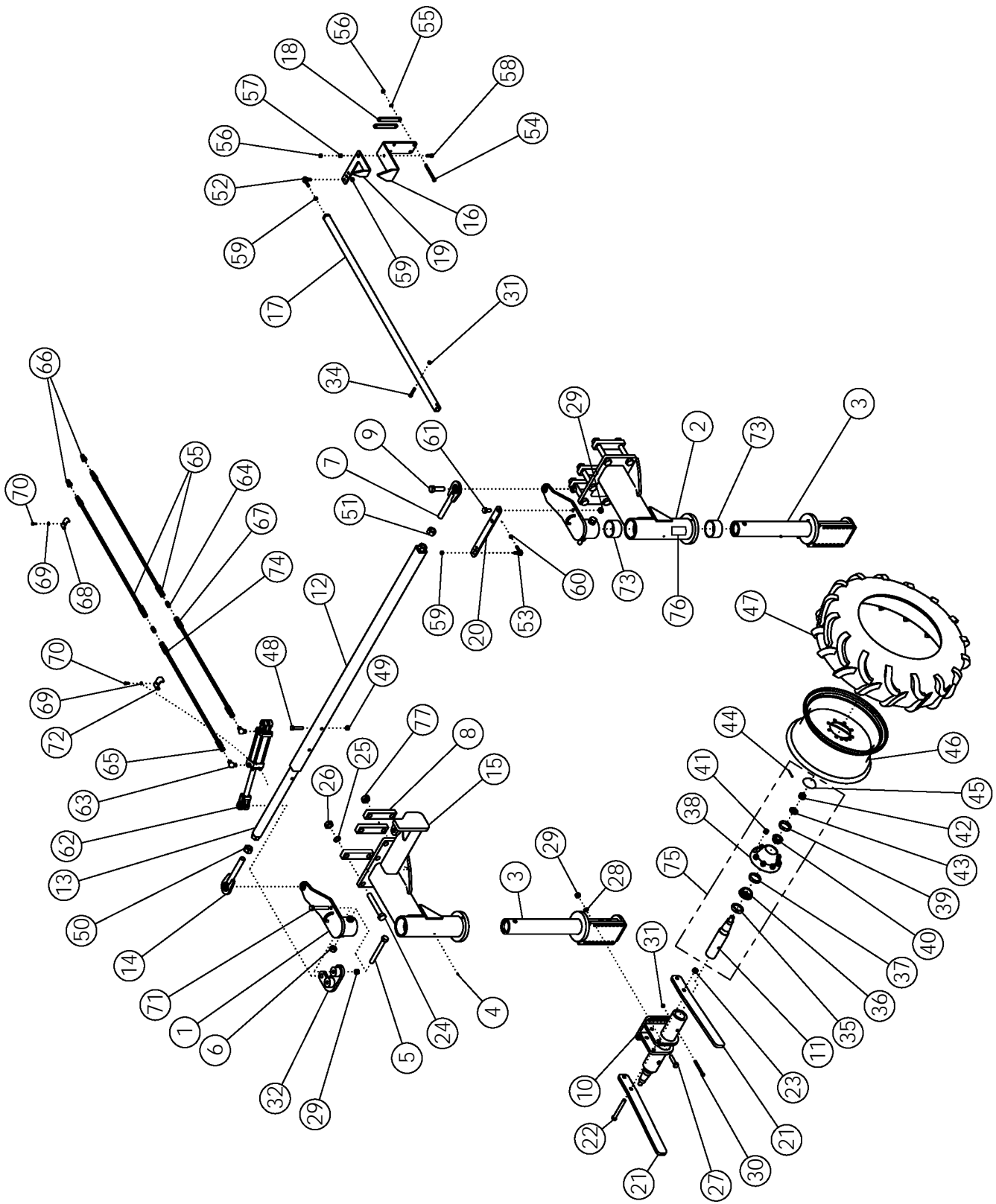




## STANDARD REAR STRUTS (CONTINUED)

ITEM	PART NO.	DESCRIPTION	QTY
39	53631	PIONEER TIP 8010-4	2
40	58560	FTG-ELBOW: 8MB-8MJ-90	2
41	58194	FTG-ADAPTER: 8MJ-8MJ	2
42	58376	HOSE: .50 X 108 8MP-8FJX	2
43	58377	HOSE: .50 X 172 8FJX-8FJX	1
44	58378	HOSE: .50 X 182 8FJX-8FJX	1

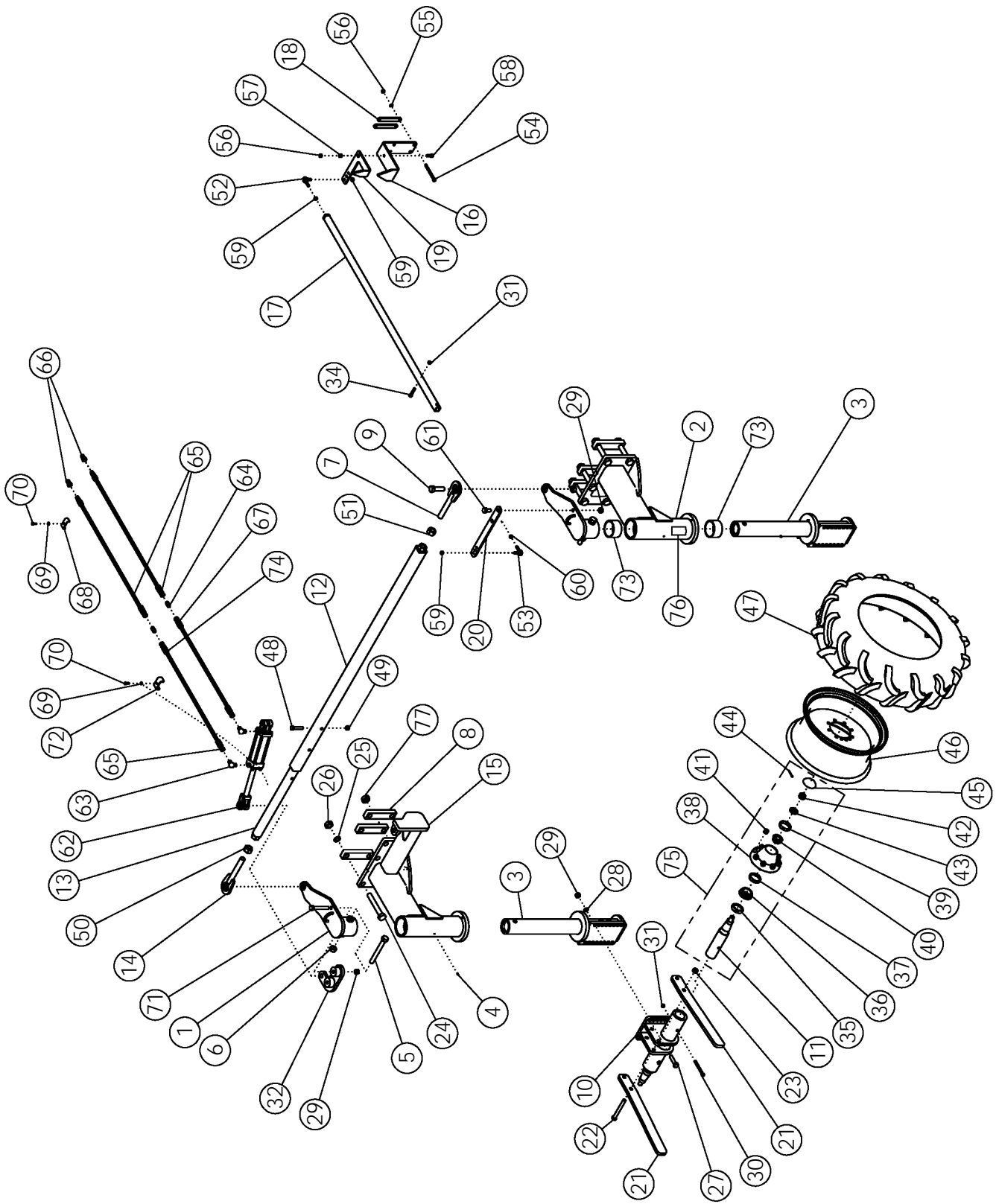
\* Items are included in Item 29



# STEERABLE REAR STRUTS

ITEM	PART NO.	DESCRIPTION	QTY
1	58240	WLDMT - STEERING ARM	2
2	58285	WLDMT-STEERING HOUSING R.H.	1
3	58238	WLDMT - KING PIN	2
4	1011748	ZERK - GREASE	10
5	1033376	BOLT-HEX: 1.00 X 8.50 NC GR8 ZP	2
6	1016969	NUT-TOPLOCK: 1.00 NC GR5 ZP	4
7	58186	WLDMT-TIE ROD RH	1
8	64143	BAR - BOLTING	6
9	1032276	BOLT-HEX: 1.00 X 3.50 NC GR8 ZP	2
10	57233	WLDMT - MOUNT STANDARD	2
11	52954*	SPINDLE-STANDARD	4
12	58374	WLDMT-TIE ROD EXTENSION	1
13	58341	WLDMT-TIE ROD	1
14	58203	WLDMT-TIE ROD LH	1
15	58239	WLDMT-STEERING HOUSING LH	1
16	53278	MOUNT-INDICATOR	1
17	59492	WLDMT-TIE ROD	1
18	56809	BAR-BOLTING	2
19	58348	INDICATOR LH	1
	68131	INDICATOR RH	
20	64980	ARM-STEERING INDICATOR	1
21	59045	SCRAPER	4
22	1016718	BOLT-HEX: .75 X 6.50 NC GR5 ZP	4
23	1017000	NUT-TOPLOCK: .75 NC GR5 ZP	4
24	64145	BOLT-HEX: 1.13 X 8.00 NC GR8 ZP	12
25	64147	WASHER-LOCK: 1.13 ZP	10
26	64146	NUT-HEX: 1.13 NC GR5 ZP	10
27	1012059	BOLT-HEX: .75 X 3.00 NC GR5 ZP	12
28	1012061	WASHER-LOCK: .75 ZP	12
29	1011620	NUT-HEX: .750 NC	16
30	1011618	BOLT-HEX: .50 X 5.00 NC GR5 ZP	4
31	1027461	NUT-TOPLOCK: .50 NC GR5 ZP	5
32	58123	PLATE	1
33	59493	WLDMT-TIE ROD EXTENSION	1
34	1011610	BOLT-HEX: .50 X 2.50 NC GR5 ZP	1
35	53619*	SEAL	4
36	53621*	BEARING CONE-INNER	4
37	53622*	BEARING CUP-INNER	4
38	53623*	HUB-WHEEL 8 BOLT	4
39	52243*	BEARING CUP-OUTER	4
40	53620*	BEARING CONE-OUTER	4

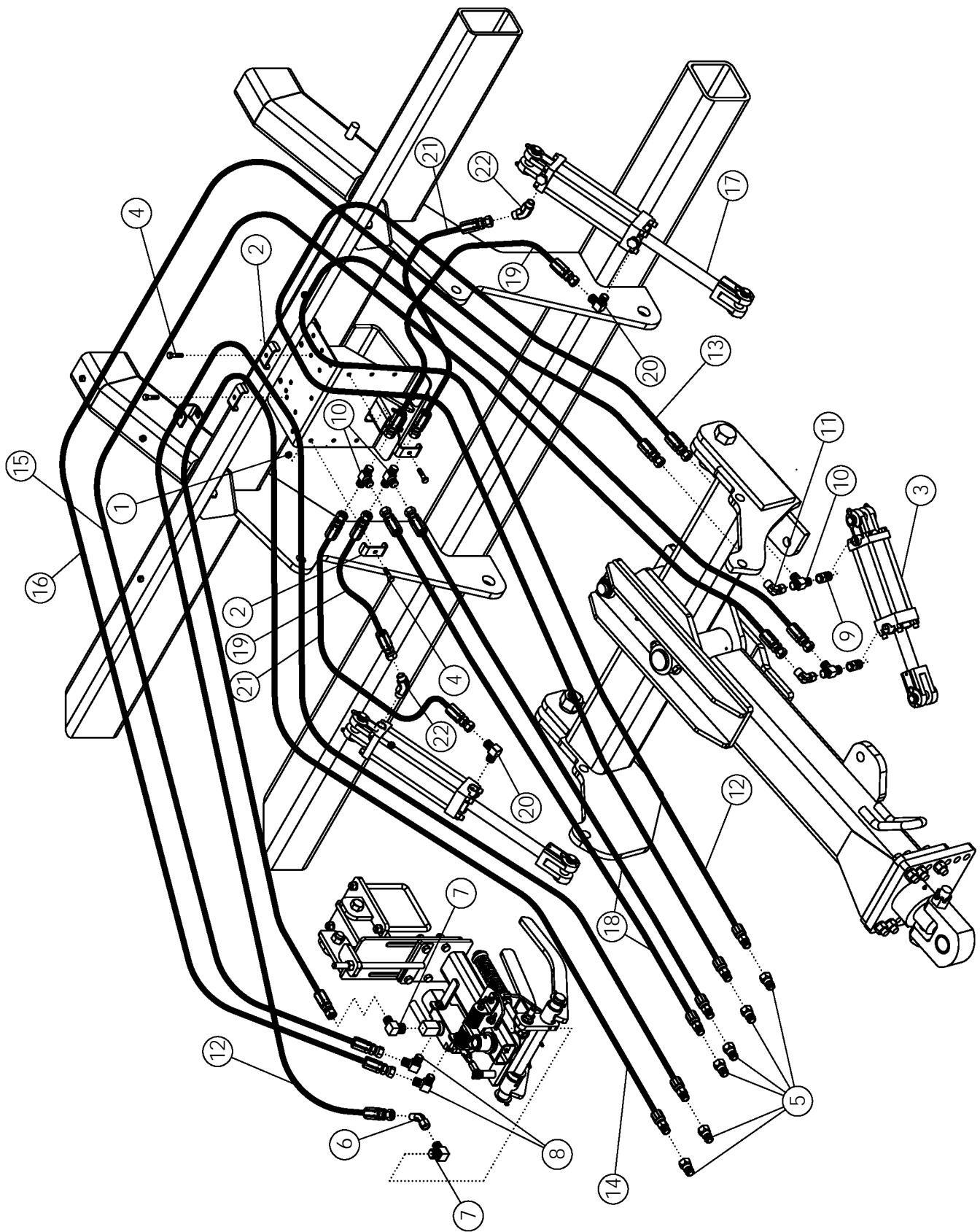
CONTINUED



## STEERABLE REAR STRUTS (CONTINUED)

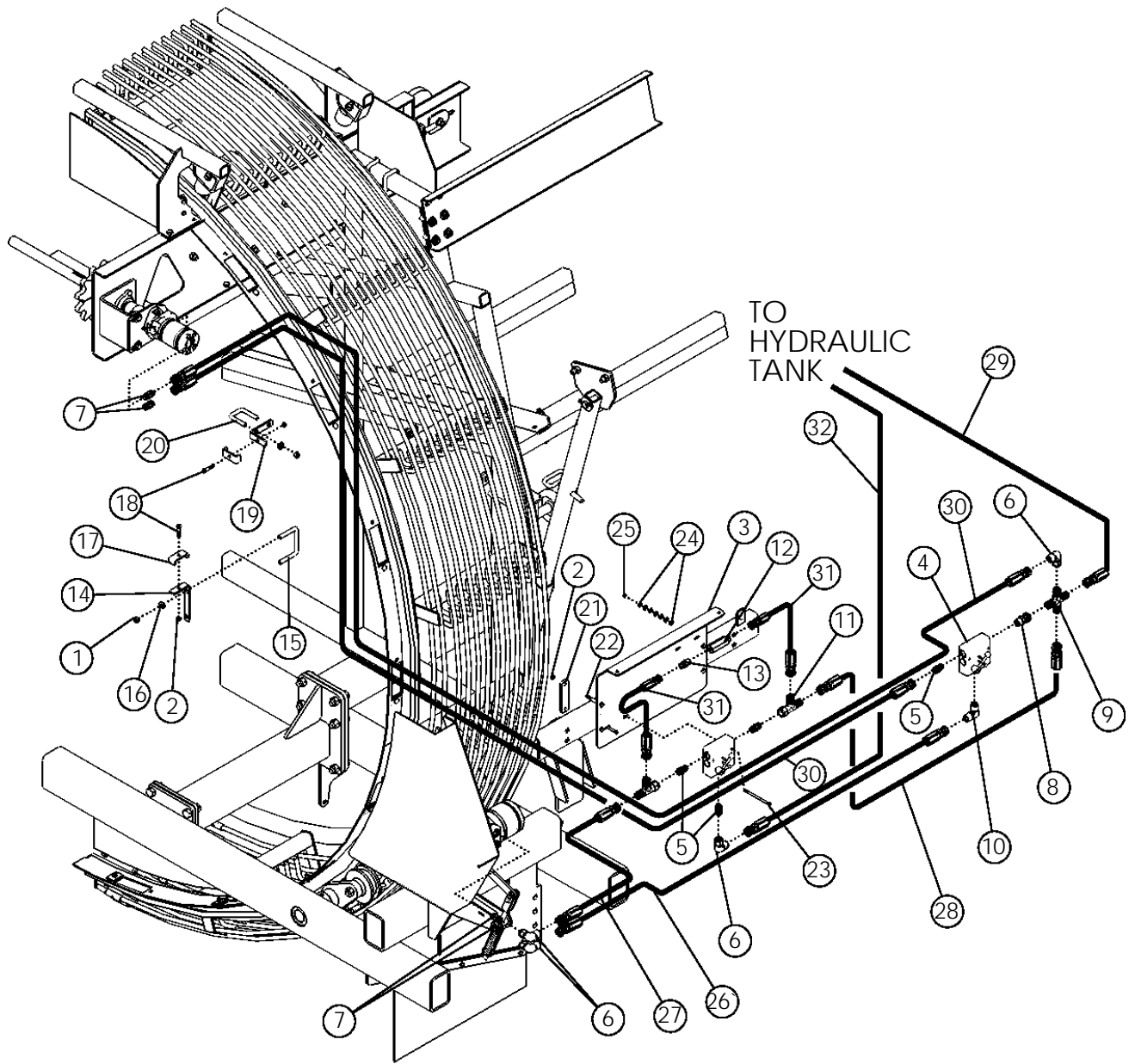
ITEM	PART NO.	DESCRIPTION	QTY
41	53625*	NUT-WHEEL: .63-18NF	32
42	1030726*	NUT-SPINDLE: 1.00 NF NP	4
43	1030728*	WASHER-SPINDLE: 1.06ID X 2.13OD	4
44	1030797*	PIN-COTTER: .19 X 1.75 NP	4
45	53624*	HUB CAP	4
46	56903	WHEEL W10 X 24 8 BOLT (1.875 POS)	4
47	56976	TIRE 11.2-24 10 PLY R1	4
	68973	TUBE-REPAIR 11.2-24 (NOT SHOWN)	AR
48	1030704	BOLT-HEX: .63 X 3.25 NC GR5 ZP	1
49	1011578	NUT-HEX: .63 NC GR2 ZP	1
50	1030729	NUT-HEX: 1.25 NC GR2 ZP LH	1
51	1011621	NUT-HEX: 1.25 NC GR2 ZP	1
52	58350	BALL JOINT ROD END 1/2-20NF RH	1
53	58351	BALL JOINT ROD END 1/2-20NF LH	1
54	1016660	BOLT-HEX: .50 X 5.50 NC GR5 ZP	4
55	1011581	WASHER-LOCK: .50 ZP	4
56	1011577	NUT-HEX: .50 NC GR2 ZP	5
57	56884	BUSHING-INDICATOR REAR STRUT	1
58	1011607	BOLT-HEX: .50 X 1.50 NC GR5 ZP	1
59	58355	NUT-HEX: .50 NF GR5 ZP RH	3
60	58366	NUT-HEX: .50 NF GR5 ZP LH	1
61	58367	BOLT-HEX: .75 X 1.50 NC GR5 ZP	2
62	58890	CYLINDER HYDRAULIC 3 X 8	1
63	58560	FTG-ELBOW: 8MB-8MJ-90	2
64	58194	FTG-ADAPTER: 8MJ-8MJ	2
65	58376	HOSE: .50 X 108 8MP-8FJX	2
66	53631	PIONEER TIP 8010-4	2
67	58377	HOSE: .50 X 172 8FJX-8FJX	1
68	50714	CLAMP 1/2" ZP	1
69	1011586	WASHER-LOCK: .38 ZP	4
70	1011600	BOLT-HEX: .38 X 1.00 NC GR5 ZP	4
71	58368	BOLT-HEX: .75 X 5.00 NC GR5 ZP	2
72	63753	CLAMP-HOSE 3/4" ZP	3
73	59205	BUSHING-BORED 4.5 X 4.025	4
74	58378	HOSE: .50 X 182 8FJX-8FJX	1
75	53167	ASSY-HUB & SPINDLE 8 BOLT	2
76	52248	DECAL CAUTION	1
77	64427	NUT-TOPLOCK: 1.13 GR5 ZP	2

\* Items are included in Item 75



# ROW FINDER AND HITCH HYDRAULICS

ITEM	PART NO.	DESCRIPTION	QTY
1	1016999	NUT-TOPLOCK: .38 NC GR5 ZP	4
2	50714	CLAMP .50 ZP	4
3	58891	CYLINDER-HYDRAULIC 4 X 8" 3000	1
4	1011602	BOLT-HEX: .38 X 1.50 NC GR5 ZP	4
5	53631	PIONEER TIP 8010-4	6
6	57663	FTG-ELBOW: 8MJ-8FJX-45	1
7	57664	FTG-ELBOW: 12MP-8MJ-90	2
8	57665	FTG-ELBOW: 8MP-8MJ-90	2
9	56941	FTG-ADAPTER: 8MB-8FJX	2
10	57667	FTG-TEE: 8MJ-8MJ-8MJ	4
11	57668	FTG-ELBOW: 8MJ-8FJX 90	2
12	57669	HOSE: .50 X 153 8MP-8FJX	2
13	57670	HOSE: .50 X 150 8MP-8FJX	1
14	57671	HOSE: .50 X 163 8MP-8FJX	1
15	57672	HOSE: .50 X 098 8FJX-8FJX	1
16	57673	HOSE: .50 X 096 8FJX-8FJX	1
17	62082	CYLINDER-HYDRAULIC 4 X 10" 3000	2
18	57675	HOSE: .50 X 100 8MP-8FJX	2
19	57676	HOSE: .50 X 031 8FJX-8FJX	2
20	58560	FTG-ELBOW: 8MB-8MJ-90	2
21	57677	HOSE: .50 X 021 8FJX-8FJX	2
22	58515	FTG-ELBOW: 8MB-8MJ-45	2

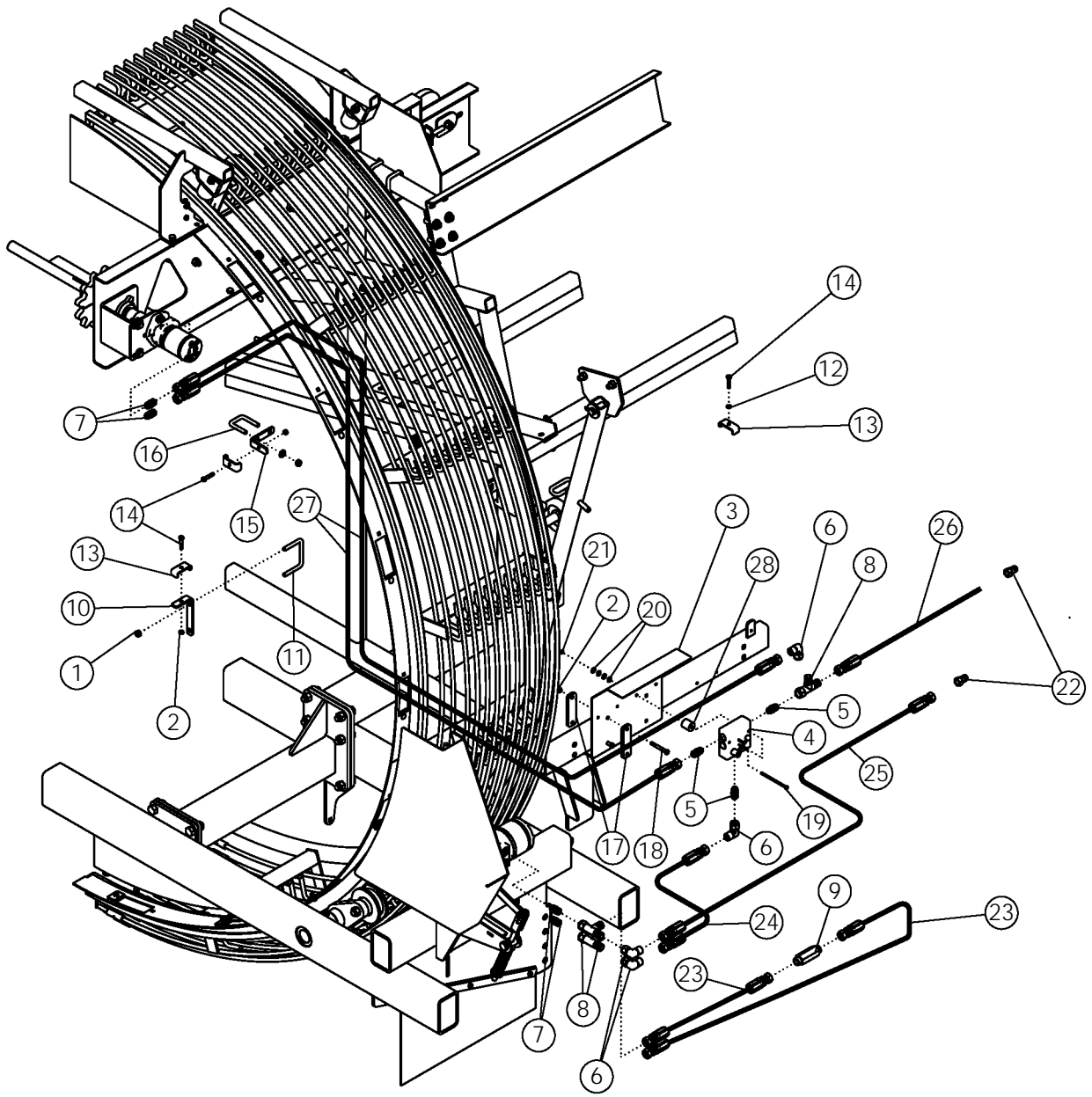




# SELF-CONTAINED HYDRAULIC SYSTEM

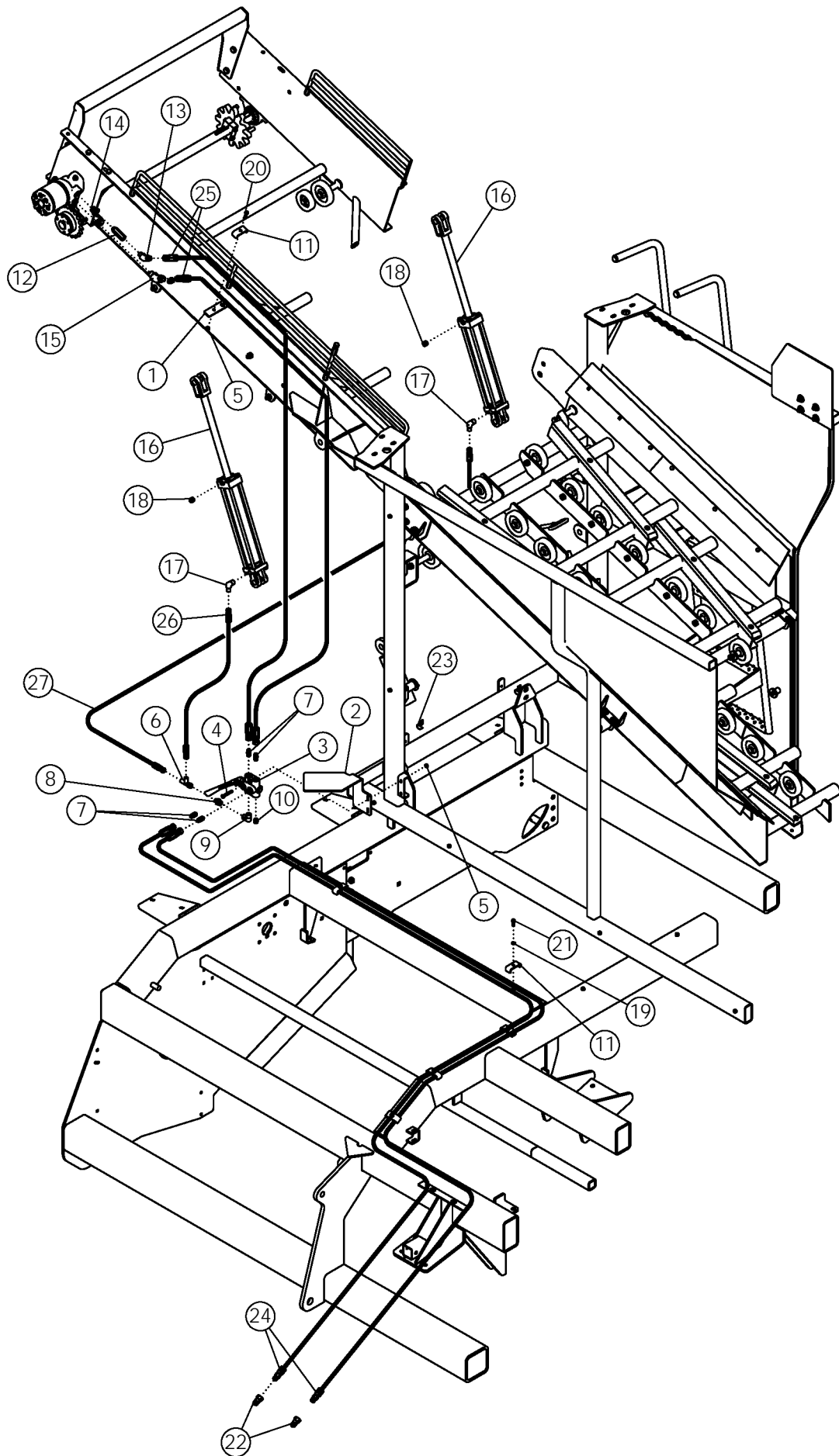
ITEM	PART NO.	DESCRIPTION	QTY
1	1027461	NUT-TOPLOCK: .50 NC GR5 ZP	6
2	1016999	NUT-TOPLOCK : .38 NC GR5 ZP	6
3	59880	BRACKET-FLOW CONTROL	1
4	58985	VALVE-FLOW CONTROL 3/4" FP	2
5	59042	FTG-ADAPTER: 12MP-12MJ	5
6	59041	FTG-ELBOW: 12MJ-12FJX 90	5
7	59043	FTG-ADAPTER: 10MB-12MJ	4
8	63799	FTG-ADAPTER: 12MP-12FJX	1
9	63800	FTG-CROSS: 12MJ	1
10	59044	FTG-ELBOW: 12MP-12MJ 90	2
11	59888	FTG-TEE: 12MJ-12FJX-12MJ	2
12	56230	VALVE-CHECK: 10MJ-10FB	1
13	62019	FTG-ADAPTER: 10MB-10MJ	1
14	59182	BRACKET-HOSE ZP	2
15	54653	U-BOLT: .50 X 3.25 X 4.00 X 3.25	2
16	1011584	WASHER-FLAT: SAE .50 ZP	6
17	50714	CLAMP 1/2" ZP	12
18	1011603	BOLT-HEX: .38 X 1.75 NC GR5 ZP	3
19	59184	BRACKET-HOSE ZP	1
20	53677	U-BOLT: .50 X 3 X 2 X 3	1
21	59881	BRACKET-BOLT PLATE	2
22	1013239	BOLT-HEX: .38 X 3.00 NC GR5 ZP	4
23	59188	BOLT-HEX: .25 X 5.00 NC GR5	4
24	1020416	WASHER-FLAT: .25 ZP	14
25	1030946	NUT-TOPLOCK: .25 NC GR5 ZP	4
26	59071	HOSE: .75 X 60 12FJX-12FJX	2
27	64062	HOSE: .75 X 38 12FJX-12FJX	1
28	63798	HOSE: .75 X 21 12FJX-12FJX	1
29	59892	HOSE: .75 X 208 12FJX-12FJX	1
30	59805	HOSE: .75 X 180 12FJX-12FJX	2
31	62020	HOSE: .50 X 14 10FJX-12FJX	2
32	59891	HOSE: .75 X 224 12FJX-12FJX	1
33	59039*	HOSE: .75 X 113 12FJX-12FJX	1

\* (NOT SHOWN) USED WITH WHEEL CLEANER OPTION



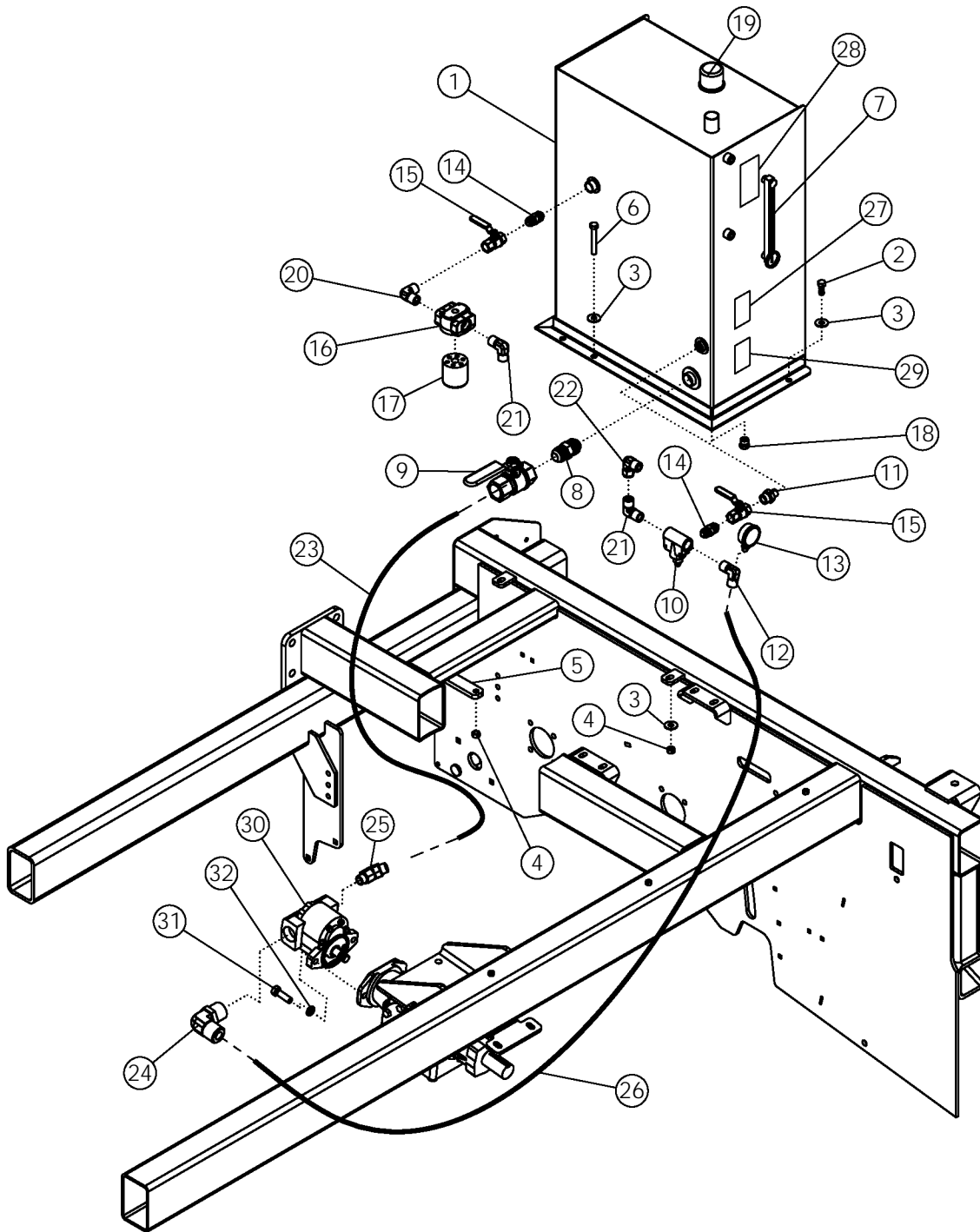
# TRACTOR HYDRAULIC DRIVE

ITEM	PART NO.	DESCRIPTION	QTY
1	1027461	NUT-TOPLOCK: .50 NC GR5 ZP	6
2	1016999	NUT-TOPLOCK : .38 NC GR5 ZP	7
3	69020	BRACKET-FLOW CONTROL SMALL	1
4	58985	VALVE-FLOW CONTROL 3/4" FP	1
5	59042	FTG-ADAPTER: 12MP-12MJ	3
6	59041	FTG-ELBOW: 12MJ-12FJX-90	4
7	59043	FTG-ADAPTER: 10MB-12MJ	4
8	59888	FTG-TEE: 12MJ-12FJX-12MJ	3
9	68179	VALVE-CHECK: 12MJ-12MJ	1
10	59182	BRACKET-HOSE ZP	2
11	54653	U-BOLT: .50 X 3.25 X 4.00 X 3.25	2
12	1011586	WASHER-LOCK: .38 ZP	5
13	63753	CLAMP-HOSE .75 ZP	8
14	1011603	BOLT-HEX: .38 X 2.00 NC GR5 ZP	8
15	59184	BRACKET-HOSE ZP	1
16	65658	U-BOLT: .50 X 3.00 X 2.06 X 3.00	1
17	59881	BRACKET-BOLT PLATE	4
18	58176	BOLT-HEX: .38 X 3.50 NC GR5 ZP	4
19	1030776	BOLT-HEX: .25 X 4.00 NC GR5	2
20	1020416	WASHER-FLAT: .25 ZP	8
21	1030946	NUT-TOPLOCK: .25 NC GR5 ZP	2
22	53631	PIONEER TIP	2
23	68437	HOSE: .50 X 14 12FJX-12FJX	2
24	59071	HOSE: .75 X 60 12FJX-12FJX	1
25	69162	HOSE: .63 X 330 12FJX-8MP	1
26	68151	HOSE: .63 X 264 12FJX-8MP	1
27	59892	HOSE: .75 X 208 12FJX-12FJX	2
28	59463	SPACER ZP	2



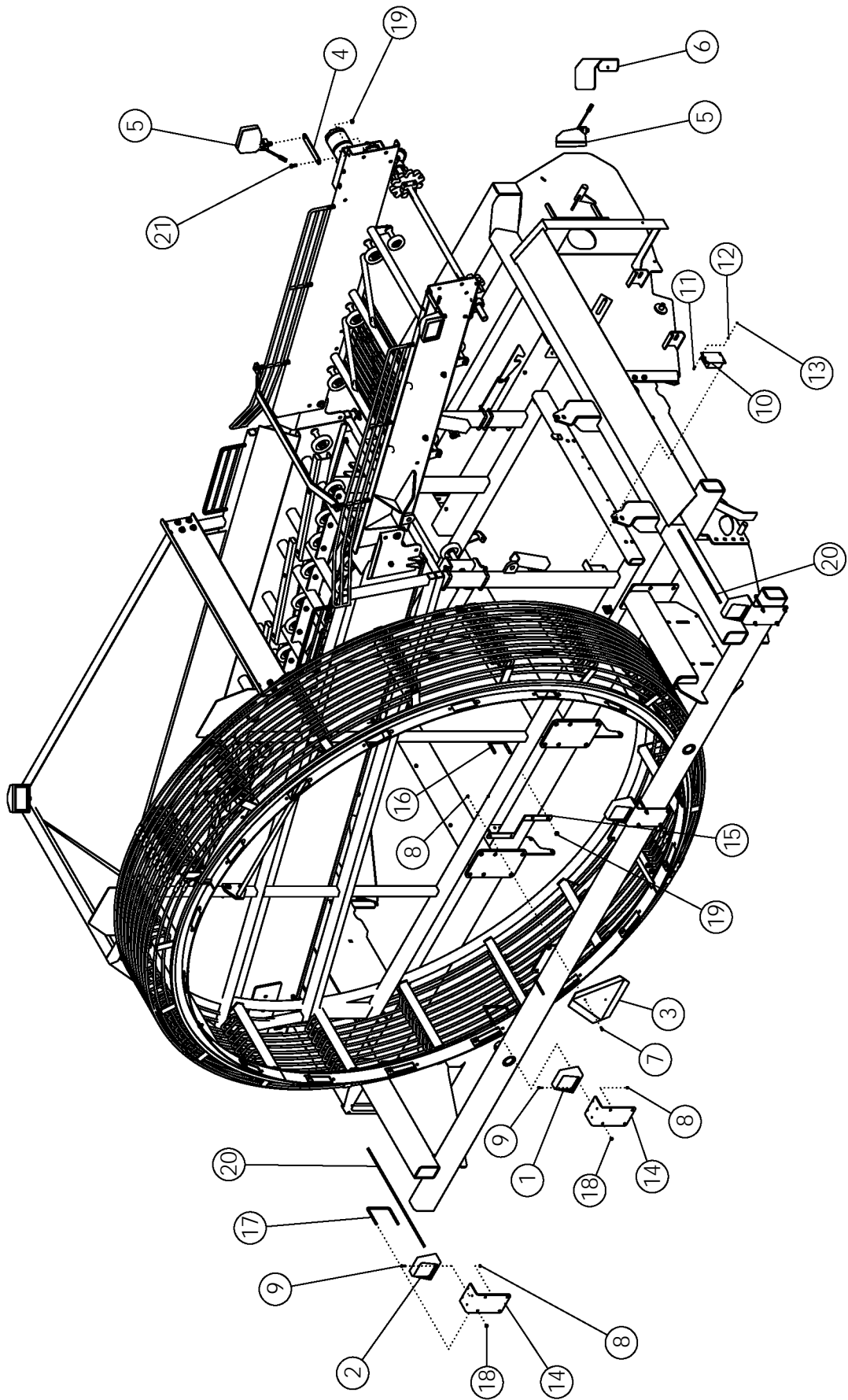
# TANK HYDRAULICS

ITEM	PART NO.	DESCRIPTION	QTY
1	54825	BRACKET-HOSE ZP	2
2	62904	GUARD-SELECTOR VALVE	1
3	58470	VALVE-SELECTOR	1
4	59390	BOLT-HEX: .38 X 2.25 NC GR5 ZP	2
5	1016999	NUT-TOPLOCK: .38 NC GR5 ZP	4
6	56231	FTG-TEE: 6MJ-6FJX-6MJ	1
7	56226	FTG-ADAPTER: 8MB-8MJ	4
8	64307	FITTING-RESTRICTOR (6MJ-8MP R 1/16)	1
9	55733	FTG-ELBOW: 8MB-8FP 90	1
10	56190	FTG-PLUG: 8MB	1
11	50714	CLAMP 1/2" ZP	8
12	53722	VALVE-CHECK: 8MP-8FP	1
13	58288	FTG-ELBOW: 8MP-8MJ-45	1
14	58289	FTG-ADAPTER: 10MB-8FP	1
15	56229	FTG-ELBOW: 10MB-8MJ-45	1
16	58889	CYLINDER-HYD 2.5 X 16	2
17	58557	FTG-ELBOW: 8MB-6MJ 90	2
18	58547	FTG-PLUG: 8MB BREATHER	2
19	1011586	WASHER-LOCK: .38 ZP	6
20	1011602	BOLT-HEX: .38 X 1.50 NC GR5 ZP	2
21	1011600	BOLT-HEX: .38 X 1.00 NC GR5 ZP	6
22	53631	PIONEER TIP 8010-4	2
23	50779	HOSE-CLAMP	2
24	57699	HOSE: .50 X 262 8MP-8FJX	2
25	59889	HOSE: .50 X 161 X 8FJX-8FJX	2
26	58151	HOSE: .38 X 34 X 6FJX-6FJX	1
27	68163	HOSE: .38 X 96 6FJX-6FJX	1



# HYDRAULIC TANK

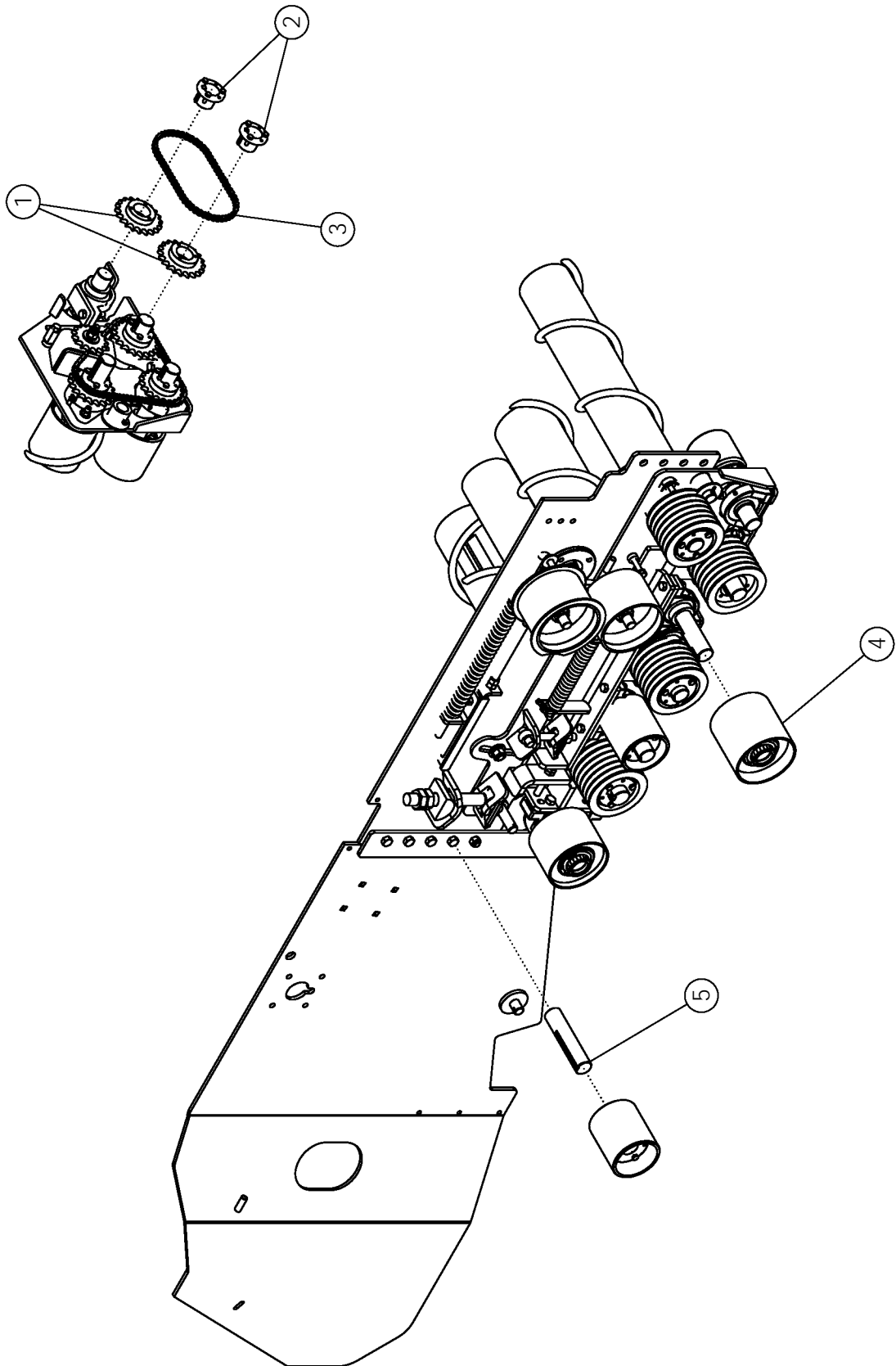
ITEM	PART NO.	DESCRIPTION	QTY
1	58079	HYDRAULIC TANK-PAINTED	1
2	1011606	BOLT-HEX: .50 X 1.25 NC GR5 ZP	2
3	1014443	WASHER-FLAT: .50 ZP	6
4	1027461	NUT-TOPLOCK: .50 NC GR5 ZP	4
5	58204	BAR - BOLTING	1
6	1011612	BOLT-HEX: .50 X 3.50 GR5 ZP	2
7	58914	GAUGE-LEVEL & TEMP	1
8	58978	FTG-ADAPTER: 20MP-20MP	1
9	58979	VALVE-BALL: 20FP-20FP	1
10	64686	VALVE-RELIEF	1
11	58466	FTG-ADAPTER: 12MP-8MP	1
12	58983	FTG-ELBOW: 12MP-12MJ 90 W/.25" FP	1
13	62518	GAUGE-PRESSURE: 1/4"MP 3000 PSI	1
14	58196	FTG-ADAPTER: 12MP-12MP	2
15	59165	VALVE-BALL 3/4FP - 3/4FP	2
16	58690	FILTER HEAD	1
17	58691	FILTER-HYDRAULIC	1
18	55718	FTG-PLUG: 8MB	1
19	58197	CAP-FILLER	1
20	72590	FTG-ELBOW: 12MP-12MP-90	1
21	59044	FTG-ELBOW: 12MP-12MJ 90	2
22	59041	FTG-ELBOW: 12MJ-12FJX 90	1
23	72264	HOSE: 1.25 X 36 20MP-20FJX	1
24	64061	FTG-ELBOW: 16MB-12MJ-90	1
25	72559	FTG-ELBOW: 20MB-20MJ-45	1
26	59802	HOSE: .75 X 52 12FJX-12FJX	1
27	62964	DECAL-WARNING	1
28	64428	DECAL-HYD TANK SPECS	1
29	64429	DECAL-WARNING BALL VALVE	1
30	72293	PUMP - 5.1^3 SAE C	1
31	1011623	BOLT-HEX: .63 X 2.00 NC GR5 ZP	2
32	1011813	WASHER-LOCK: .63 ZP	2





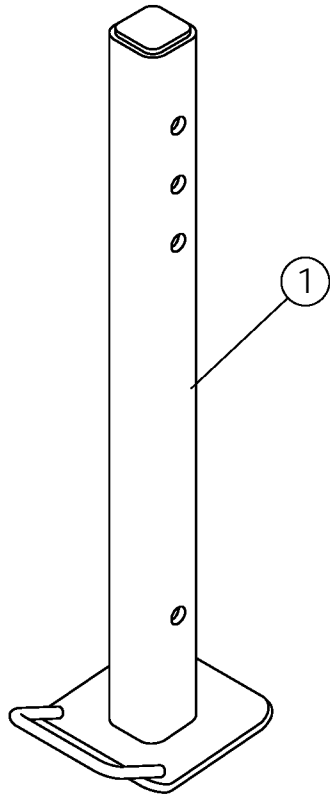
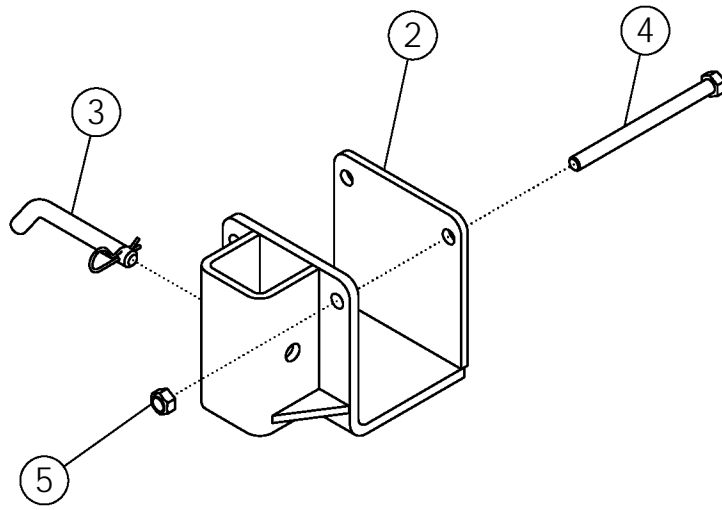
## LIGHT KIT #64365

ITEM	PART NO.	DESCRIPTION	QTY
1	65953	LAMP-RED TAIL	2
2	65954	LAMP-AMBER TAIL	2
3	65329	SIGN-SMV ASAE	1
4	57168	LIGHT BRACKET	2
5	62900	ASSY - LIGHT FLOOD W/CON	4
6	62894	GUARD-GRABROLL LIGHT	1
7	1011595	BOLT-HEX	2
8	1030946	NUT-TOPLOCK: .25 NC GR5 ZP	18
9	1013423	BOLT-HEX: .25 X 1.00 NC GR5 ZP	16
10	65341	MODULE-INTERFACE	1
11	0100615	BOLT: .19 X .75 NC GR5 ZP	4
12	65681	WASHER-LOCK: .19 ZP	4
13	1011588	NUT-HEX: .19 NC GR2 ZP	4
14	64363	BRACKET-LIGHT WHEEL HRV	4
15	64366	MOUNT-SMV SIGN	1
16	54653	U-BOLT: .50 X 3.25 X 4.00 X 3.25	1
17	64364	U-BOLT: .38 X 5.13 X 6.00 X 5.13	8
18	1016999	NUT-TOPLOCK .38 NC GR5 ZP	16
19	1027461	NUT-TOPLOCK: .50 NC GR5 ZP	4
20	64077	HARNESS-EXTENSION 32"	2
21	1011606	BOLT-HEX: .50 X 1.25 NC GR5 ZP	2
22	1013122	TIE-CABLE, NYLON 14.00" (NOT SHOWN)	40
23	64283	HARNESS-HARVESTER (NOT SHOWN)	1



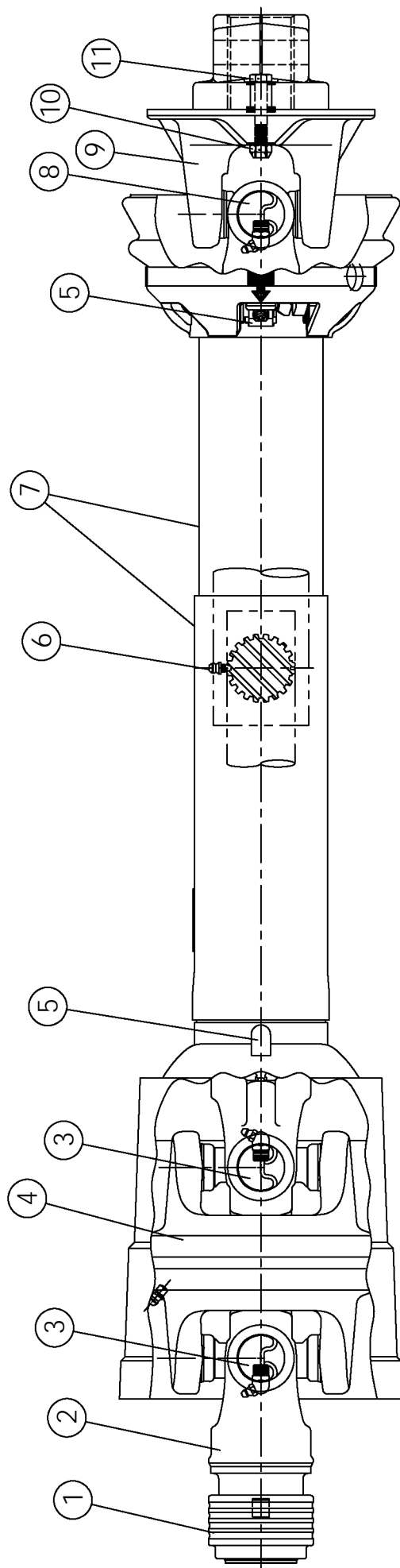
## REVERSE #4 CLEANING ROLL #62111 (OPTIONAL)

ITEM	PART NO.	DESCRIPTION	QTY
1	53649	SPROCKET H60-P20	2
2	53641	HUB P1 1.75 (WITH KEY)	2
3	62110	CHAIN-ROLLER 60H-1R-045	1
4	56409	ASSY-IDLER PULLEY 8R	1
5	62108	SHAFT-STUB REVERSE #4	1



## HARVESTER STAND #63397 (OPTIONAL)

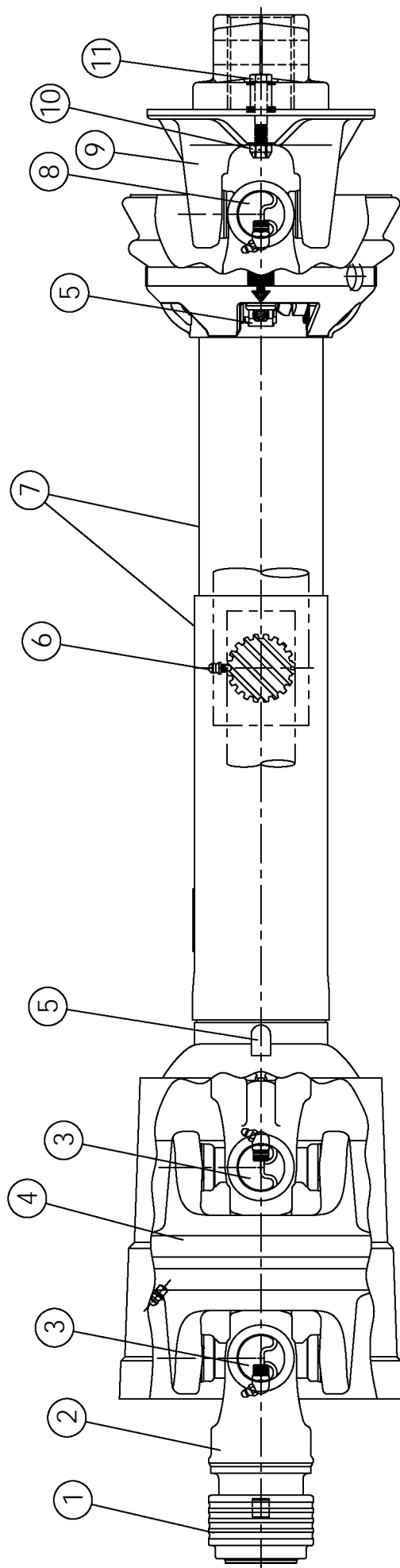
ITEM	PART NO.	DESCRIPTION	QTY
1	63382	WLDMT-STAND SUPPORT	1
2	63377	WLDMT-STAND MOUNT	1
3	63407	PIN-BENT	1
4	1018957	BOLT-HEX: .63 X 8.00 NC GR5 ZP	2
5	1016595	NUT-TOPLOCK: .63 NC GR5 ZP	2



# PTO DRIVELINE #51481

## 1.75" - 20 SPLINE

ITEM	PART NO.	DESCRIPTION	QTY
1	62123	SAFETY SLIDE LOCK REPAIR KIT	1
2	54157	SAFETY SLIDE LOCK YOKE ASSEMBLY	1
3	54159	CAT 5 CROSS & BEARING KIT	2
4	64411	CV CENTER HOUSING ASSEMBLY	1
5	64398	NYLON REPAIR KIT	2
6	54161	ZERK-GREASE STRAIGHT	4
7	64412	FULL GUARD SET W/NYLON BEARINGS	1
8	54172	35R CROSS & BEARING KIT	1
9	57286	BALL SHEAR ASSEMBLY	1
10	1030700	NUT-TOPLOCK: .31 NC GR5 ZP	1
11	1011285	BOLT-HEX: .31 X2.00 NC GR5 ZP	1

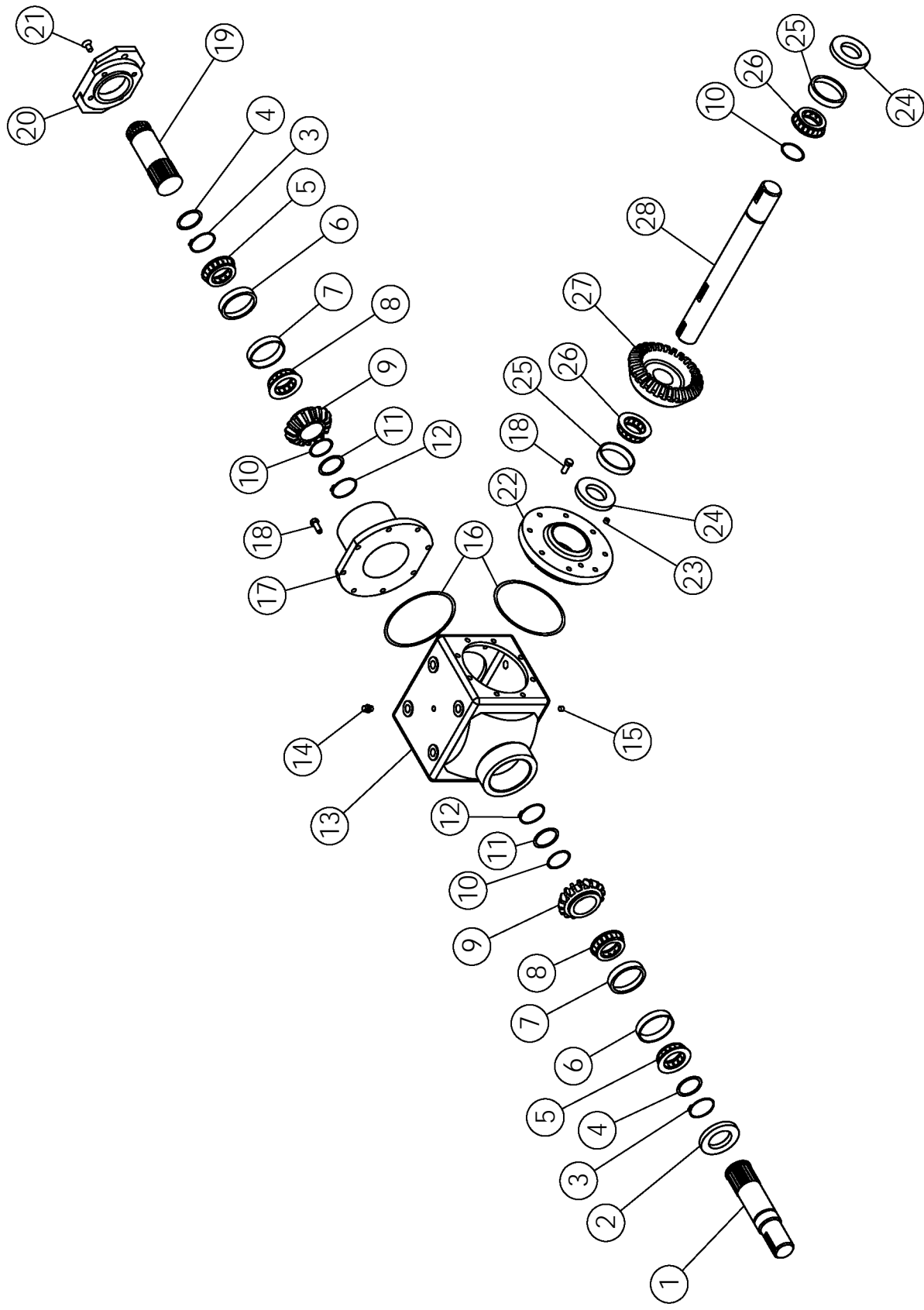




# PTO DRIVELINE #51480

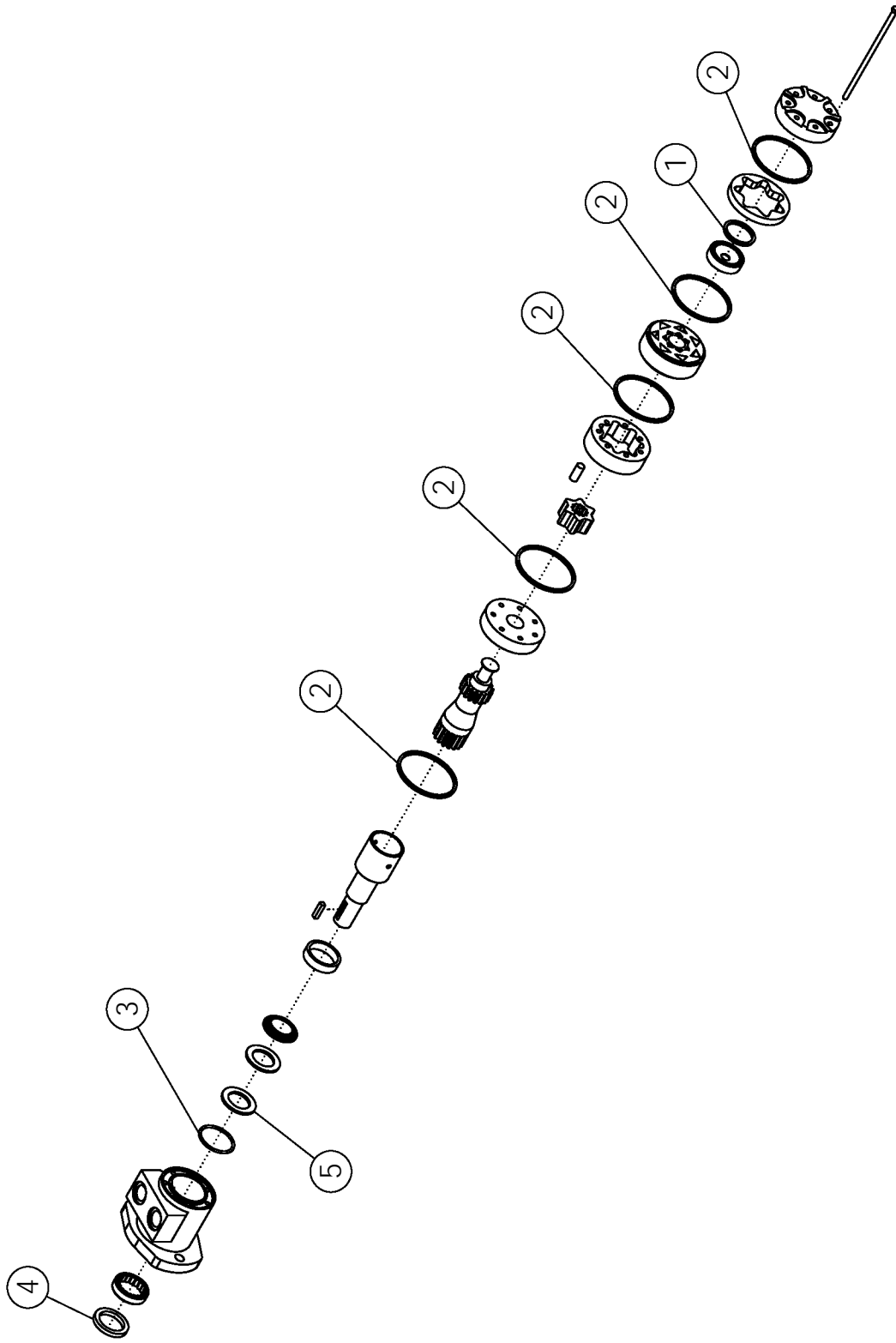
## 1.38" - 21 SPLINE

ITEM	PART NO.	DESCRIPTION	QTY
1	55187	SAFETY SLIDE LOCK REPAIR KIT	1
2	54156	SAFETY SLIDE LOCK YOKE ASSEMBLY	1
3	54159	CAT 5 CROSS & BEARING KIT	2
4	64411	CV CENTER HOUSING ASSEMBLY	1
5	64398	NYLON REPAIR KIT	2
6	54161	ZERK-GREASE STRAIGHT	4
7	64412	FULL GUARD SET W/NYLON BEARINGS	1
8	54172	35R CROSS & BEARING KIT	1
9	57286	BALL SHEAR ASSEMBLY	1
10	1030700	NUT-TOPLOCK: .31 NC GR5 ZP	1
11	1011285	BOLT-HEX: .31 X 2.00 NC GR5 ZP	1



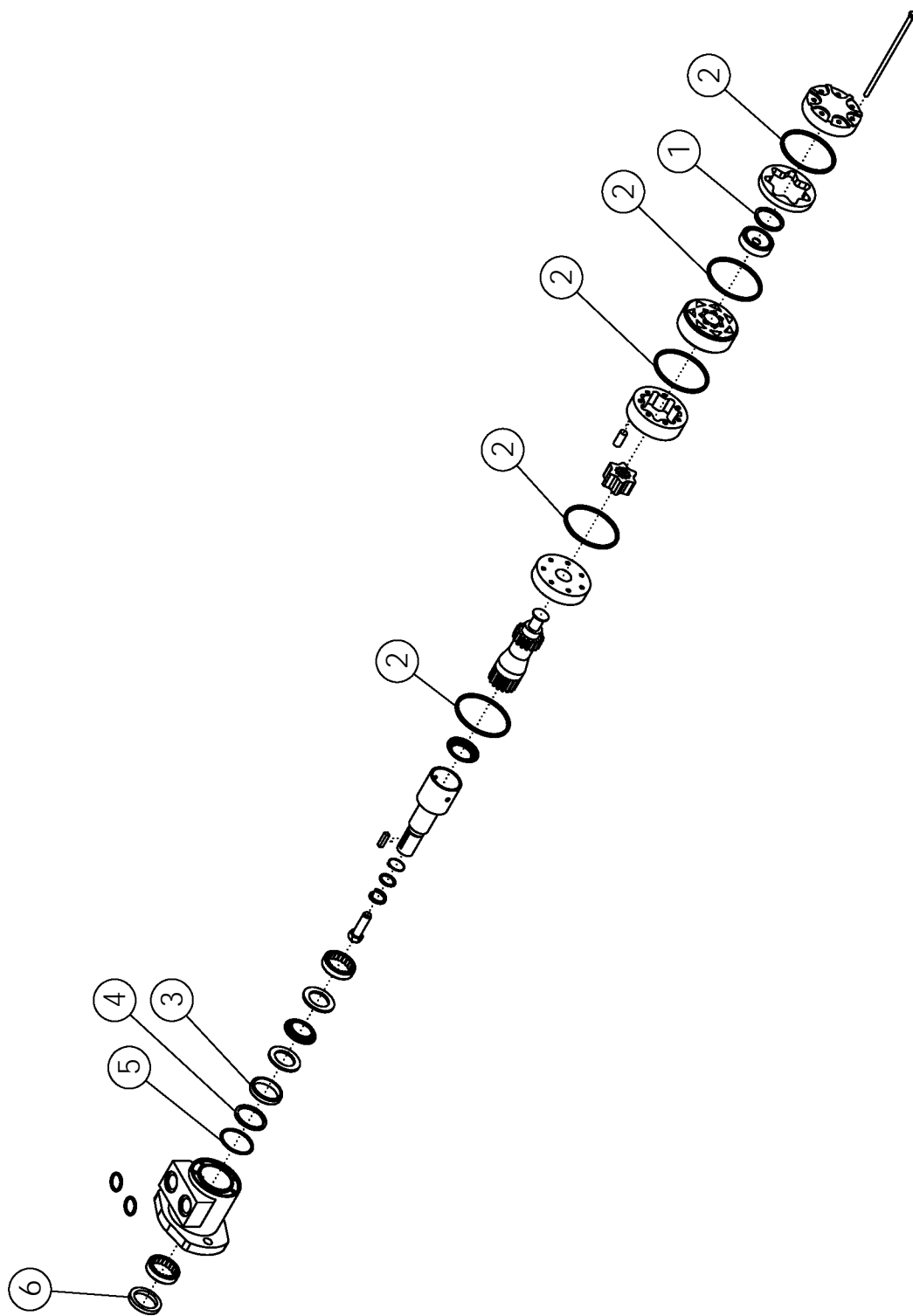
## GEARBOX (1.81:1) #62396 (PRIMARY: ONBOARD OPTION)

ITEM	PART NO.	DESCRIPTION	QTY
1	62721	QUILL SHAFT	1
2	62722	SEAL: 2.00 - 3.26	1
3	62724	SNAP RING	2
4	62723	WASHER 2.00 X .13	2
5	62725	BEARING CONE	2
6	62726	BEARING CUP	2
7	62727	BEARING CUP	2
8	62728	BEARING CONE	2
9	62729	PINION-16 TOOTH	2
10	62730	SHIM: 1.75 X .007	3
11	62731	WASHER 1.75 X .179	2
12	62732	SNAP RING	2
13	62733	CASE-900 SERIES	1
14	64408	VENT PLUG: .50 NPT (SQ. HD.)	1
15	62735	PLUG: .50 NPT	1
16	62736	SHIM-COVER	2
17	62737	QUILL HOUSING	1
18	62738	BOLT-HEX: .38 X 1.00 NC GR5 NP	16
19	62739	QUILL SHAFT	1
20	62740	FLANGE: 'SAE B' -2.00 BOLT	1
21	62741	SFHCS: .38 X .75 NC GR5	4
22	62742	COVER-OPEN .38 NPT	1
23	62743	PLUG: .38 NPT	1
24	62744	OIL SEAL: 1.75 X .31	2
25	62745	BEARING CUP	2
26	62746	BEARING CONE	2
27	64410	GEAR-29 TOOTH	1
28	64409	THRU SHAFT	1



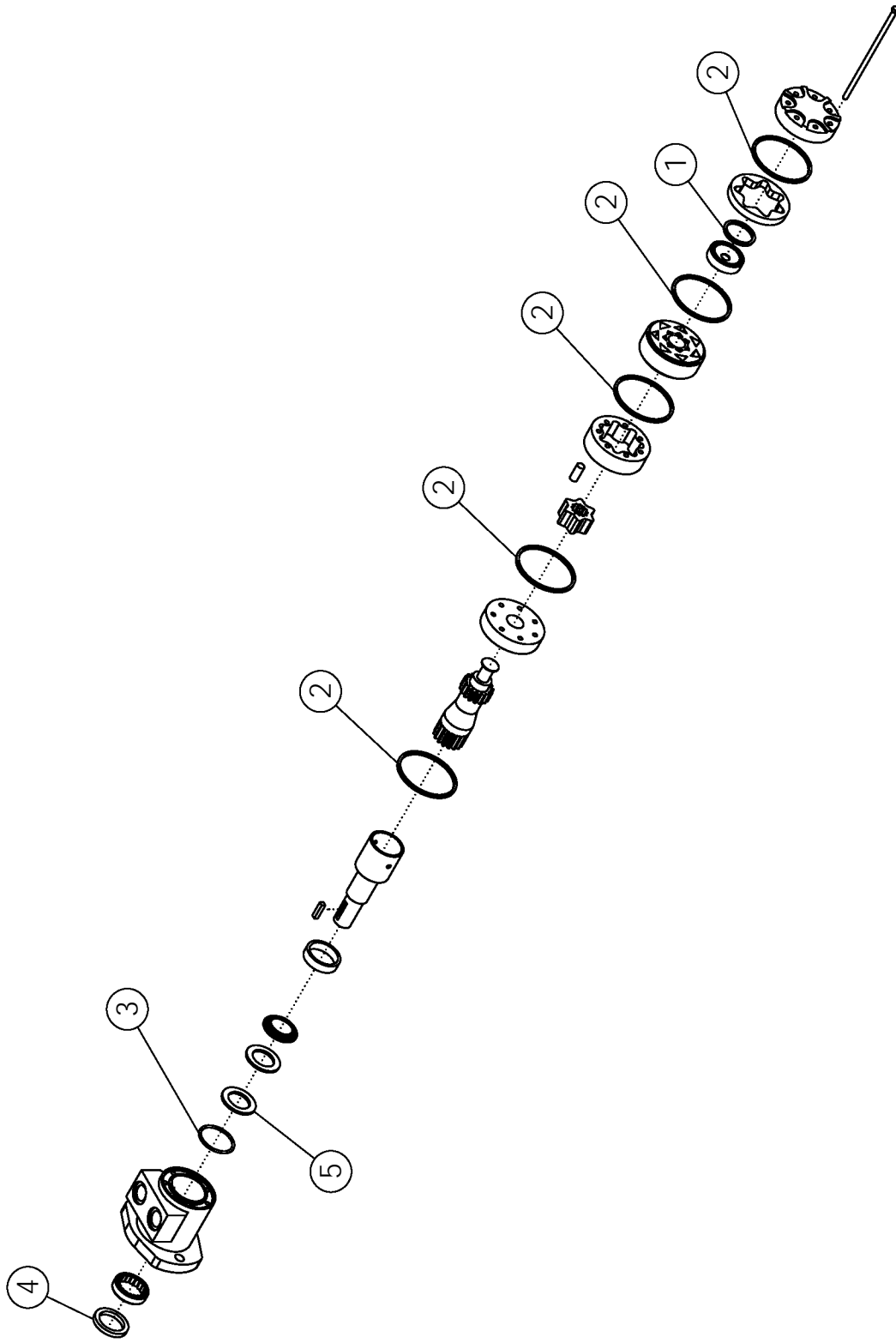
# MOTOR: 13.9 in<sup>3</sup> #57687

ITEM	PART NO.	DESCRIPTION	QTY
	57881	SEAL KIT	
1		COMMUTATOR SEAL	1
2		SEAL RING	5
3		BACKUP WASHER	1
4		DIRT & WATER SEAL	1
5		INNER SEAL	1



# MOTOR: 32.3 IN<sup>3</sup> #57686

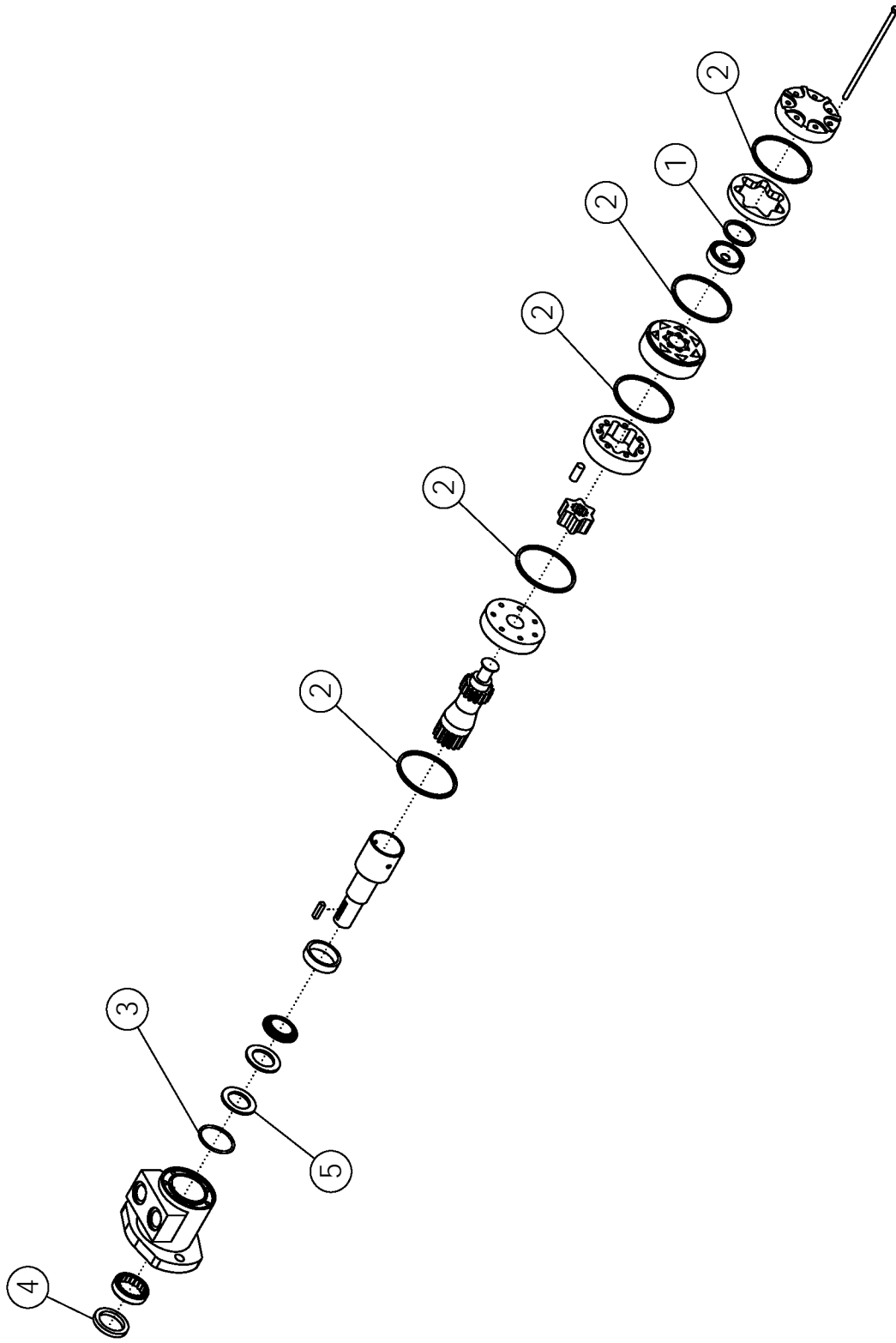
ITEM	PART NO.	DESCRIPTION	QTY
	<b>57880</b>	<b>SEAL KIT</b>	
1		COMMUTATOR SEAL	1
2		SEAL RING	5
3		INNER SEAL	1
4		BACKUP WASHER	1
5		BACKUP WASHER	1
6		DIRT & WATER SEAL	1





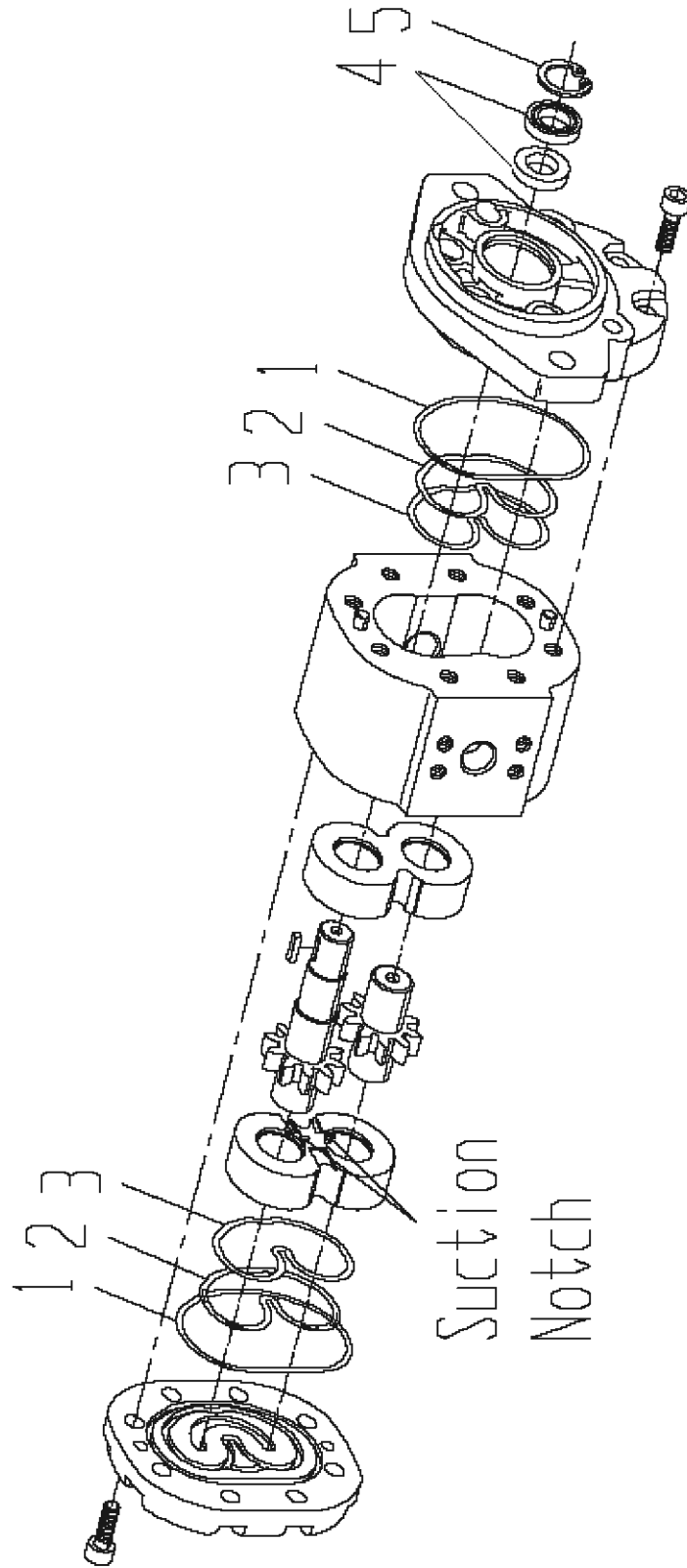
# MOTOR: 6 in<sup>3</sup> #59674

ITEM	PART NO.	DESCRIPTION	QTY
	57881	SEAL KIT	
1		COMMUTATOR SEAL	1
2		SEAL RING	5
3		BACKUP WASHER	1
4		DIRT & WATER SEAL	1
5		INNER SEAL	1



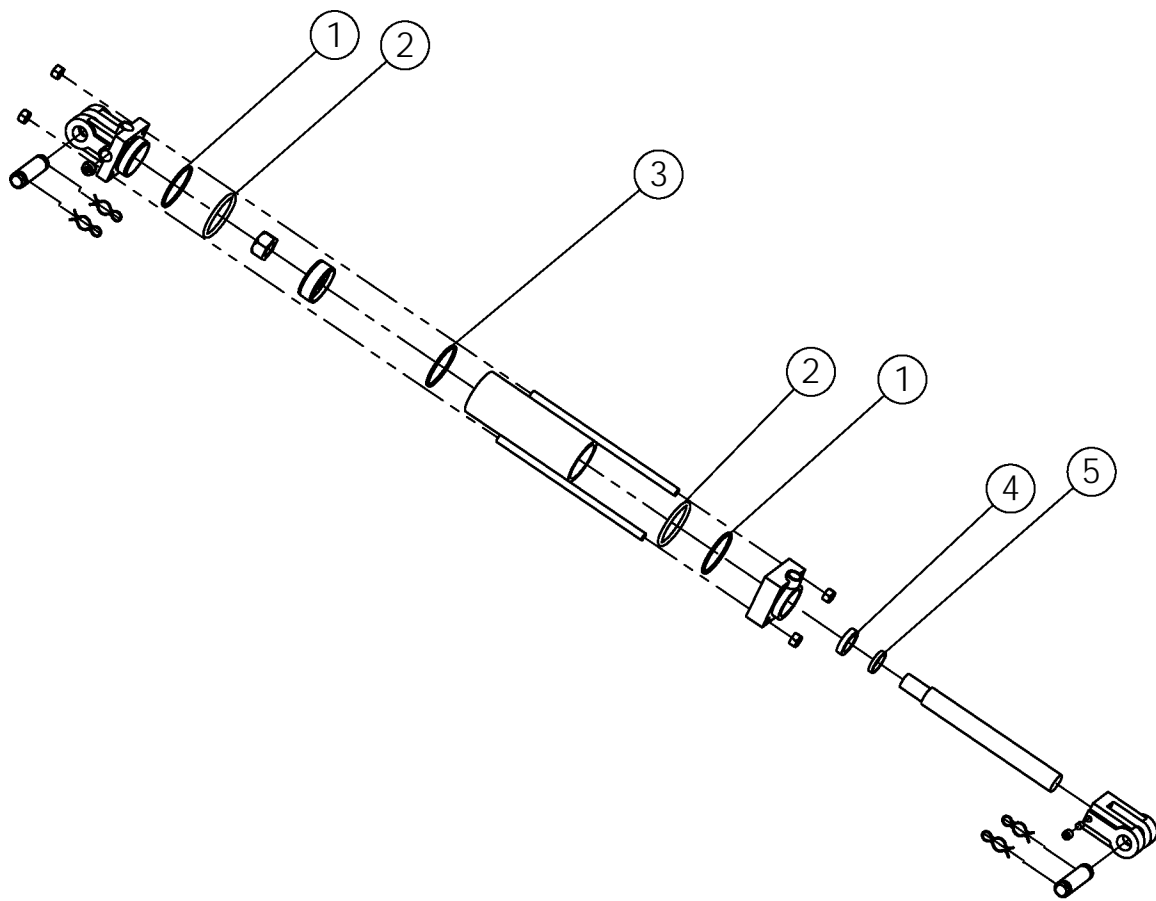
# MOTOR: 20 in<sup>3</sup> #59449

ITEM	PART NO.	DESCRIPTION	QTY
	57881	SEAL KIT	
1		COMMUTATOR SEAL	1
2		SEAL RING	5
3		BACKUP WASHER	1
4		DIRT & WATER SEAL	1
5		INNER SEAL	1



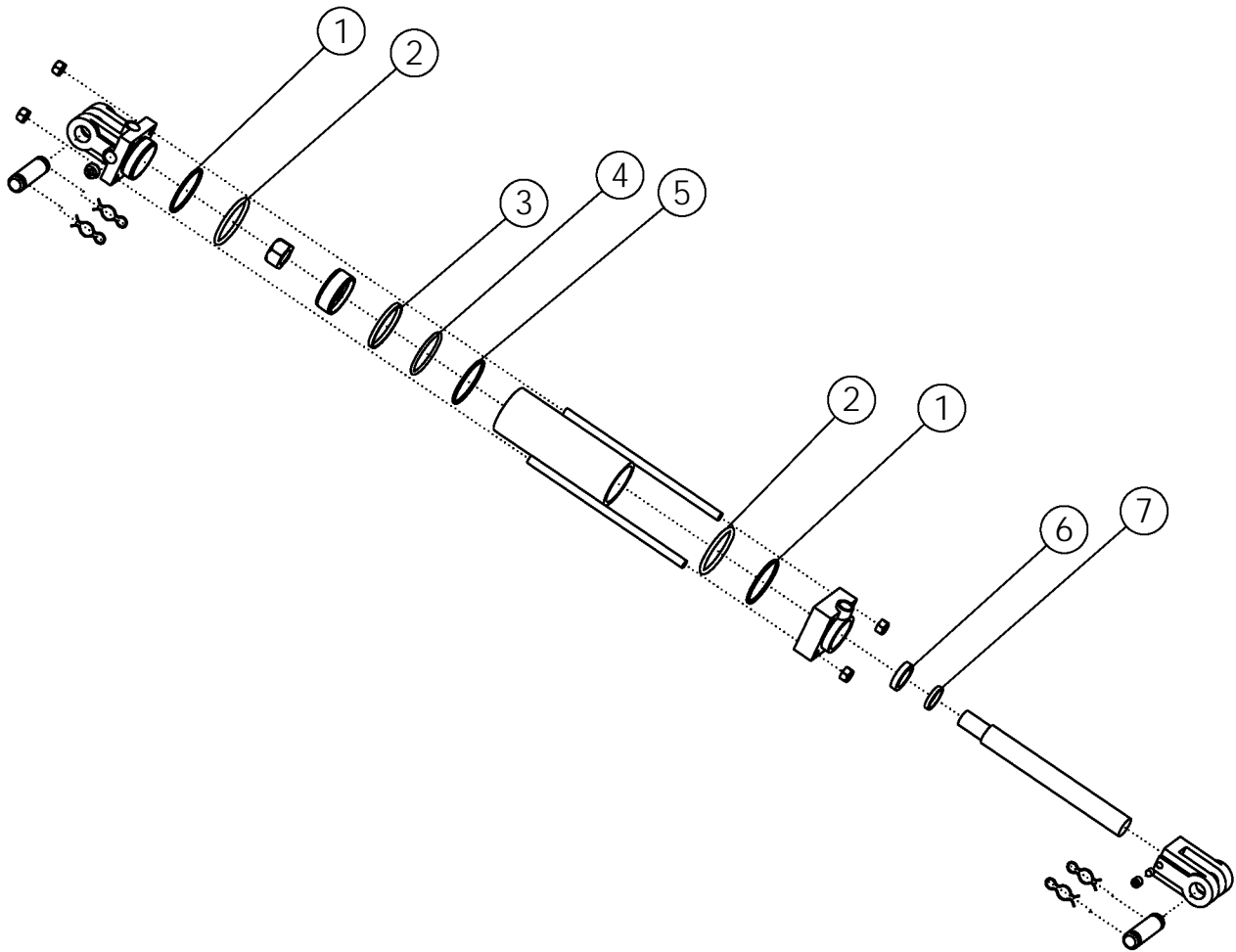
# HYDRAULIC PUMP #62153

ITEM	PART NO.	DESCRIPTION	QTY
	59761	KIT-SEAL: PUMP PZG3A	
1		BODY O-RING	
		LOADING O-RING	2
2		LOADING O-RING BACK-UP	2
3		SHAFT SEAL	2
4		SNAP RING	2
5			1



# HYDRAULIC CYLINDER: 2.5X16 #58889

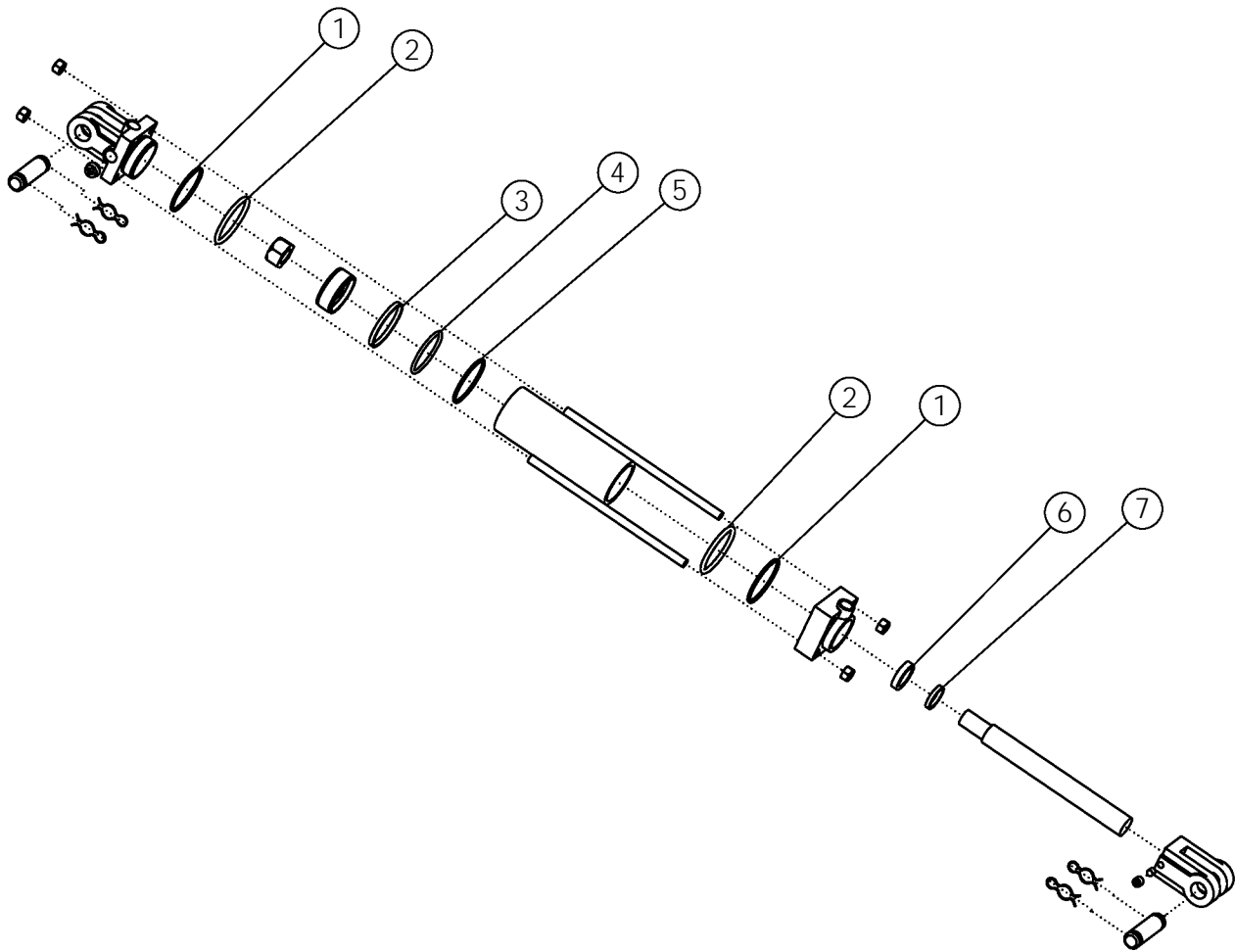
ITEM	PART NO.	DESCRIPTION	QTY
	59242	SEAL KIT - CYLINDER 2.5"; 3000 PSI	
1		BACKUP WASHER - END CAP	2
2		O-RING - END CAP	2
3		PISTON SEAL	1
4		ROD SEAL	1
5		ROD DUST SEAL	1





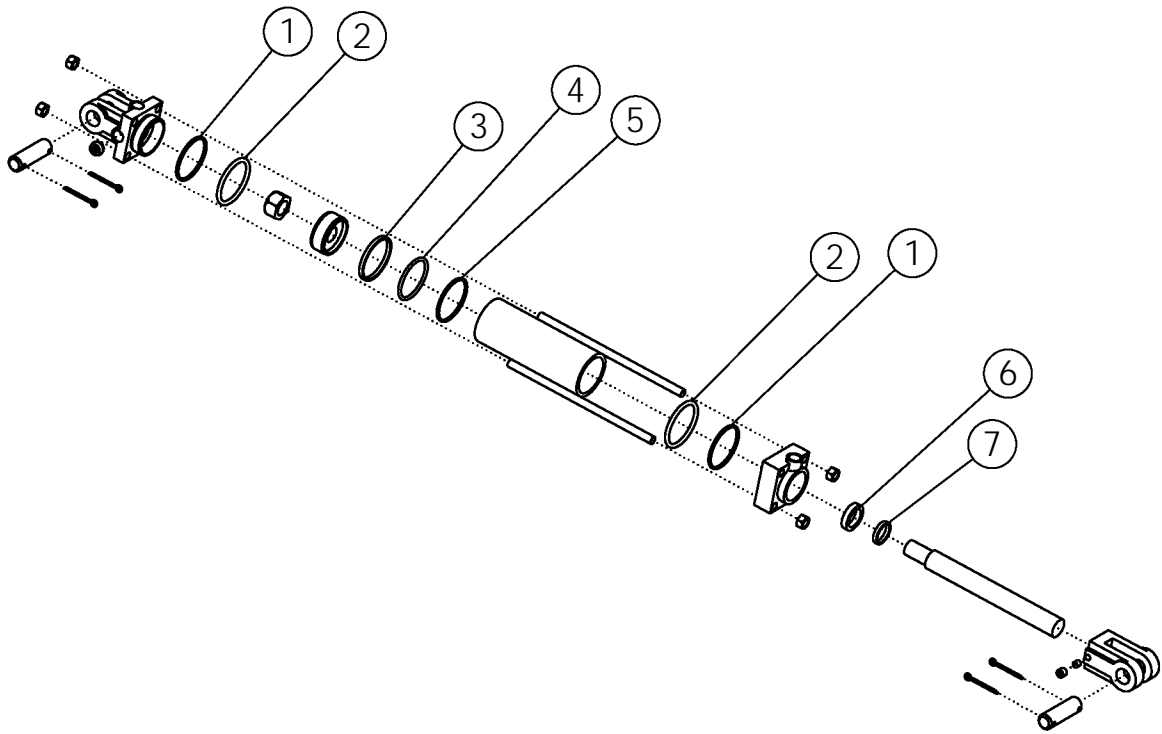
# HYDRAULIC CYLINDER: 3X8 #58890

ITEM	PART NO.	DESCRIPTION	QTY
	<b>59243</b>	<b>SEAL KIT - CYLINDER 3"; 3000 PSI</b>	
1		BACKUP WASHER - END CAP	2
2		O-RING END CAP	2
3		WEAR RING - PISTON	1
4		O-RING	1
5		PISTON SEAL	1
6		SEAL-ROD WIPER	1
7		SEAL-ROD DUST	1



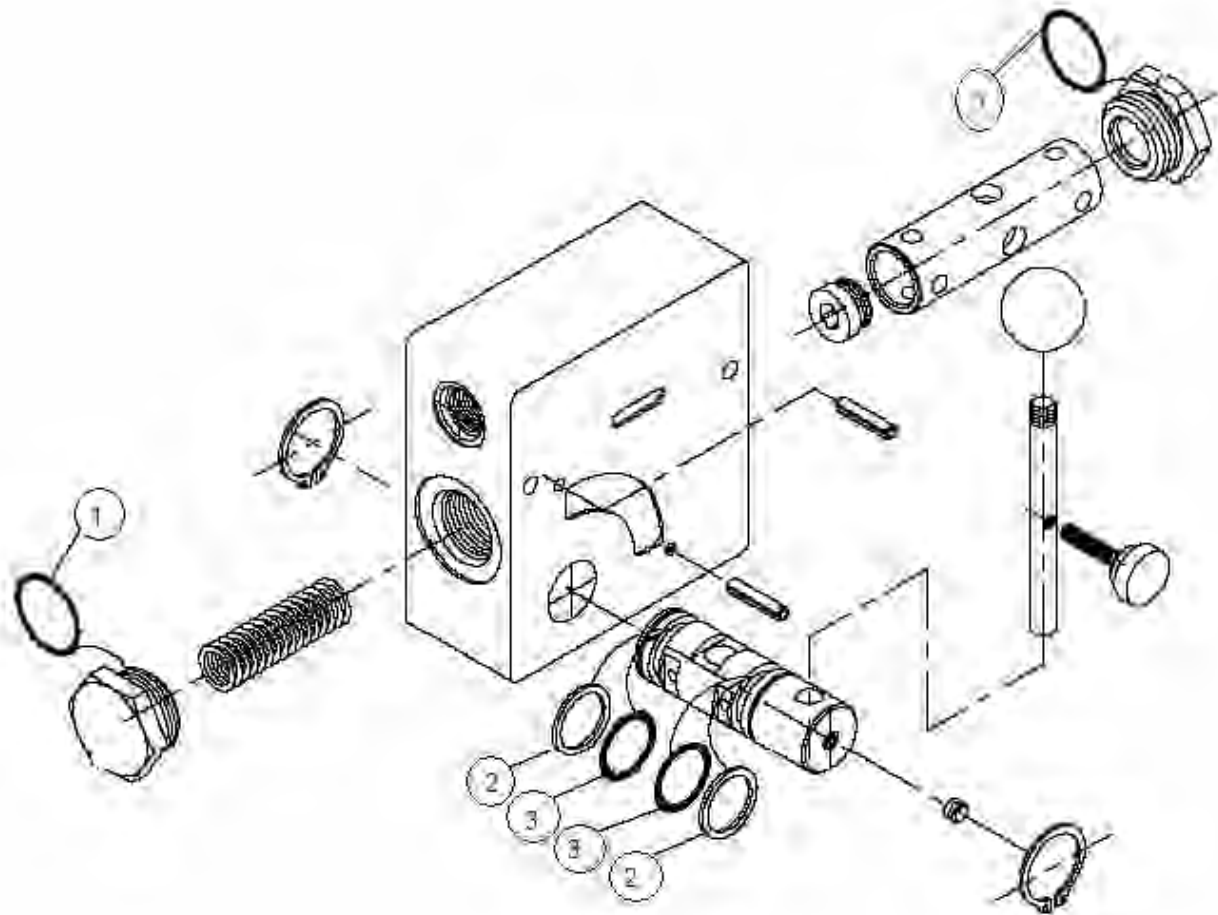
# HYDRAULIC CYLINDER: 4X8 #58891

ITEM	PART NO.	DESCRIPTION	QTY
	59244	SEAL KIT - CYLINDER 4"; 3000 PSI	
1		BACKUP WASHER-END CAP	2
2		O-RING-END CAP	2
3		WEAR RING-PISTON	1
4		O-RING	1
5		PISTON SEAL	1
6		SEAL-ROD WIPER	1
7		SEAL-ROD DUST	1



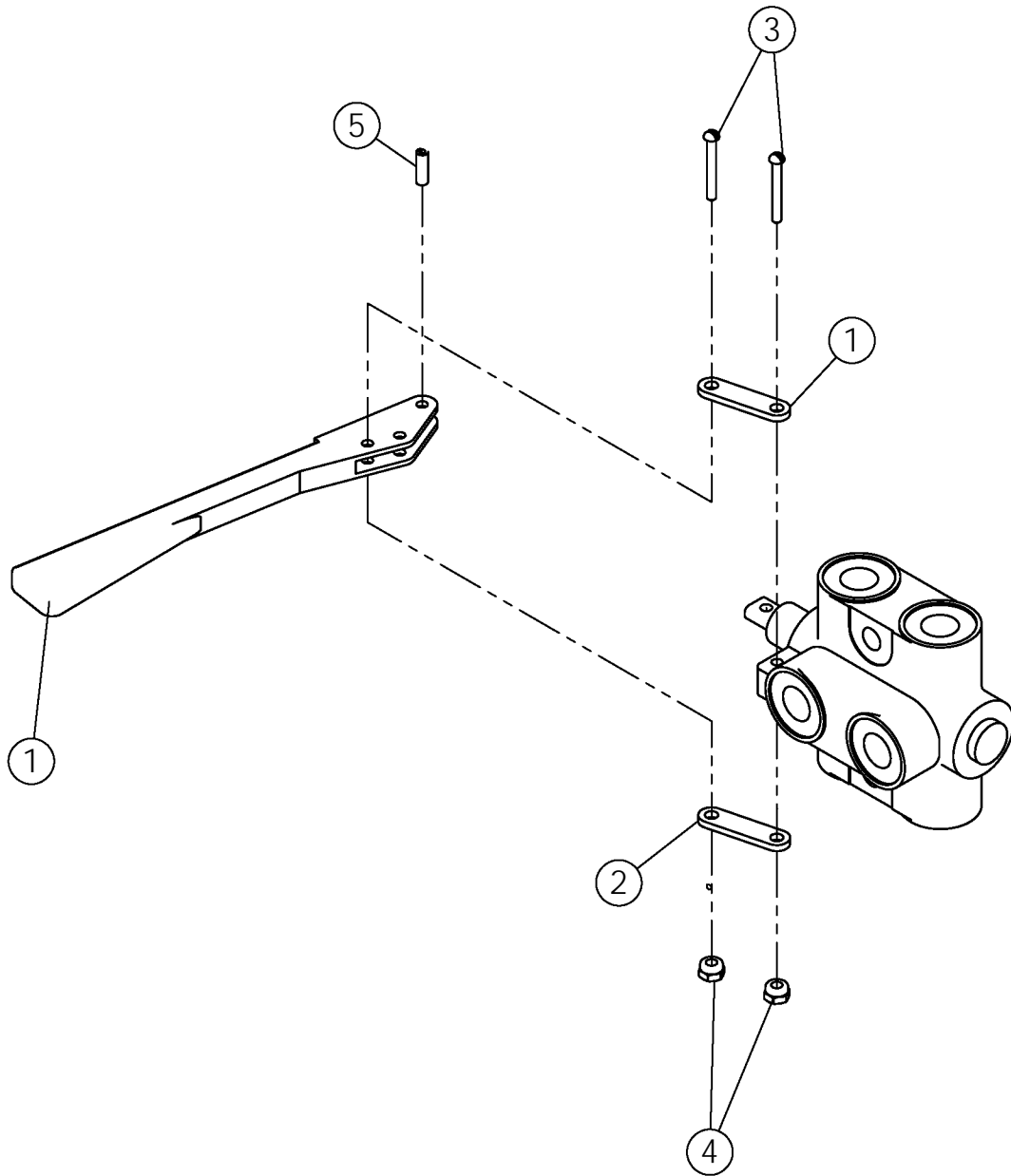
# HYDRAULIC CYLINDER: 4X10 #62082

ITEM	PART NO.	DESCRIPTION	QTY
	<b>59244</b>	<b>SEAL KIT - CYLINDER 4"; 3000 PSI</b>	
1		BACKUP WASHER - END CAP	2
2		O-RING - END CAP	2
3		WEAR RING	1
4		O-RING	1
5		PISTON SEAL	1
6		SEAL-ROD WIPER	1
7		SEAL-ROD DUST	1



# FLOW CONTROL VALVE #58985

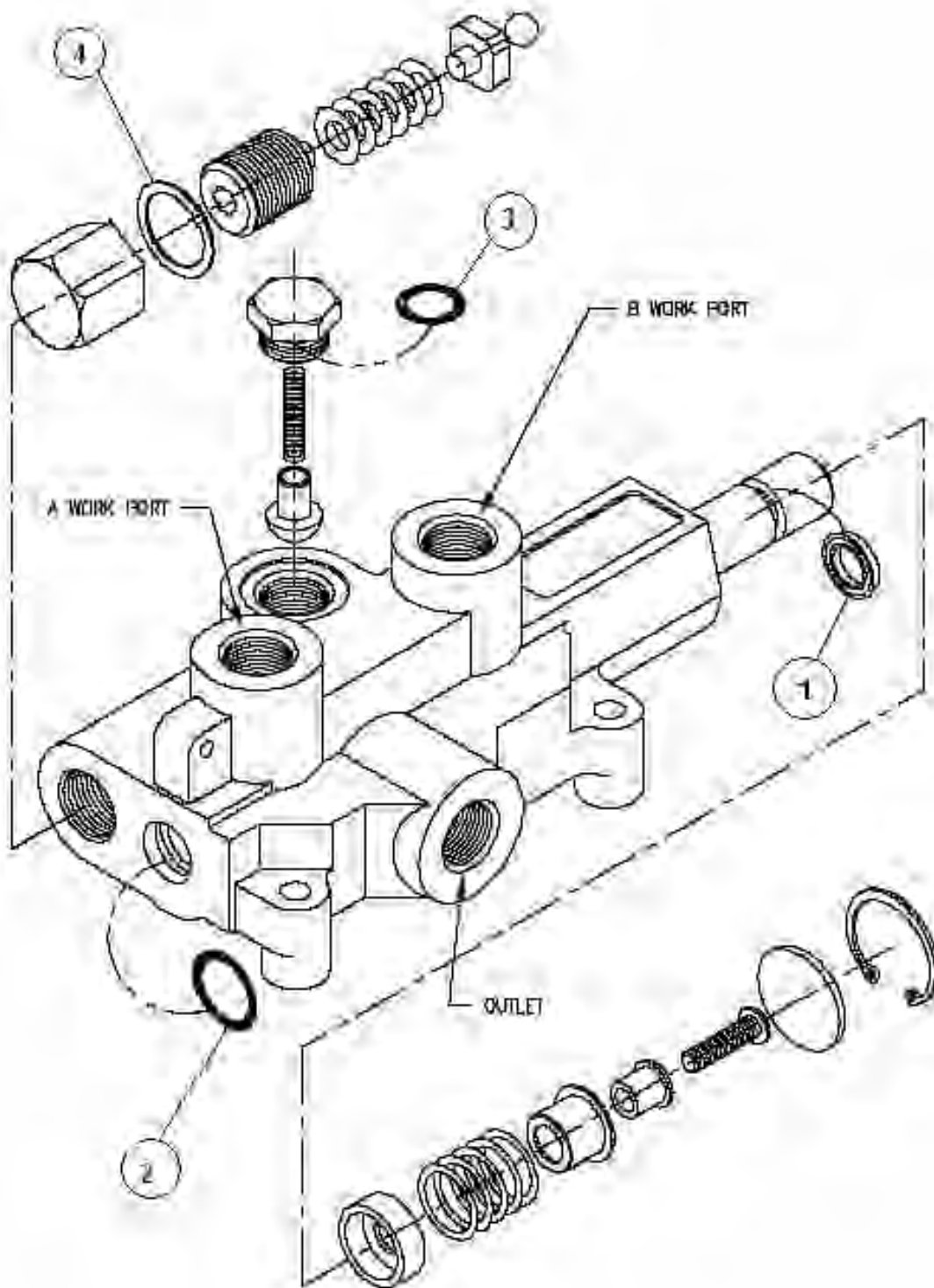
ITEM	PART NO.	DESCRIPTION	QTY
	64414	SEAL KIT	
1		O-RING	2
2		BACK-UP WASHER	2
3		O-RING	2





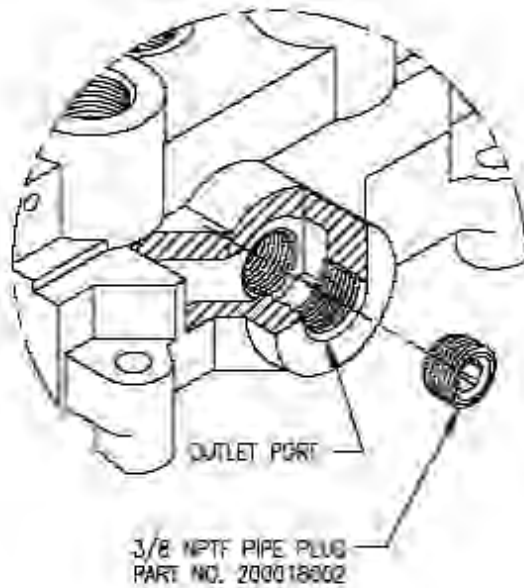
# SELECTOR VALVE #58470

ITEM	PART NO.	DESCRIPTION	QTY
	64432	QUAD RING SEAL KIT	2
	58470-1	HANDLE KIT	1
1	68060	PLATE-TAB SELECTOR VALVE ZP	2
2	1011303	SCREW-MACH RND SLT: #10-24 X 1.25	2
3	65712	NUT-NYLOCK: 10-24 GR2 SS	2
4		HANDLE	1
5		SPRING PIN	1



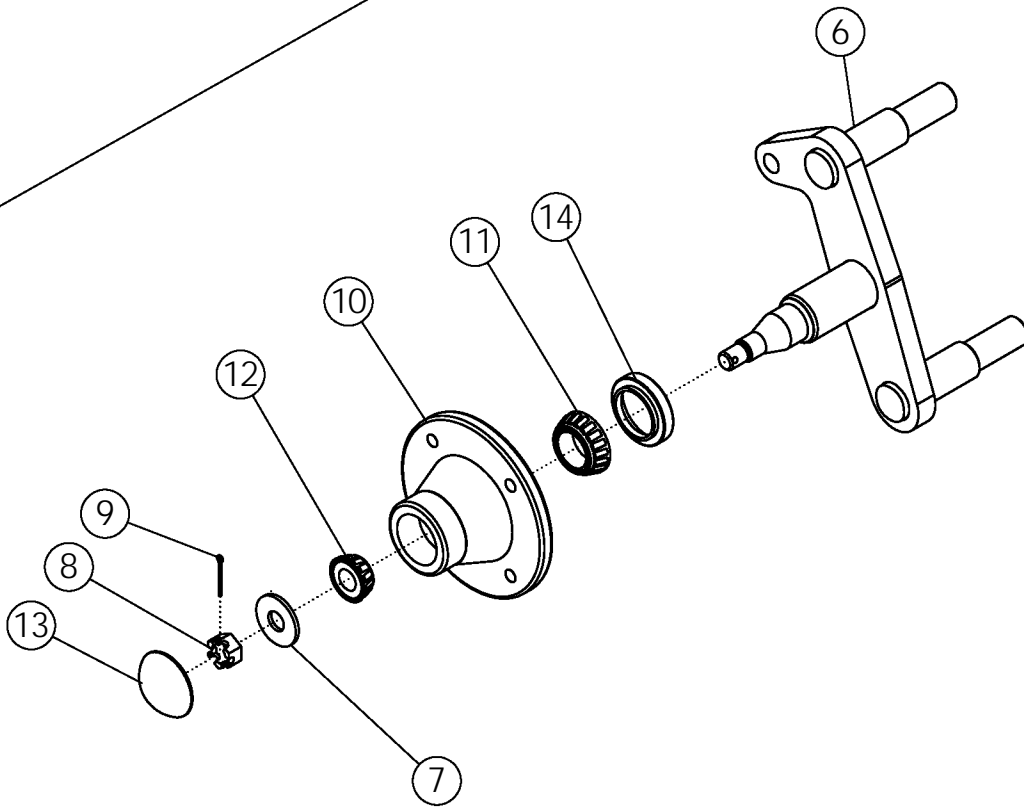
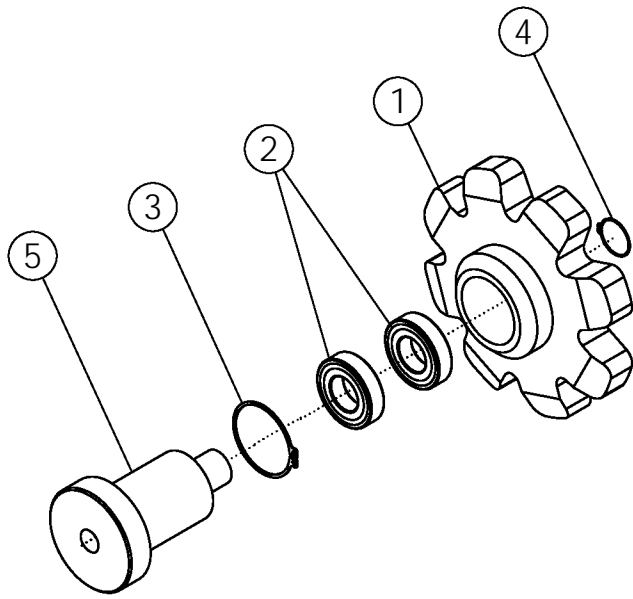
# ROW FINDER VALVE #62350

ITEM	PART NO.	DESCRIPTION	QTY
	62757	SEAL KIT	
1		U-CUP	1
2		O-RING	1
3		O-RING	1
4		ALUMINUM WASHER	1



## OPEN CENTER TO CLOSED CENTER CONVERSION

THIS FEATURE ALLOWS AN OTHERWISE OPEN CENTER VALVE TO BE CONVERTED TO CLOSED CENTER OPERATION. AS SHOWN ABOVE, A 3/8 NPTF PIPE PLUG IS INSTALLED IN THE BOTTOM OF THE OUTLET PORT TO BLOCK OPEN CENTER PASSAGE. A PIPE THREAD SEALANT SHOULD BE USED. THIS FEATURE IS STANDARD ON ALL VALVES WITH 3/4 NPTF INLET AND OUTLET PORTS. THE PIPE PLUG IS INCLUDED WITH THESE MODELS. DISCARD THE PIPE PLUG IF THE VALVE IS USED ON AN OPEN CENTER APPLICATION.



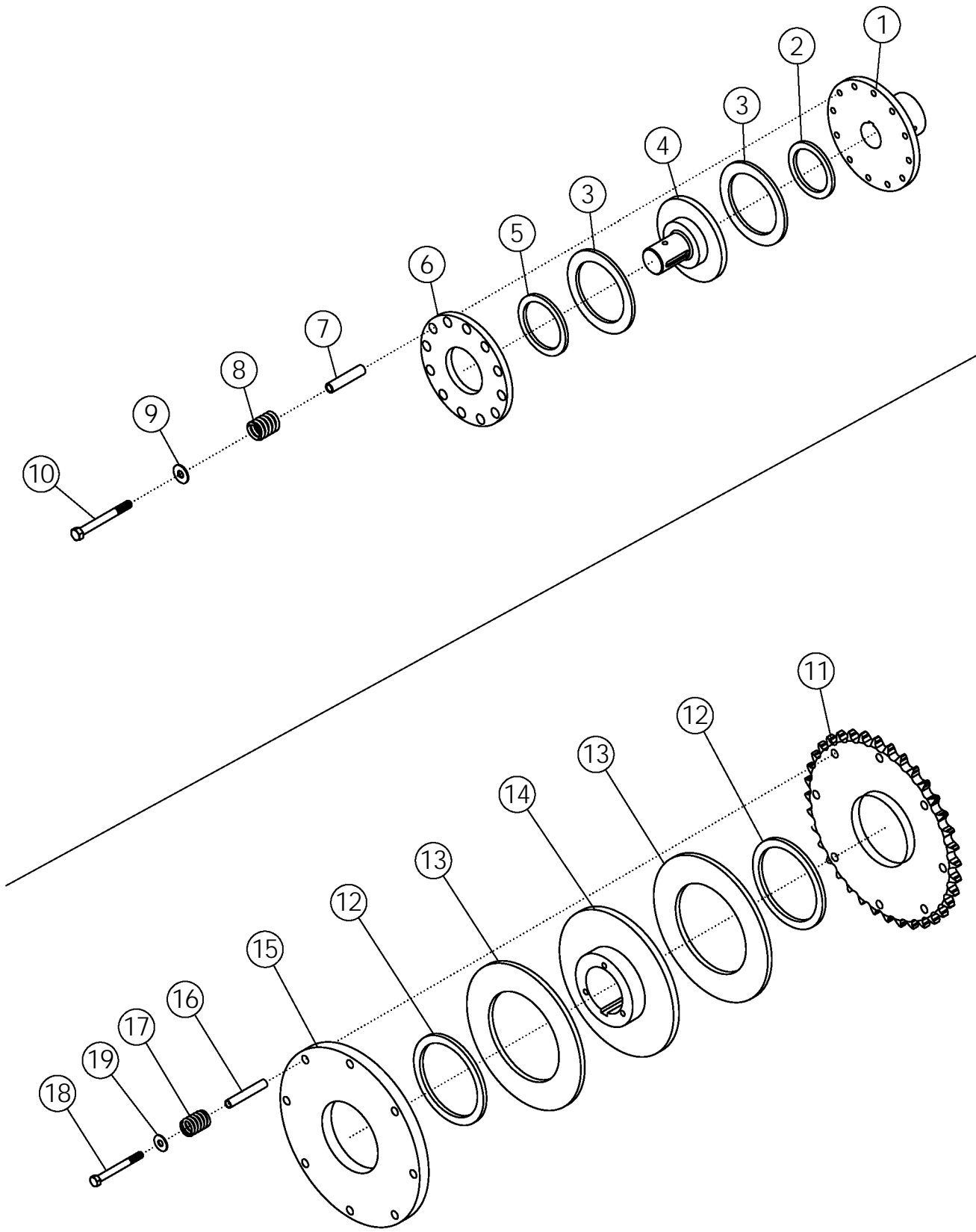
## SPROCKET #54824

ITEM	PART NO.	DESCRIPTION	QTY
1	56893	SPROCKET 56MM 8T	1
2	54108	BEARING 2"	2
3	54151	SNAP RING SR11	1
4	54154	SNAP RING SR3	1
5	56892	STUB SHAFT	1

## BELT TIGHTENER #56422

ITEM	PART NO.	DESCRIPTION	QTY
6	56421	WLDMT - SPINDLE	1
7	1013623	BUSHING-MACH: .63 NP	1
8	1013625	NUT-HEX: SLOT .63 NF GR5 ZP	1
9	1013626	PIN-COTTER: .16 X 1.25 ZP	1
10	1015157*	HUB	1
11	1012356*	CONE-BEARING	1
12	1013620*	CONE-BEARING	1
13	1013622*	HUB CAP	1
14	1029527*	SEAL	1
15	56951	ASSY-HUB	1

\*Items are included in item 15



## SLIP CLUTCH (IN-LINE) #57926

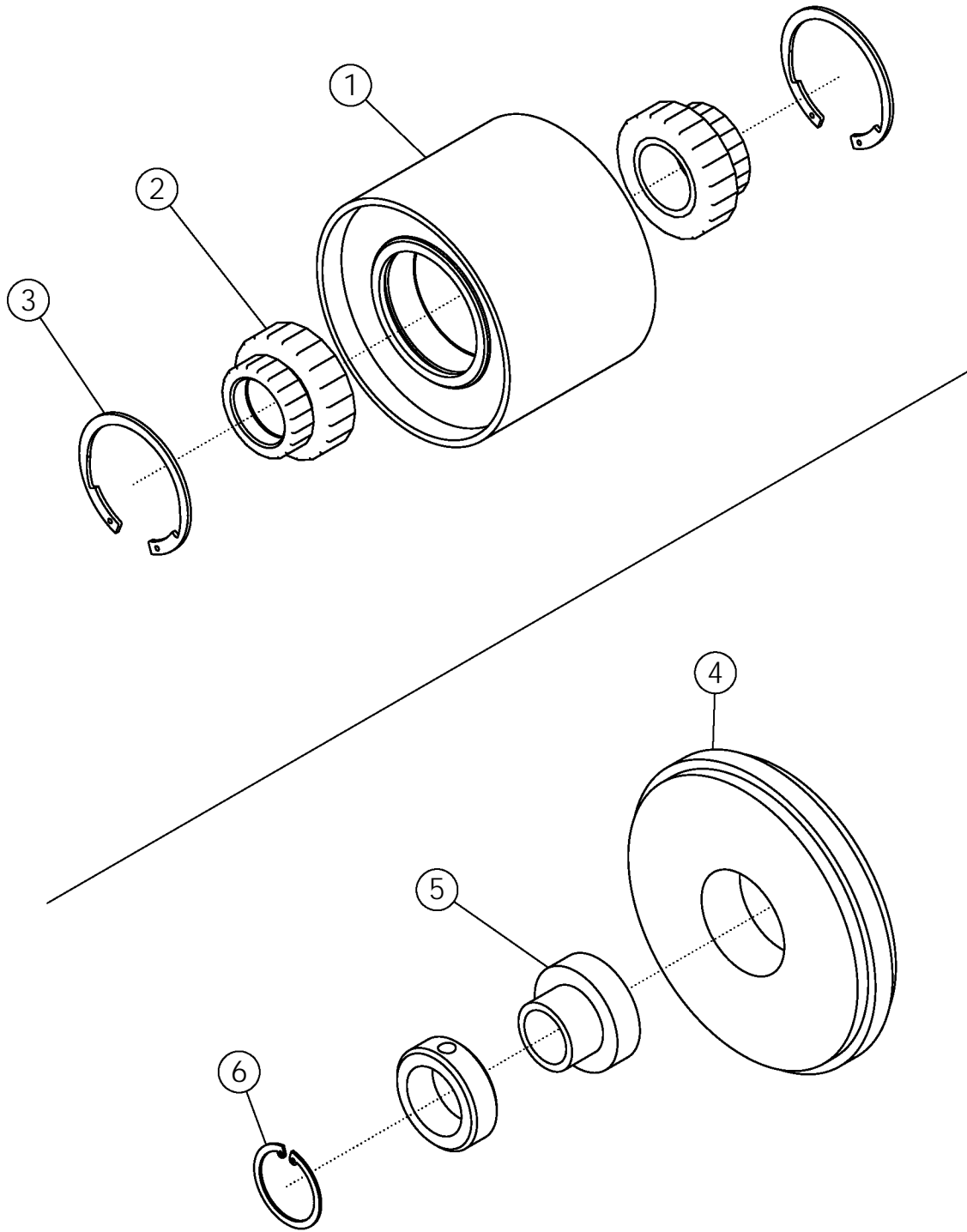
ITEM	PART NO.	DESCRIPTION	QTY
1	58168	HUB-DRIVE	1
2	58169	BUSHING-BRONZE	1
3	58170	DISC-FIBER	2
4	58171	HUB-SLIP CLUTCH	1
5	58172	BUSHING-BRONZE	1
6	58173	PLATE-SLIP CLUTCH	1
7	58565	TUBE-SLIP CLUTCH	6
8	58174	SPRING-SLIP CLUTCH	6
9	1011828	WASHER-FLAT: .38 ZP	6
10	1013239	BOLT-HEX: .38 X 3.00 NC GR5 ZP	6

## SLIP CLUTCH/SPOCKET #57993

ITEM	PART NO.	DESCRIPTION	QTY
11	58177	SPROCKET	1
12	58207	BUSHING-BRONZE	2
13	58215	DISC-FIBER	2
14	58209	HUB-CLUTCH	1
15	58211	PLATE-SLIP CLUTCH	1
16	58213	TUBE-SLIP CLUTCH (2.870")	8
17	58174	SPRING-SLIP CLUTCH	8
18	58176	BOLT-HEX: .38 X 3.50 NC GR5 ZP	8
19	1011828	WASHER-FLAT: .38 ZP	8

## SLIP CLUTCH/SPOCKET #58335

ITEM	PART NO.	DESCRIPTION	QTY
11	58566	SPROCKET	1
12	58208	BUSHING-BRONZE	2
13	58216	DISC-FIBER	2
14	58210	HUB-CLUTCH	1
15	58212	PLATE-SLIP CLUTCH	1
16	58565	TUBE-SLIP CLUTCH (PTG)	6
17	58174	SPRING-SLIP CLUTCH	6
18	1013239	BOLT-HEX: .38 X 3.00 NC GR5 ZP	6
19	1011828	WASHER-FLAT: .38 ZP	6



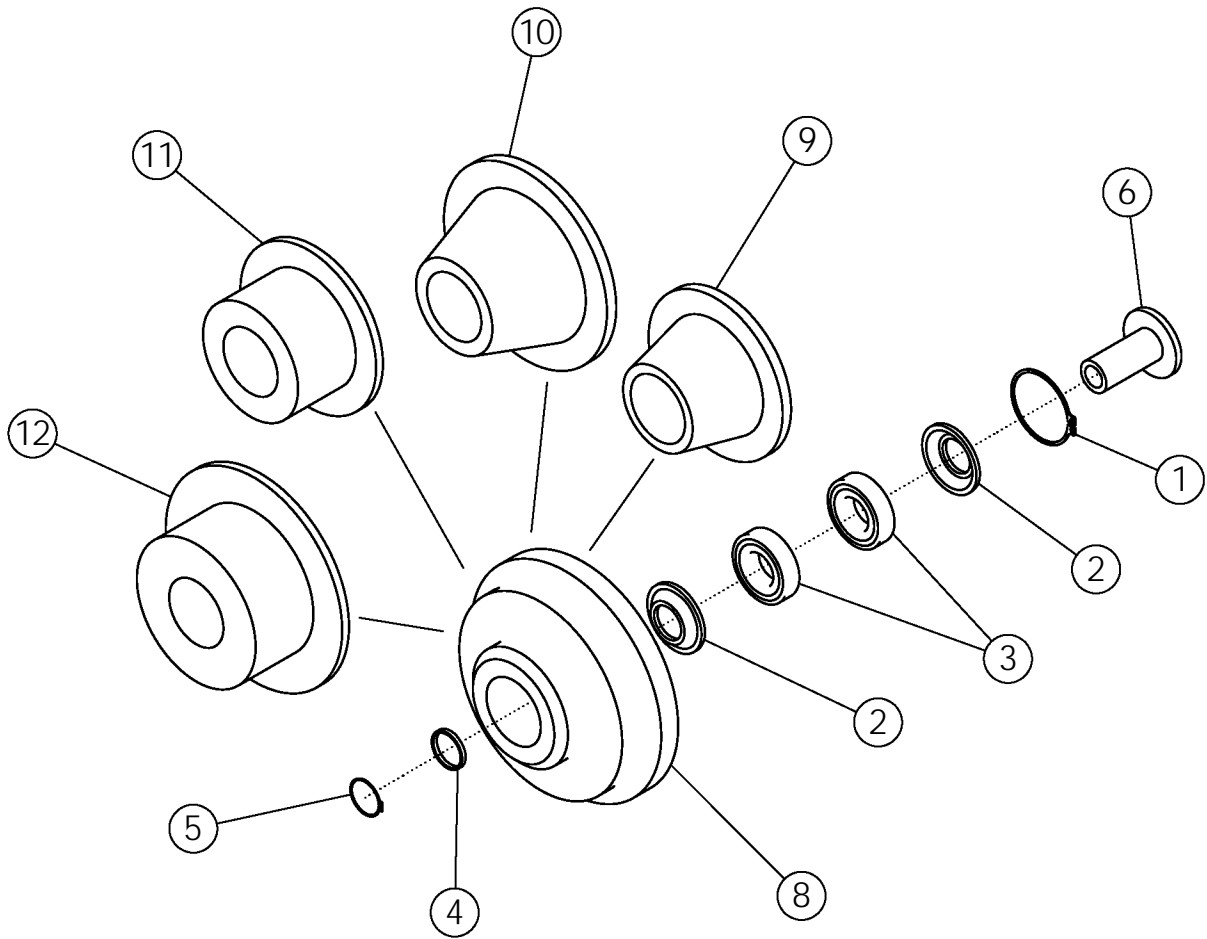
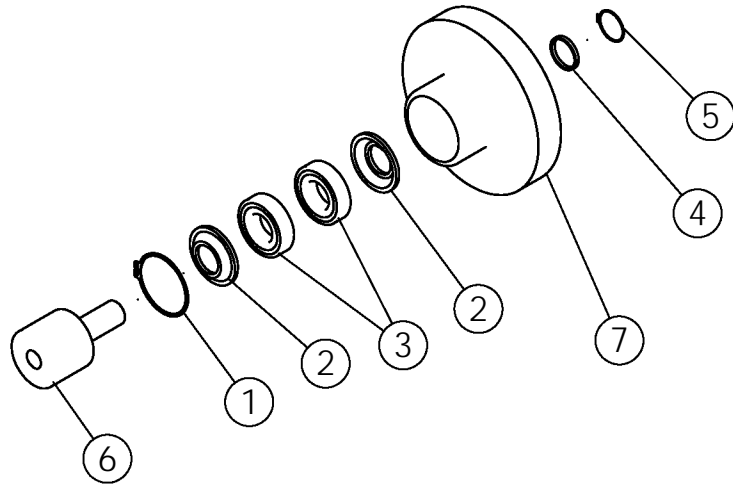


## IDLER PULLEY #56409

ITEM	PART NO.	DESCRIPTION	QTY
1	56408	WLDMT-PULLEY 8R	1
2	56399	BALL BEARING 1.75	2
3	56400	RETAINING RING	2

## SPROCKET IDLER #56851

ITEM	PART NO.	DESCRIPTION	QTY
4	58807	ROLLER-IDLER	1
5	58806	BEARING-IDLER	1
6	58805	SNAP-RING	1

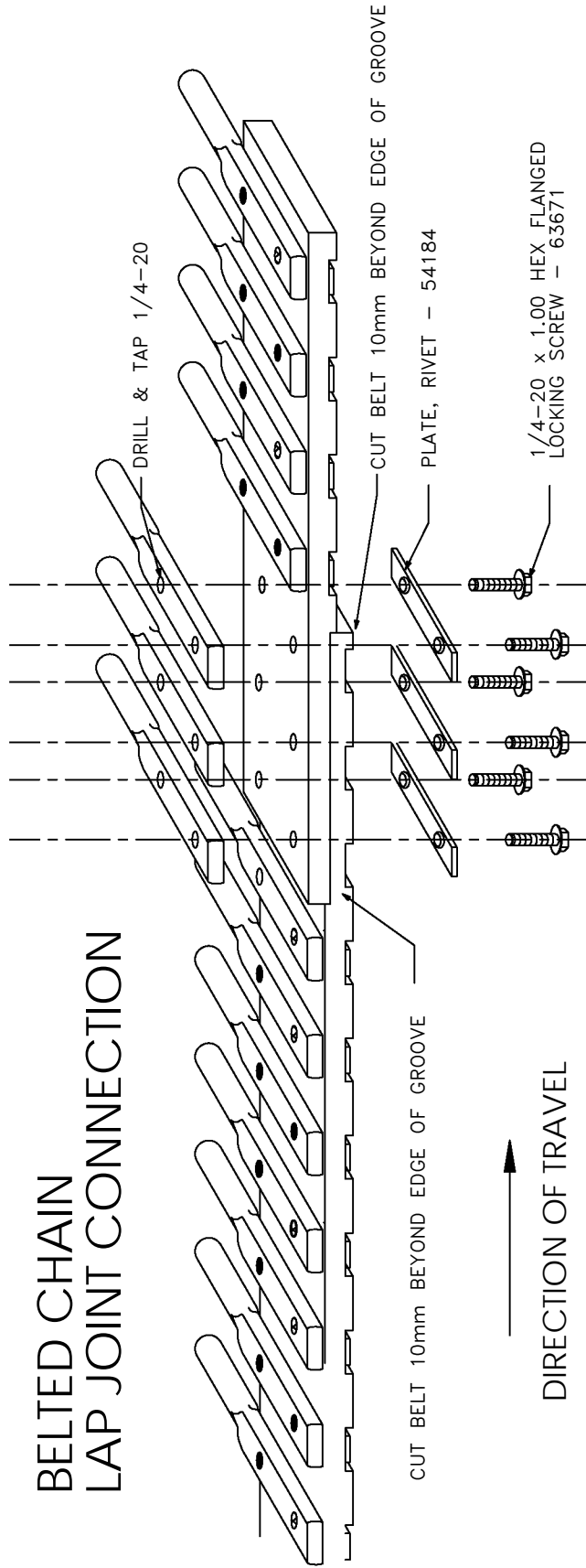


# ROLLERS

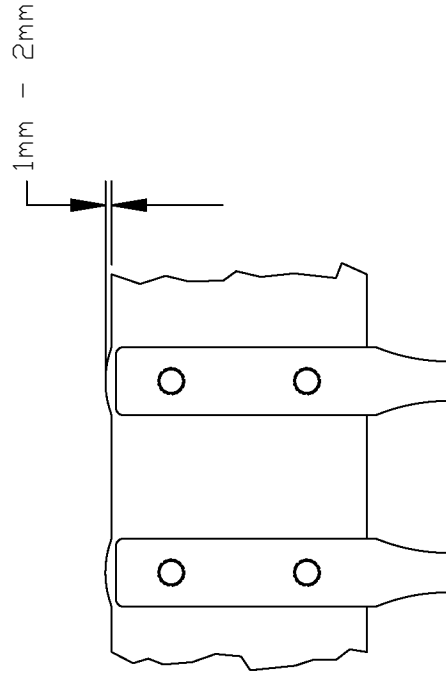
ITEM	PART NO.	DESCRIPTION	QTY
1	54151	SNAP RING SR11	1
2	54152	WASHER	2
3	54108	BEARING 2"	2
4	54153	SPACER-NRS	1
5	54154	SNAP RING SR3	1
6	56885	STUB SHAFT	1
7	54042*	ROLLER-STEP 6"	1
6	56889	STUB SHAFT	1
8	53951*	ROLLER-STEP FLANGE 7"	1
6	54155	STUB SHAFT	1
9	53699*	ROLLER-CONE 4"	1
6	54155	STUB SHAFT	1
10	53950*	ROLLER-CONE 6"	1
6	56887	STUB SHAFT	1
11	54041*	ROLLER-RUBBER FLANGE 5"	1
6	54155	STUB SHAFT	1
12	59057*	ROLLER-RUBBER FLANGE 6.5"	1

\* COMES WITH ITEMS 1-6

# BELTED CHAIN LAP JOINT CONNECTION



WARNING : ENSURE THAT SCREWS ARE SUFFICIENTLY TIGHT TO PRODUCE A BULGE AT THE EDGE OF THE BELT OF BETWEEN 1 AND 2mm (SEE DIAGRAM). FAILURE TO DO SO MAY CAUSE PREMATURE FAILURE AND VOID YOUR WARRANTY

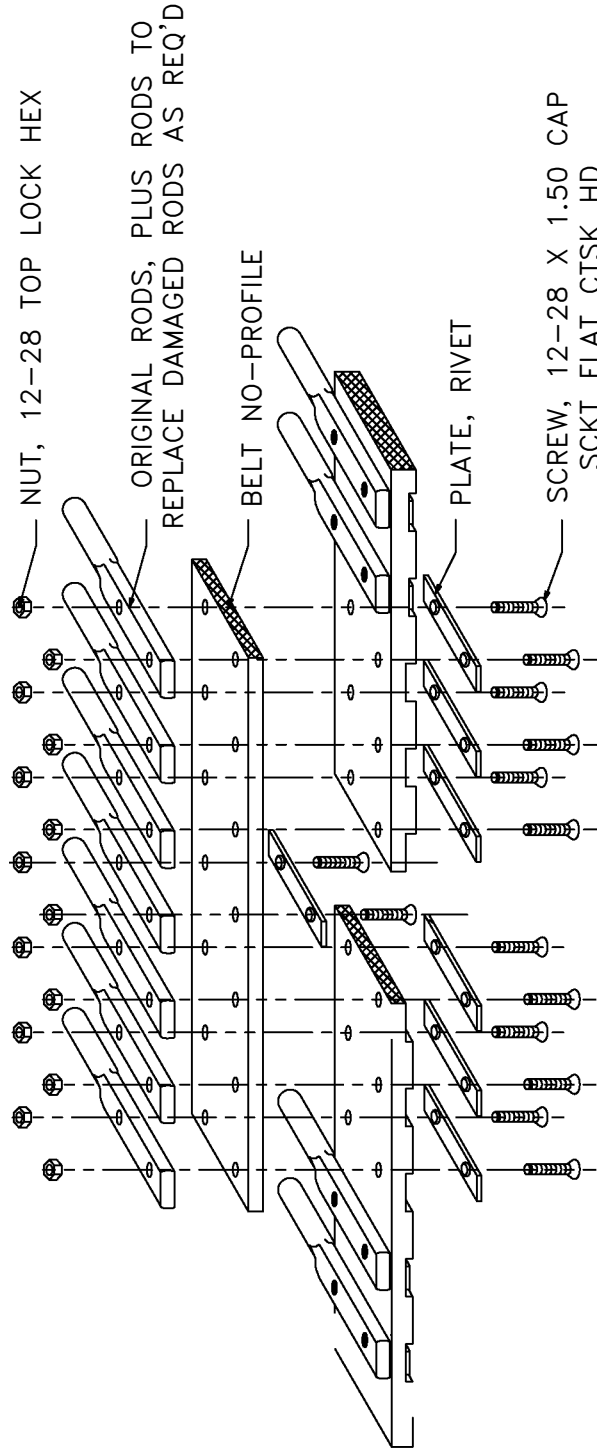


.50 Ø RODS  
DRILL & TAP .250-20  
STRAIGHT - #59168  
UP - #64757  
DOWN - #59169

# REPAIR KIT - BELTED CHAIN #59180

## KIT CONSISTS OF:

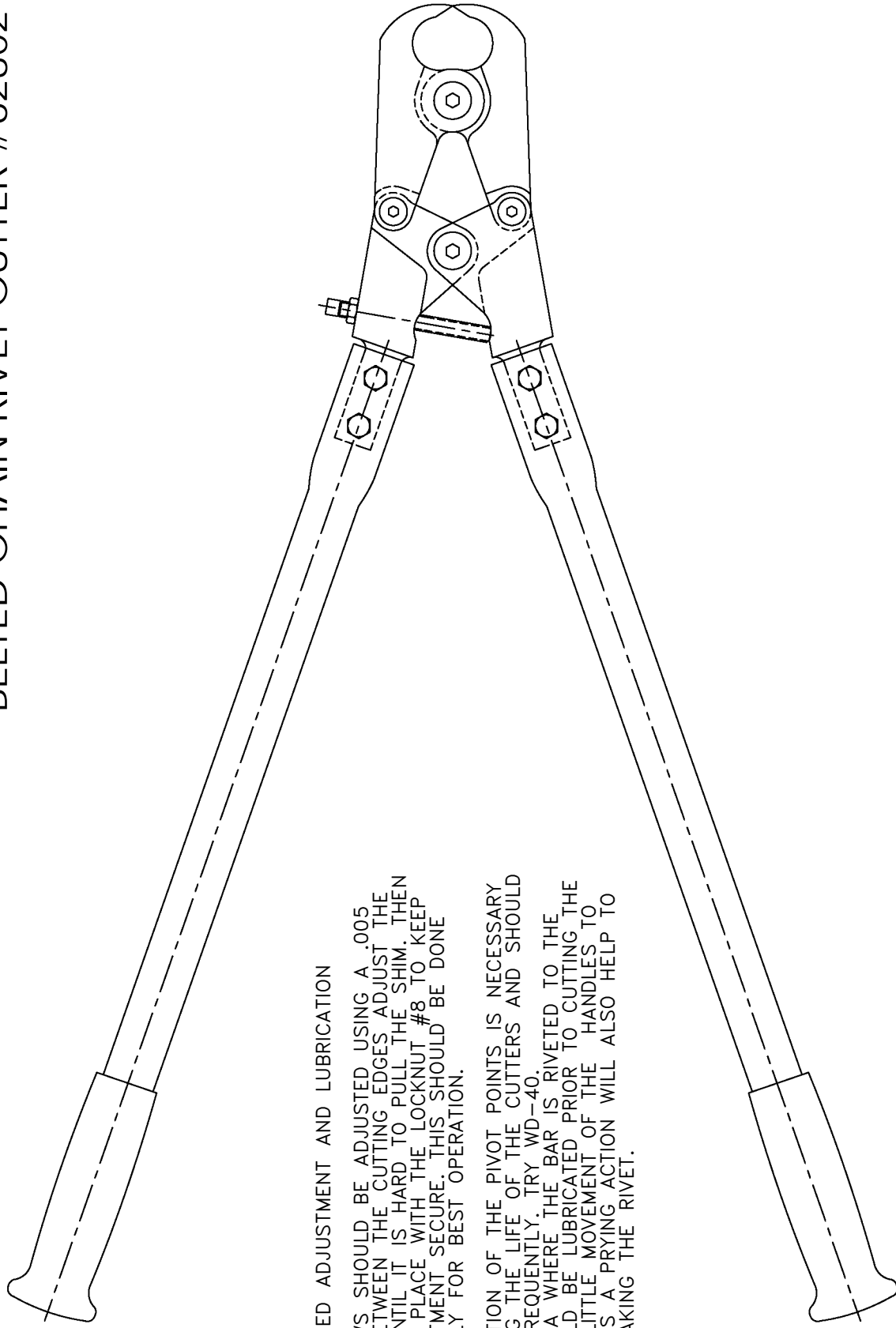
- 1.25 FT - BELT, NO-PROFILE
- 8 EA - PLATE, RIVET
- 16 EA - SCREW
- 16 EA - NUT



## REPAIR PROCEDURE

1. REMOVE RIVETS 3 PITCHES (MIN) EACH SIDE OF DAMAGED BELT.
2. TRIM OUT DAMAGED BELT.
3. CUT NO-PROFILE BELT TO GIVE MINIMUM OF 3 PITCHES OVERLAP BOTH SIDES OF DAMAGE.
4. LAY NO-PROFILE BELT ON BELT TO BE REPAIRED AND DRILL HOLES TO MATCH PITCH.
5. ASSEMBLE AS SHOWN.
6. TIGHTEN SCREWS TO FORM APPROXIMATELY 2mm BELT SWELL AT BOLTED JOINT.
7. CUT OFF SCREWS NEXT TO NUTS.
8. PEEN SCREWS TO SECURE NUTS.

# BELTED CHAIN RIVET CUTTER #62802



## RECOMMENDED ADJUSTMENT AND LUBRICATION

1. THE JAWS SHOULD BE ADJUSTED USING A .005 IN. SHIM BETWEEN THE CUTTING EDGES. ADJUST THE BOLT #7 UNTIL IT IS HARD TO PULL THE SHIM. THEN LOCK IT IN PLACE WITH THE LOCKNUT #8 TO KEEP THE ADJUSTMENT SECURE. THIS SHOULD BE DONE PERIODICALLY FOR BEST OPERATION.
2. LUBRICATION OF THE PIVOT POINTS IS NECESSARY TO PROLONG THE LIFE OF THE CUTTERS AND SHOULD BE DONE FREQUENTLY. TRY WD-40.
3. THE AREA WHERE THE BAR IS RIVETED TO THE BELT SHOULD BE LUBRICATED PRIOR TO CUTTING THE RIVETS. A LITTLE MOVEMENT OF THE HANDLES TO THE SIDE AS A PRYING ACTION WILL ALSO HELP TO FINISH BREAKING THE RIVET.

