

PARTS MANUAL

2023

Crop Chaser 1000

Amity
TECHNOLOGY

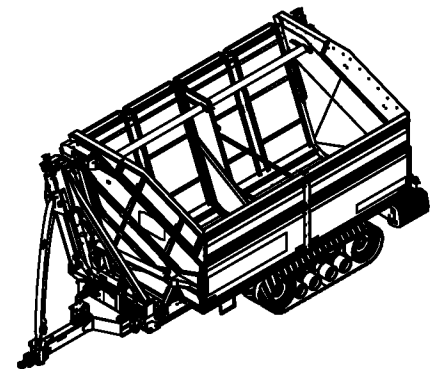
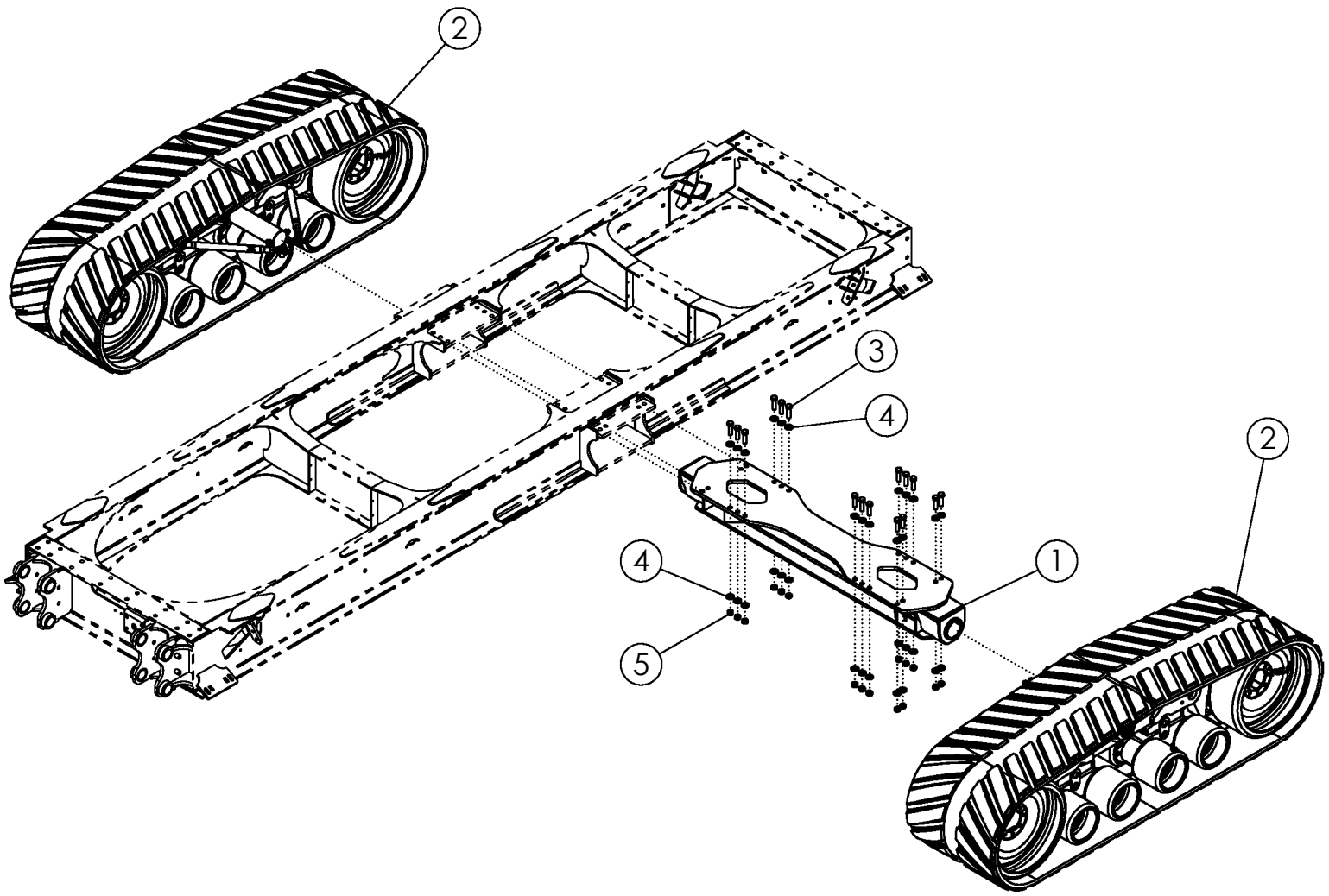


2800 7th Avenue North
Fargo, ND 58108

Phone: (701) 232-4199
Fax: (701) 234-1716
www.amitytech.com

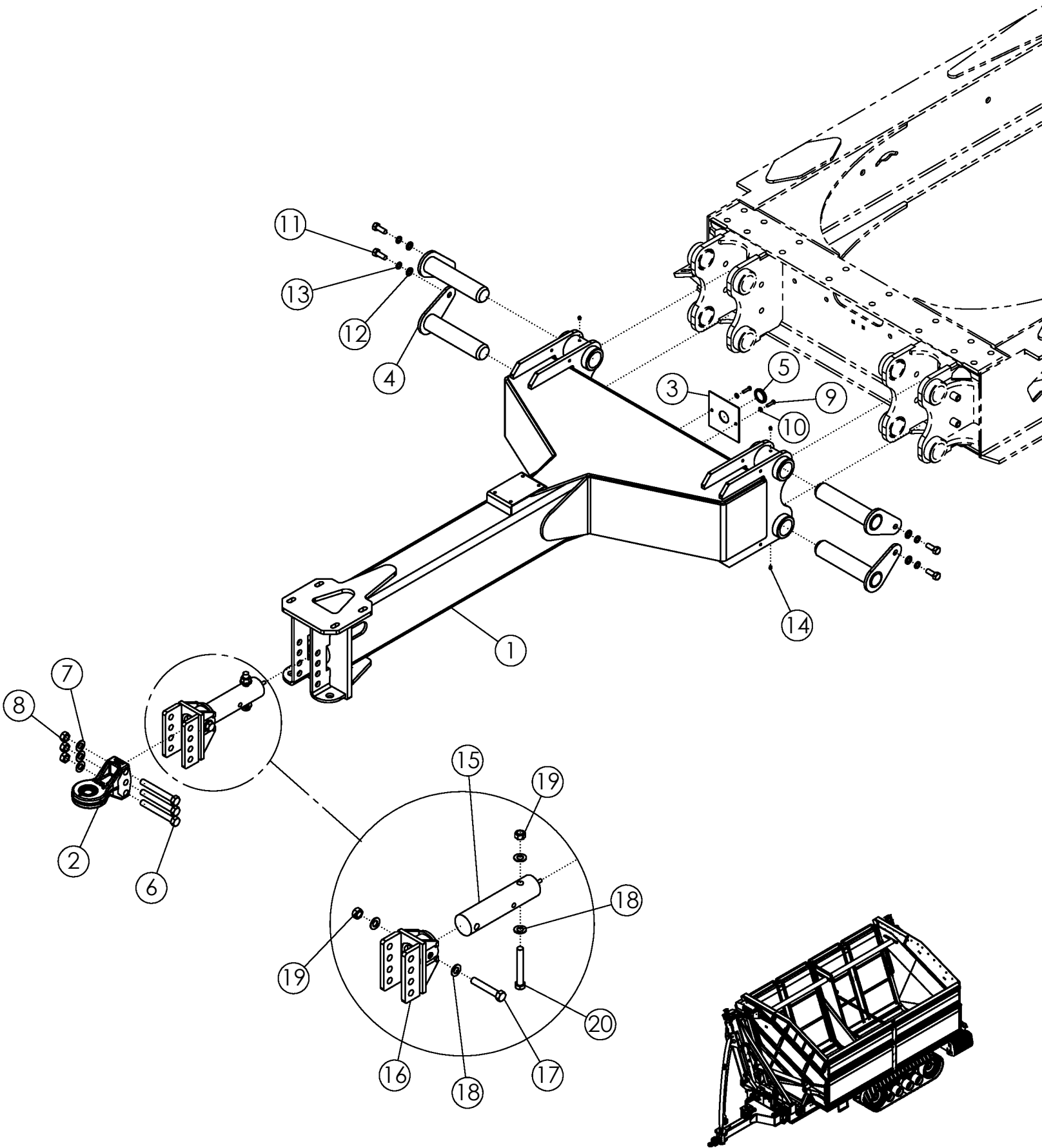
TABLE OF CONTENTS - CAMSO

AXLE	1-2
HITCH	3-4
LADDER FRAME	5-6
TRIANGLE FRAME FRONT	7-8
TRIANGLE FRAME REAR	9-10
TRIANGLE AND LADDER SUB	11-12
TRUSS FRAME	13-14
ARCH	15-16
UNLOAD WALL	17-18
TANK	19-22
TANK DOOR FRONT	23-24
TANK DOOR REAR	25-26
WEIGHT KIT	27-28
LIGHT KIT	29-30
LIGHT KIT HARNESS	31-32
CAMERA KIT HARNESS	33-34
HYDRAULIC JACK	35-36
FLOOR CHAIN MOTORS	37-38
FILL WALL RUBBER	39-40
TANK ACCESS DOOR	41-42
TANK TOP EXTENTION FRONT	43-44
TANK TOP EXTENTION REAR	45-46
HOOK ON GRAIN CHUTE	47-48
UNLOAD CHAIN WIPER	49-50
TOP DOOR LOCK BAR	51-52
TANK SLIDE GATE	53-54
TANK DOOR FRONT	55-56
TANK LADDER	57-58
HAUNCH	59-60
REVERSE HITCH	61-62
TRUSS ARM SHORT	63-64
TRUSS ARM LONG	65-66
MUDFLAPS	67-68
SCALE SYSTEM (HITCH)	69-70
LIBRA MOUNT ASSY	71-72
ENCLOSED LIBRA BOX	73-74
LADDER FRAME ROLLER	75-76
SAFETY PINS	77-78
HOSE TRAY	79-80
GREASE LINES	81-82
HYDRAULIC MOUNTING	83-84
HYDRAULIC HOSE CLAMPS	85-86
LIFT CYLINDER HYDRAULICS	87-88
TILT CYLINDER HYDRAULICS	89-90
FRONT MOTOR HYDRAULICS	91-92
REAR MOTOR HYDRAULICS	93-94
TANK DOOR HYDRAULICS	95-96
HYDRAULIC LABEL ASSY	97-98
MANUAL STORAGE	99-100
DECALS	101-106
JACK HYDRAULICS	107-109



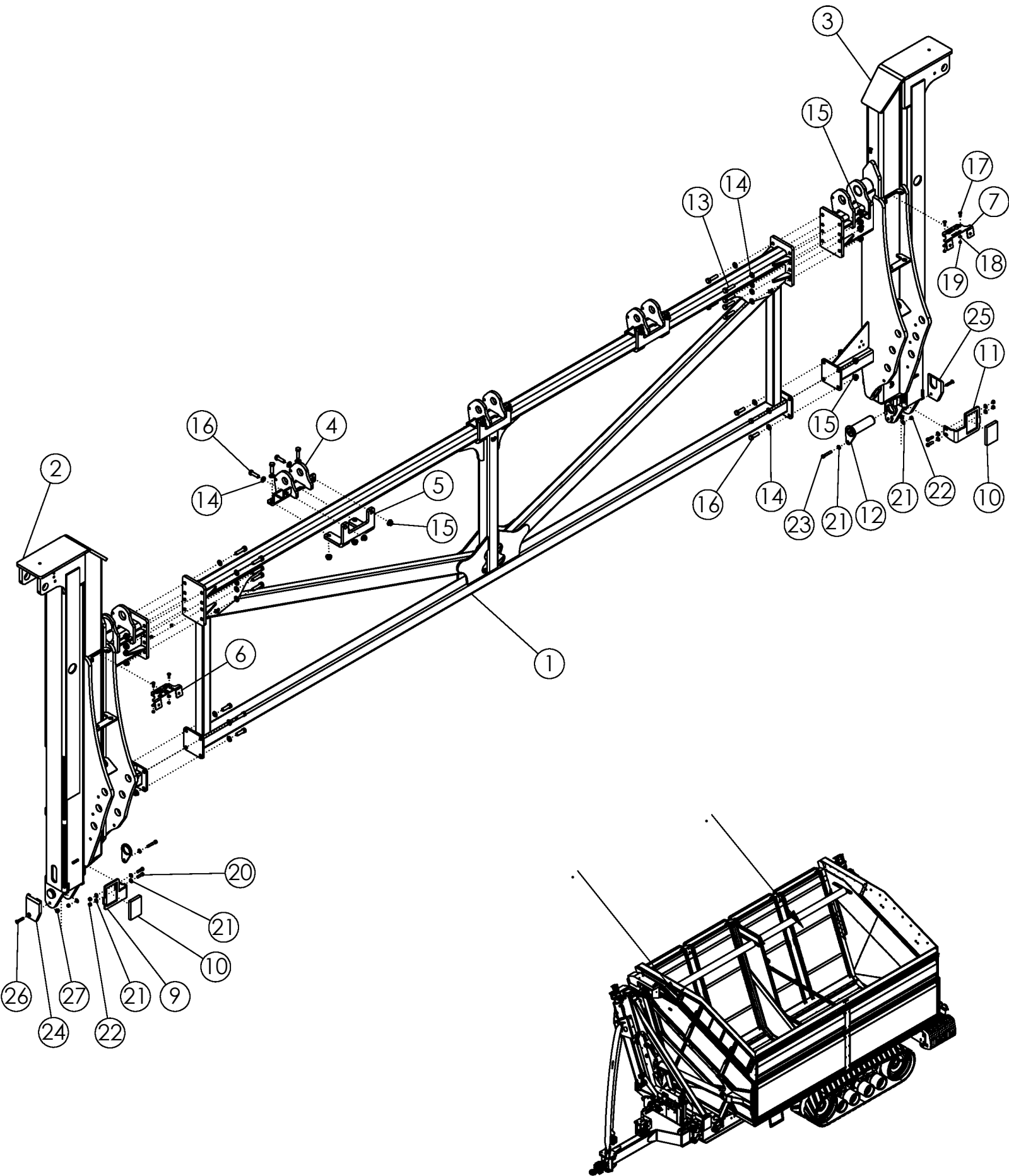
AXLE

ITEM	PART NO.	DESCRIPTION	QTY
1	318129	AXLE-CC1000	1
2	310003	TRACKS-CAMOPLAST TTS-100-3613 PAIR	1
3	1032276	BOLT-HEX: 1.00 X 3.50 NC GR8 ZP	16
4	1030728	WASHER-FLAT: SAE 1.00 ZP GR8	32
5	1016969	NUT-TOPLOCK: 1.00 NC GR5 ZP	16



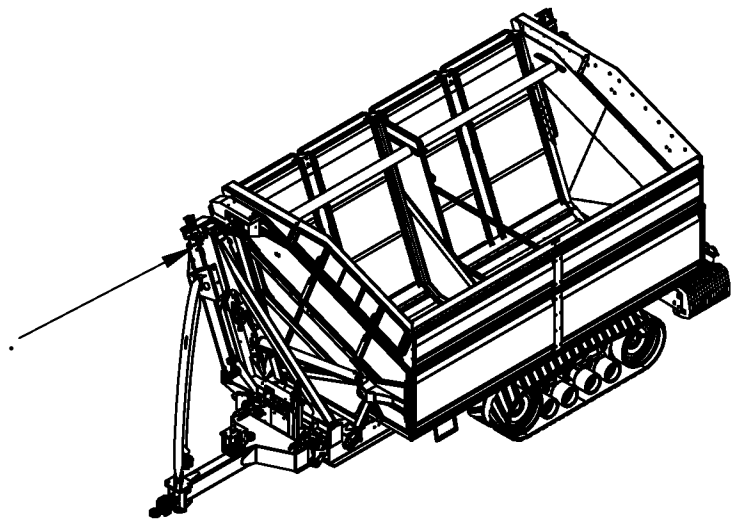
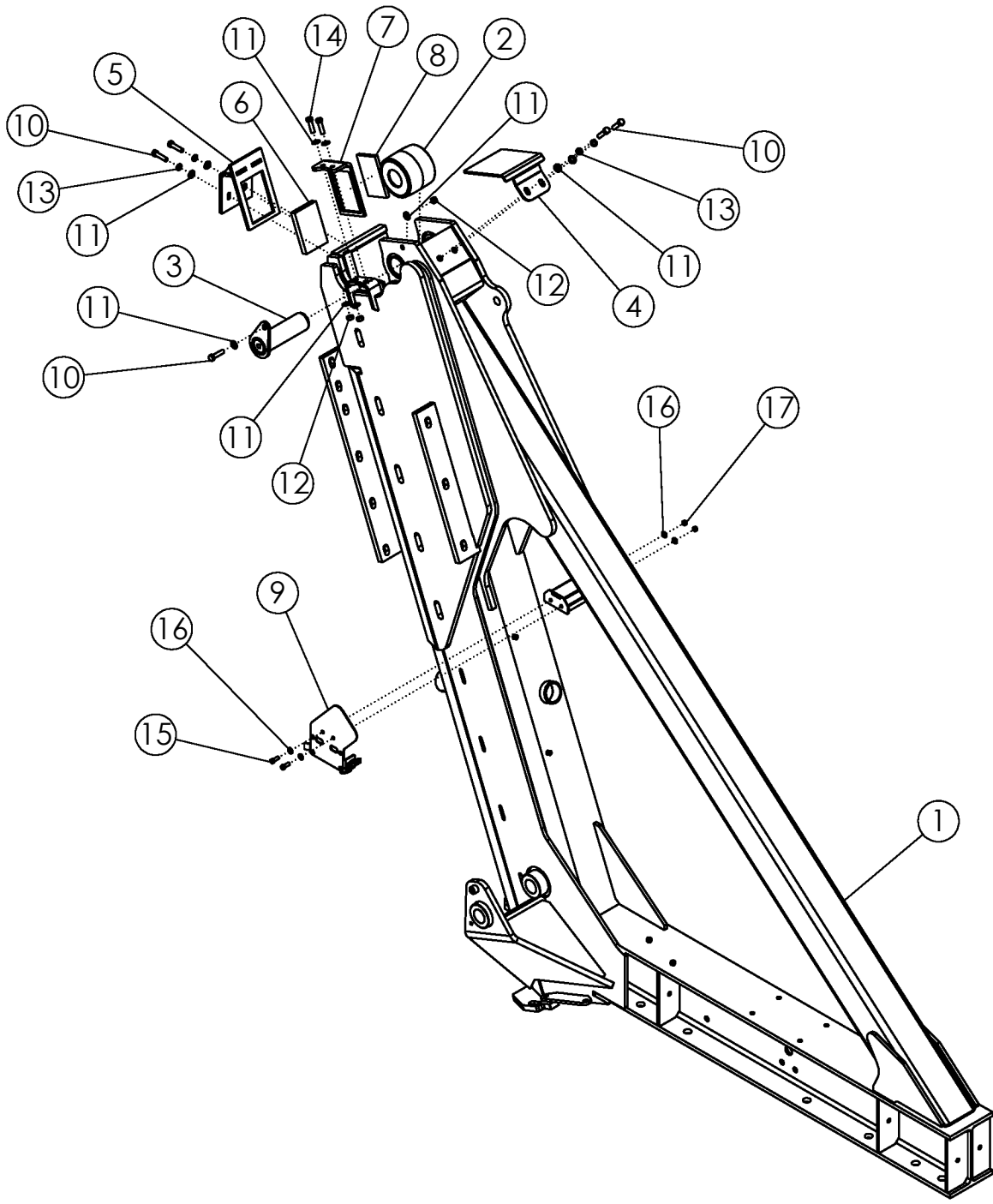
HITCH

ITEM	PART NO.	DESCRIPTION	QTY
1	318192	WLDMT-CC1000 HITCH	1
2	311422	HITCH-BULL PULL CAT 3/4 (FORGED)	1
	311820	HITCH-BULL PULL CAT 5	
3	318898	PLATE-REAR HARNESS HOLE COVER	1
4	318276	WLDMT-HITCH FLAG PIN 3.00" X 13.00" ZP	4
5	319202	GROMMET-RUBBER VARIABLE ID	1
6	1018839	BOLT-HEX: 1.00 X 7.00 NC GR8 ZP	3
7	1030728	WASHER-FLAT: SAE 1.00 ZP GR8	3
8	1016969	NUT-TOPLOCK: 1.00 NC GR5 ZP	3
9	1011602	BOLT-HEX: .38 X 1.50 NC GR5 ZP	2
10	1014608	WASHER-FLAT: SAE .38 ZP	2
11	1012060	BOLT-HEX: .75 X 2.00 NC GR5 ZP	4
12	1012634	WASHER-FLAT: SAE .75 ZP	4
13	1012061	WASHER-LOCK: .75 ZP	4
14	1030766	ZERK-GREASE: .13 NPT STRAIGHT	4
INCLUDED WITHIN 318025 (SCALE SYSTEM)			
15	318036	LOAD CELL-3.75SB-16FT EZ MATE 407694	1
16	310510	WLDMT-WEIGH TRONIX PINTLE	1
17	1032502	BOLT-HEX: 1.00 X 6.00 NC GR8 ZP	1
18	1030728	WASHER-FLAT: SAE 1.00 ZP GR8	4
19	1016969	NUT-TOPLOCK: 1.00 NC GR8 ZP	2
20	1018839	BOLT-HEX: 1.00 X 7.00 NC GR8 ZP	1



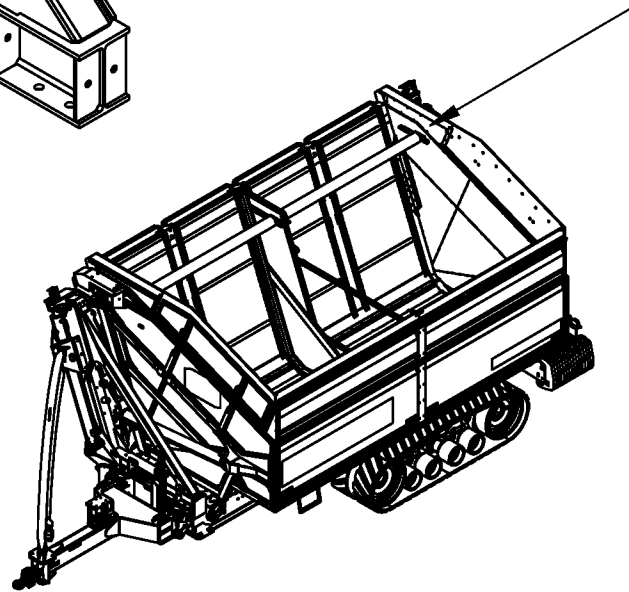
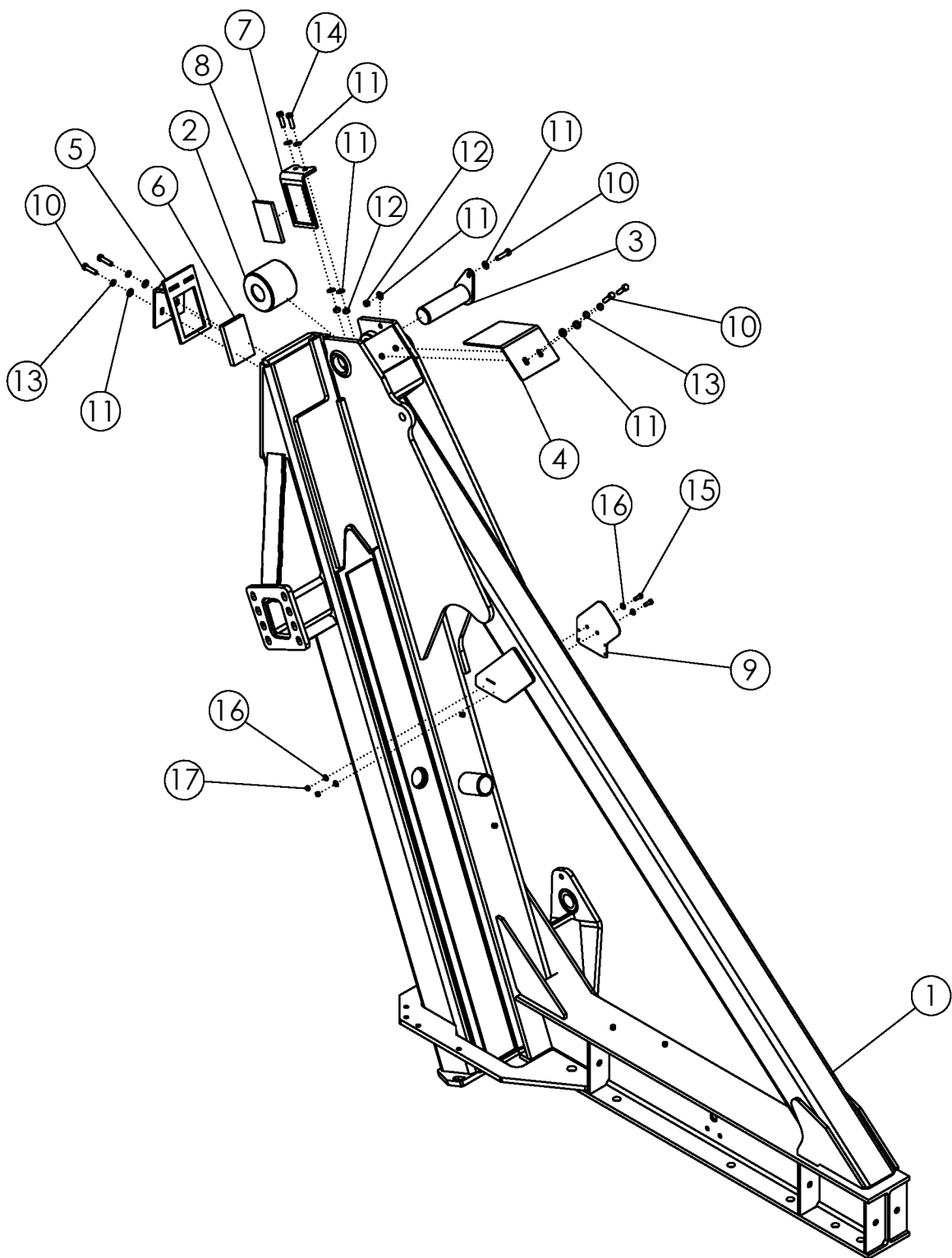
LADDER FRAME

ITEM	PART NO.	DESCRIPTION	QTY
1	318912	WLDMT-LADDER CROSS FRAME PC	1
2	318931	WLDMT-LADDER SUB FRONT	1
3	318934	WLDMT-LADDER SUB REAR	1
4	319408	WLDMT-LADDER HINGE	3
5	319406	PLATE-LADDER HINGE MOUNT	3
6	319401	WLDMT-LADDER BULKHEAD FRONT	1
7	319402	WLDMT-LADDER BULKHEAD REAR	1
8	319326	ASSY-LADDER FRAME ROLLER	2
9	318708	PLATE-PLASTIC MOUNT 2 FRONT	1
10	318714	PLASTIC-LADDER FRAME BLOCK	2
11	318709	PLATE-PLASTIC MOUNT 2 REAR	1
12	318079	WLDMT-ROLLER FLAG PIN 2.50" GKF	2
13	1032291	BOLT-HEX: .75 X 3.00 NC GR8 YZP	16
14	35132	WASHER-FLAT: SAE .75 YZP GR8	36
15	303775	NUT-FLANGE: TOPLOCK .75 NC YZP	36
16	62096	BOLT-HEX: .75 X 2.50 NC GR8 ZP	12
17	1016362	BOLT-CRG: .38 X 1.25 NC GR5 ZP	4
18	1014608	WASHER-FLAT: SAE .38 ZP	4
19	1016999	NUT-TOPLOCK: .38 NC GR5 ZP	4
20	1011608	BOLT-HEX: .50 X 1.75 NC GR5 ZP	4
21	1011584	WASHER-FLAT: SAE .50 ZP	12
22	1027461	NUT-TOPLOCK: .50 NC GR5 ZP	6
23	1011611	BOLT-HEX: .50 X 3.00 NC GR5 ZP	2
24	319357	PLASTIC-LOWER LADDER ROLLER FRONT	1
25	319358	PLASTIC-LOWER LADDER ROLLER REAR	1
26	1020415	SCREW: FHSC .50 X 2.50"	2
27	303774	NUT-FLANGE: TOPLOCK .50 NC YZP	2



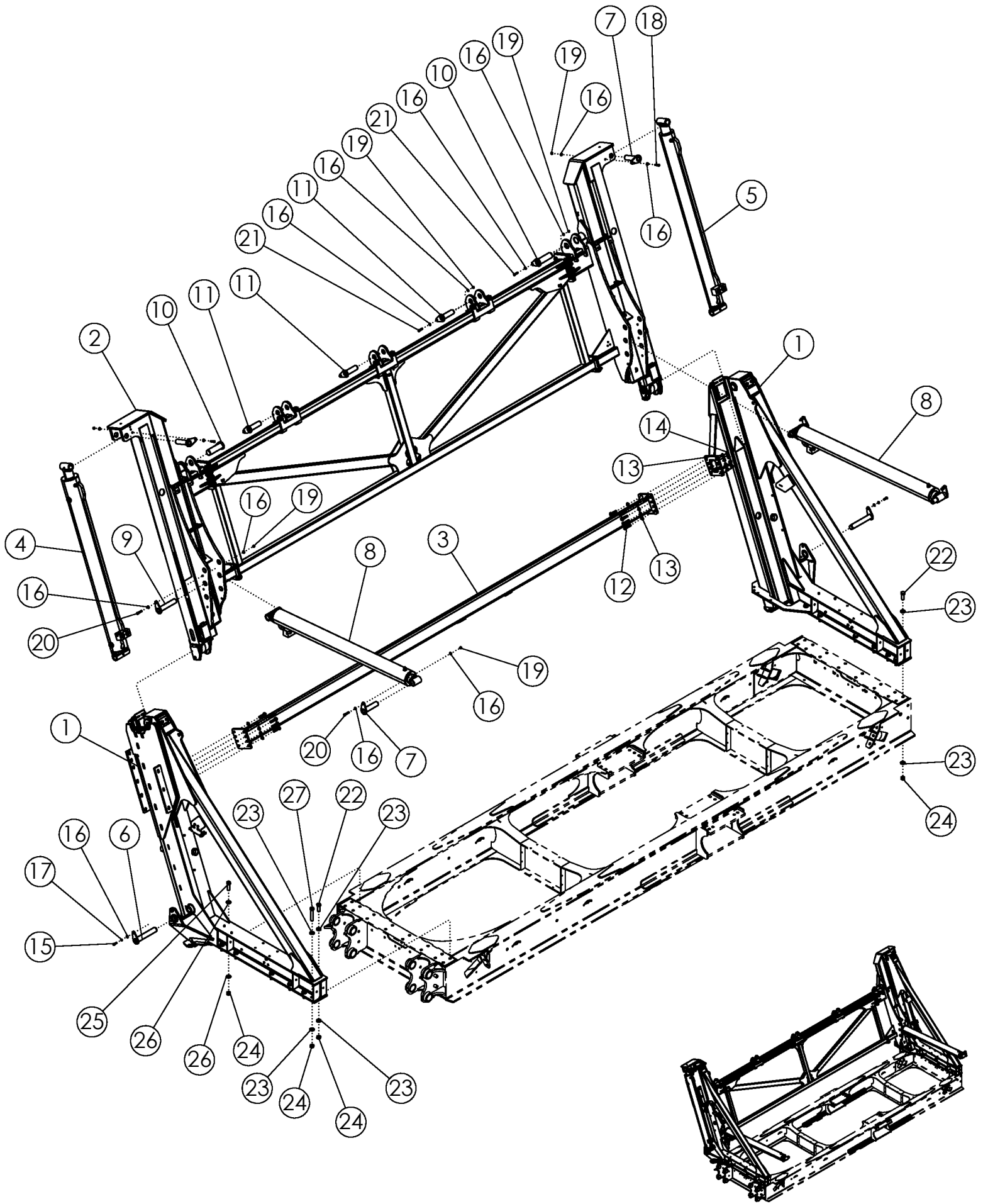
TRIANGLE FRAME FRONT

ITEM	PART NO.	DESCRIPTION	QTY
1	318311	WLDMT-TRIANGLE FRAME FRONT	1
2	319326	ASSY-LADDER FRAME ROLLER	1
3	318079	WLDMT-ROLLER FLAG PIN 2.50" GKF	1
4	318681	PLATE-ROLLER SHIELD	1
5	319011	WLDMT-TRIANGLE PLASTIC BLOCK MOUNT	1
6	318714	PLASTIC-LADDER FRAME BLOCK	1
7	318730	PLATE-INNER TRIANGLE PLASTIC MOUNT	1
8	318731	PLASTIC-INNER TRIANGLE FRAME BLOCK	1
9	319521	ASSY-LIBRA MOUNT	1
10	1011609	BOLT-HEX: .50 X 2.00 NC GR5 ZP	5
11	1011584	WASHER-FLAT: SAE .50 ZP	10
12	1027461	NUT-TOPLOCK: .50 NC GR5 ZP	3
13	1011581	WASHER-LOCK: SAE .50 ZP	4
14	1011608	BOLT-HEX: .50 X 1.75 NC GR5 ZP	2
15	1011600	BOLT-HEX: .38 X 1.00 NC GR5 ZP	2
16	1014608	WASHER-FLAT: SAE .38 ZP	4
17	1016999	NUT-TOPLOCK: .38 NC GR5 ZP	2



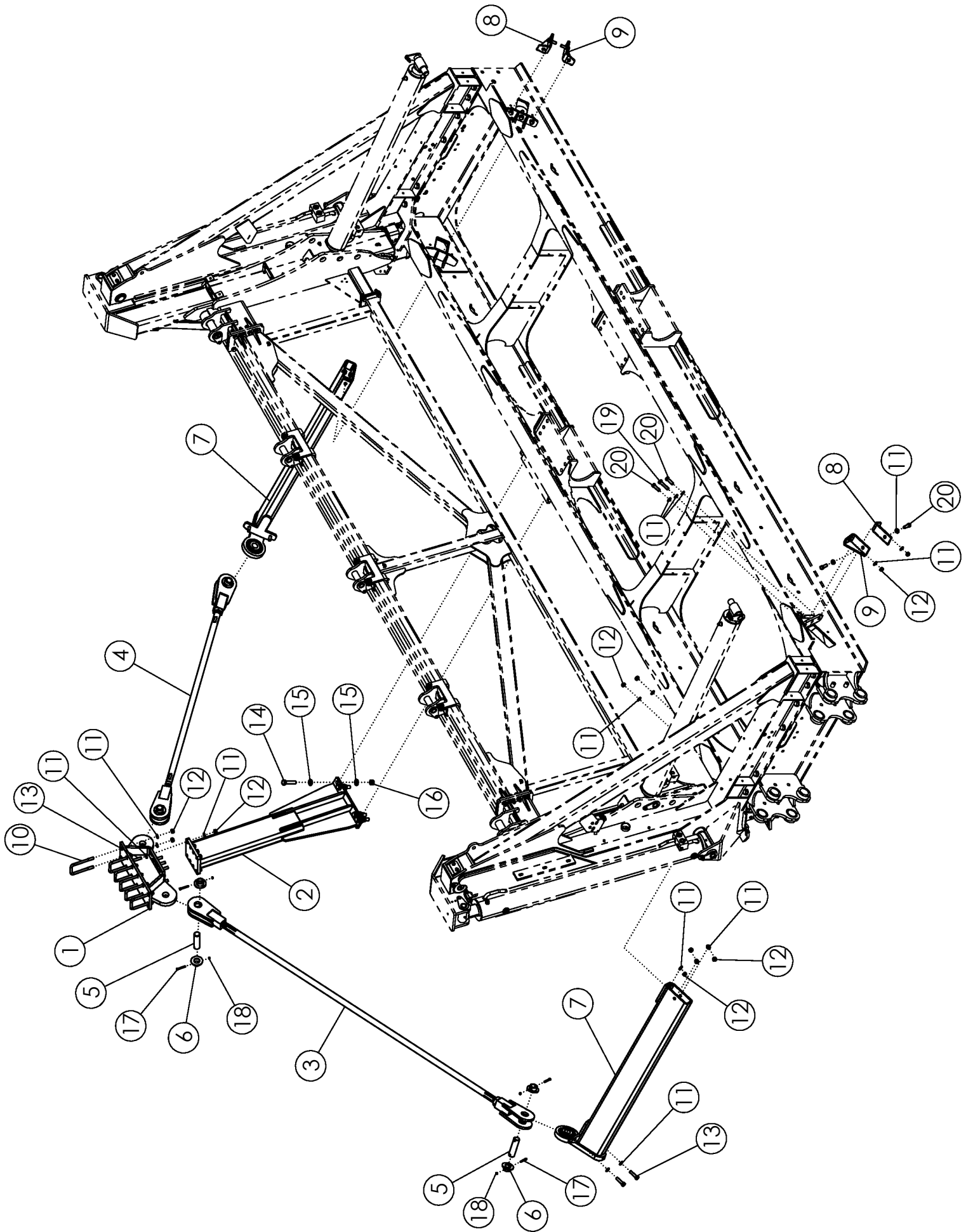
TRIANGLE FRAME REAR

ITEM	PART NO.	DESCRIPTION	QTY
1	318312	WLDMT-TRIANGLE FRAME REAR	1
2	319326	ASSY-LADDER FRAME ROLLER	1
3	318079	WLDMT-ROLLER FLAG PIN 2.50" GKF	1
4	318681	PLATE-ROLLER SHIELD	1
5	319011	WLDMT-TRIANGLE PLASTIC BLOCK MOUNT	1
6	318714	PLASTIC-LADDER FRAME BLOCK	1
7	318730	PLATE-INNER TRIANGLE PLASTIC MOUNT	1
8	318731	PLASTIC-INNER TRIANGLE FRAME BLOCK	1
9	319295	PLATE-HOSE LOOP CAP WITH LIBRA MOUNT	1
10	1011609	BOLT-HEX: .50 X 2.00 NC GR5 ZP	5
11	1011584	WASHER-FLAT: SAE .50 ZP	10
12	1027461	NUT-TOPLOCK: .50 NC GR5 ZP	3
13	1011581	WASHER-LOCK: SAE .50 ZP	4
14	1011608	BOLT-HEX: .50 X 1.75 NC GR5 ZP	2
15	1011600	BOLT-HEX: .38 X 1.00 NC GR5 ZP	2
16	1014608	WASHER-FLAT: SAE .38 ZP	4
17	1016999	NUT-TOPLOCK: .38 NC GR5 ZP	2



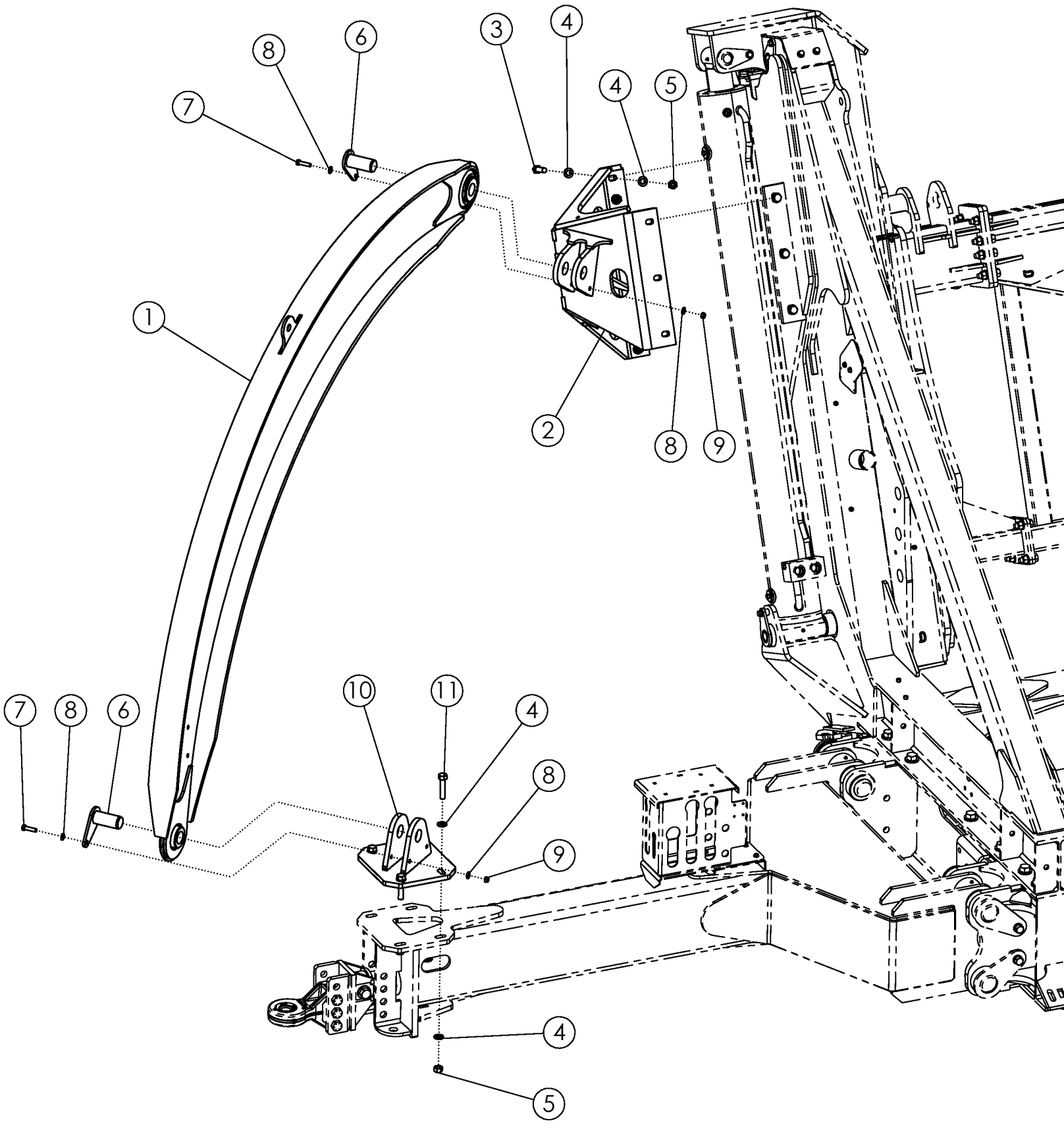
TRIANGLE AND LADDER SUB

ITEM	PART NO.	DESCRIPTION	QTY
1	318379	ASSY-TRIANGLE FRAMES	1
2	318935	ASSY-LADDER FRAME	1
3	318970	WLDMT-UPPER TRUSS	1
4	318001	CYL-HYDRAULIC 7.00 X 72 REPHASE	1
5	318002	CYL-HYDRAULIC 5.75 X 72 REPHASE	1
6	318156	WLDMT-CYLINDER FLAG PIN 2.00" X 12.00" ZP	2
7	318160	WLDMT-CYLINDER FLAG PIN 2.00" X 8.00" ZP	4
8	318003	CYL-HYDRAULIC 6.00 X 72	2
9	318158	WLDMT-CYLINDER FLAG PIN 2.00" X 10.13" ZP	2
10	318079	WLDMT-ROLLER FLAG PIN 2.50" GKF	2
11	318076	WLDMT-ROLLER FLAG PIN 2.00" GKF	3
12	1032291	BOLT-HEX: .75 X 3.00 NC GR8 YZP	16
13	35132	WASHER-FLAT: SAE .75 YZP GR8	32
14	1017000	NUT-TOPLOCK: .75 NC GR5 ZP	16
15	1011607	BOLT-HEX: .50 X 1.50 NC GR5 ZP	2
16	1011584	WASHER-FLAT: SAE .50 ZP	24
17	1011581	WASHER-LOCK: .50 ZP	2
18	1017708	BOLT-HEX: .50 X 2.25 NC GR5 ZP	2
19	1027461	NUT-TOPLOCK: .50 NC GR5 ZP	11
20	1011610	BOLT-HEX: .50 X 2.50 NC GR5 ZP	4
21	1011609	BOLT-HEX: .50 X 2.00 NC GR5 ZP	5
22	1018008	BOLT-HEX: 1.00 X 3.00 NC GR8 ZP	20
23	1030728	WASHER-FLAT: SAE 1.00 ZP GR8	42
24	1016969	NUT-TOPLOCK: 1.00 NC GR5 ZP	23
25	1011626	BOLT-HEX: 1.00 X 3.50 NC GR5 ZP	2
26	1016663	WASHER-FLAT: SAE 1.00 ZP	4
27	1032502	BOLT-HEX: 1.00 X 6.00 NC GR8 ZP	1



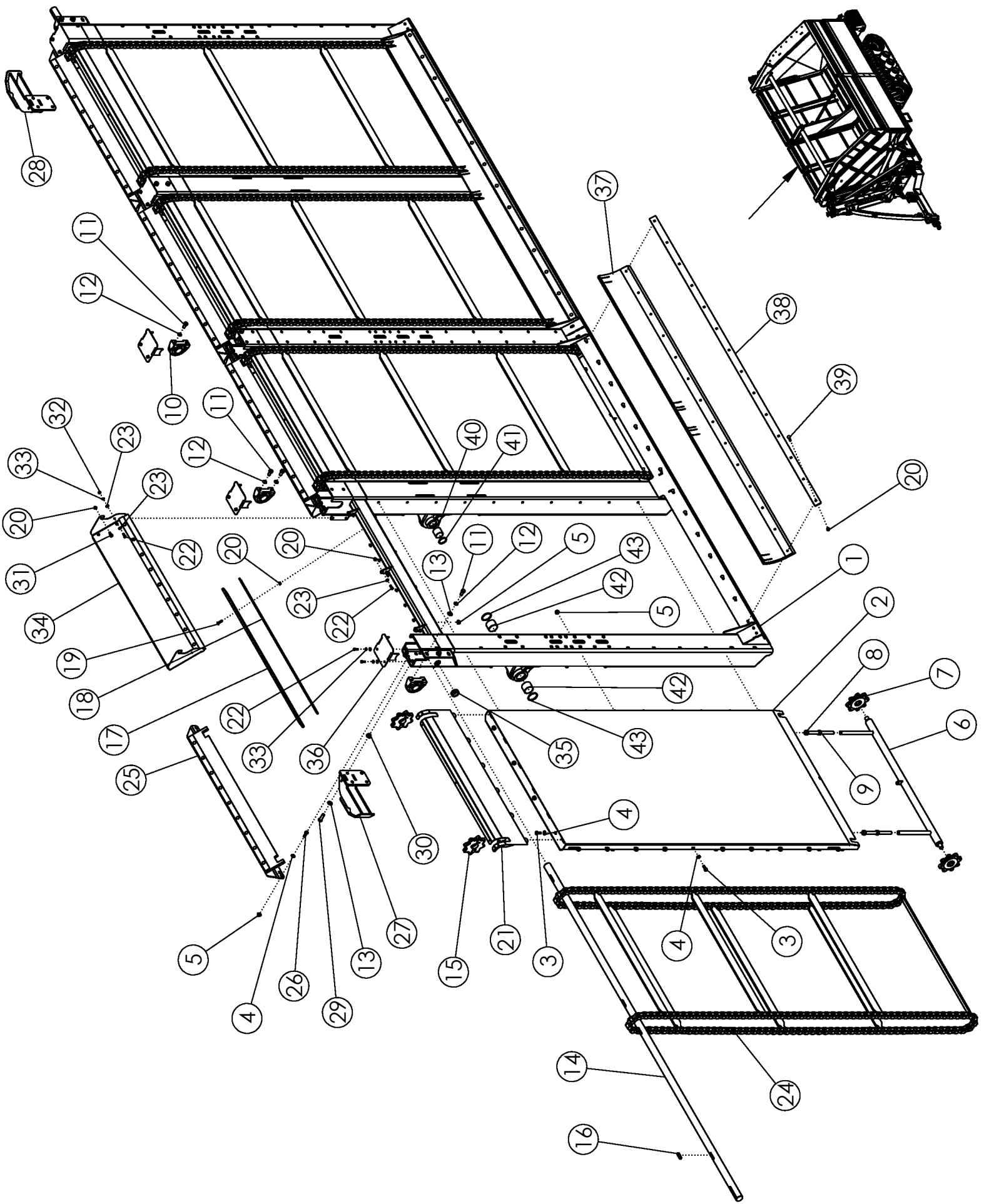
TRUSS FRAME (CAMSO)

ITEM	PART NO.	DESCRIPTION	QTY
1	318979	WLDMT-MIDDLE TRUSS CONNECTION	1
2	318944	WLDMT-TRUSS CENTER SUPPORT	1
3	318923	ASSY-TRUSS ARM LONG	1
4	318952	ASSY-TRUSS ARM SHORT	1
5	319195	PIN-TRUSS 2.000" X 7.125" ZP	4
6	319197	WLDMT-TRUSS PIN COLLAR	8
7	318951	ASSY-MODULE END CONNECTION	2
8	319062	WLDMT-MODULE GUSSET LH	2
9	319063	WLDMT-MODULE GUSSET RH	2
10	319026	U-BOLT: .750 X 8.00 X 4.06 X 8.00	6
11	35132	WASHER-FLAT: SAE .75 YZP GR8	56
12	1017000	NUT-TOPLOCK: .75 NC GR5 ZP	34
13	1032291	BOLT-HEX: .75 X 3.00 NC GR8 YZP	12
14	1032288	BOLT-HEX: 1.0 X 4.50 NC GR8 ZP	4
15	1030728	WASHER-SPINDLE: 1.06ID X 2.13OD	8
16	1016969	NUT-TOPLOCK: 1.00 NC GR5 ZP	4
17	1013239	BOLT-HEX: .38 X 3.00 NC GR5 ZP	8
18	1016999	NUT-TOPLOCK: .38 NC GR5 ZP	8
19	1032289	BOLT-HEX: .75 X 3.50 NC GR8 YZP	2
20	62096	BOLT-HEX: .75 X 2.50 NC GR8 ZP	8



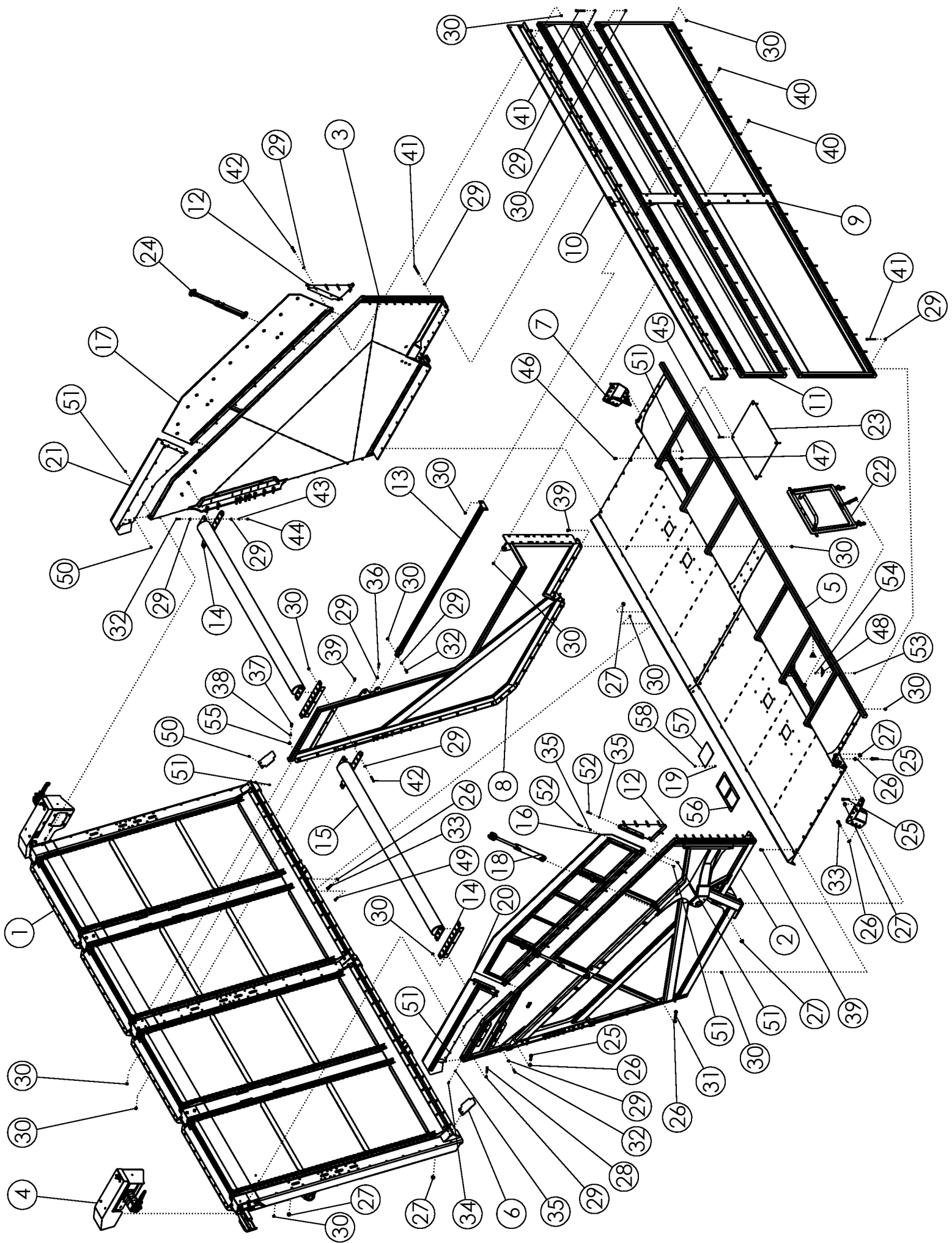
ARCH

ITEM	PART NO.	DESCRIPTION	QTY
1	318040	ASSY-CC1000 ARCH PC	1
2	318615	WLDMT-ARCH UPPER MOUNT (RH ONLY)	1
3	66495	BOLT-HEX: .75 X 2.75 NC GR8 YZP	9
4	35132	WASHER-FLAT: SAE .75 YZP GR8	26
5	1017000	NUT-TOPLOCK: .75 NC GR5 ZP	13
6	318613	WLDMT-ARCH FLAG PIN ZP	2
7	1011609	BOLT-HEX: .50 X 2.00 NC GR5 ZP	2
8	1011584	WASHER-FLAT: SAE .50 ZP	4
9	1027461	NUT-TOPLOCK: .50 NC GR5 ZP	2
10	318402	WLDMT-ARCH TO HITCH MOUNT (RH ONLY)	1
11	1032289	BOLT-HEX: .75 X 3.50 NC GR8 YZP	4



UNLOAD WALL

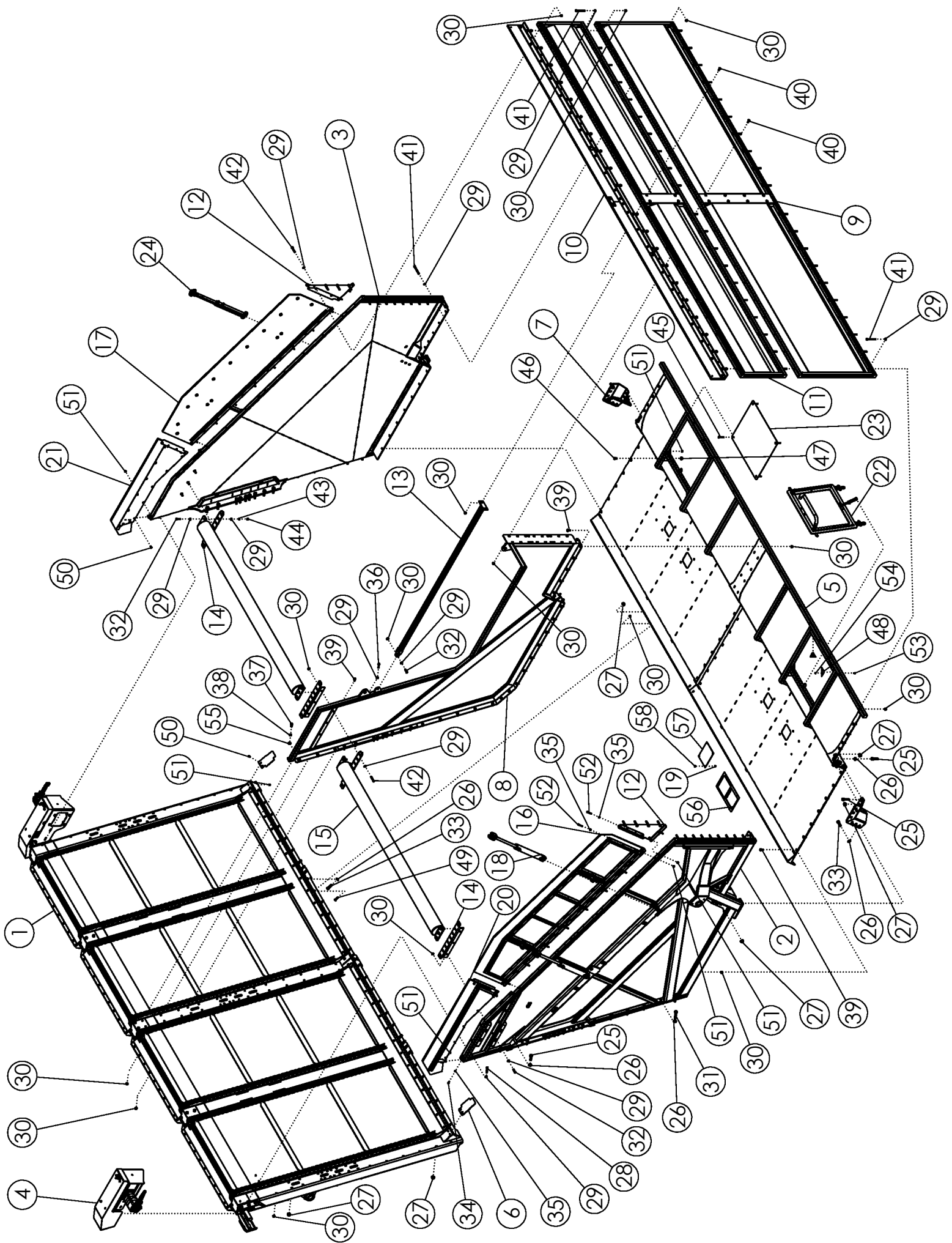
ITEM	PART NO.	DESCRIPTION	QTY
1	318183	WLDMT-UNLOAD WALL FRAME	1
2	318149	WLDMT-UNLOAD PANEL PC	4
3	1011606	BOLT-HEX: .50 X 1.25 NC GR5 ZP	96
4	1011584	WASHER-FLAT: SAE .50 ZP	112
5	303774	NUT-FLANGE: TOPLOCK .50 NC YZP	112
6	318041	WLDMT-CHAIN TENSIONER	4
7	318017	SPROCKET-PINTLE 8T IDLER W/BEARING	8
8	310788	WLDMT-FLOOR TENSIONER ROD ZP	8
9	1011620	NUT-HEX: .75 NC GR2 ZP	8
10	62136	BEARING-TAPPED BASE 2.00"	6
11	1032509	BOLT-HEX: .63 X 1.25 NC GR5 ZP	10
12	1011813	WASHER-LOCK: .63 ZP	10
13	1013004	WASHER-FLAT: SAE .63 ZP	12
14	318027	SHAFT-UNLOAD CHAIN DRIVE 2"	2
15	318016	SPROCKET-SPLIT PINTLE 8T X 2"BORE X 1/2"KEY	8
16	57995	KEY .500 X .500 X 2.000	8
17	319057	RUBBER-CHAIN BOTTOM WPER	4
18	319058	PLATE-CHAIN RUBBER CLAMP	4
19	58679	BOLT-CRG: .38 X 1.50 NC GR5 ZP	36
20	303731	NUT-FLANGE: TOPLOCK .38 NC YZP	96
21	318593	WLDMT-SHAFT COVER	4
22	1011600	BOLT-HEX: .38 X 1.00 NC GR5 ZP	42
23	1014608	WASHER-FLAT: SAE .38 ZP	50
24	318008	PINTLE CHAIN-CC1000	4
25	319210	ASSY-UNLOAD CHAIN WPER	4
26	1011607	BOLT-HEX: .50 X 1.50 NC GR5 ZP	16
27	318790	WLDMT-TANK SKID FRONT	1
28	318791	WLDMT-TANK SKID REAR	1
29	1011623	BOLT-HEX: .63 X 2.00 NC GR5 ZP	8
30	34864	NUT-FLANGE: TOPLOCK .63 NC GR8 ZP	8
31	319052	BOLT-SHOULDER: 1/2"X 1/2" SHLD LENGTH X 3/8"-16 THRD	8
32	1011576	NUT-HEX: .38 NC GR2 ZP	8
33	1011586	WASHER-LOCK: .38 ZP	18
34	319051	ASSY-HOOK ON GRAIN CHUTE	4
35	301025	GROMMET-RUBBER 1.50" ID	2
36	318100	PLATE-UNLOAD TUBE CAP	5
37	319055	RUBBER-UNLOAD WALL BOTTOM SEAL CLAMP	2
38	319056	PLATE-UNLOAD WALL BOTTOM SEAL CLAMP	2
39	1060241	BOLT-CRG: .38 X 2.00 NC GR5 ZP	28
40	318054	BUSHING-IGLIDE Q2 SLEEVE 2.5"IDX2.25"ODX2"L	6
41	318125	O-RING: .210 X 1.975	6
42	318087	BUSHING-IGLIDE Q2 SLEEVE 2.5"IDX2.68"ODX2"L	4
43	318126	O-RING: .210 X 2.475	4
44	65393	LOCKTITE-DEVCON 22425 1.69 OZ	1



TANK

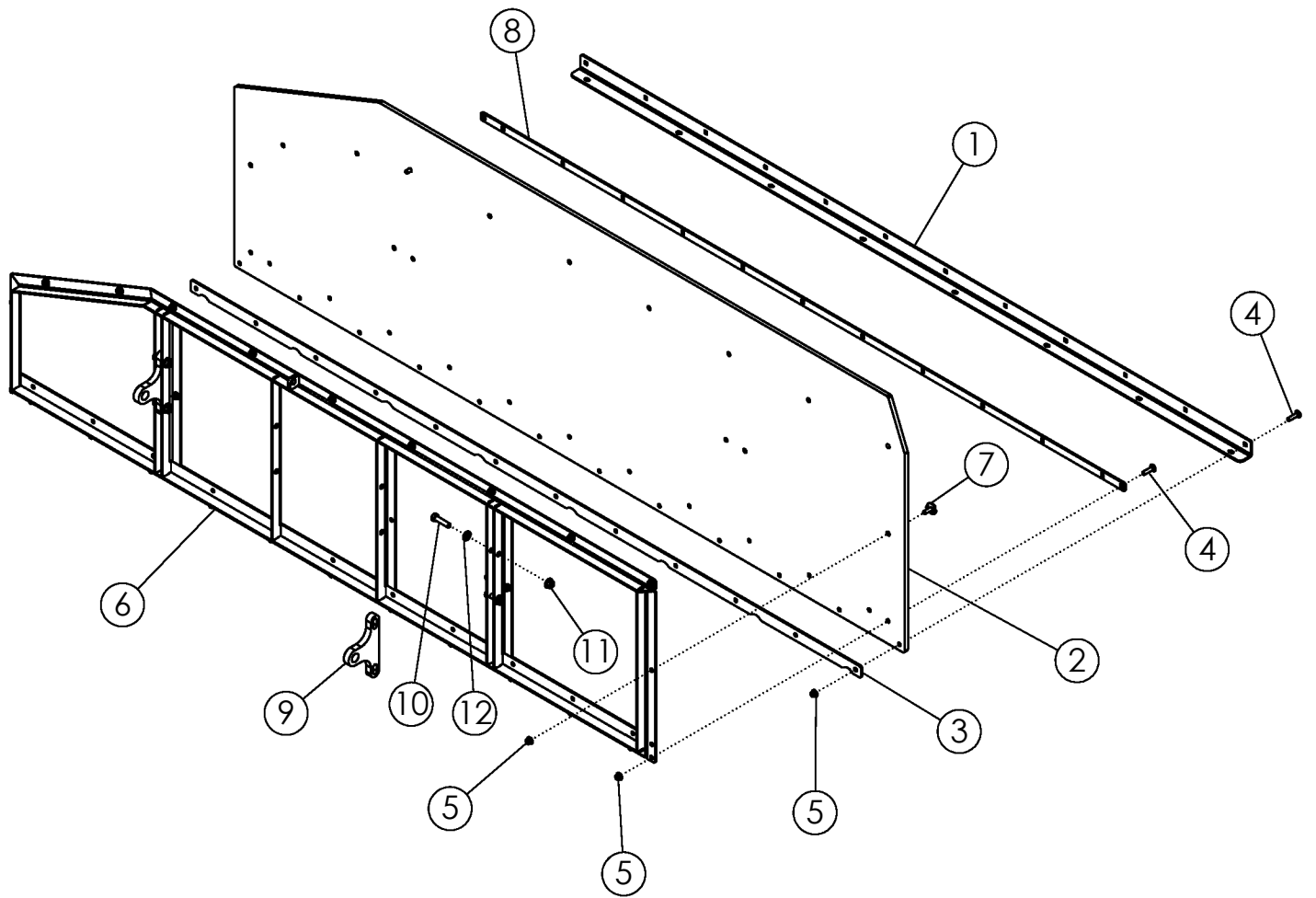
ITEM	PART NO.	DESCRIPTION	QTY
1	318021	ASSY-UNLOAD WALL	1
2	319079	WLDMT-TANK FRONT WALL PC	1
3	319081	WLDMT-TANK REAR WALL PC	1
4	319054	ASSY-FLOOR CHAIN MOTORS	1
5	318174	WLDMT-FLOOR MAIN PC	1
6	319091	PLATE-CORNER COVER	2
7	318539	WLDMT-TANK CORNER SUPPORT	2
8	318243	WLDMT-TANK CENTER PANEL PC	1
9	319192	WLDMT-FILL WALL BASE PC	1
10	318013	ASSY-FILL WALL RUBBER CC1000	1
11	318228	WLDMT-11FT TANK EXTENSION PC	1
12	319284	ASSY-FILL EXTENSION SUPPORT	1
13	318289	WLDMT-EXTENSION WALL SUPPORT	1
14	319191	PLATE-SLIDING TUBE MOUNT	4
15	318044	WLDMT-LOAD RETENTION TUBE	2
16	319250	ASSY-TANK DOOR FRONT	1
17	319251	ASSY-TANK DOOR REAR	1
18	318892	CYLINDER-HYD 2 X 16 (TIE-ROD)	2
19	303778	NUT-FLANGE: TOPLOCK .31 NC YZP	12
20	319272	ASSY-TANK TOP EXTENSION FRONT	1
21	319273	ASSY-TANK TOP EXTENSION REAR	1
22	319302	ASSY-TANK ACCESS DOOR	1
23	319323	PLATE-TANK ACCESS COVER	1
24	319207	ASSY-TOP DOOR LOCK UP BAR	2
25	1032291	BOLT-HEX: .75 X 3.00 NC GR8 YZP	44
26	35132	WASHER-FLAT: SAE .75 YZP GR8	64
27	303775	NUT-FLANGE: TOPLOCK .75 NC YZP	64
28	1011612	BOLT-HEX: .50 X 3.50 NC GR5 ZP	12
29	1011584	WASHER-FLAT: SAE .50 ZP	130
30	303774	NUT-FLANGE: TOPLOCK .50 NC YZP	218
31	319346	BOLT-HEX: .75 X 4.50 NC GR8 YZP	4
32	1011609	BOLT-HEX: .50 X 2.00 NC GR5 ZP	19
33	62096	BOLT-HEX: .75 X 2.50 NC GR8 ZP	16
34	1011600	BOLT-HEX: .38 X 1.00 NC GR5 ZP	4
35	1014608	WASHER-FLAT: SAE .38 ZP	24
36	62148	BOLT-HEX: .50 X 2.50 NC GR8 ZP	18
37	1014349	BOLT-HEX: .63 X 1.50 NC GR5 ZP	2
38	1011813	WASHER-LOCK: .63 ZP	2
39	1011660	BOLT-CRG: .50 X 1.50 NC GR5 ZP	74

CONTINUED



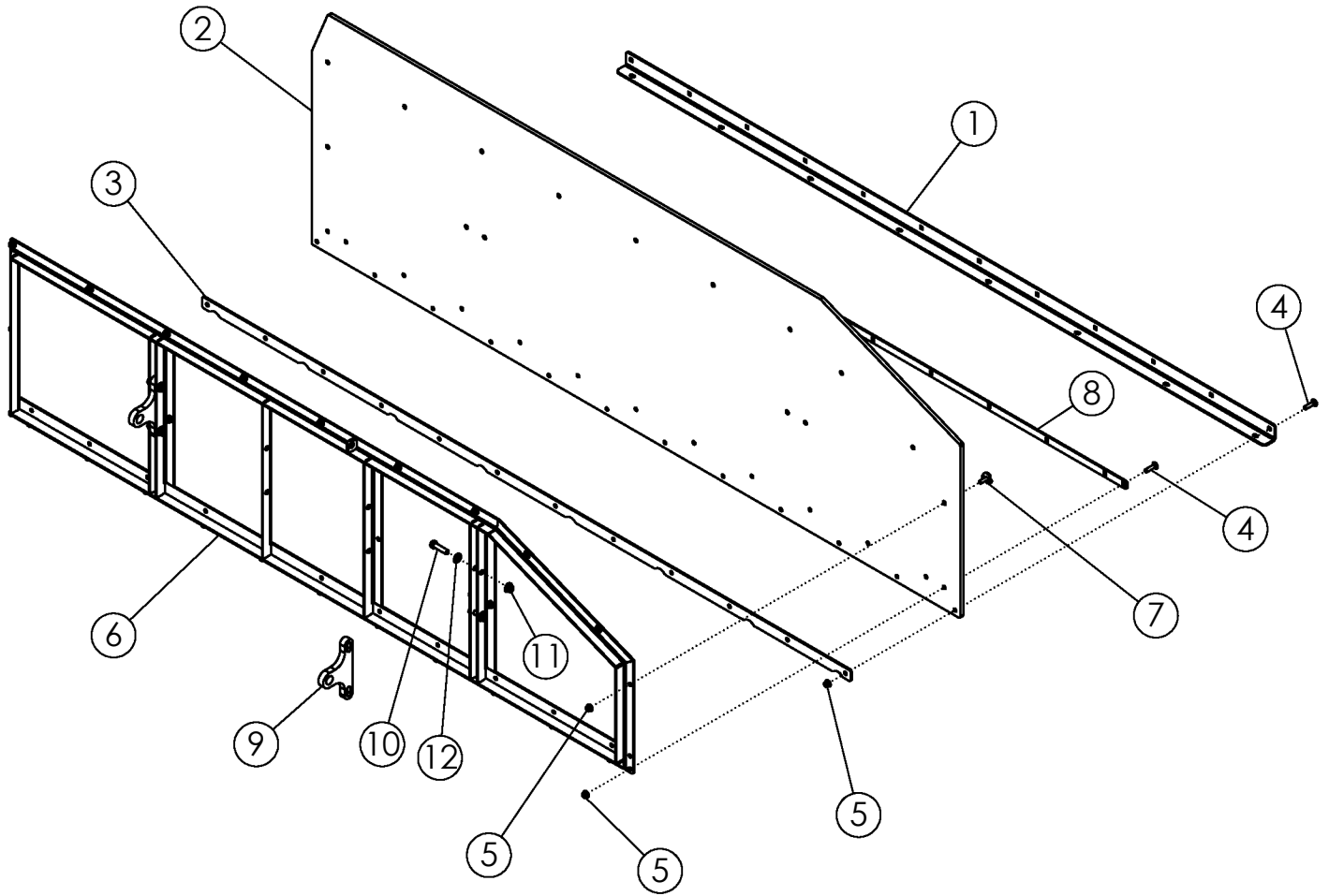
TANK (CONTINUED)

ITEM	PART NO.	DESCRIPTION	QTY
40	1023854	BOLT-CRG: .50 X 1.25 NC GR5 ZP	12
41	1011618	BOLT-HEX: .50 X 5.00 NC GR5 ZP	58
42	1011611	BOLT-HEX: .50 X 3.00 NC GR5 ZP	11
43	1011581	WASHER-LOCK: .50 ZP	12
44	1011577	NUT-HEX: .50 NC GR2 ZP	12
45	1030879	BOLT-CRG: .38 X 3.00 NC GR5 ZP	4
46	1032275	BOLT-HEX: .63 X 1.00 NC GR5 ZP	2
47	34864	NUT-FLANGE: TOPLOCK .63 NC GR8 ZP	2
48	319316	PLATE-RUBBER DRAWLATCH CATCH	2
49	44122	BOLT-CRG: .50 X 2.00 NC GR5 ZP	26
50	59488	BOLT-CRG: .38 X 1.00 NC GR5 ZP	14
51	303731	NUT-FLANGE: TOPLOCK .38 NC YZP	42
52	1013239	BOLT-HEX: .38 X 3.00 NC GR5 ZP	20
53	68602	BOLT-CRG: .25 X .75 NC GR5 ZP	4
54	303777	NUT-FLANGE: TOPLOCK .25 NC YZP	4
55	1013004	WASHER-FLAT: SAE .63 ZP	2
56	319231	ASSY-TANK SLIDE GATE	2
57	319232	PLATE-TANK FLOOR COVER	2
58	65702	BOLT-CRG: .31 X .75 NC GR5 ZP	12



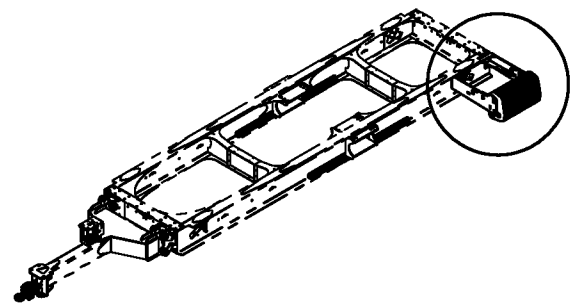
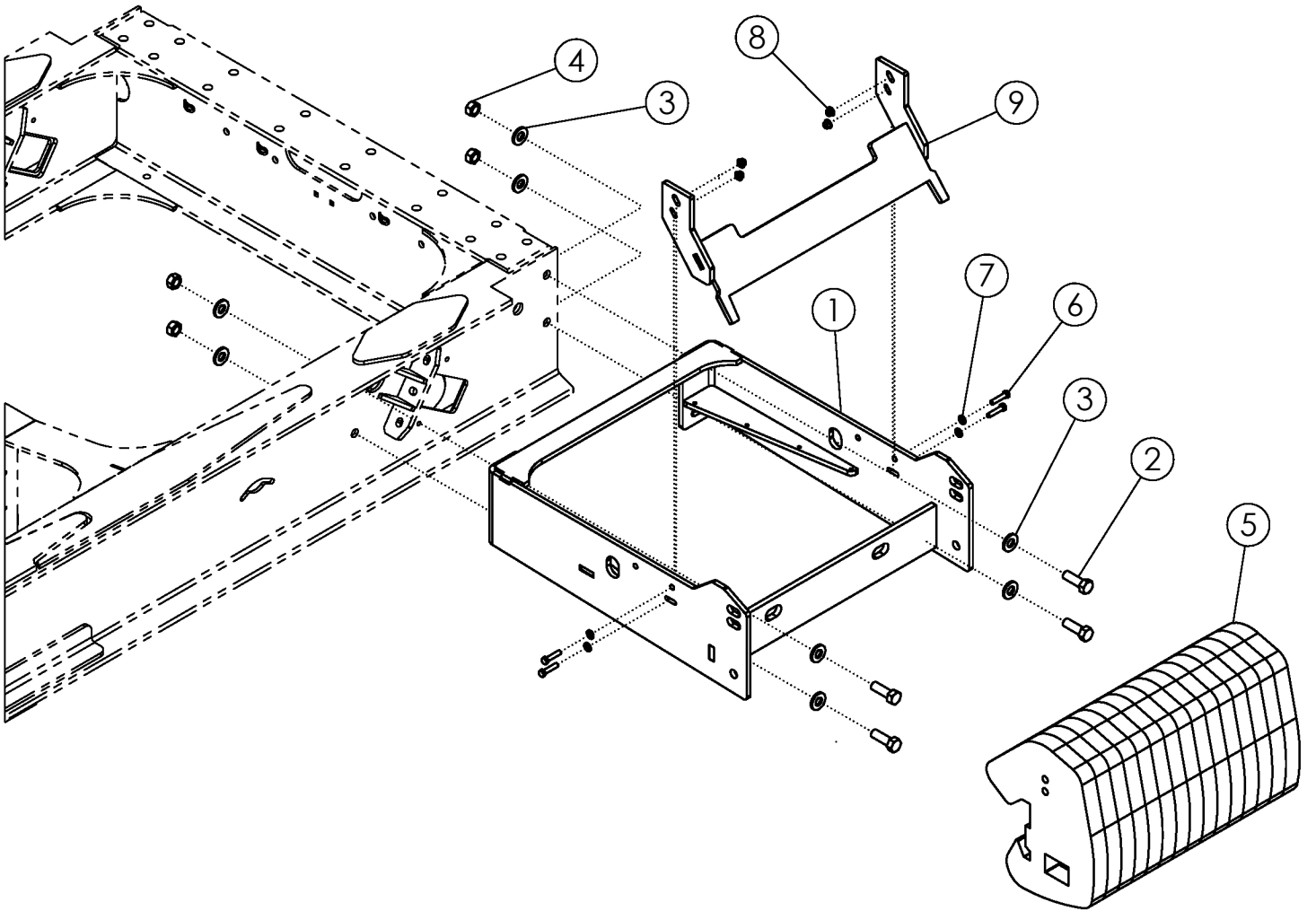
TANK DOOR FRONT

ITEM	PART NO.	DESCRIPTION	QTY
1	319252	PLATE-DOOR MOUNT	1
2	319253	RUBBER-CC1000 TANK DOOR	1
3	319254	PLATE-DOOR CLAMP	1
4	58679	BOLT-CRG: .38 X 1.50 NC GR5 ZP	25
5	303731	NUT-FLANGE: TOPLOCK .38 NC YZP	40
6	319255	WLDMT-TANK DOOR FRAME FRONT	1
7	319238	BOLT-ELEVATOR: FANGED .38 X 1.25 NC ZP	15
8	319269	PLATE-DOOR FRAME CLAMP	1
9	319270	PLATE-DOOR FRAME CYL LUG	2
10	1011609	BOLT-HEX: .50 X 2.00 NC GR5 ZP	4
11	303774	NUT-FLANGE: TOPLOCK .50 NC YZP	4
12	1011584	WASHER-FLAT: SAE .50 ZP	4



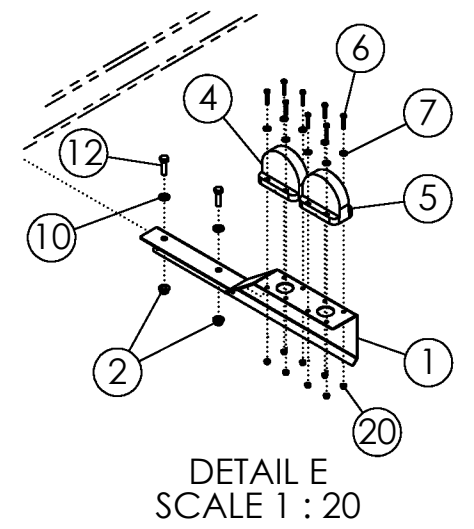
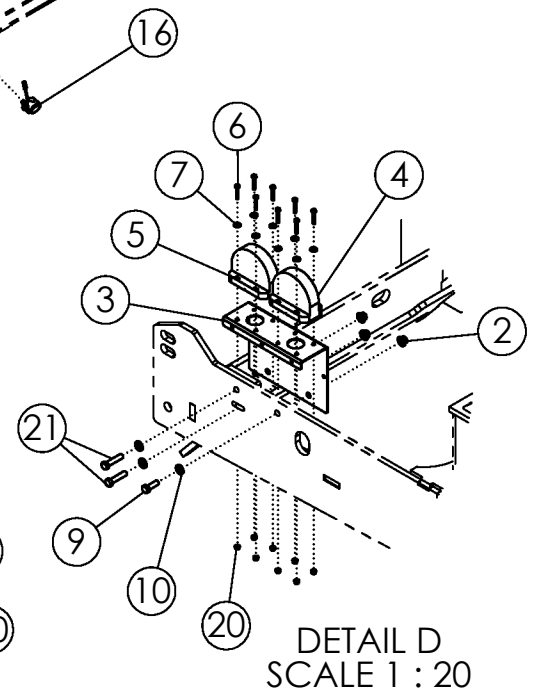
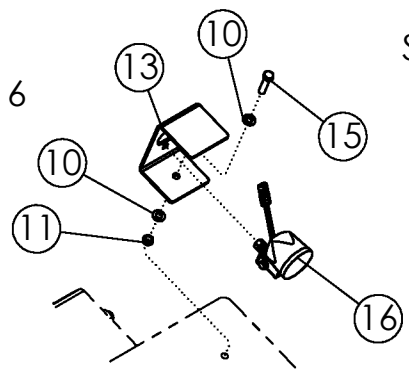
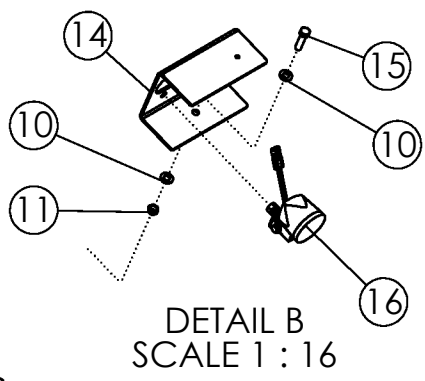
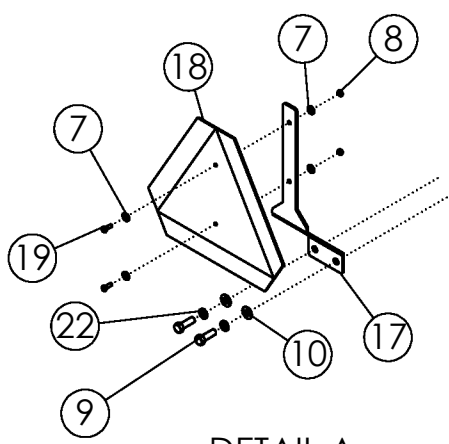
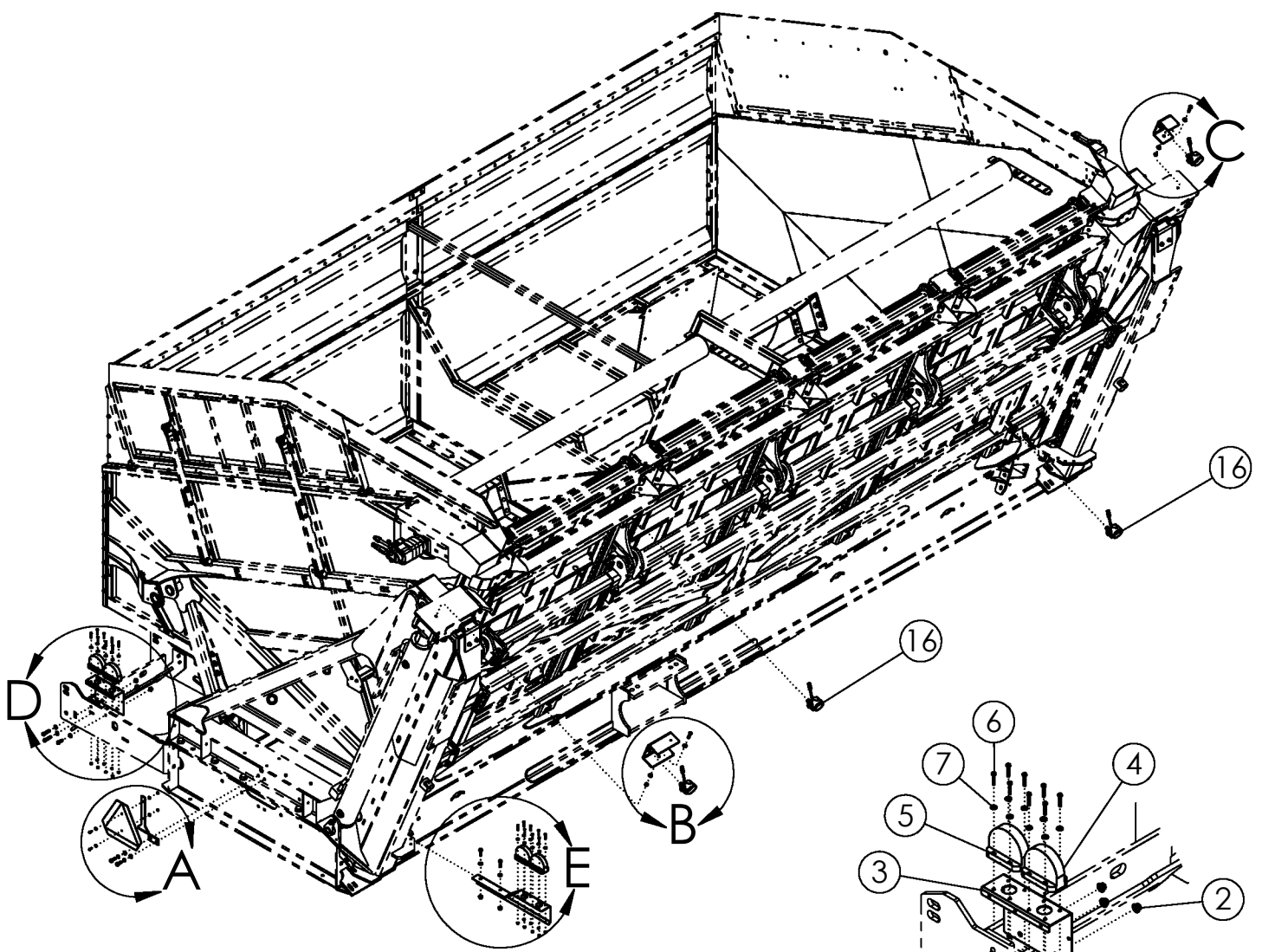
TANK DOOR REAR

ITEM	PART NO.	DESCRIPTION	QTY
1	319252	PLATE-DOOR MOUNT	1
2	319253	RUBBER-CC1000 TANK DOOR	1
3	319254	PLATE-DOOR CLAMP	1
4	58679	BOLT-CRG: .38 X 1.50 NC GR5 ZP	15
5	303731	NUT-FLANGE: TOPLOCK .38 NC YZP	40
6	319256	WLDMT-TANK DOOR FRAME REAR	1
7	319238	BOLT-ELEVATOR: FANGED .38 X 1.25 NC ZP	15
8	319269	PLATE-DOOR FRAME CLAMP	1
9	319270	PLATE-DOOR FRAME CYL LUG	2
10	1011609	BOLT-HEX: .50 X 2.00 NC GR5 ZP	4
11	303774	NUT-FLANGE: TOPLOCK .50 NC YZP	4
12	1011584	WASHER-FLAT: SAE .50 ZP	4



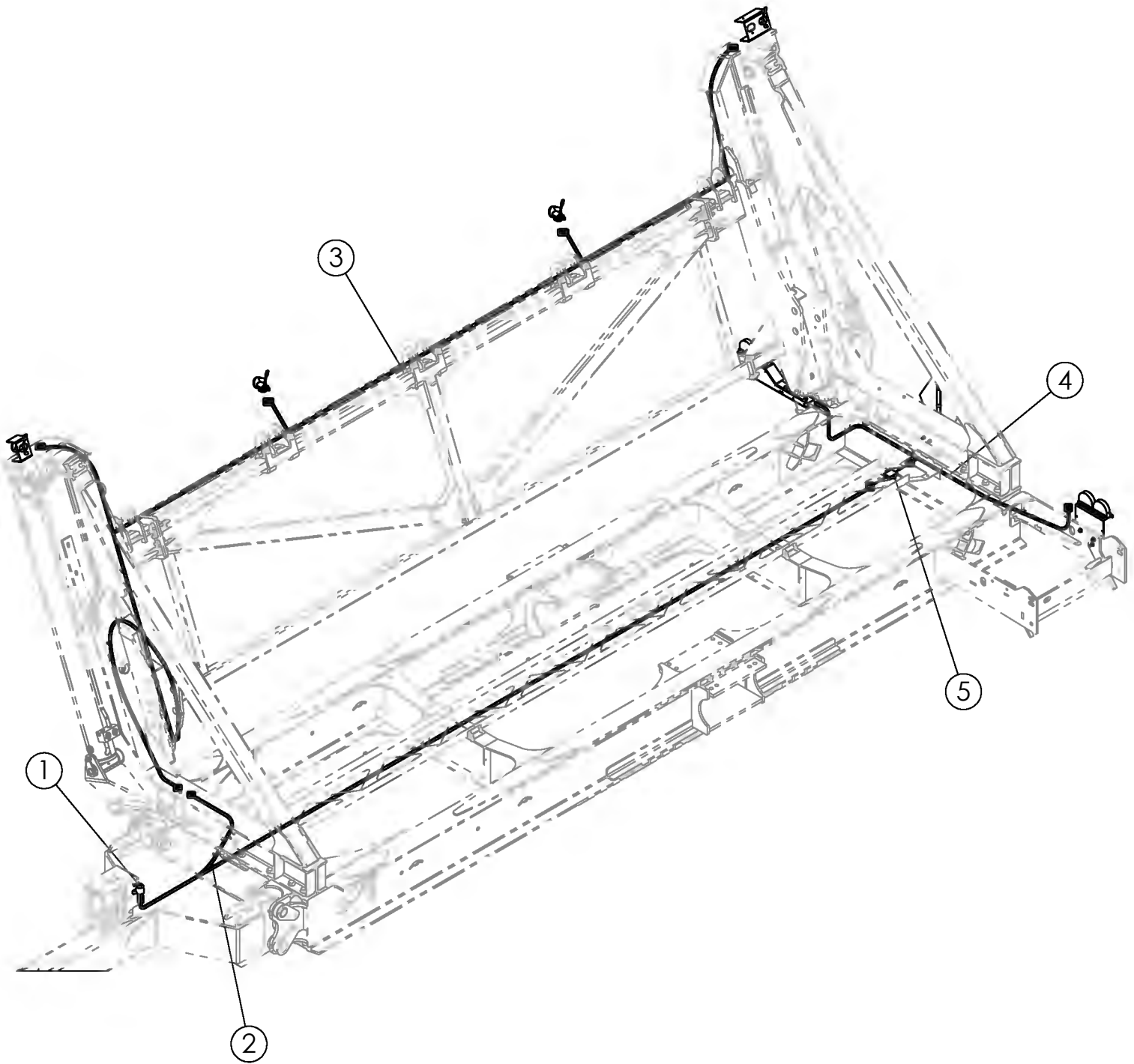
WEIGHT KIT

ITEM	PART NO.	DESCRIPTION	QTY
1	318997	WLDMT-WEIGHT BRACKET	1
2	1018008	BOLT-HEX: 1.00 X 3.00 NC GR8 ZP	4
3	1030728	WASHER-FLAT: SAE 1.00 XP GR8	8
4	1016969	NUT-TOPLOCK: 1.00 NC GR5 ZP	4
5	316633	WEIGHT-100 LB FOR SILAGE	15
6	1017708	BOLT-HEX: .50 X 2.25 NC GR5 ZP	4
7	1011584	WASHER-FLAT: SAE .50 ZP	4
8	303774	NUT-FLANGE: TOPLOCK .50 NC YZP	4
9	319349	WLDMT-WEIGHT CLAMP CC1000	1



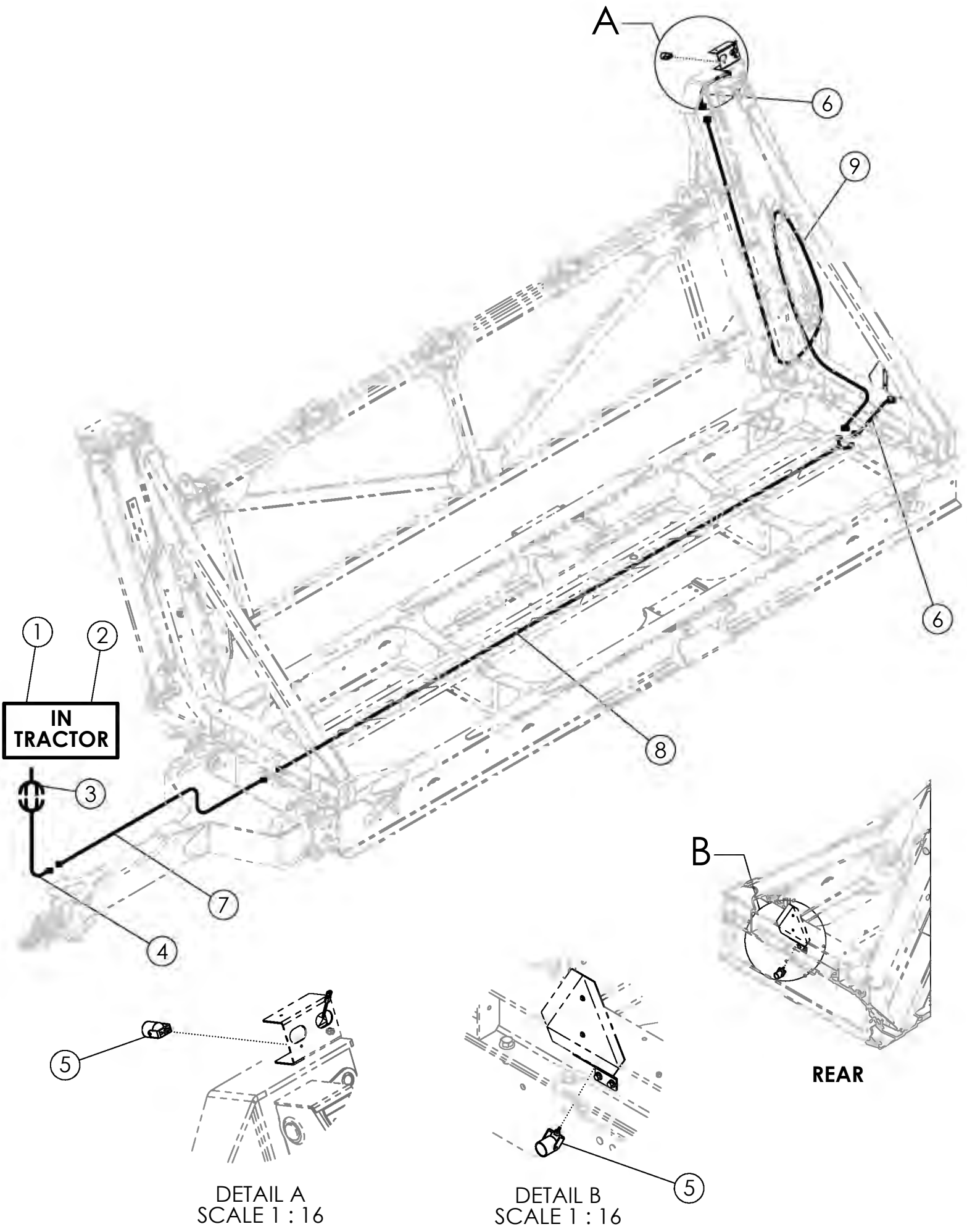
LIGHT KIT

ITEM	PART NO.	DESCRIPTION	QTY
1	319225	WLDMT-LIGHT BRACKET RH	1
2	303774	NUT-FLANGE: TOPLOCK .50 NC YZP	5
3	319182	PLATE-LIGHT MOUNT LEFT	1
4	305218	LIGHT-RED LAMP SAE	2
5	305217	LIGHT-YELLOW LAMP SAE	2
6	1019550	BOLT-HEX: .25 X 1.50 NC GR5 ZP	16
7	1020416	WASHER-FLAT: .25 ZP	20
8	1030946	NUT-TOPLOCK: .25 NC GR5 ZP	2
9	1011607	BOLT-HEX: .50 X 1.50 NC GR5 ZP	3
10	1011584	WASHER-FLAT: SAE .50 ZP	11
11	1027461	NUT-TOPLOCK: .50 NC GR5 ZP	2
12	1011608	BOLT-HEX: .50 X 1.75 NC GR5 ZP	2
13	319003	PLATE-WORK LIGHT BRACKET FRONT	1
14	318763	PLATE-CAMERA/LIGHT MOUNT	1
15	1011609	BOLT-HEX: .50 X 2.00 NC GR5 ZP	2
16	301294	LIGHT-GROTE T26 NEAR FLOOD	4
17	318764	PLATE-SMV SIGN MOUNT	1
18	65329	SIGN-SMV ASAE S276.5	1
19	1011595	BOLT-HEX: .25 X .75 NC GR5 ZP	2
20	303777	NUT-FLANGE: TOPLOCK .25 NC YZP	16
21	1017708	BOLT-HEX: .50 X 2.25 NC GR5 ZP	2
22	1011581	WASHER-LOCK: .50 ZP	2



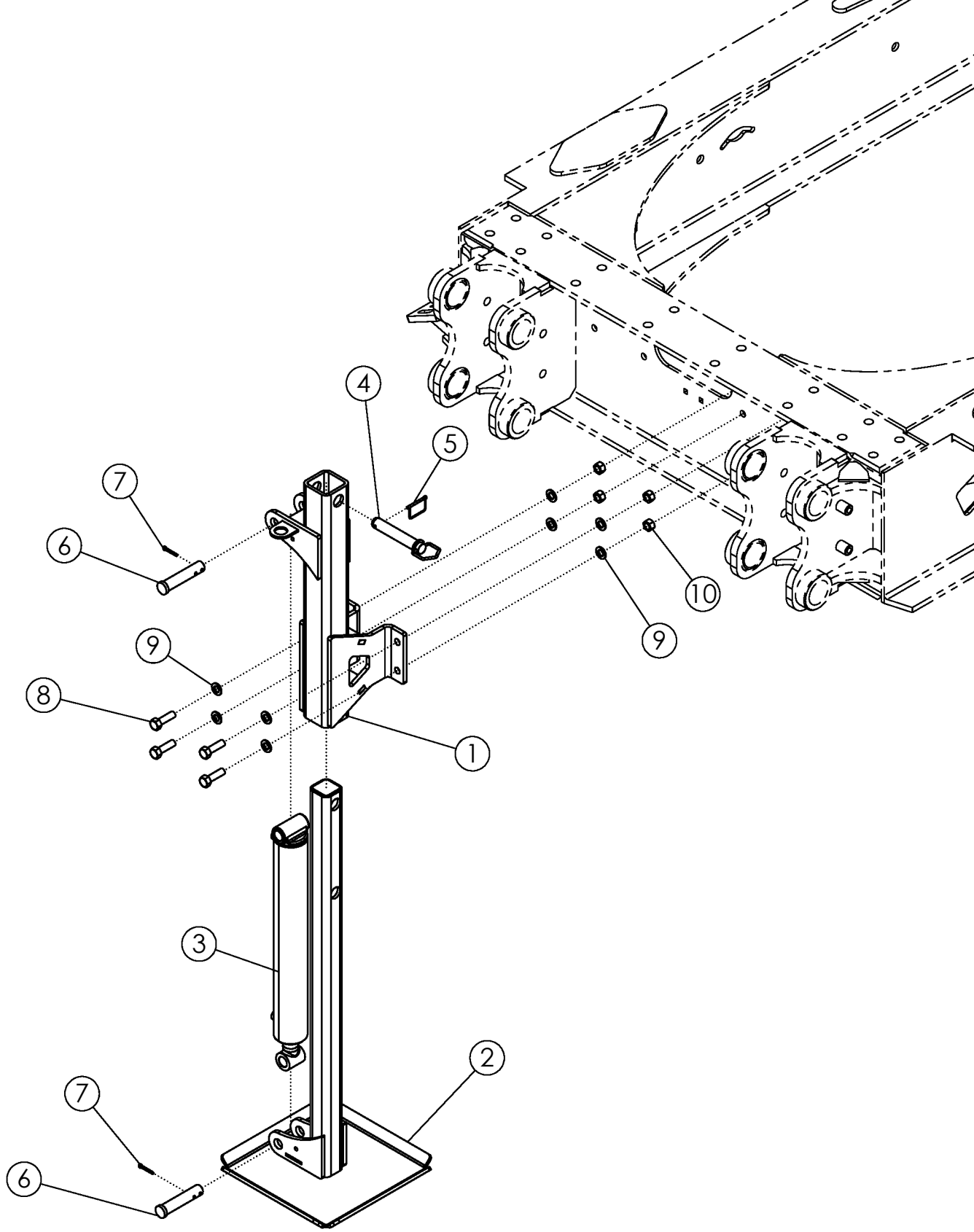
LIGHT KIT HARNESES

ITEM	PART NO.	DESCRIPTION	QTY
1	223329	HOLDER-LIGHT PLUG	1
2	318073	HARNESS-CC1000 MAIN	1
3	318120	HARNESS-CC1000 WORK LIGHTS	1
4	318119	HARNESS-CC1000 HAZARD	1
5	305216	HARNESS-FLASHER MODULE	1



CAMERA KIT W/ HARNESSES

ITEM	PART NO.	DESCRIPTION	QTY
1	316183	MONITOR-9" CAMERA MONITOR (DAKOTA MICRO)	1
2	316185	REMOTE-MONITOR REMOTE (DAKOTA MICRO)	1
3	316184	HARNESS-MONITOR CABLES (DAKOTA MICRO)	1
4	319512	CABLE-CAMERA 20FT TRACTOR	1
5	316180	KT-CAMERA W/MOUNT (DAKOTA MICRO)	2
6	316181	HARNESS-36" CAMERA TAIL CABLE (DAKOTA MICRO)	2
7	319497	CABLE-CAMERA 16FT HITCH	1
8	319499	CABLE-CAMERA 25FT FRAME TRAY	1
9	319498	CABLE-CAMERA 20FT 6CFLEX CABLE	1

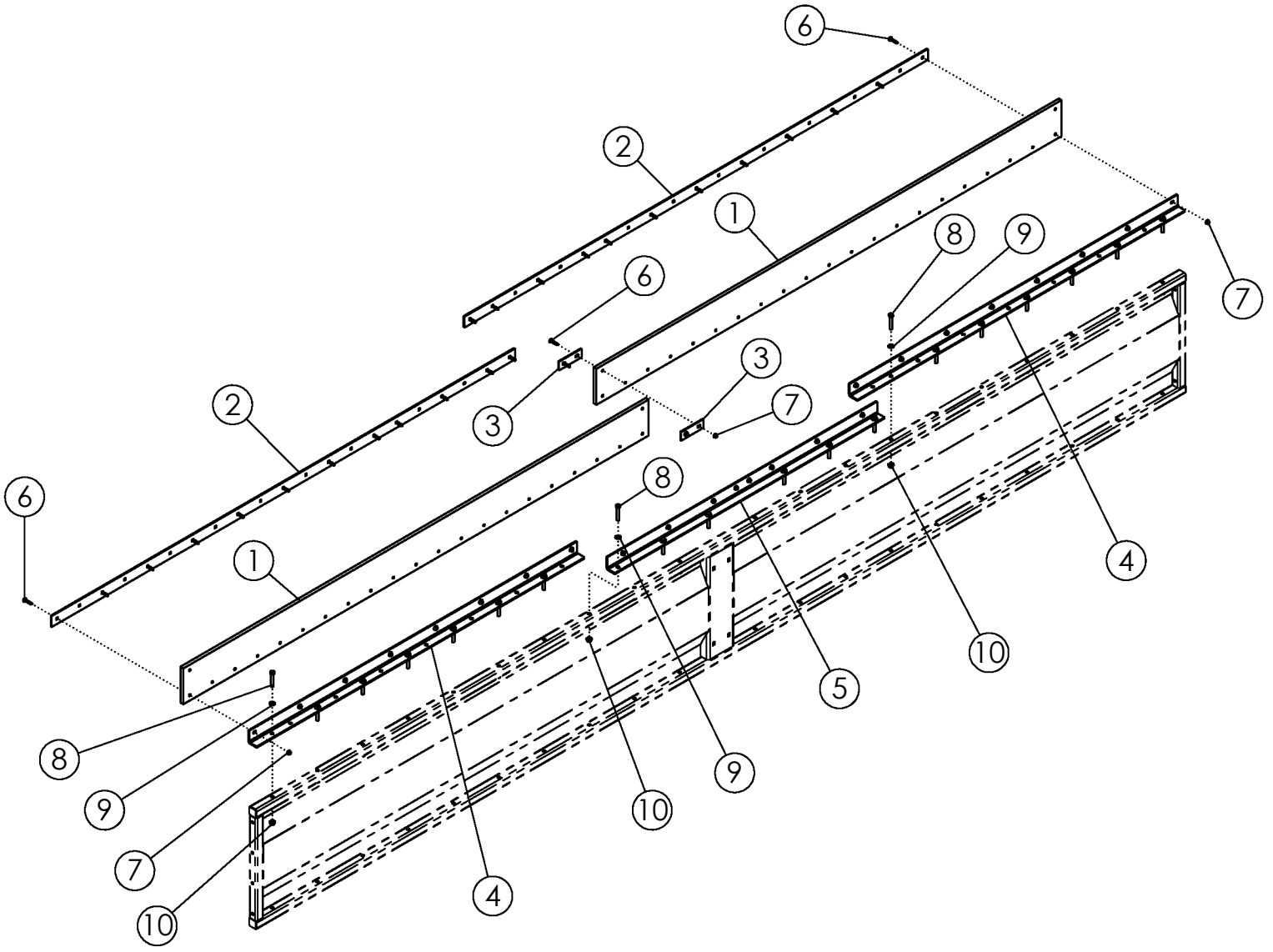


HYDRAULIC JACK

ITEM	PART NO.	DESCRIPTION	QTY
1	318082	WLDMT-JACK HOUSING	1
2	318085	WLDMT-JACK ARM	1
3	318102	CYLINDER-HYD 3.5 X 24	1
4	318872	PIN-HYD JACK PIN	1
5	35970	PIN-SNAP .313 X 2.5	1
6	319001	PIN-CLEVIS 1.250 X 6.000	2
7	1016944	PIN-COTTER: .25 X 2.00 ZP	2
8	1016598	BOLT-HEX: .75 X 2.50 NC GR5 ZP	4
9	1012634	WASHER-FLAT: SAE .75 ZP	8
10	1017000	NUT-TOPLOCK: .75 NC GR5 ZP	4

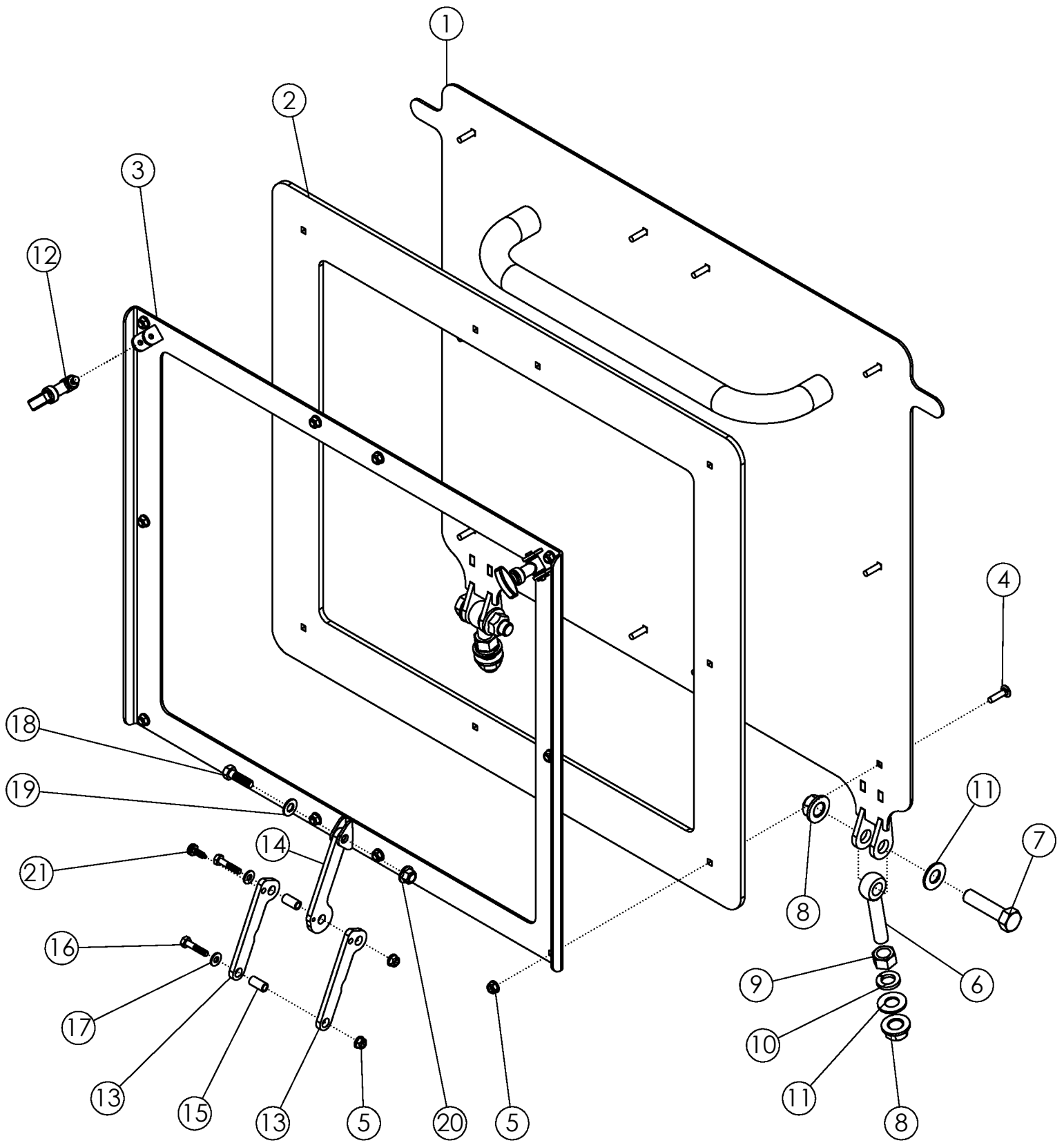
FLOOR CHAIN MOTORS

ITEM	PART NO.	DESCRIPTION	QTY
1	319241	WLDMT-MOTOR MOUNT FRONT	1
2	319242	WLDMT-MOTOR MOUNT REAR	1
3	58635	BOLT-CRG: .63 X 2.00 NC GR5 ZP	8
4	34864	NUT-FLANGE: TOPLOCK .63 NC GR8 ZP	8
5	1013918	BOLT-HEX: .63 X 1.75 NC GR5 ZP	2
6	34864	NUT-FLANGE: TOPLOCK .63 NC GR8 ZP	2
7	1013004	WASHER-FLAT: SAE .63 ZP	2
8	319074	ASSY-CC1000 HYD MOTOR	2
9	44122	BOLT-CRG: .50 X 2.00 NC GR5 ZP	8
10	303774	NUT-FLANGE: TOPLOCK .50 NC YZP	8
11	58982	FTG-ADAPTER: 16MB-12MJ	2
12	300245	FTG-ADAPTER: 4MB-6MJ	2
13	301538	FTG-ELBOW: 6MJ-6FJX-45	2
14	319089	FTG-ADAPTER: 16MB-12MB	2
15	319088	VALVE-CHECK: 12FB-12FB	2
16	65918	FTG-ADAPTER: 12MB-12MJ	2
17	62014	FTG-ELBOW: 12MJ-12FJX-45	2
18	63471	ASSY-TUBE LINE .75 X 5.25 0-0	2
19	319334	FTG-ELBOW: 12MJ-12MJ-45	2
20	318024	SPROCKET H80-2-Q23H	2
21	58248	HUB Q2 2"ID 1/2"KEY	2
22	319031	KEY .500 X .500 X 4.000	2
23	318050	CHAIN-ROLLER 80H-2R-054 (54IN)-PEER	2
24	318732	WLDMT-MOTOR CHAIN TENSIONER	2
25	56334	SPROCKET-IDLER 8012	4
26	1012059	BOLT-HEX: .75 X 3.00 NC GR5 ZP	2
27	1017000	NUT-TOPLOCK: .75 NC GR5 ZP	2
28	1032525	BOLT-HEX: .50 X 8.00 NC GR5 ZP	2
29	1011581	WASHER-LOCK: .50 ZP	2
30	1011584	WASHER-FLAT: SAE .50 ZP	4
31	319078	BOLT-CRG: .50 X 4.00 NC GR5 ZP	2
32	1011577	NUT-HEX: .50 NC GR2 ZP	4
33	318692	WLDMT-MOTOR SHIELD FRONT	1
34	318693	WLDMT-MOTOR SHIELD REAR	1
35	1011600	BOLT-HEX: .38 X 1.00 NC GR5 ZP	6
36	1011586	WASHER-LOCK: .38 ZP	6
37	1014608	WASHER-FLAT: SAE .38 ZP	6



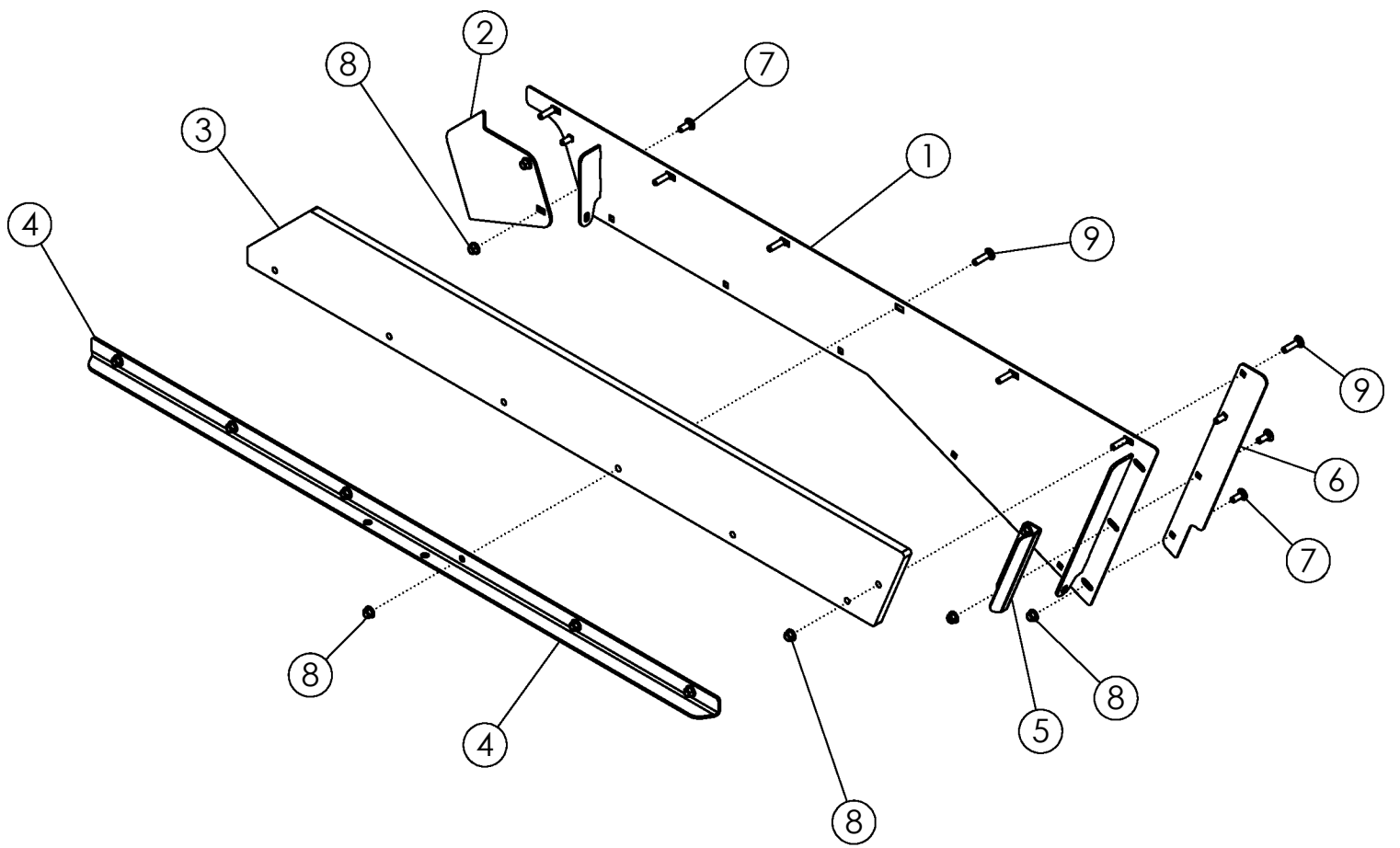
FILL WALL RUBBER

ITEM	PART NO.	DESCRIPTION	QTY
1	318046	RUBBER-TOP FILL STRIP	2
2	318449	PLATE-FILL SIDE RUBBER BACKING STRIP	2
3	318857	PLATE-TOP FILL RUBBER CONNECTION	2
4	319189	PLATE-FILL WALL EXTENSION RUBBER MOUNT END	2
5	319190	PLATE-FILL WALL EXTENSION RUBBER MOUNT MID	1
6	340046	BOLT-CRG: .38 X 1.75 NC GR5 ZP	26
7	303731	NUT-FLANGE: TOPLOCK .38 NC YZP	26
8	1011611	BOLT-HEX: .50 X 3.00 NC GR5 ZP	20
9	1011584	WASHER-FLAT: SAE .50 ZP	20
10	303774	NUT-FLANGE: TOPLOCK .50 NC YZP	20



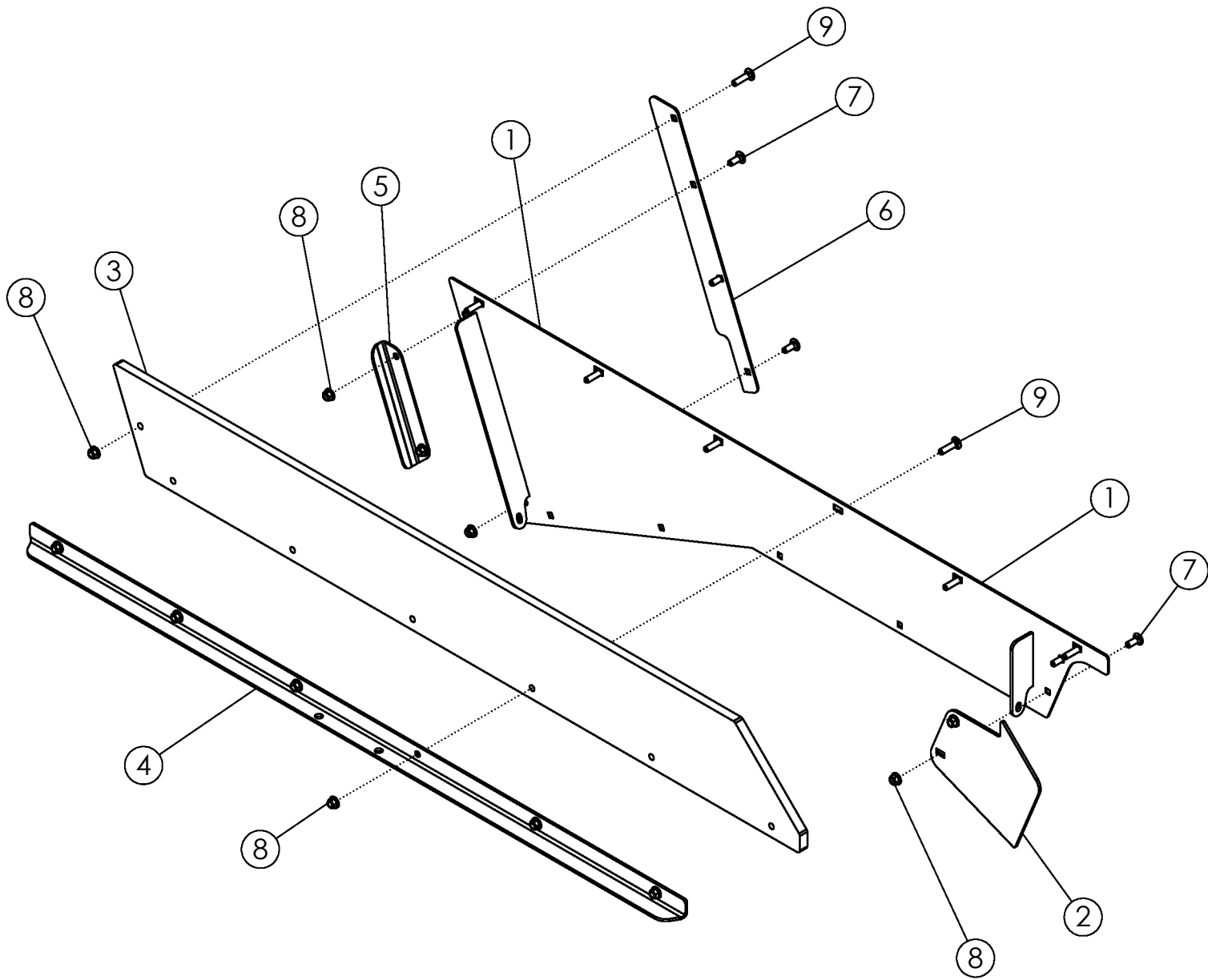
TANK ACCESS DOOR

ITEM	PART NO.	DESCRIPTION	QTY
1	319303	WLDMT-TANK ACCESS DOOR	1
2	319306	RUBBER-TANK ACCESS DOOR	1
3	319307	WLDMT-TANK DOOR SUPPORT	1
4	1017254	BOLT-CRG: .25 X 1.00 NC GR5 ZP	10
5	303777	NUT-FLANGE: TOPLOCK .25 NC YZP	12
6	51691	EYEBOLT .63 X 3.25 ZP	2
7	1013023	BOLT-HEX: .63 X 2.50 NC GR5 ZP	2
8	34864	NUT-FLANGE: TOPLOCK .63 NC GR8 ZP	4
9	1011578	NUT-HEX: .63 NC GR2 ZP	2
10	1011813	WASHER-LOCK: .63 ZP	2
11	1013004	WASHER-FLAT: SAE .63 ZP	4
12	319315	LATCH-SMALL RUBBER DRAW LATCH	2
13	319311	PLATE-LOCK UP BAR W/THREAD HOLE ZP	2
14	319312	PLATE-LOCK UP BAR ZP	1
15	319313	TUBE-LOCK UP SPACER ZP	2
16	1013940	BOLT-HEX: .25 X 1.25 NC GR5 ZP	2
17	0100979	WASHER-FLAT: SAE .25 ZP	2
18	1011601	BOLT-HEX: .38 X 1.25 NC GR5 ZP	1
19	1014608	WASHER-FLAT: SAE .38 ZP	1
20	303731	NUT-FLANGE: TOPLOCK .38 NC YZP	1
21	319314	LATCH-SPRING LOADED PIN WITH THREAD LOCKER	1



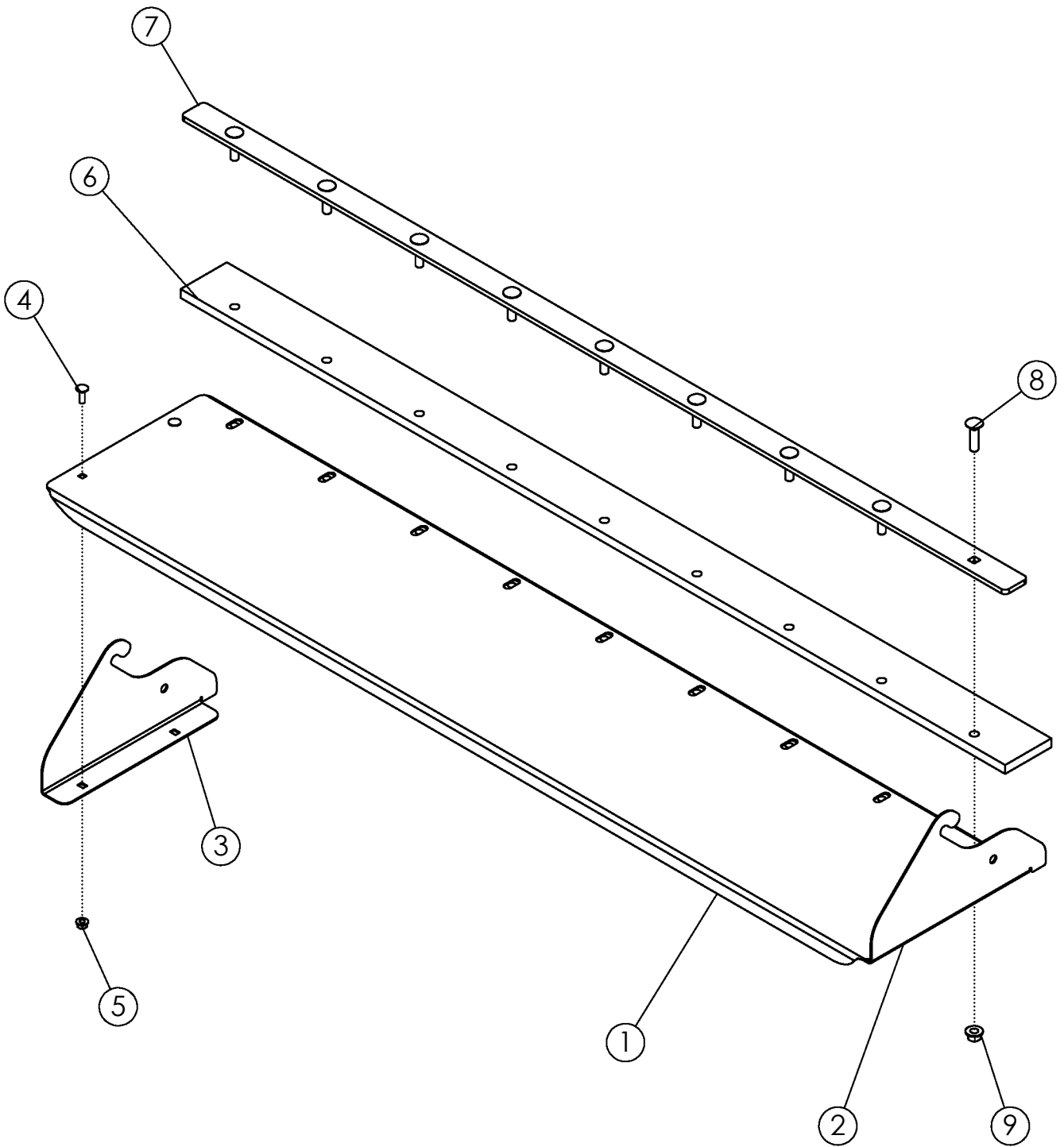
TANK TOP EXTENSION FRONT

ITEM	PART NO.	DESCRIPTION	QTY
1	319274	WLDMT-TANK TOP EXTENSION FRONT	1
2	319279	PLATE-EXTENSION END	1
3	319280	RUBBER-TANK TOP EXTENSION	1
4	319281	PLATE-TOP EXTENSION CLAMP	1
5	319282	PLATE-DOOR GUIDE TOP	1
6	319283	PLATE-DOOR STOP TOP	1
7	59488	BOLT-CRG: .38 X 1.00 NC GR5 ZP	5
8	303731	NUT-FLANGE: TOPLOCK .38 NC YZP	12
9	58679	BOLT-CRG: .38 X 1.50 NC GR5 ZP	7



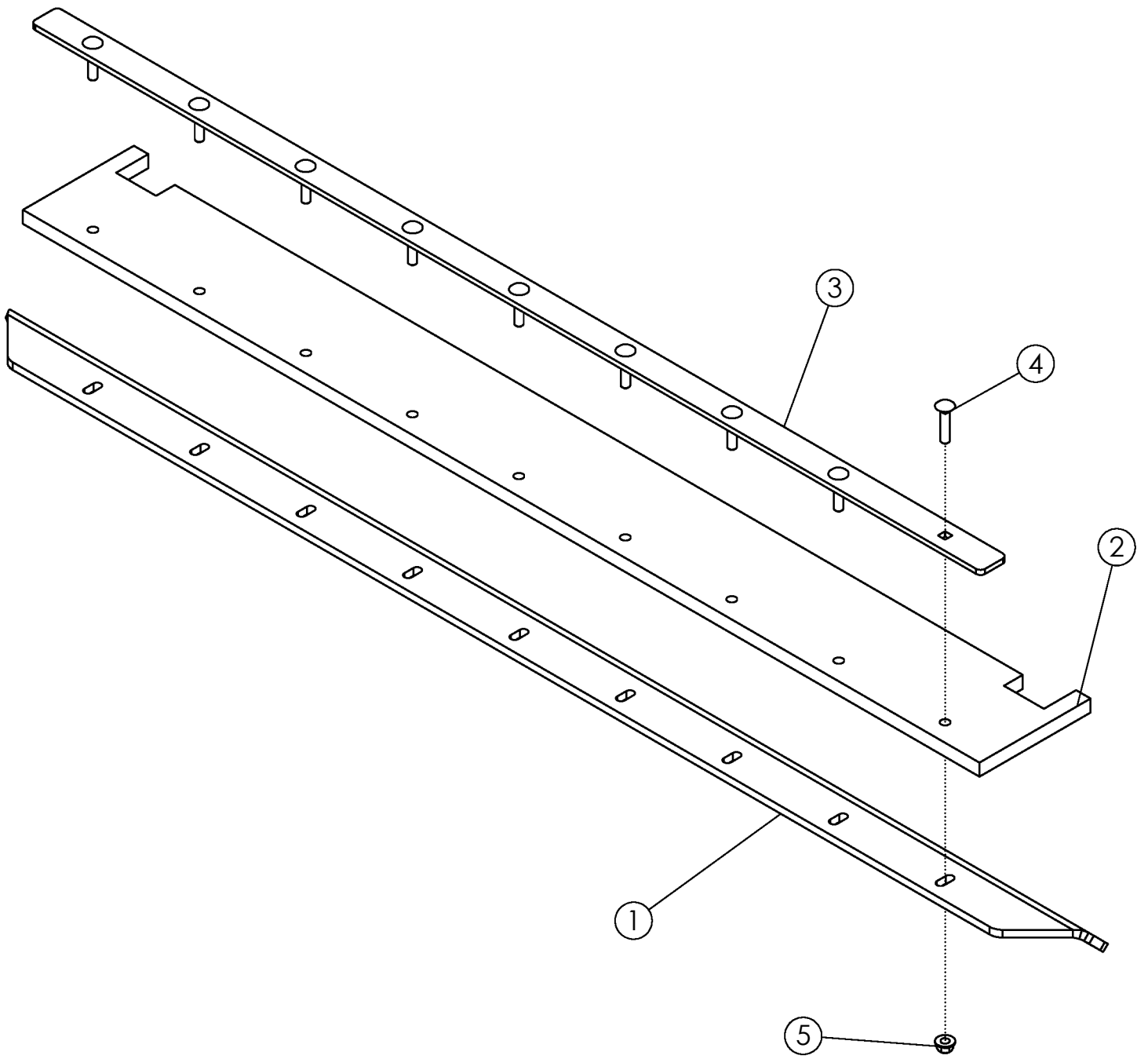
TANK TOP EXTENSION REAR

ITEM	PART NO.	DESCRIPTION	QTY
1	319275	WLDMT-TANK TOP EXTENSION REAR	1
2	319279	PLATE-EXTENSION END	1
3	319280	RUBBER-TANK TOP EXTENSION	1
4	319281	PLATE-TOP EXTENSION CLAMP	1
5	319282	PLATE-DOOR GUIDE TOP	1
6	319283	PLATE-DOOR STOP TOP	1
7	59488	BOLT-CRG: .38 X 1.00 NC GR5 ZP	5
8	303731	NUT-FLANGE: TOPLOCK .38 NC YZP	12
9	58679	BOLT-CRG: .38 X 1.50 NC GR5 ZP	7



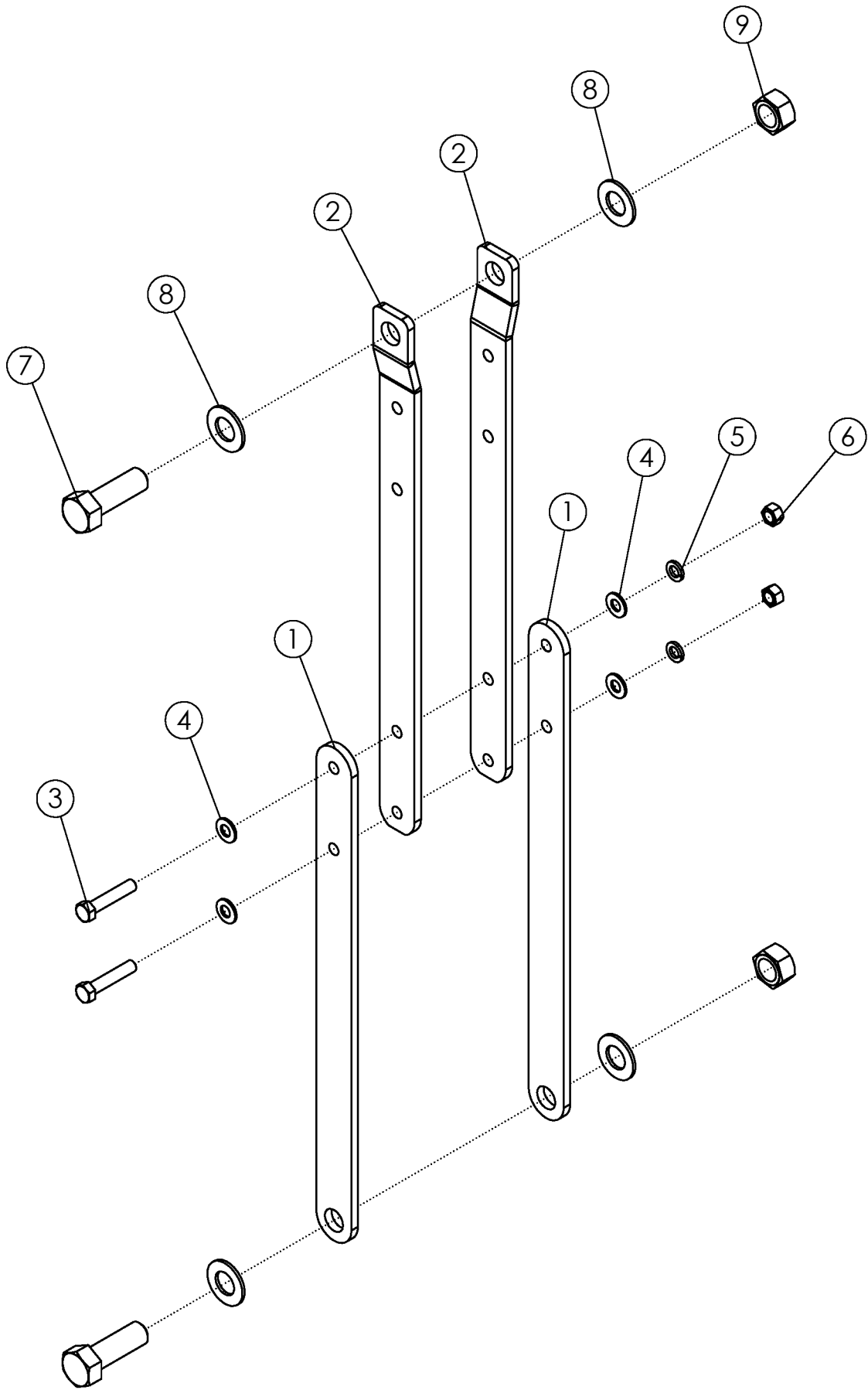
HOOK ON GRAIN CHUTE

ITEM	PART NO.	DESCRIPTION	QTY
1	319050	PLATE-HOOK ON GRAIN CHUTE	1
2	319068	PLATE-GRAIN CHUTE SIDE RH	1
3	319069	PLATE-GRAIN CHUTE SIDE LH	1
4	68602	BOLT-CRG: .25 X .75 NC GR5 ZP	4
5	303777	NUT-FLANGE: TOPLOCK .25 NC YZP	4
6	319057	RUBBER-CHAIN BOTTOM WIPER	1
7	319058	PLATE-CHAIN RUBBER CLAMP	1
8	58679	BOLT-CRG: .38 X 1.50 NC GR5 ZP	9
9	303731	NUT-FLANGE: TOPLOCK .38 NC YZP	9



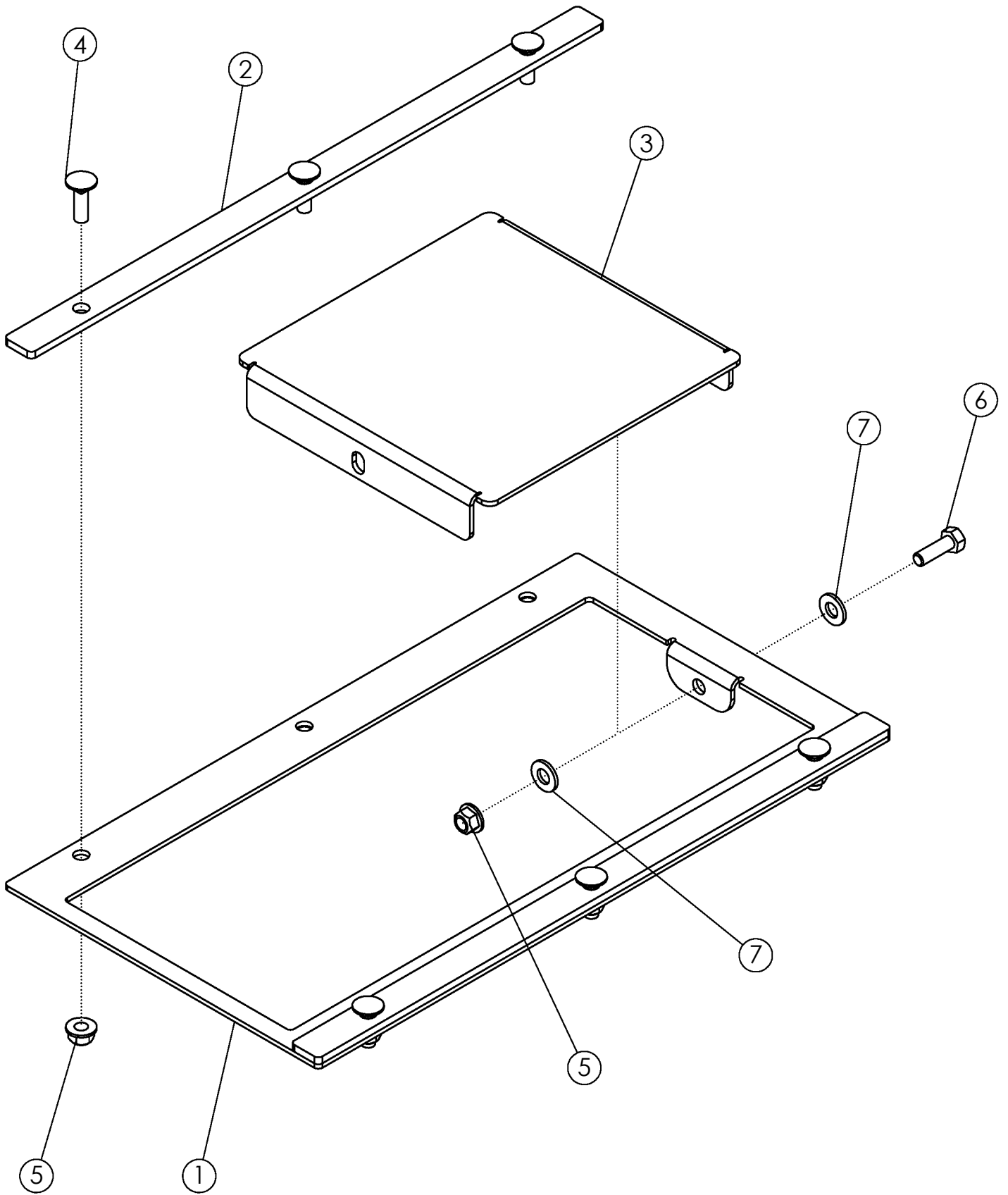
UNLOAD CHAIN WIPER

ITEM	PART NO.	DESCRIPTION	QTY
1	319048	PLATE-RUBBER WIPER MOUNT	1
2	319049	RUBBER-CHAIN TOP WIPER	1
3	319058	PLATE-CHAIN RUBBER CLAMP	1
4	340046	BOLT-CRG: .38 X 1.75 NC GR5 ZP	9
5	303731	NUT-FLANGE: TOPLOCK .38 NC YZP	9



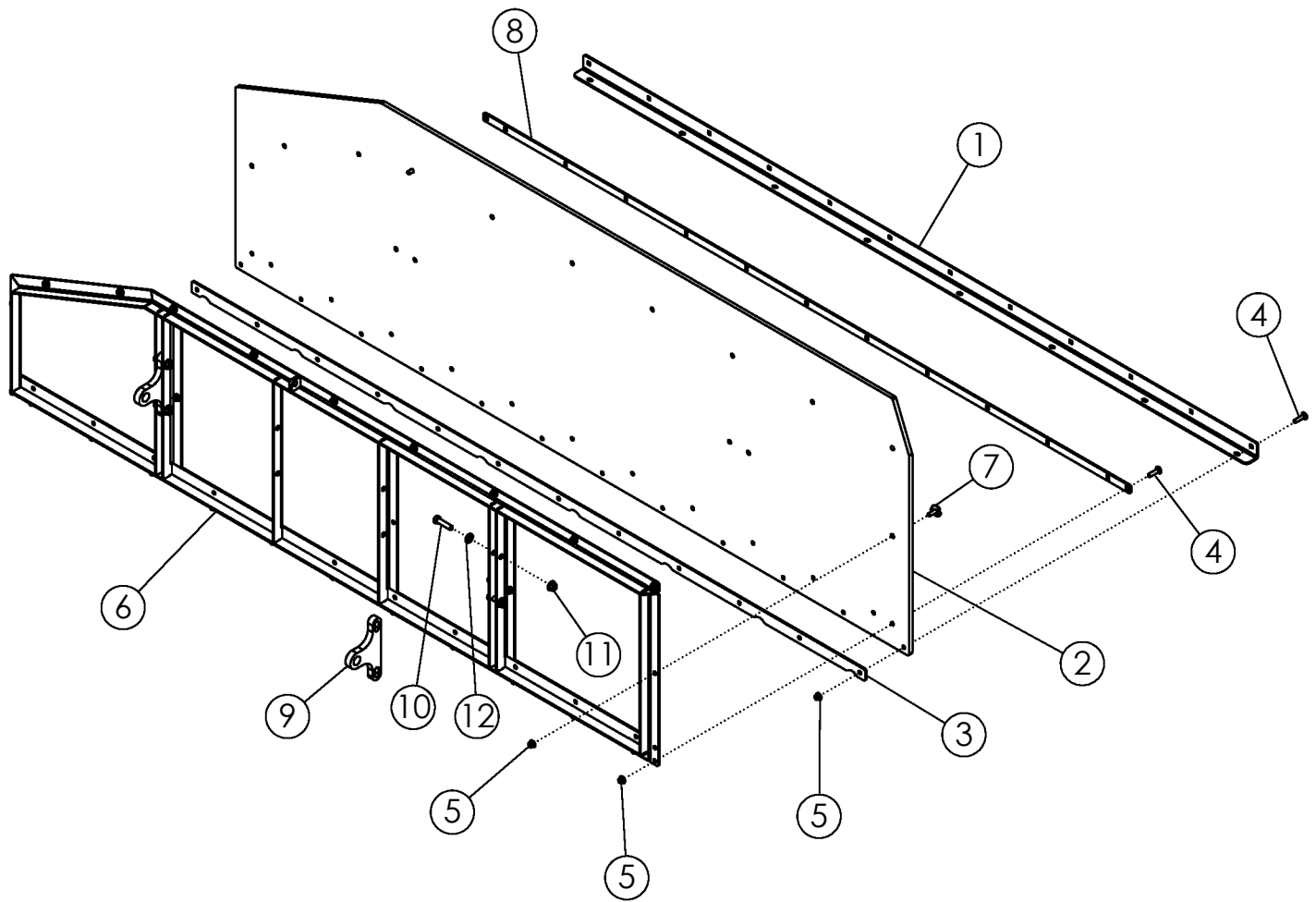
TOP DOOR LOCK UP BAR

ITEM	PART NO.	DESCRIPTION	QTY
1	319208	PLATE-TOP DOOR LOCK UP	2
2	319209	PLATE-TOP DOOR LOCK UP BENT	2
3	1011610	BOLT-HEX: .50 X 2.50 NC GR5 ZP	2
4	1011584	WASHER-FLAT: SAE .50 ZP	4
5	1011581	WASHER-LOCK: .50 ZP	2
6	1011577	NUT-HEX: .50 NC GR2 ZP	2
7	1018007	BOLT-HEX: 1.00 X 3.00 NC GR5 ZP	2
8	1016663	WASHER-FLAT: SAE 1.00 ZP	4
9	1016969	NUT-TOPLOCK: 1.00 NC GR5 ZP	2



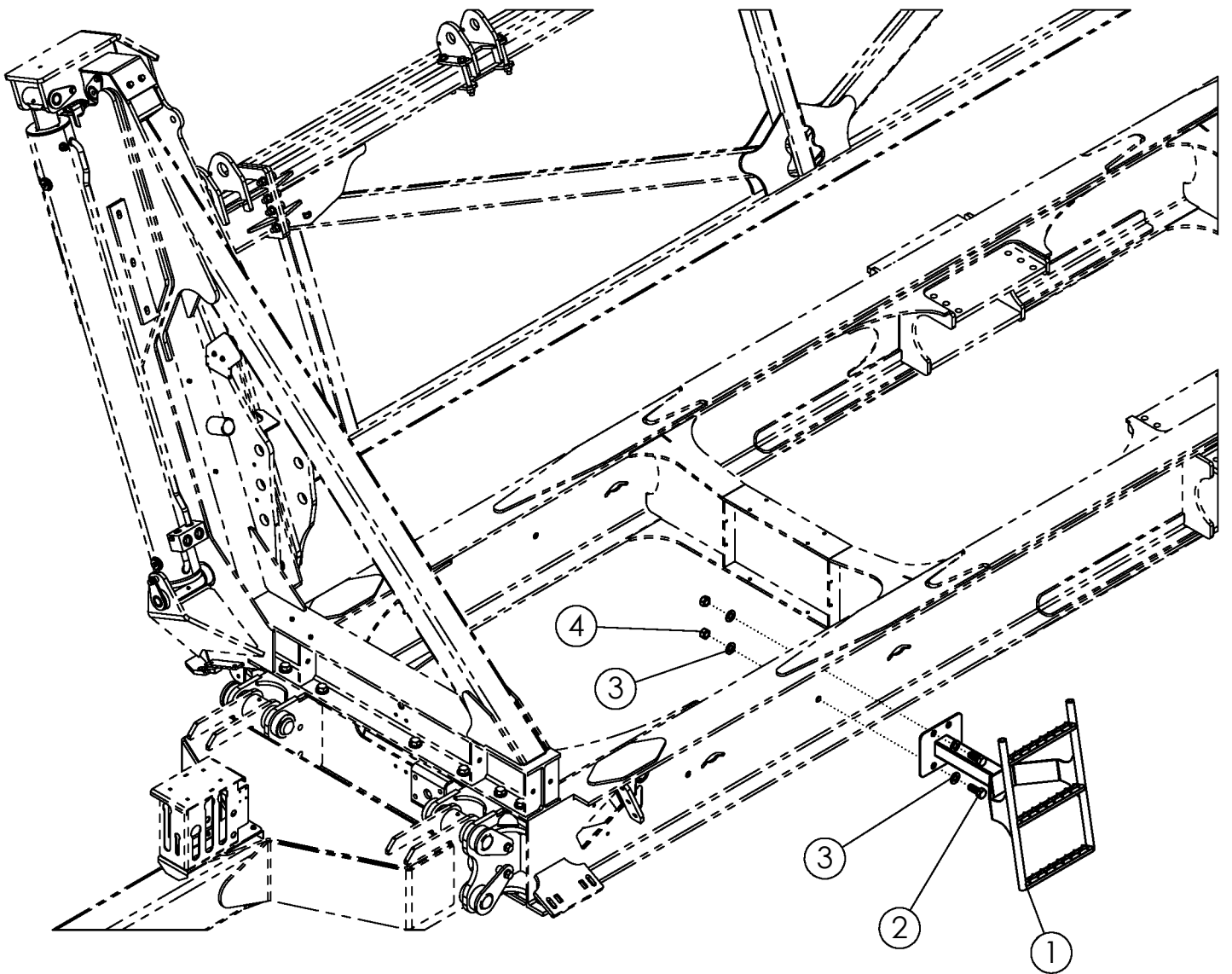
TANK SLIDE GATE

ITEM	PART NO.	DESCRIPTION	QTY
1	319228	PLATE-SLIDE GATE MOUNT	1
2	319229	PLATE-SLIDE GATE SPACER	2
3	319230	PLATE-SLIDE GATE	1
4	1017255	BOLT-CRG: .31 X 1.00 NC GR5 ZP	6
5	303778	NUT-FLANGE: TOPLOCK .31 NC YZP	7
6	1011598	BOLT-HEX: .31 X 1.00 NC GR5 ZP	1
7	1011582	WASHER-FLAT: SAE .31 ZP	2



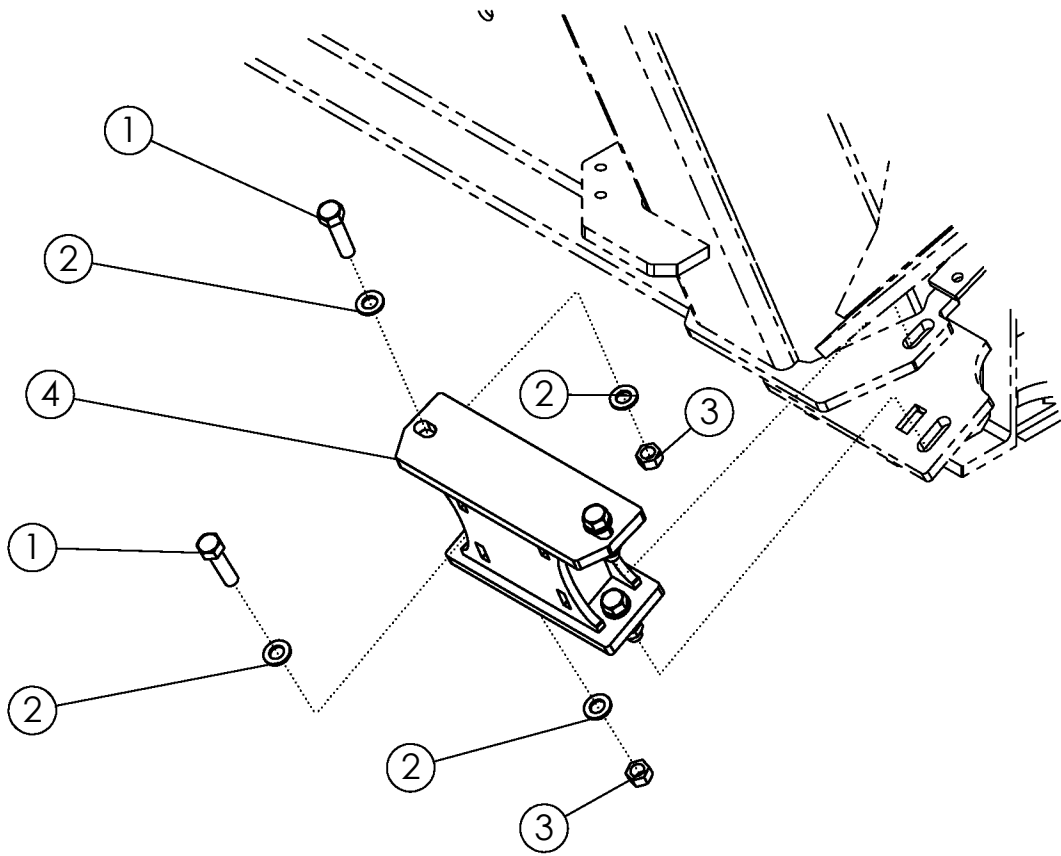
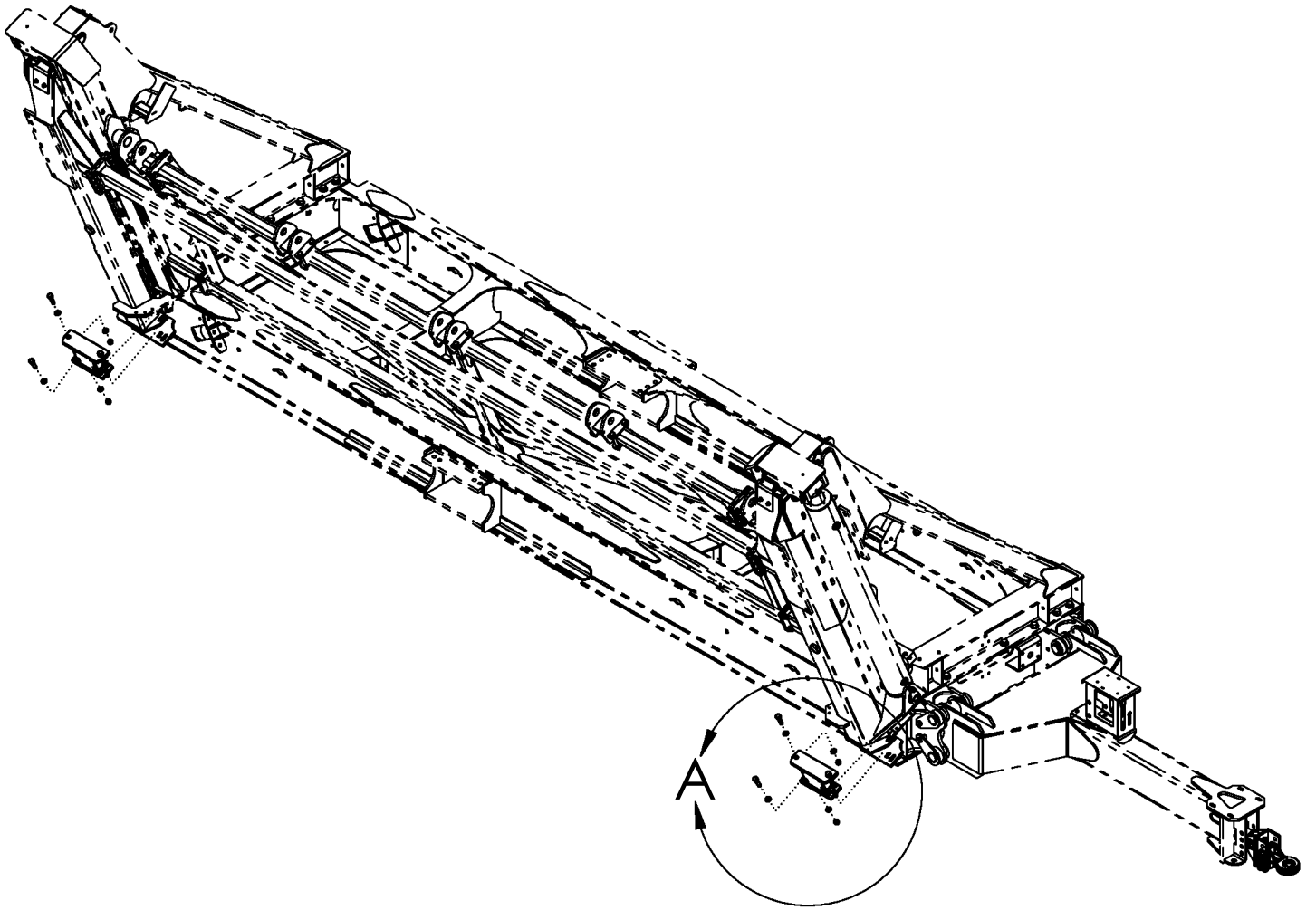
TANK DOOR FRONT

ITEM	PART NO.	DESCRIPTION	QTY
1	319252	PLATE-DOOR MOUNT	1
2	319253	RUBBER-CC1000 TANK DOOR	1
3	319254	PLATE-DOOR CLAMP	1
4	58679	BOLT-CRG: .38 X 1.50 NC GR5 ZP	25
5	303731	NUT-FLANGE: TOPLOCK .38 NC YZP	40
6	319255	WLDMT-TANK DOOR FRAME FRONT	1
7	319238	BOLT-ELEVATOR: FANGED .38 X 1.25 NC ZP	15
8	319269	PLATE-DOOR FRAME CLAMP	1
9	319270	PLATE-DOOR FRAME CYL LUG	2
10	1011609	BOLT-HEX: .50 X 2.00 NC GR5 ZP	4
11	303774	NUT-FLANGE: TOPLOCK .50 NC YZP	4
12	1011584	WASHER-FLAT: SAE .50 ZP	4



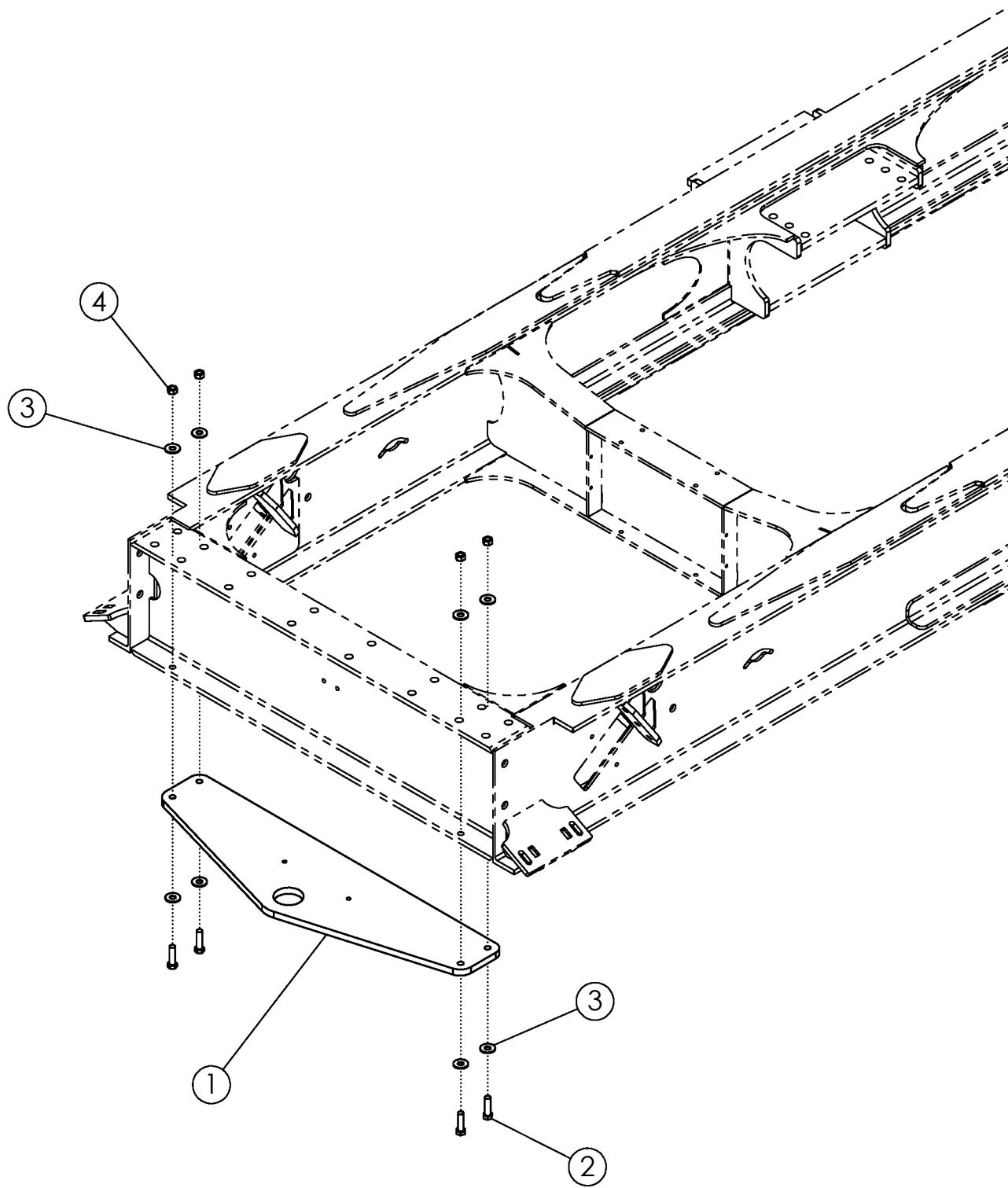
TANK LADDER

ITEM	PART NO.	DESCRIPTION	QTY
1	319317	WLDMT-CC1000 TANK ACCESS LADDER	1
2	1023331	BOLT-HEX: 1.00 X 2.50 NC GR5 ZP	2
3	1016663	WASHER-FLAT: SAE 1.00 ZP	4
4	1016969	NUT-TOPLOCK: 1.00 NC GR5 ZP	2



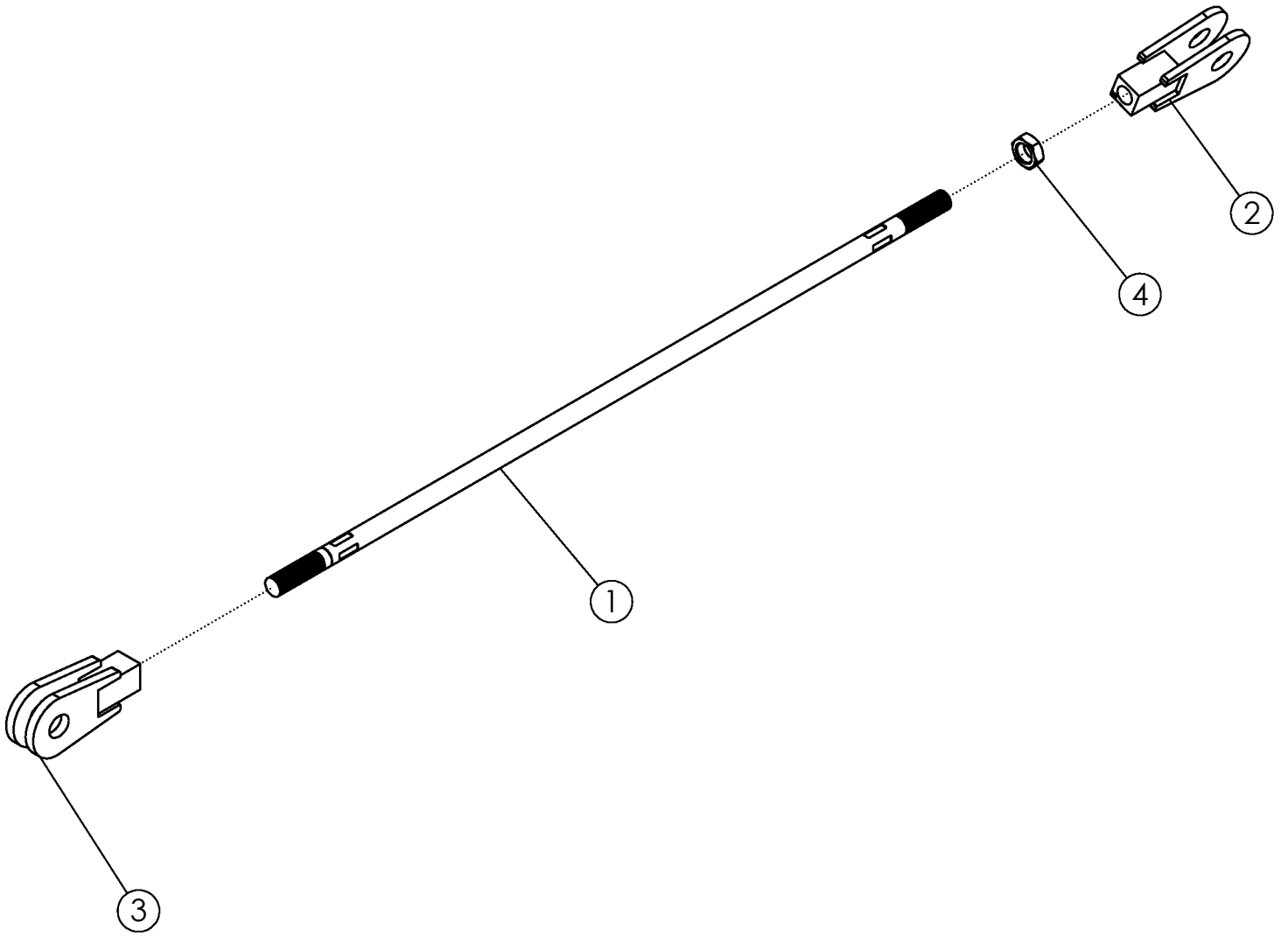
HAUNCH

ITEM	PART NO.	DESCRIPTION	QTY
1	1032291	BOLT-HEX: .75 X 3.00 NC GR8 YZP	8
2	35132	WASHER-FLAT: SAE .75 GR8 YZP	16
3	1017000	NUT-TOPLOCK: .75 NC GR5 ZP	8
4	318962	WLDMT-HAUNCH PEDESTAL	2



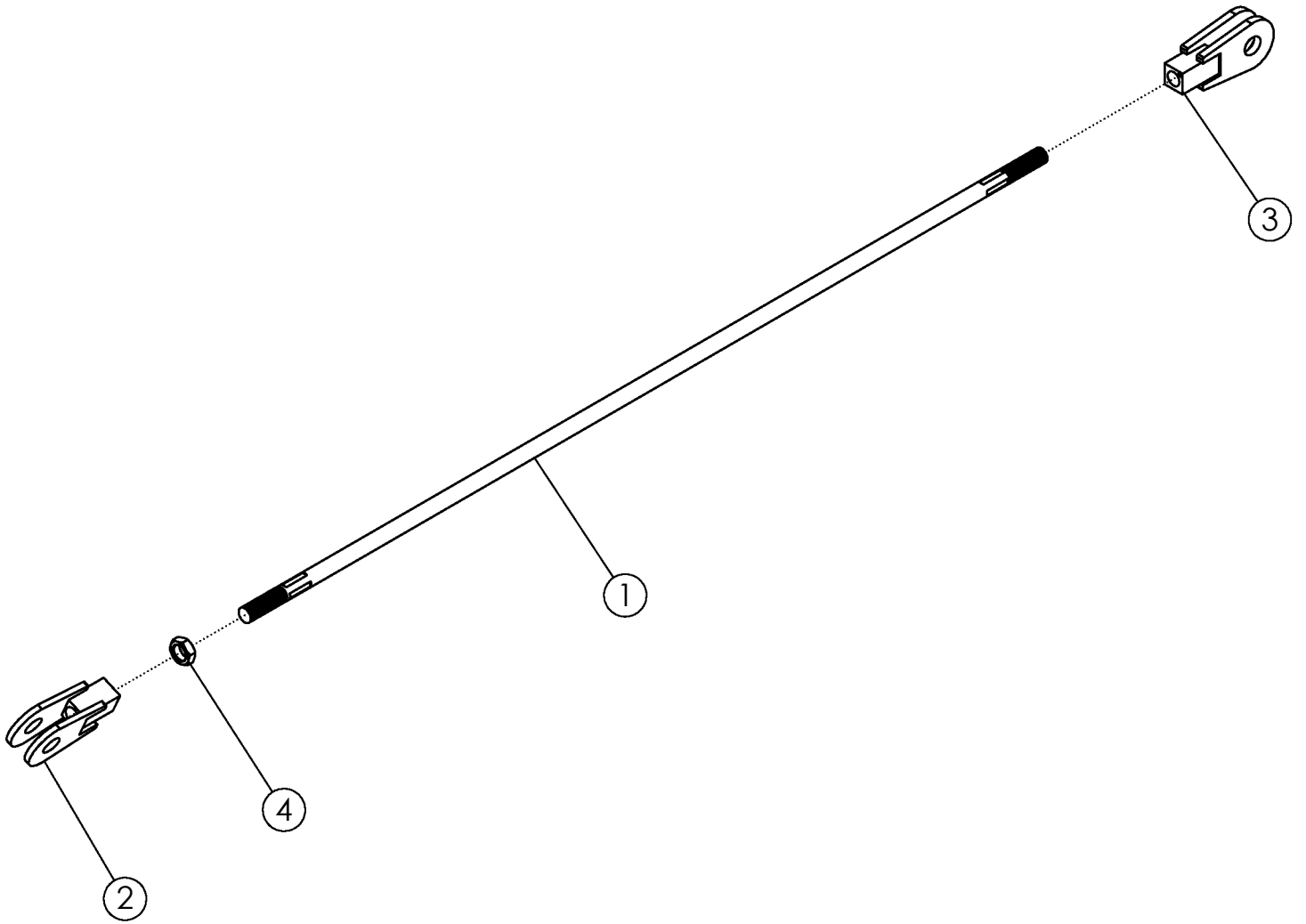
REVERSE HITCH

ITEM	PART NO.	DESCRIPTION	QTY
1	318880	PLATE-REVERSE HITCH PULL	1
2	66495	BOLT-HEX: .75 X 2.75 NC GR8 YZP	4
3	1030702	WASHER-FLAT: .75 ZP	8
4	1011434	NUT-TOPLOCK: .75 NC GR8 ZP	4



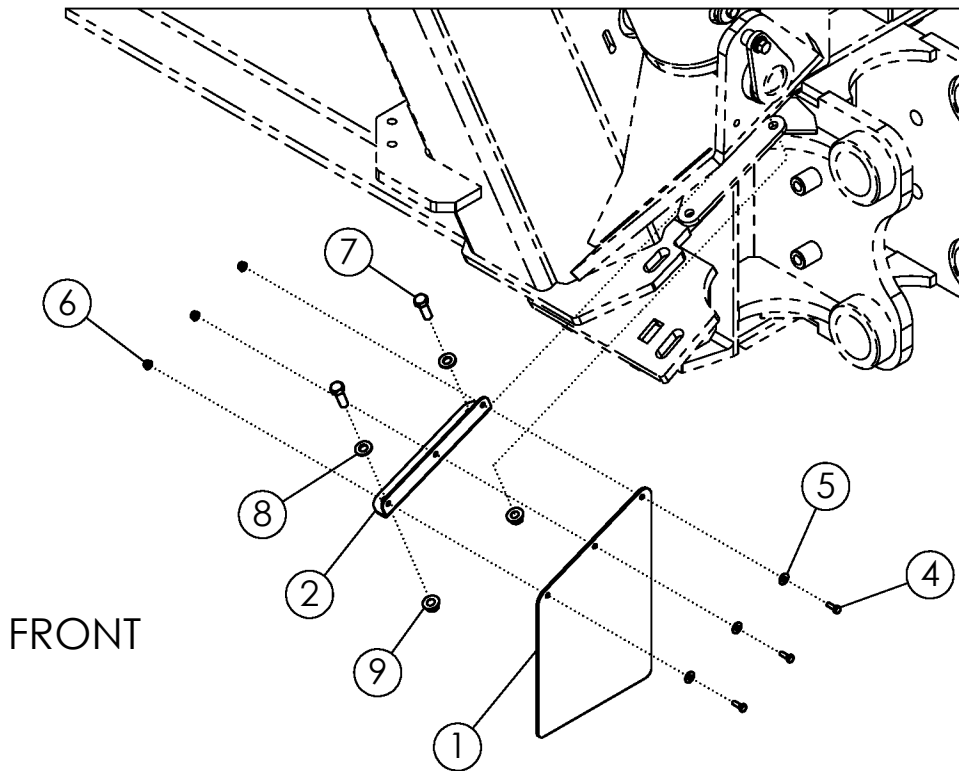
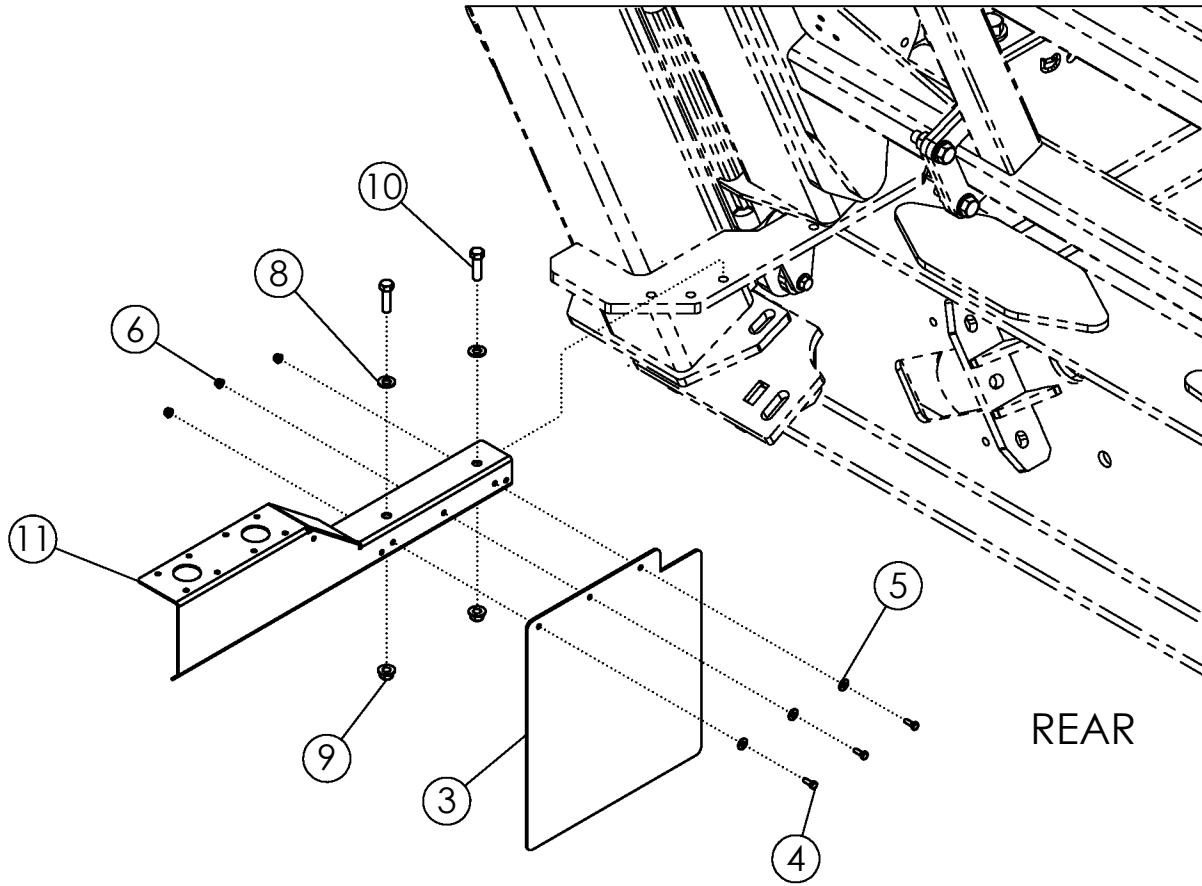
TRUSS ARM SHORT

ITEM	PART NO.	DESCRIPTION	QTY
1	318948	SHAFT-TRUSS SUPPORT SHORT	1
2	318925	WLDMT-CLEVIS MNT RH THREADED	1
3	318924	WLDMT-CLEVIS MNT LH THREADED	1
4	319237	NUT-JAM: 2.00 NF GR2 ZP	1



TRUSS ARM LONG

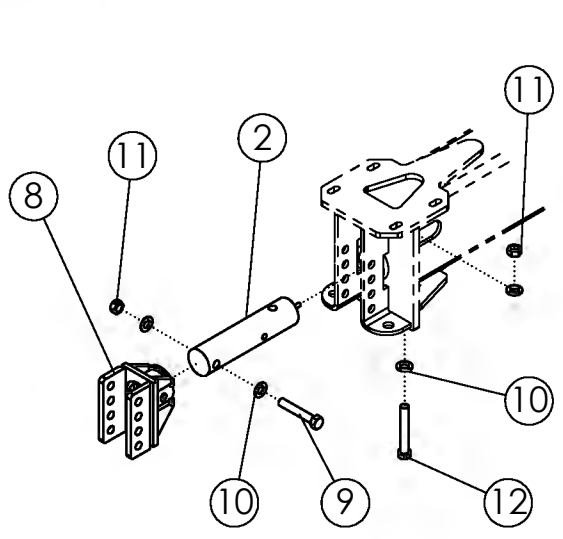
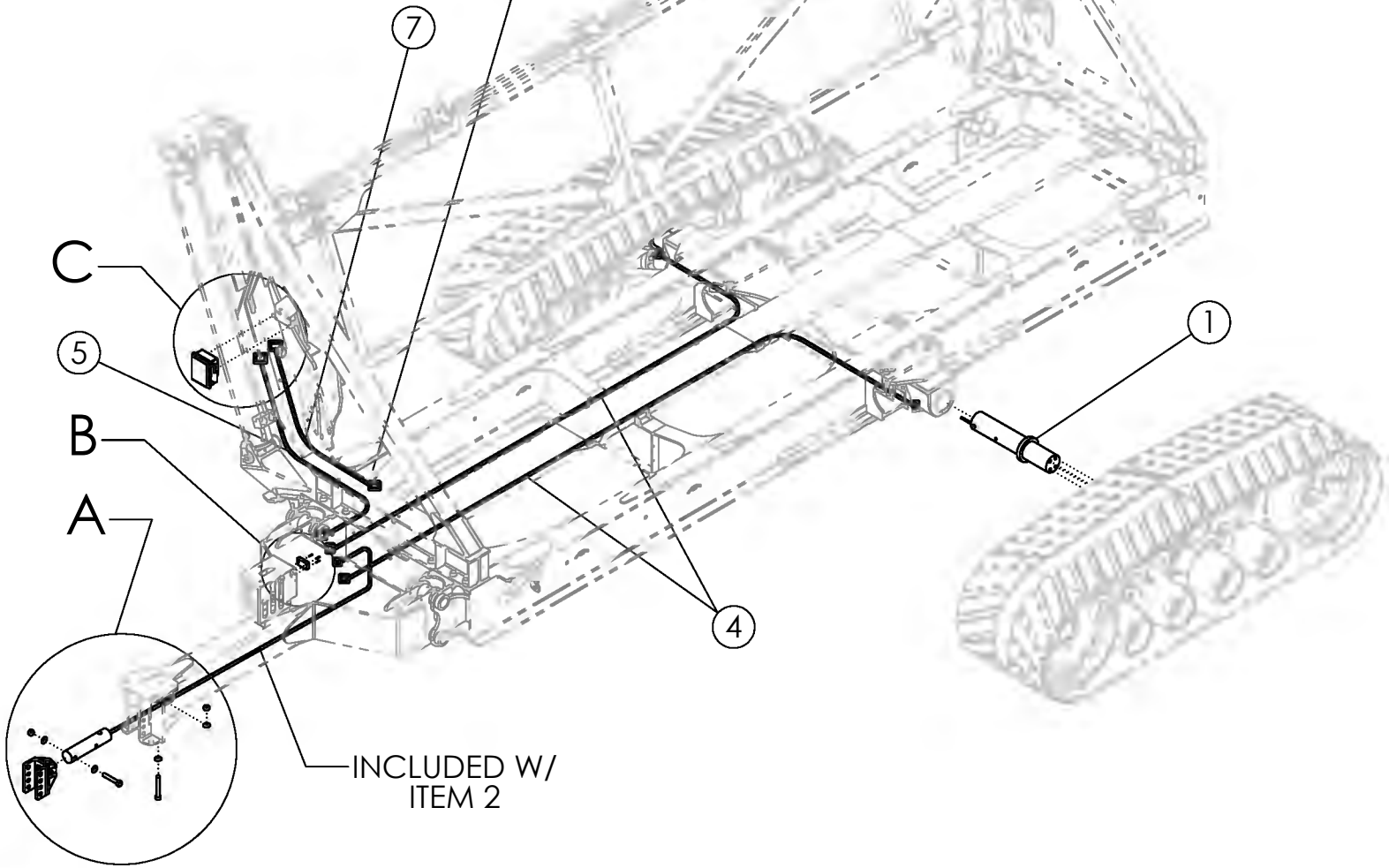
ITEM	PART NO.	DESCRIPTION	QTY
1	318947	SHAFT-TRUSS SUPPORT LONG	1
2	318925	WLDMT-CLEVIS MNT RH THREADED	1
3	318924	WLDMT-CLEVIS MNT LH THREADED	1
4	319237	NUT-JAM: 2.00 NF GR2 ZP	1



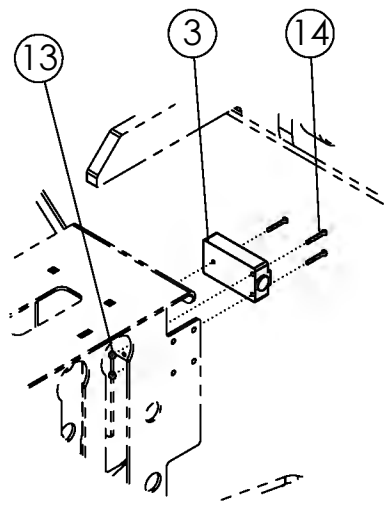
MUDFLAPS

ITEM	PART NO.	DESCRIPTION	QTY
1	319200	RUBBER-FRONT MUDFLAP	1
2	319033	PLATE-MUDFLAP BRACKET	1
3	319199	RUBBER-REAR MUDFLAP	1
4	1011595	BOLT-HEX: .25 X .75 NC GR5 ZP	6
5	1020416	WASHER-FLAT: .25 ZP	6
6	303777	NUT-FLANGE: TOPLOCK .25 NC YZP	6
7	1011607	BOLT-HEX: .50 X 1.50 NC GR5 ZP	2
8	1011584	WASHER-FLAT: SAE .50 ZP	4
9	303774	NUT-FLANGE: TOPLOCK .50 NC YZP	4
10	1011608	BOLT-HEX: .50 X 1.75 NC GR5 ZP	2
11	319225	WLDMT-LIGHT BRACKET RH	1

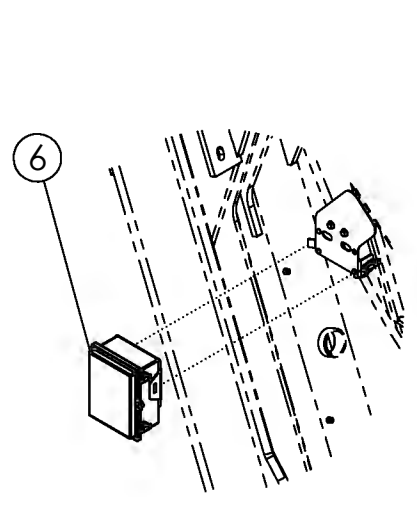
TO 318073
(HARNES-CC1000 MAIN)



DETAIL A



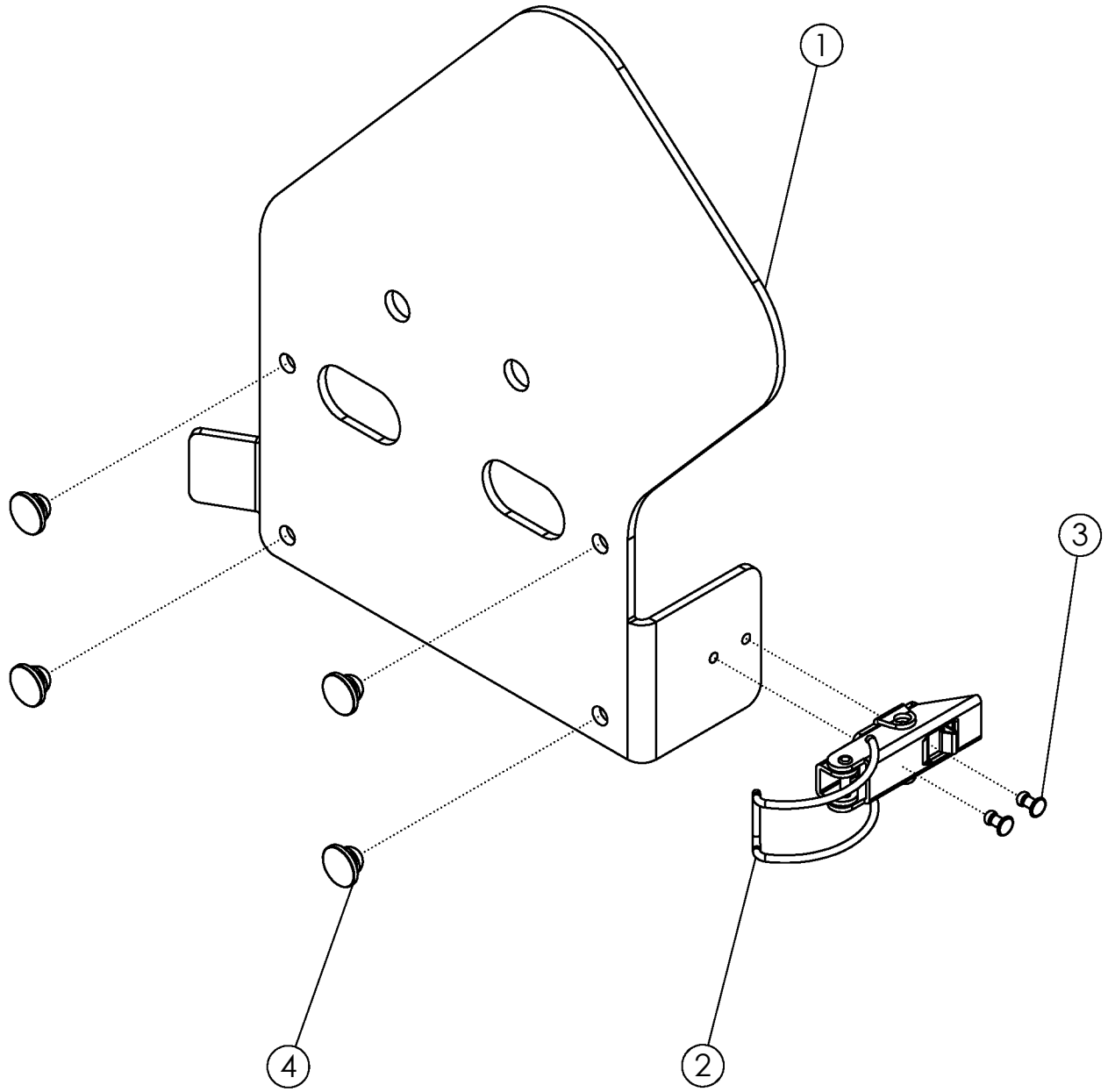
DETAIL B



DETAIL C

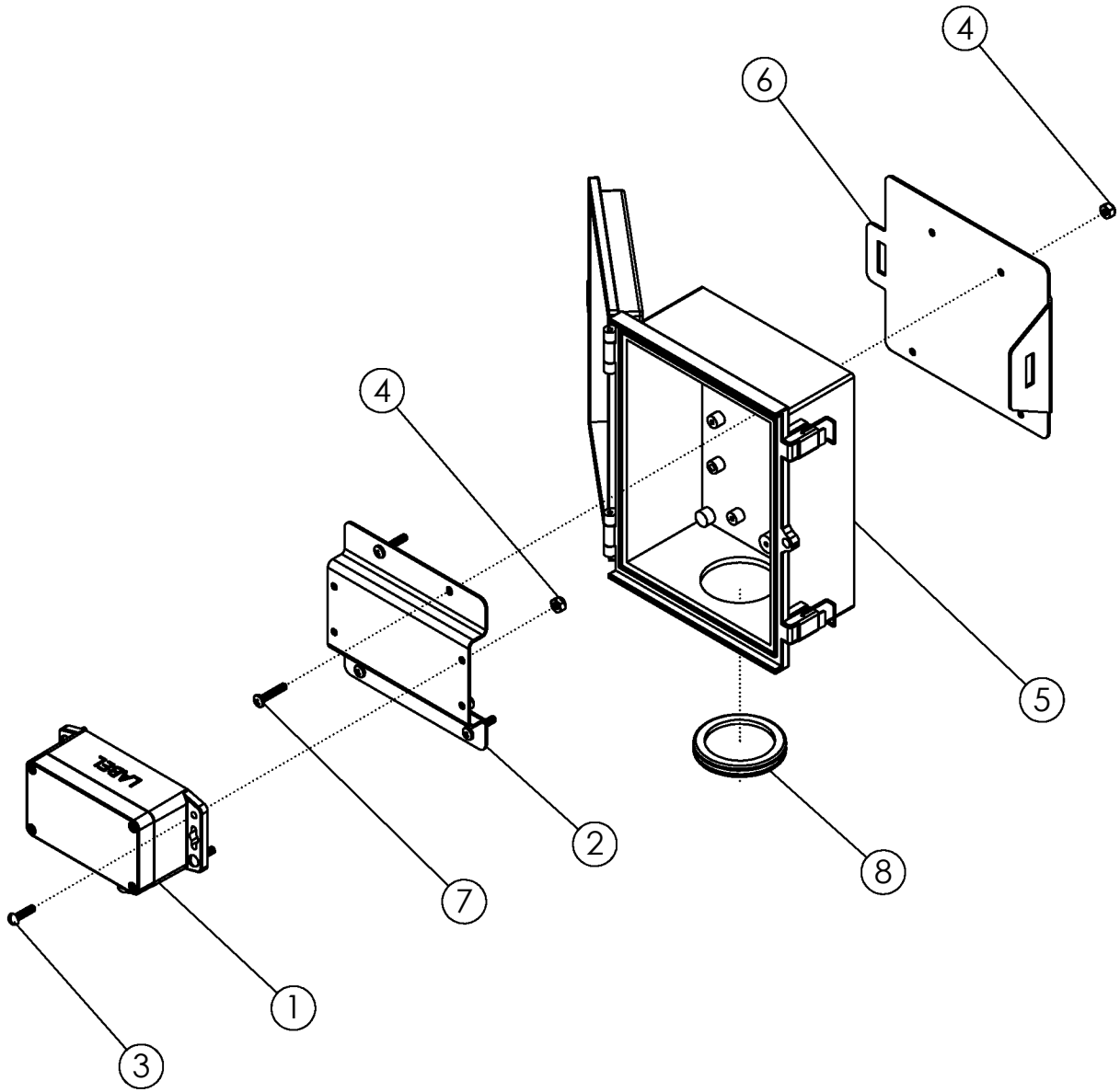
SCALE SYSTEM (CAMSO)

ITEM	PART NO.	DESCRIPTION	QTY
1	318035	LOAD CELL-5.472SB-6IN EZ MATE 409661	2
2	318036	LOAD CELL-3.75SB-16FT EZ MATE 407694	1
3	318037	J-BLOCK 6-PORT EZ MATE (TOPCON)	1
4	318038	CABLE-EZ MATE M/F 21FT	2
5	318045	CABLE-EZ MATE/AMP 12FT	1
6	319520	ASSY-ENCLOSED LIBRA BOX	1
7	319006	HARNESS-CC1000 LIBRA BOX POWER	1
8	310510	WLDMT-WEIGH TRONIX PINTLE	1
9	1032502	BOLT-HEX: 1.00 X 6.00 NC GR8 ZP	1
10	1030728	WASHER-FLAT: SAE 1.00 ZP GR8	4
11	1016969	NUT-TOPLOCK: 1.00 NC GR8 ZP	2
12	1018839	BOLT-HEX: 1.00 X 7.00 NC GR8 ZP	1
13	62617	NUT-NYLOCK: #8-32 GR2 ZP	3
14	62800	SCREW-R-H-SL: #8-32 X 1.25 ZP	3



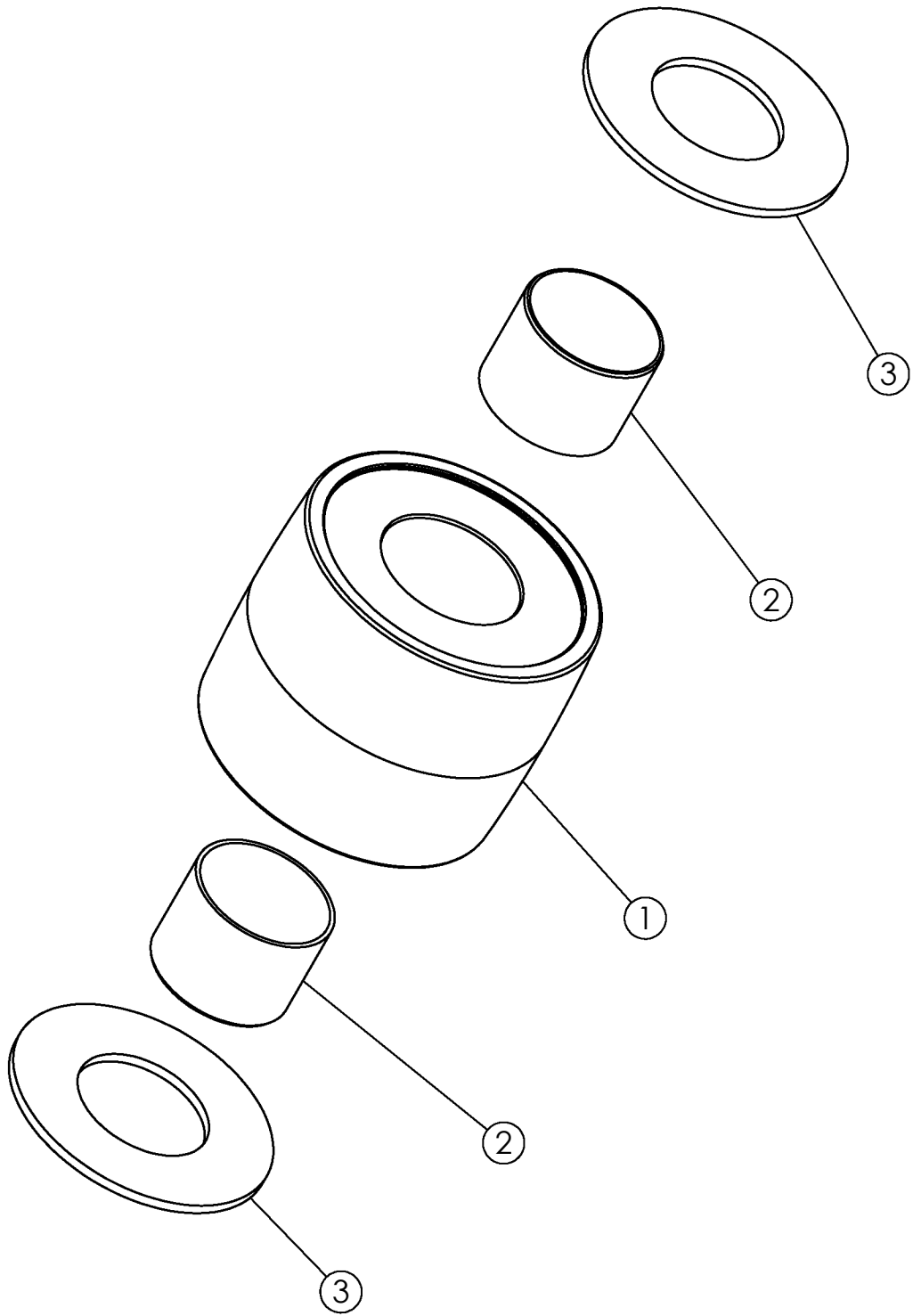
LIBRA MOUNT ASSY

ITEM	PART NO.	DESCRIPTION	QTY
1	319509	PLATE-HOSE LOOP CAP	1
2	319515	LATCH-STRIKELESS DRAW W/ SAFETY CATCH ZP	1
3	59882	RIVET-POP: .13 X .31 ZP	2
4	319514	BUMPER-PUSH IN 1/4 HOLE X 1/8 THICK	4



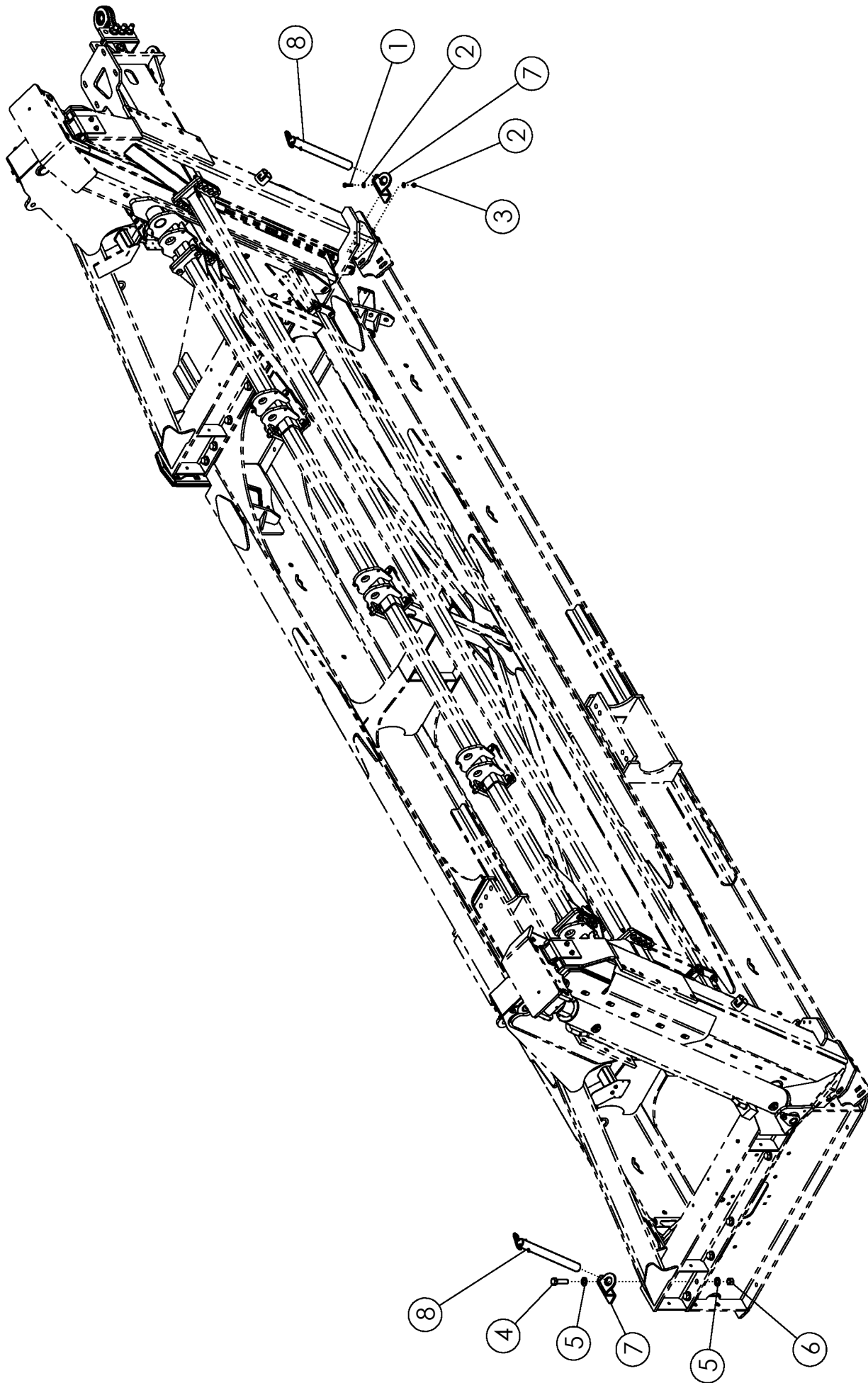
ENCLOSED LIBRA BOX

ITEM	PART NO.	DESCRIPTION	QTY
1	316295	MODULE-LIBRA CART M0014 (12V POWER OPT)	1
2	319511	PLATE-LIBRA CASE MOUNT	1
3	1014728	SCREW-R-H-SL: #10-24 X .75 NC GR2	4
4	67079	NUT-NYLOCK: #10-24 NC GR2 ZP	8
5	319519	ASSY-MACHINED ENCLOSURE CC1000	1
6	319510	PLATE-LIBRA LATCHING BRACKET	1
7	67933	SCREW-P-H: #10-24 X 1.00 NC GR2 ZP	4
8	319202	GROMMET-RUBBER VARIABLE ID	1



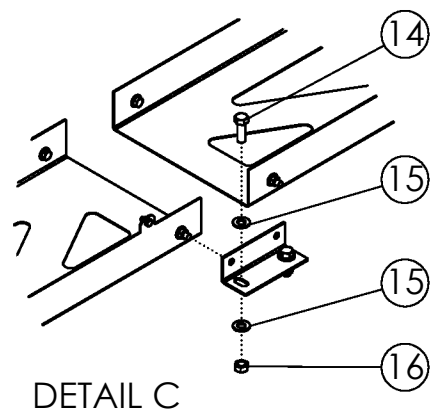
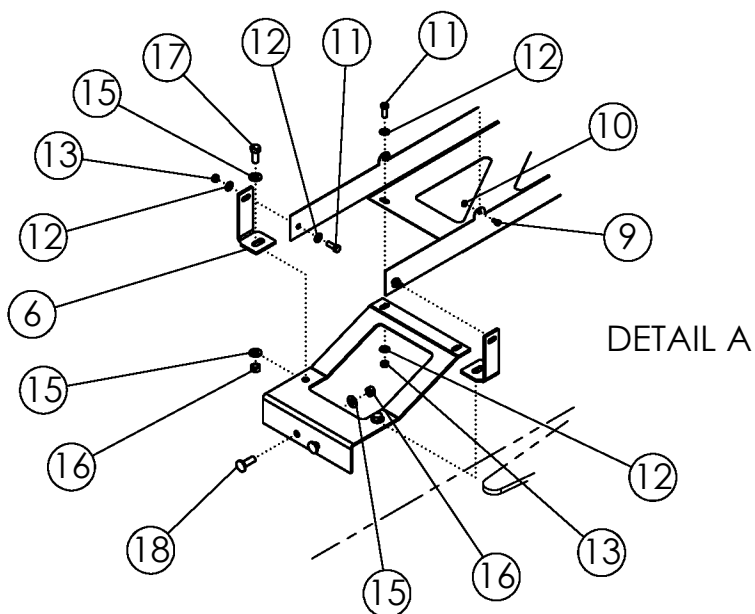
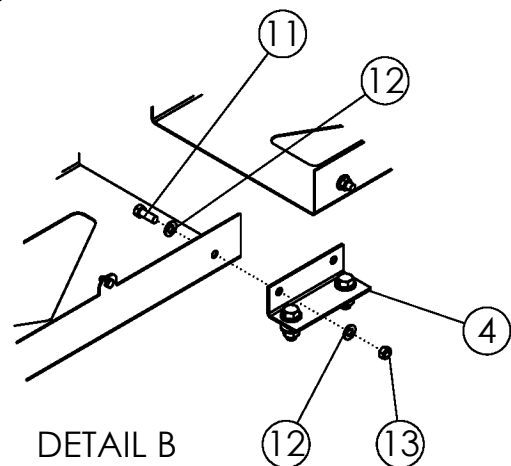
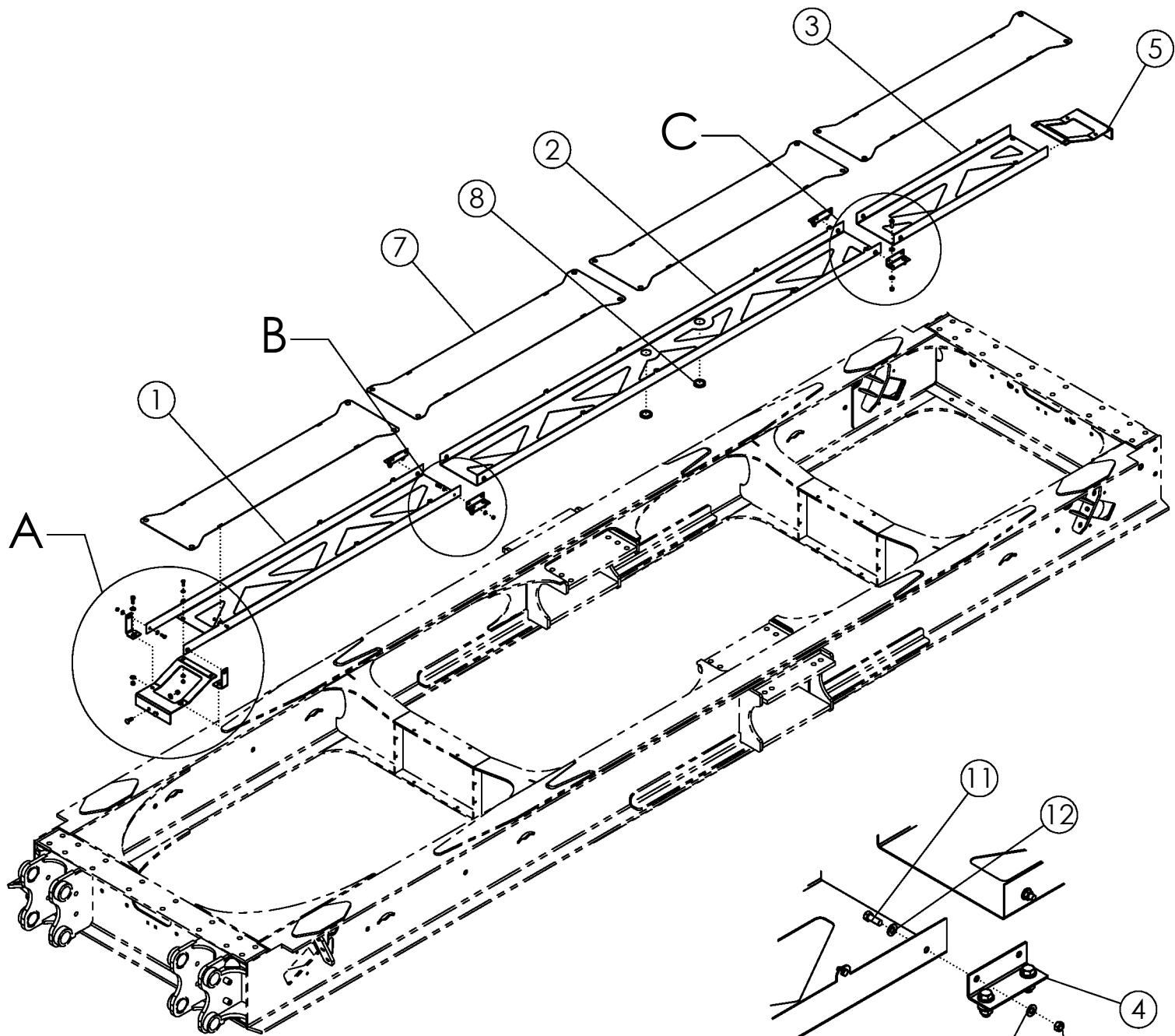
LADDER FRAME ROLLER

ITEM	PART NO.	DESCRIPTION	QTY
1	319325	TUBE-LADDER FRAME ROLLER	1
2	318087	BUSHING-IGLIDE Q2 SLEEVE 2.5"IDX2.68"ODX2"L	2
3	319416	WASHER-ROLLER GUARD 2.5"	2



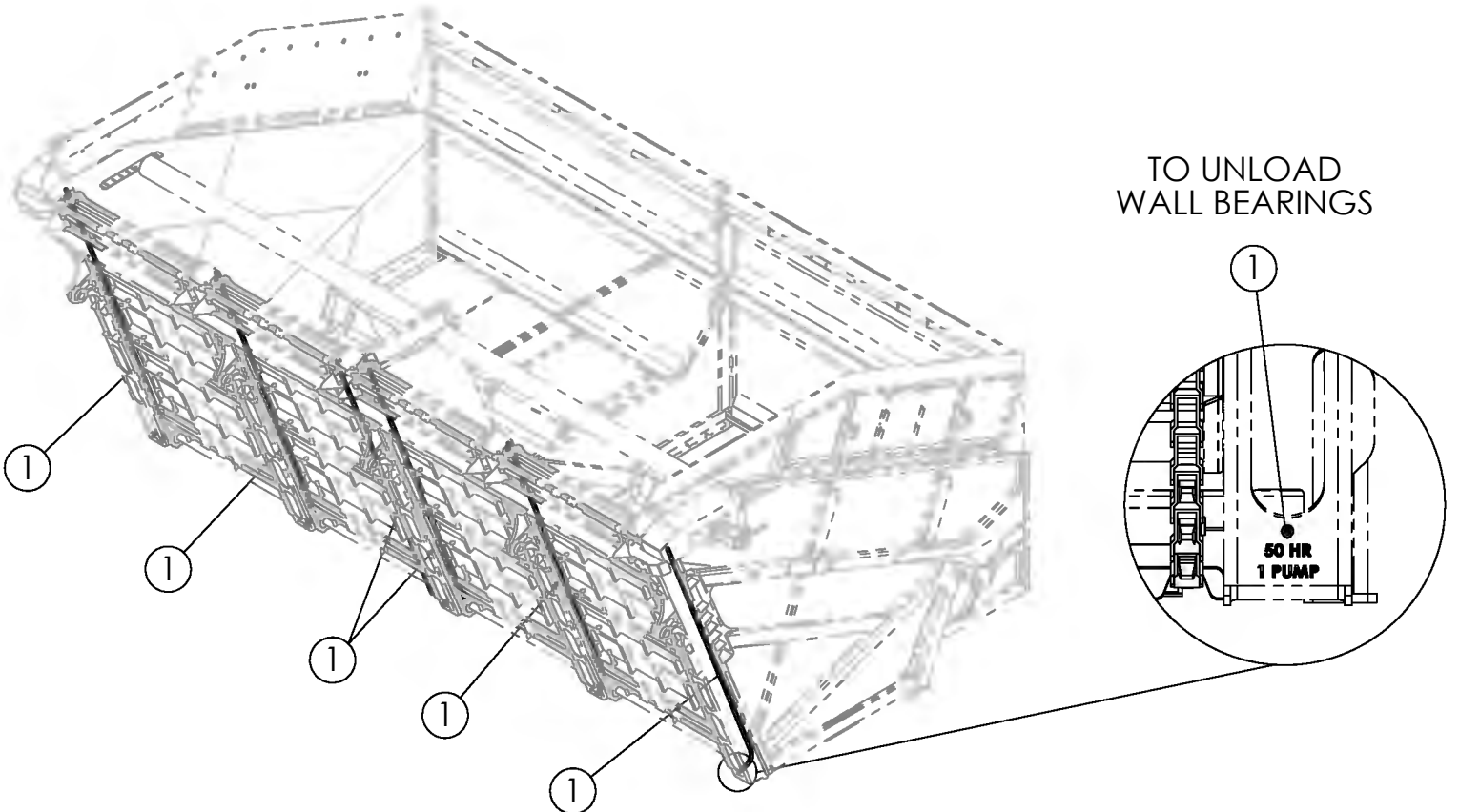
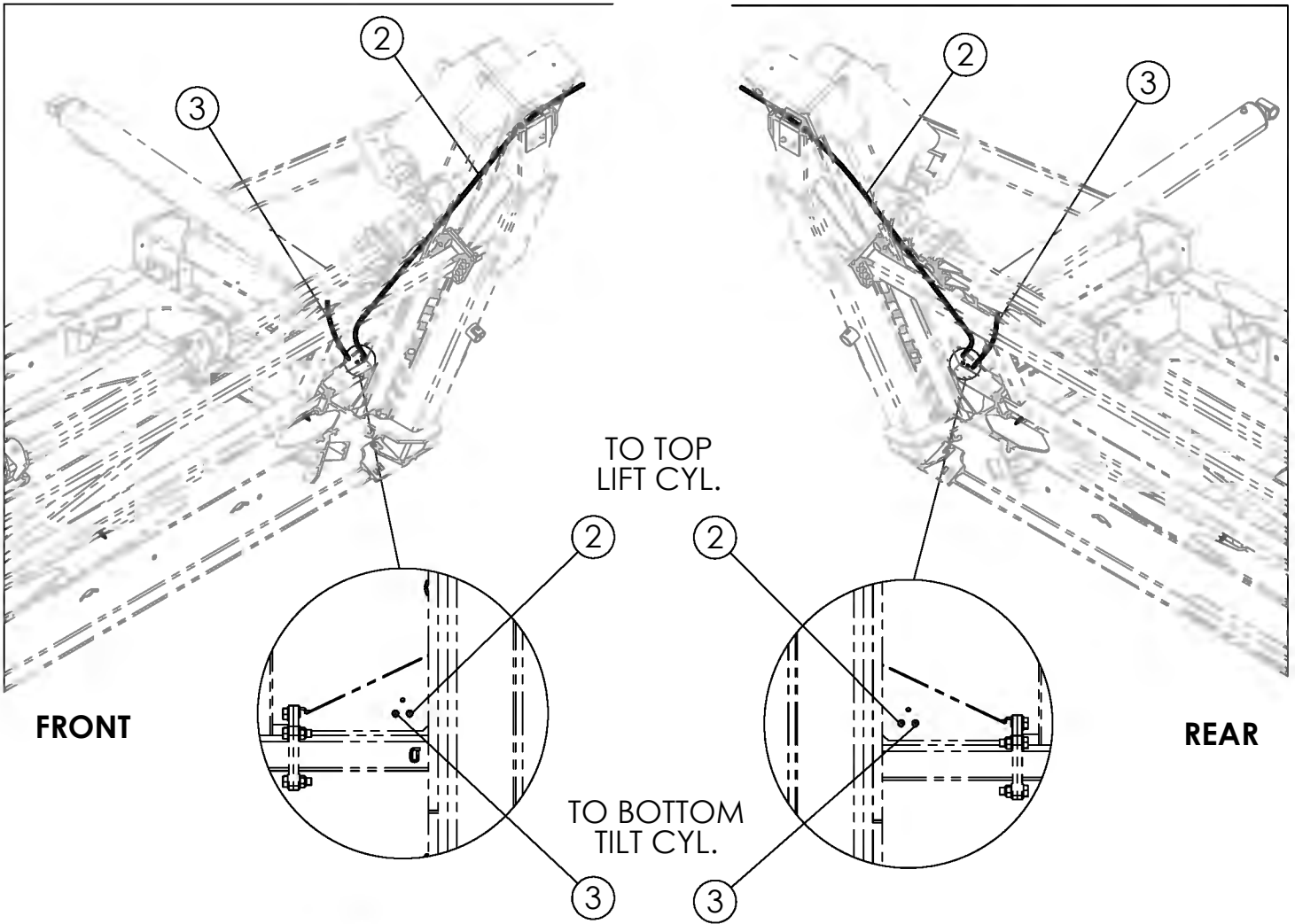
SAFETY PINS

ITEM	PART NO.	DESCRIPTION	QTY
1	1011609	BOLT-HEX: .50 X 2.00 NC GR5 ZP	1
2	1011584	WASHER-FLAT: SAE .50 ZP	2
3	1027461	NUT-TOPLOCK: .50 NC GR5 ZP	1
4	1011626	BOLT-HEX: 1.00 X 3.50 NC GR5 ZP	1
5	1016663	WASHER-FLAT: SAE 1.00 ZP	2
6	1016969	NUT-TOPLOCK: 1.00 NC GR5 ZP	1
7	319204	PLATE-SAFETY PIN MOUNT	2
8	319249	ASSY-CC1000 SAFETY PIN	2



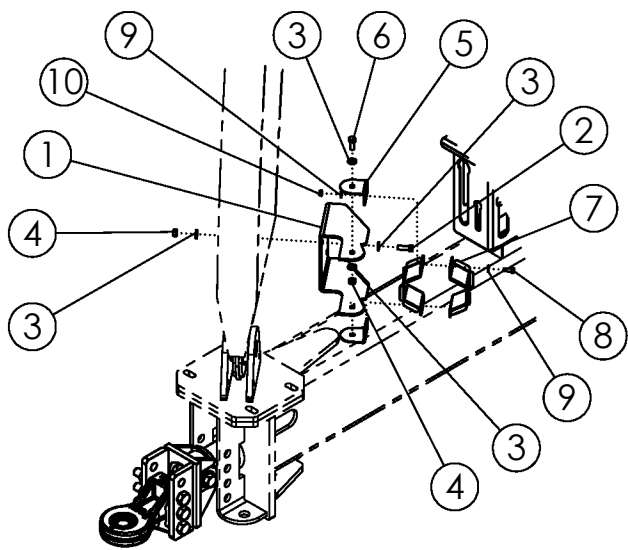
HOSE TRAY

ITEM	PART NO.	DESCRIPTION	QTY
1	319211	PLATE-FRONT HOSE TRAY	1
2	319212	PLATE-MIDDLE HOSE TRAY	1
3	319213	PLATE-BACK HOSE TRAY	1
4	319215	PLATE-HOSE TRAY MIDDLE MOUNT	4
5	319206	PLATE-HOSE TRAY END MOUNT	2
6	319216	PLATE-FRONT HOSE TRAY BRACKET	2
7	319214	PLATE-HOSE TRAY COVER	4
8	319202	GROMMET-RUBBER VARIABLE ID	2
9	1013243	BOLT-HEX: .25 X .50 NC GR5 ZP	16
10	1030946	NUT-TOPLOCK: .25 NC GR5 ZP	16
11	1011600	BOLT-HEX: .38 X 1.00 NC GR5 ZP	14
12	1014608	WASHER-FLAT: SAE .38 ZP	28
13	1016999	NUT-TOPLOCK: .38 NC GR5 ZP	14
14	1011607	BOLT-HEX: .50 X 1.50 NC GR5 ZP	8
15	1011584	WASHER-FLAT: SAE .50 ZP	24
16	1027461	NUT-TOPLOCK: .50 NC GR5 ZP	14
17	1011606	BOLT-HEX: .50 X 1.25 NC GR5 ZP	2
18	1011660	BOLT-CRG: .50 X 1.50 NC GR5 ZP	4

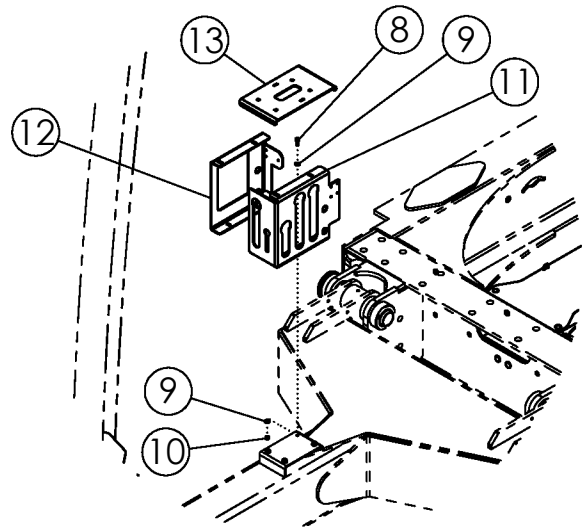


GREASE LINES

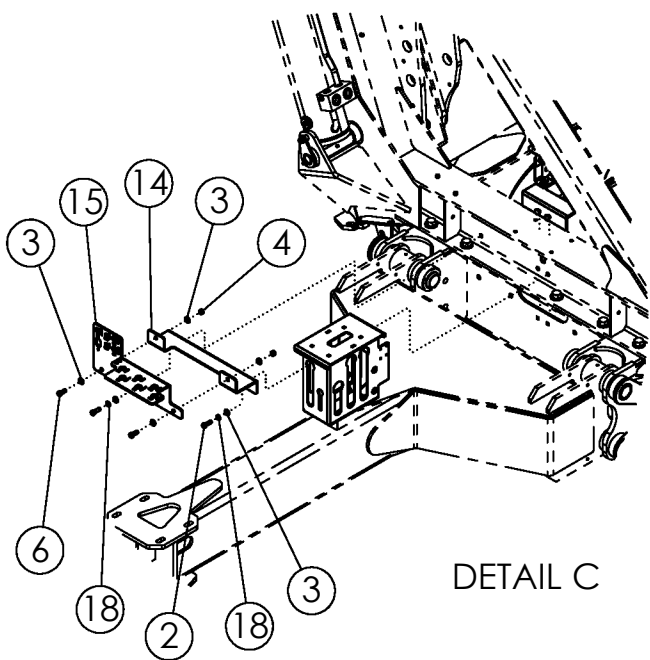
ITEM	PART NO.	DESCRIPTION	QTY
1	318771	GREASE LINE: .31 X 114 45 DEG	6
2	318772	GREASE LINE: .31 X 142 90 DEG	2
3	318776	GREASE LINE: .31 X 038 00 DEG	2



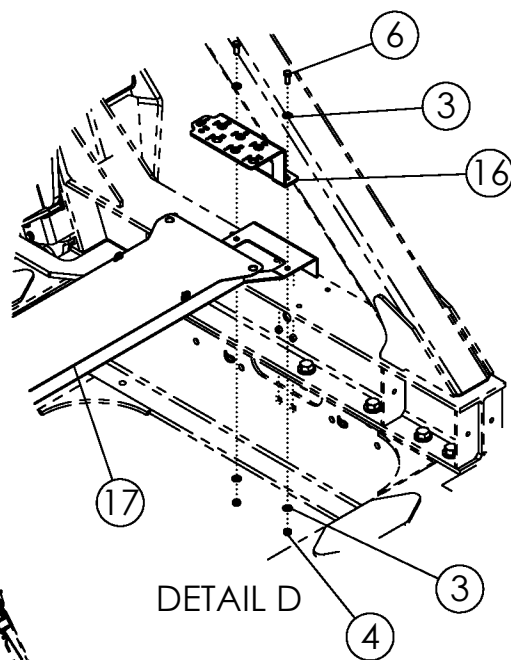
DETAIL A



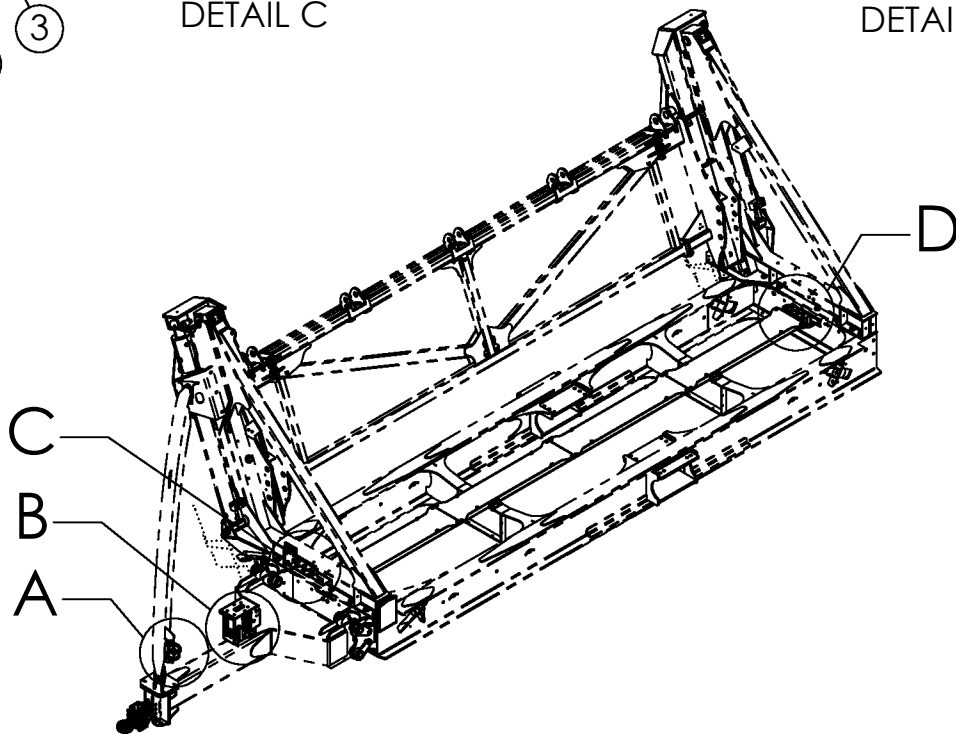
DETAIL B



DETAIL C

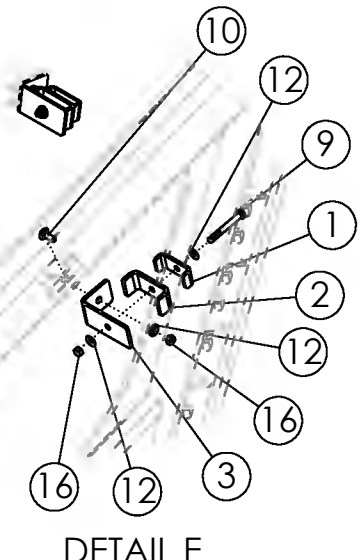
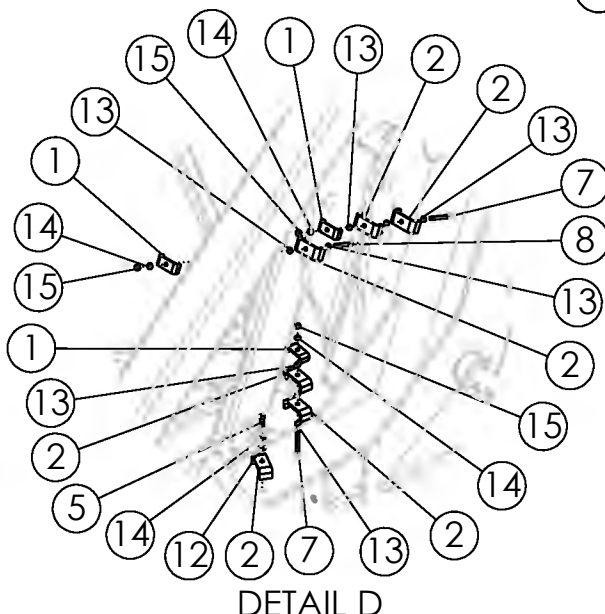
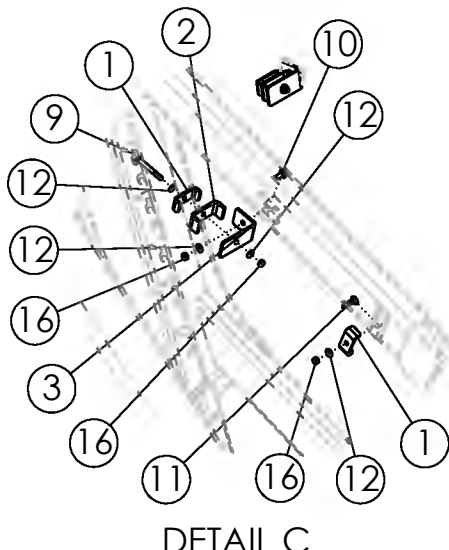
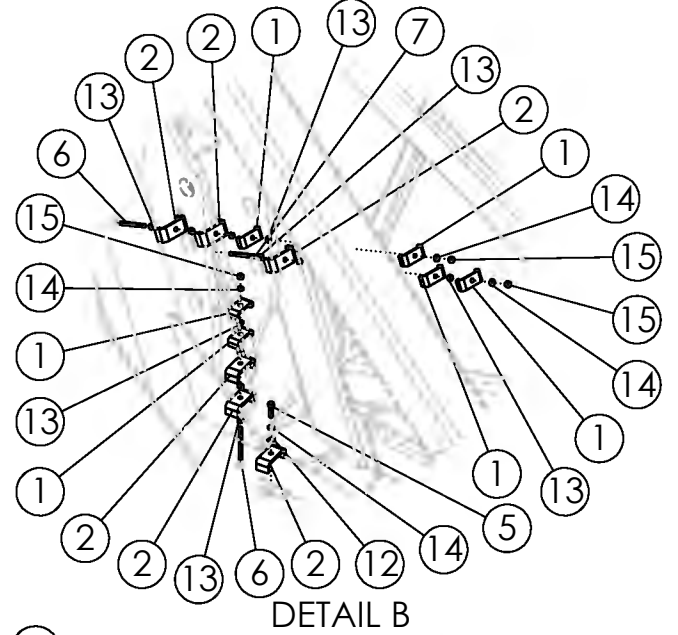
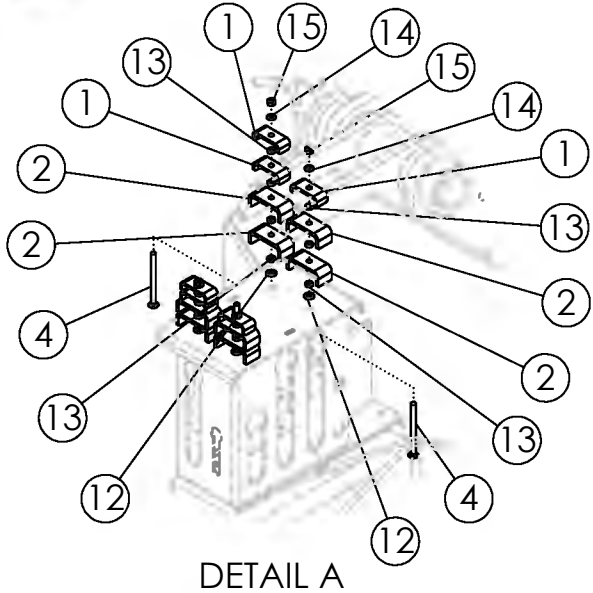
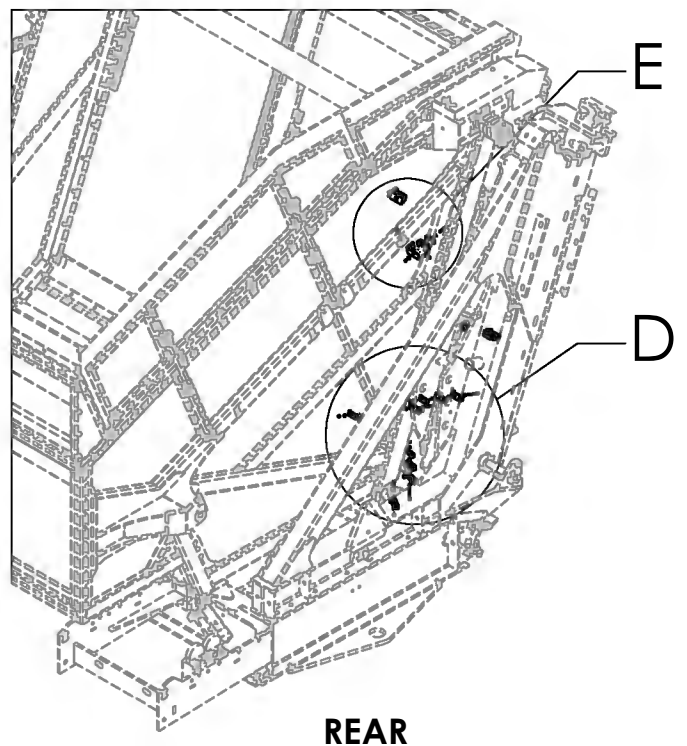
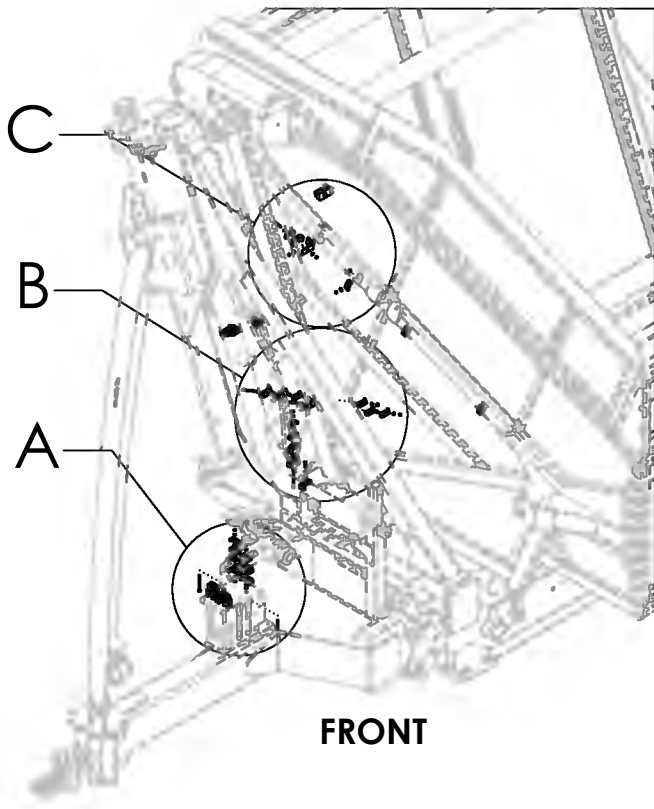


DETAIL D



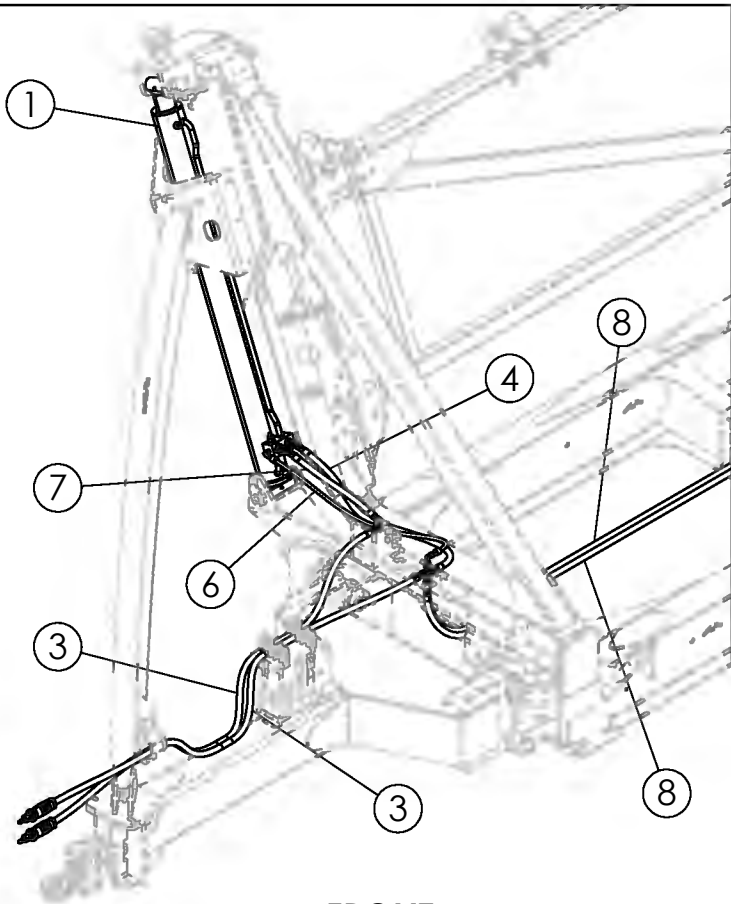
HYDRAULIC MOUNTING

ITEM	PART NO.	DESCRIPTION	QTY
1	319178	PLATE-HOSE CLAMP MOUNT	1
2	1011607	BOLT-HEX: .50 X 1.50 NC GR5 ZP	6
3	1011584	WASHER-FLAT: SAE .50 ZP	22
4	1027461	NUT-TOPLOCK: .50 NC GR5 ZP	10
5	319177	PLATE-HOSE CLAMP BRACKET	2
6	1011606	BOLT-HEX: .50 X 1.25 NC GR5 ZP	6
7	319176	PLATE-HYDRAULIC HOSE CLAMP	2
8	1011600	BOLT-HEX: .38 X 1.00 NC GR5 ZP	6
9	1014608	WASHER-FLAT: SAE .38 ZP	12
10	1016999	NUT-TOPLOCK: .38 NC GR5 ZP	6
11	319342	PLATE-HOSE HOLDER HANDLE	1
12	319343	PLATE-HOSE HOLDER JUNCTION	1
13	318711	PLATE-HOSE CLAMP BLK	1
14	319186	PLATE-BULKHEAD FRAME MOUNT	1
15	319187	PLATE-FRAME BULKHEAD FRONT	1
16	319188	PLATE-FRAME BULKHEAD REAR	1
17	319205	ASSY-HYD HOSE TRAY	1
18	1011581	WASHER-LOCK: .50 ZP	2

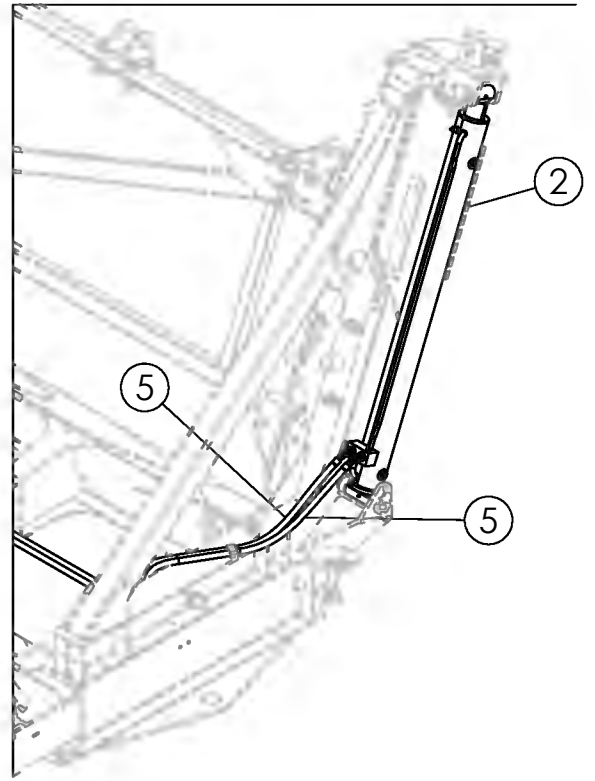


HYDRAULIC HOSE CLAMPS

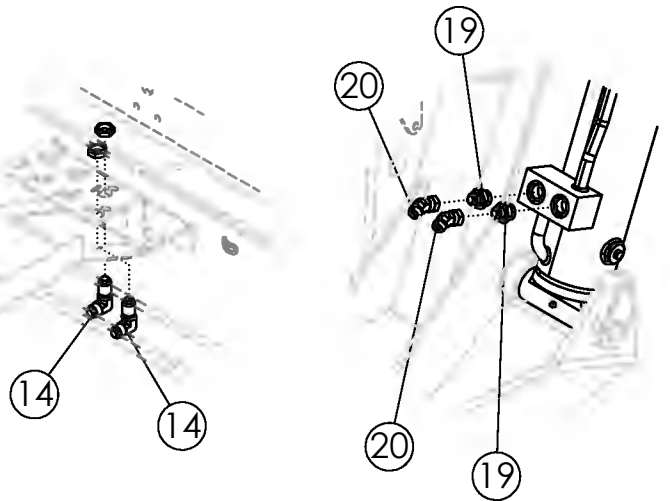
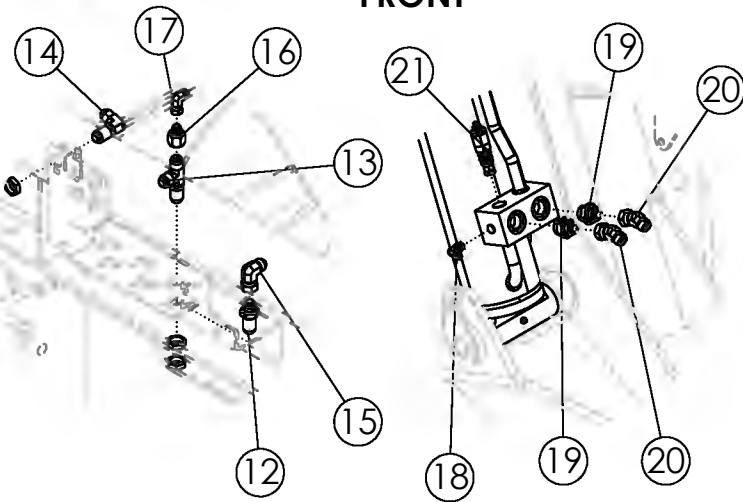
ITEM	PART NO.	DESCRIPTION	QTY
1	50714	CLAMP 1/2" ZP	28
2	63753	CLAMP-HOSE: .75 ZP	30
3	319217	PLATE-MOTOR HOSE BRACKET	4
4	1030884	BOLT-CRG: .38 X 5.00 FULL THREAD GR2	4
5	1011602	BOLT-HEX: .38 X 1.50 NC GR5 ZP	2
6	1019993	STUD-.375 X 5.00 UNC ZP	3
7	305042	STUD-.375 X 4.00 UNC ZP	5
8	65379	STUD-.375 X 3.00 UNC ZP	2
9	1013239	BOLT-HEX: .38 X 3.00 NC GR5 ZP	4
10	59488	BOLT-CRG: .38 X 1.00 NC GR5 ZP	4
11	58679	BOLT-CRG: .38 X 1.50 NC GR5 ZP	3
12	1014608	WASHER-FLAT: SAE .38 ZP	21
13	1013519	NUT-JAM: .38 NC GR2 ZP	45
14	1011586	WASHER-LOCK: .38 ZP	16
15	1011576	NUT-HEX: .38 NC GR2 ZP	14
16	1016999	NUT-TOPLOCK: .38 NC GR5 ZP	11



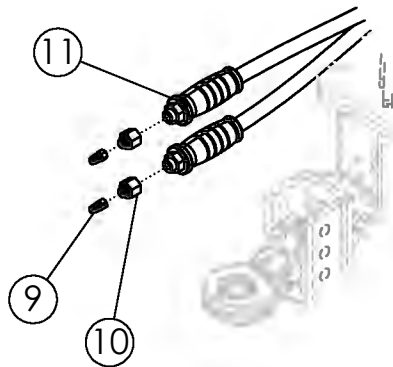
FRONT



REAR

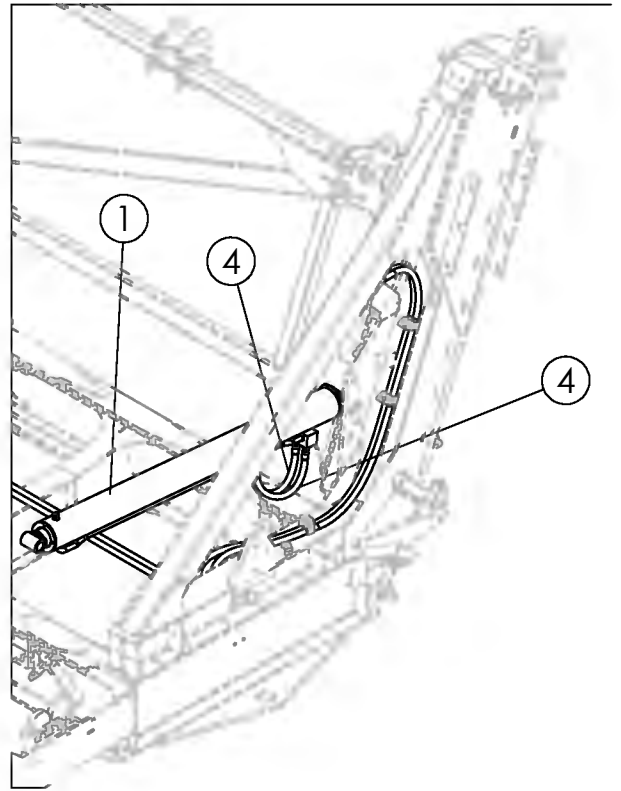
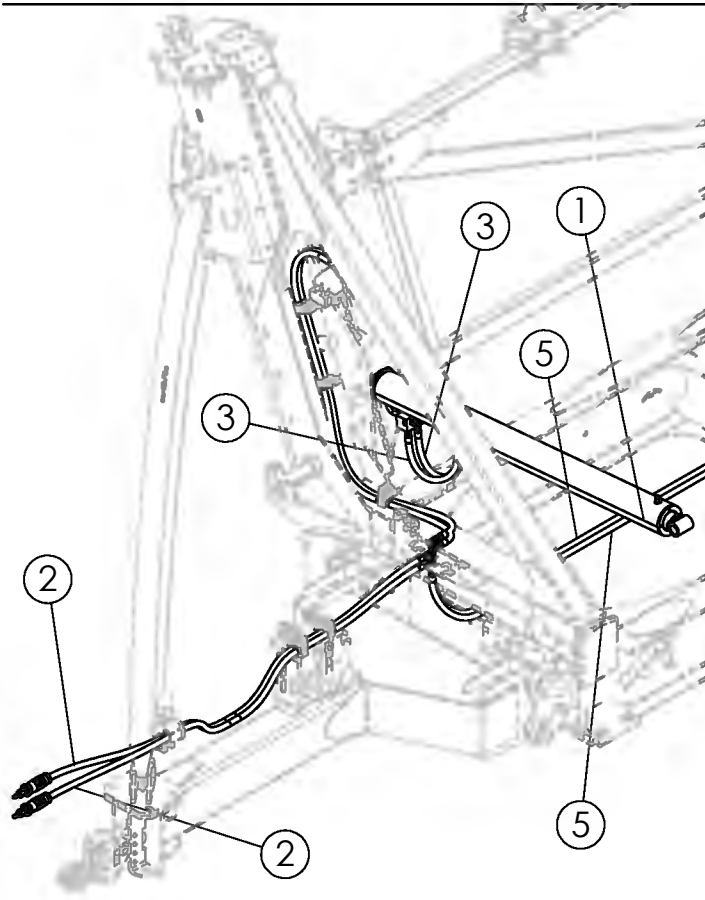


TO TRACTOR



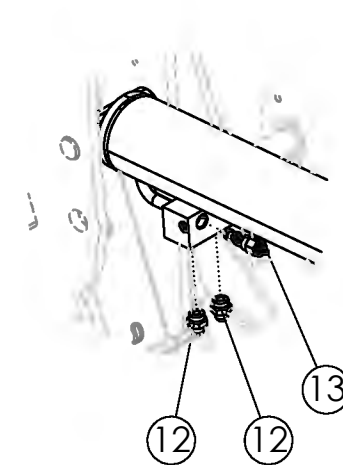
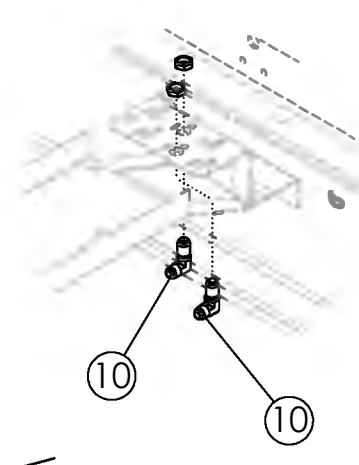
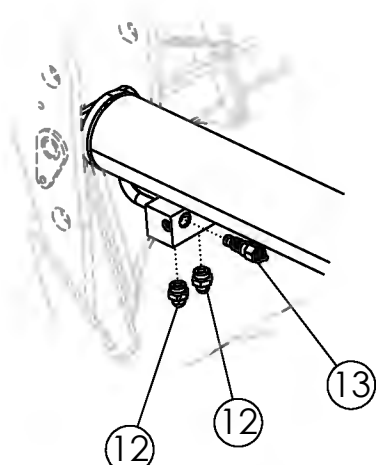
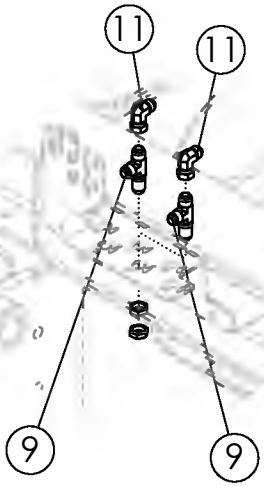
LIFT CYLINDER HYDRAULICS

ITEM	PART NO.	DESCRIPTION	QTY
1	318001	CYL-HYDRAULIC 7.00 X 72 REPHASE	1
2	318002	CYL-HYDRAULIC 5.75 X 72 REPHASE	1
3	318815	HOSE: .75 X 180 12MB-12FJX	2
4	318816	HOSE: .75 X 060 12FJX-12FJX	1
5	318817	HOSE: .75 X 061 12FJX-12FJX	2
6	318818	HOSE: .38 X 056 6FJX-8FJX	1
7	318836	HOSE: .75 X 026 12FJX-12FJX	1
8	318834	HOSE: .75 X 296 12FJX-12FJX	2
9	36290	PIONEER TIP 8010-15P (#8 ORB)	2
10	319333	FTG-ADAPTER: 8MB-12FB	2
11	301923	HYD LABEL: .75 GREEN/GRAY SET	1
12	332918	FTG-BULKHEAD: 12MJ-12MJ	1
13	319336	FTG-BULKHEAD: 12MJ-12MJ-12MJ	1
14	319337	FTG-BULKHEAD: 12MJ-12MJ-90	3
15	59041	FTG-ELBOW: 12MJ-12FJX-90	1
16	66943	FTG-ADAPTER: 12FJ-8MJ	1
17	57668	FTG-ELBOW: 8MJ-8FJX-90	1
18	57754	FTG-ELBOW: 6MB-6MJ-90	1
19	58982	FTG-ADAPTER: 16MB-12MJ	4
20	62014	FTG-ELBOW: 12MJ-12FJX-45	4
21	316031	COUNTERBALANCE VALVE CARTRIDGE-4:1 3045PSI	1

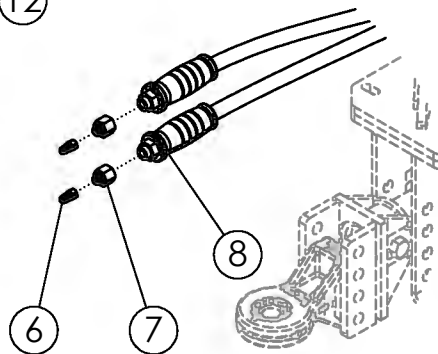


FRONT

REAR

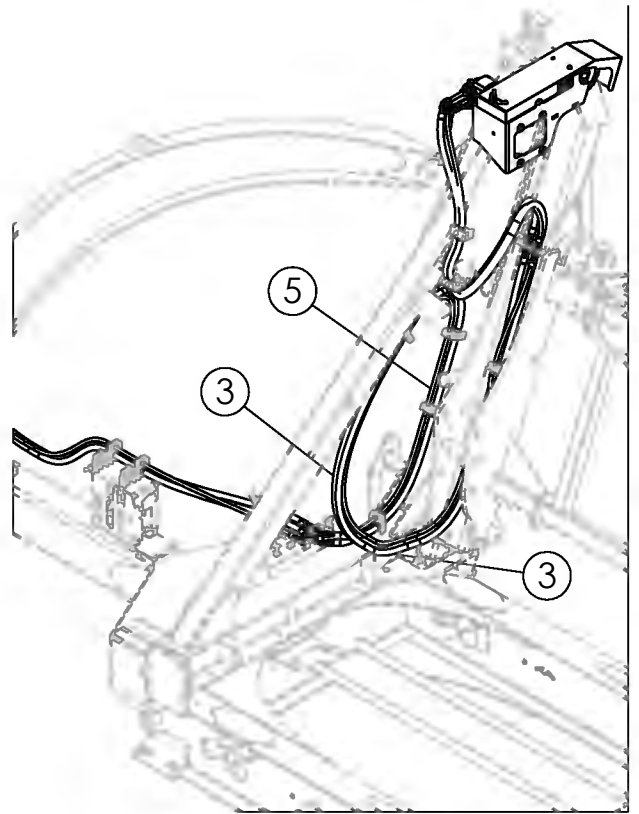
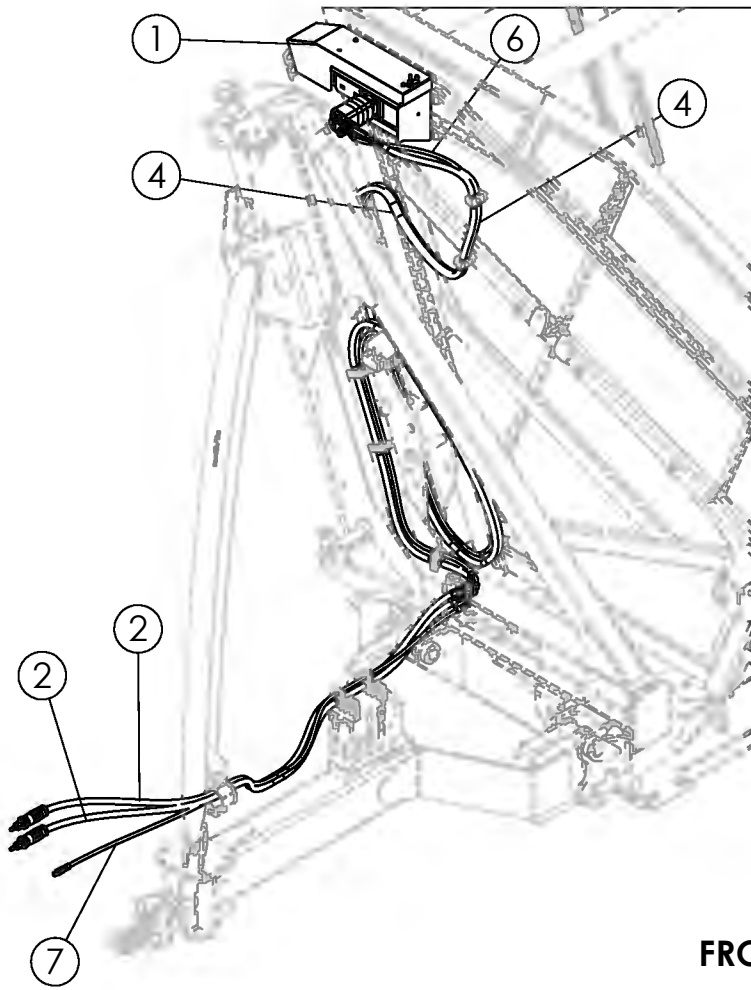


TO TRACTOR

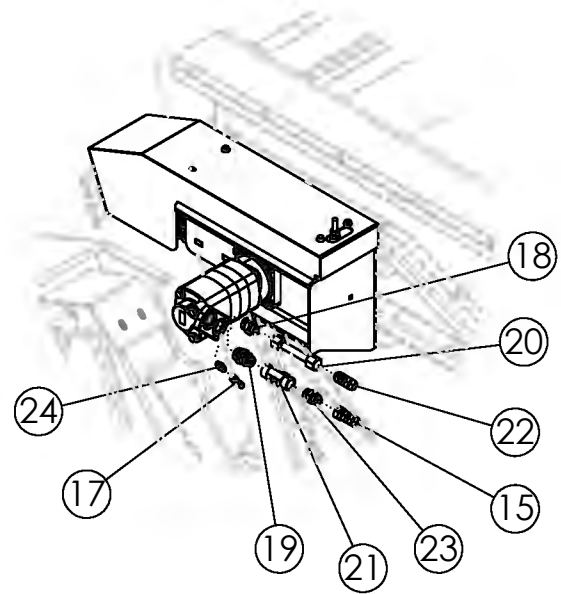
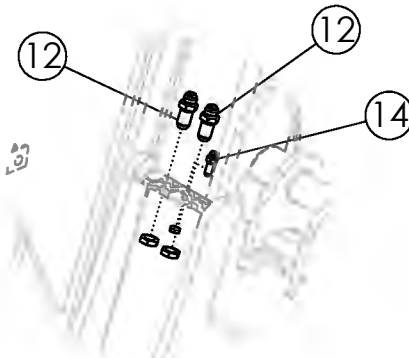
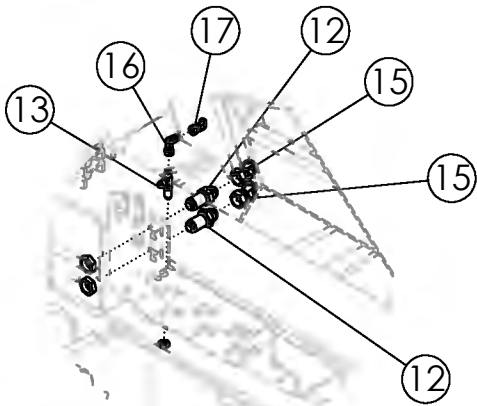


TILT CYLINDER HYDRAULICS

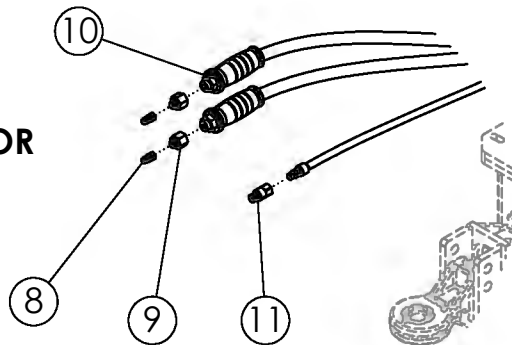
ITEM	PART NO.	DESCRIPTION	QTY
1	318003	CYL-HYDRAULIC 6.00 X 72	2
2	318815	HOSE: .75 X 180 12MB-12FJX	2
3	318819	HOSE: .75 X 180 12FJX-12FJX	2
4	318820	HOSE: .75 X 204 12FJX-12FJX	2
5	318834	HOSE: .75 X 296 12FJX-12FJX	2
6	36290	PIONEER TIP 8010-15P (#8 ORB)	2
7	319333	FTG-ADAPTER: 8MB-12FB	2
8	301928	HYD LABEL: .75 YELLOW/GRAY SET	1
9	319336	FTG-BULKHEAD: 12MJ-12MJ-12MJ	2
10	319337	FTG-BULKHEAD: 12MJ-12MJ-90	2
11	59041	FTG-ELBOW: 12MJ-12FJX-90	2
12	58982	FTG-ADAPTER: 16MB-12MJ	4
13	316031	COUNTERBALANCE VALVE CARTRIDGE-4:1 3045PSI	2



FRONT

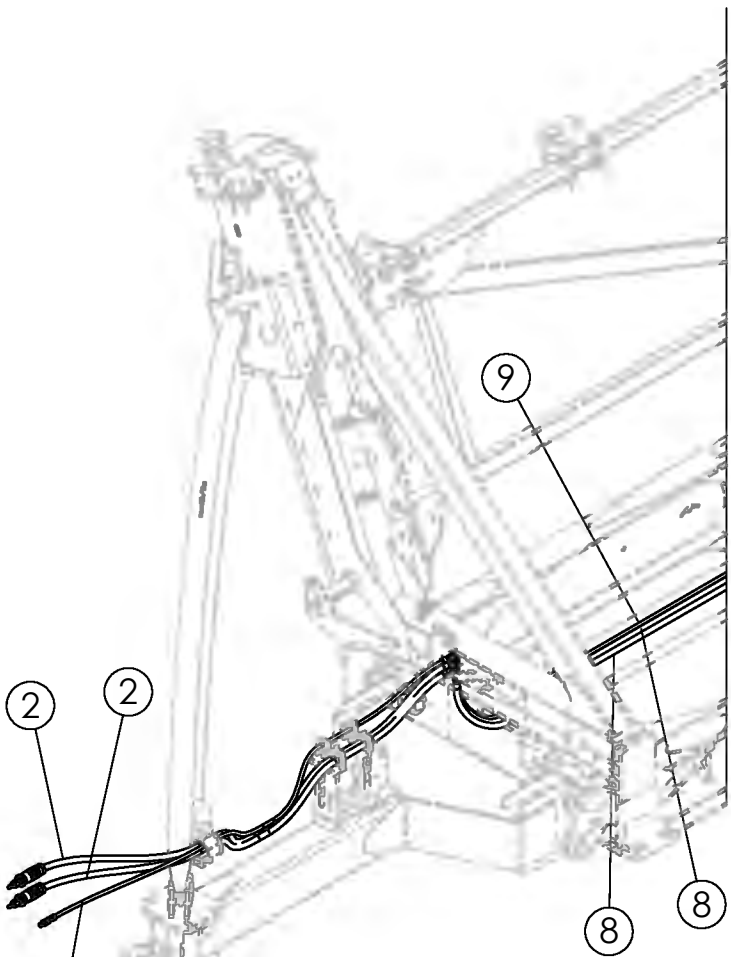


TO TRACTOR

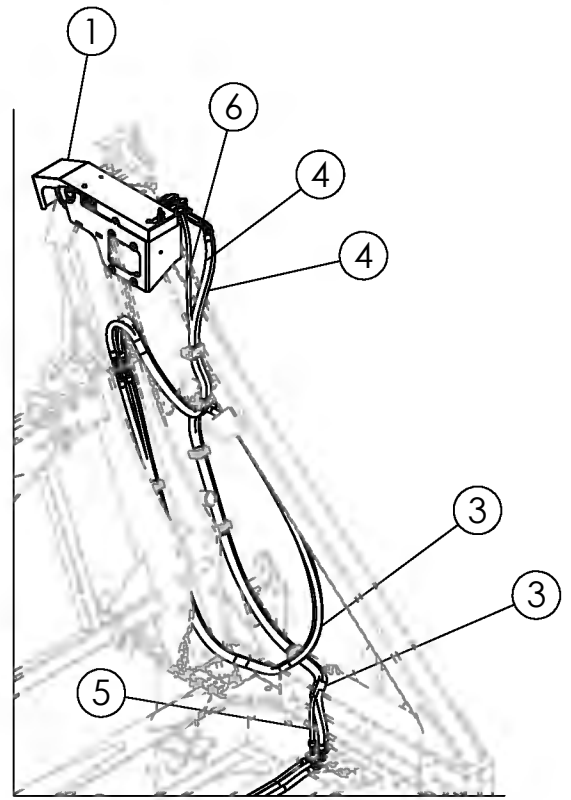


FRONT MOTOR HYDRAULICS

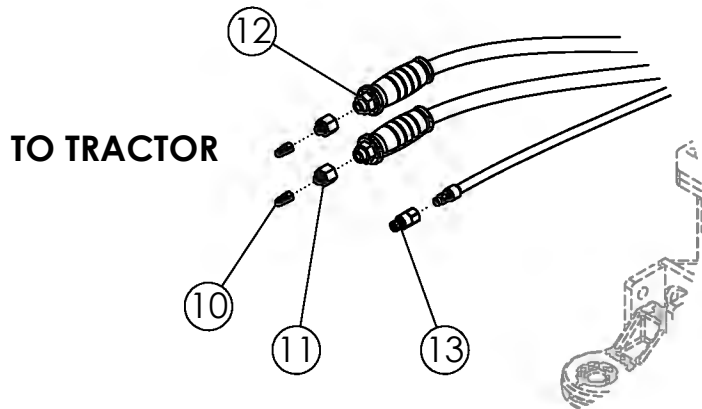
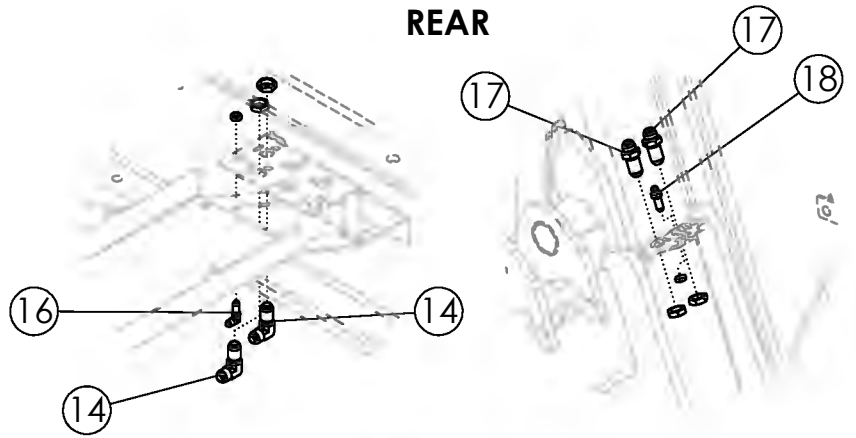
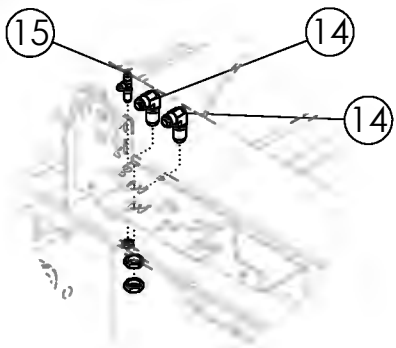
ITEM	PART NO.	DESCRIPTION	QTY
1	319054	ASSY-FLOOR CHAIN MOTORS	1
2	318815	HOSE: .75 X 180 12MB-12FJX	2
3	318821	HOSE: .75 X 224 12FJX-12FJX	2
4	318822	HOSE: .75 X 106 12FJX-12FJX	2
5	318823	HOSE: .38 X 220 6FJX-6FJX	1
6	318824	HOSE: .38 X 112 6FJX-6FJX	1
7	318837	HOSE: .38 X 190 8MB-6FJX	1
8	36290	PIONEER TIP 8010-15P (#8 ORB)	2
9	319333	FTG-ADAPTER: 8MB-12FB	2
10	302303	HYD LABEL: .75 RED/GRAY SET	1
11	69119	FTG-CASE DRAIN 3/8 FLAT FACE (NON-SPILL)	1
12	332918	FTG-BULKHEAD: 12MJ-12MJ	4
13	319335	FTG-BULKHEAD: 6MJ-6MJ-6MJ	1
14	319339	FTG-BULKHEAD: 6MJ-6MJ	1
15	62014	FTG-ELBOW: 12MJ-12FJX-45	3
16	57897	FTG-ELBOW: 6MJ-6FJX-90	1
17	301538	FTG-ELBOW: 6MJ-6FJX-45	2
18	58982	FTG-ADAPTER: 16MB-12MJ	1
19	319089	FTG-ADAPTER: 16MB-12MB	1
20	63471	ASSY-TUBE LINE .75 X 5.25 0-0	1
21	319088	VALVE-CHECK: 12FB-12FB	1
22	319334	FTG-ELBOW: 12MJ-12MJ-45	1
23	65918	FTG-ADAPTER: 12MB-12MJ	1
24	300245	FTG-ADAPTER: 4MB-6MJ	1



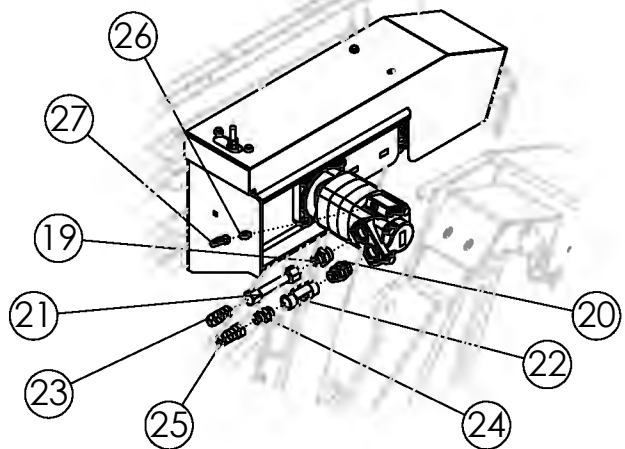
FRONT



REAR

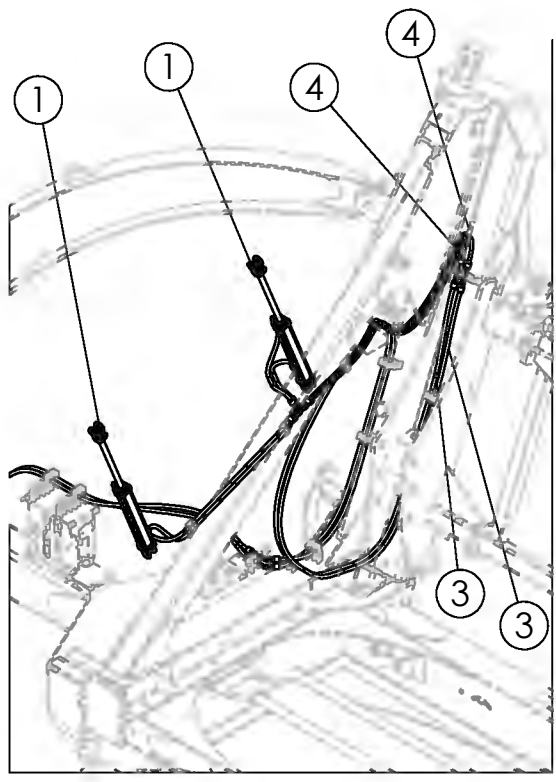
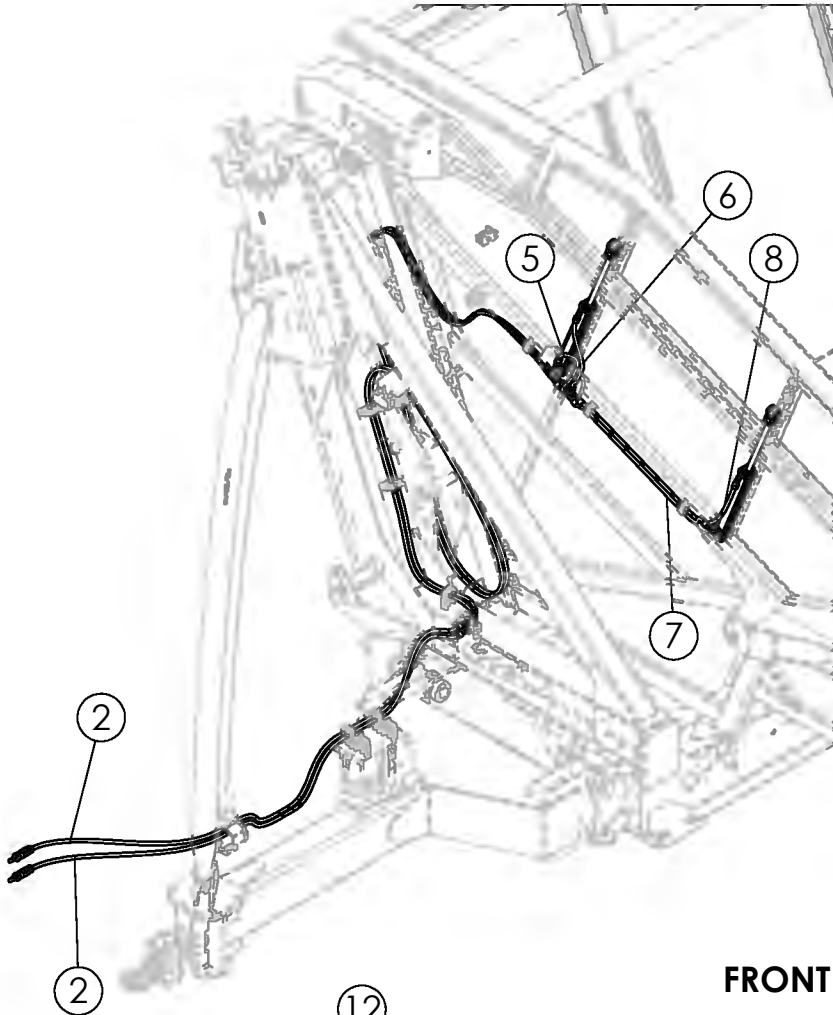


TO TRACTOR

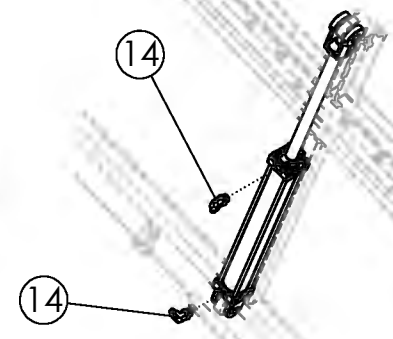
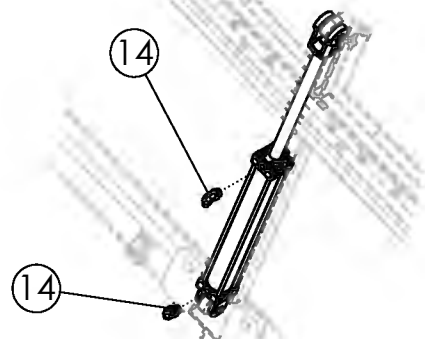
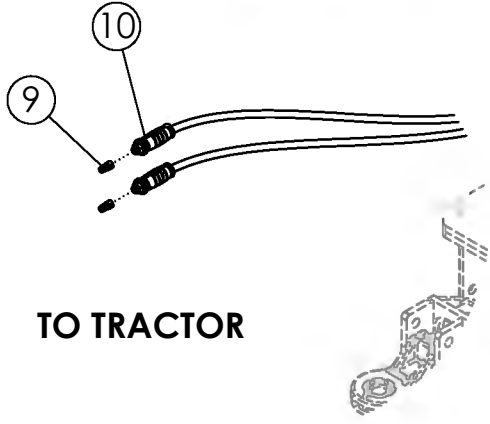
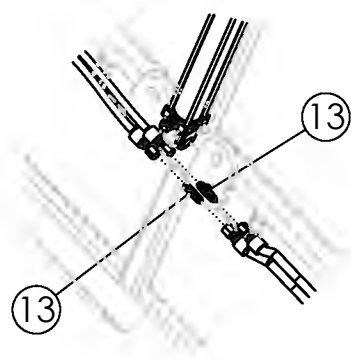
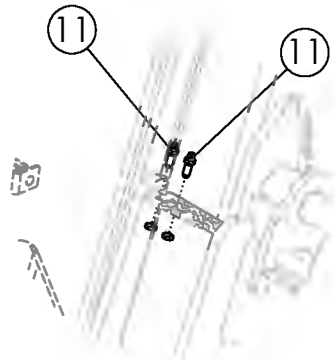
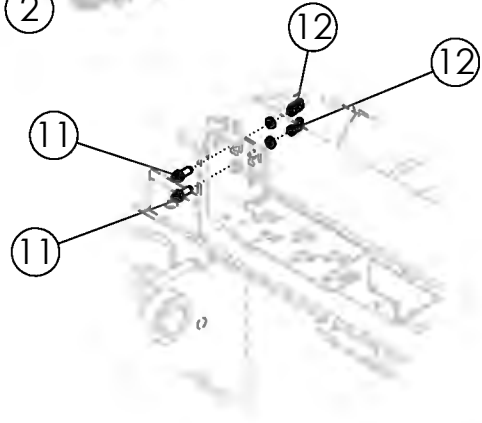


REAR MOTOR HYDRAULICS

ITEM	PART NO.	DESCRIPTION	QTY
1	319054	ASSY-FLOOR CHAIN MOTORS	1
2	318815	HOSE: .75 X 180 12MB-12FJX	2
3	318825	HOSE: .75 X 242 12FJX-12FJX	2
4	318822	HOSE: .75 X 106 12FJX-12FJX	2
5	318826	HOSE: .38 X 234 6FJX-6FJX	1
6	318824	HOSE: .38 X 112 6FJX-6FJX	1
7	318837	HOSE: .38 X 190 8MB-6FJX	1
8	318834	HOSE: .75 X 296 12FJX-12FJX	2
9	318835	HOSE: .38 X 296 6FJX-6FJX	1
10	36290	PIONEER TIP 8010-15P (#8 ORB)	2
11	319333	FTG-ADAPTER: 8MB-12FB	2
12	303764	HYD LABEL: .75 BLACK/GRAY SET	1
13	69119	FTG-CASE DRAIN 3/8 FLAT FACE (NON-SPILL)	1
14	319337	FTG-BULKHEAD: 12MJ-12MJ-90	4
15	319335	FTG-BULKHEAD: 6MJ-6MJ-6MJ	1
16	319338	FTG-BULKHEAD: 6MJ-6MJ-90	1
17	332918	FTG-BULKHEAD: 12MJ-12MJ	2
18	319339	FTG-BULKHEAD: 6MJ-6MJ	1
19	58982	FTG-ADAPTER: 16MB-12MJ	1
20	319089	FTG-ADAPTER: 16MB-12MB	1
21	63471	ASSY-TUBE LINE .75 X 5.25 0-0	1
22	319088	VALVE-CHECK: 12FB-12FB	1
23	319334	FTG-ELBOW: 12MJ-12MJ-45	1
24	65918	FTG-ADAPTER: 12MB-12MJ	1
25	62014	FTG-ELBOW: 12MJ-12FJX-45	1
26	300245	FTG-ADAPTER: 4MB-6MJ	1
27	301538	FTG-ELBOW: 6MJ-6FJX-45	1

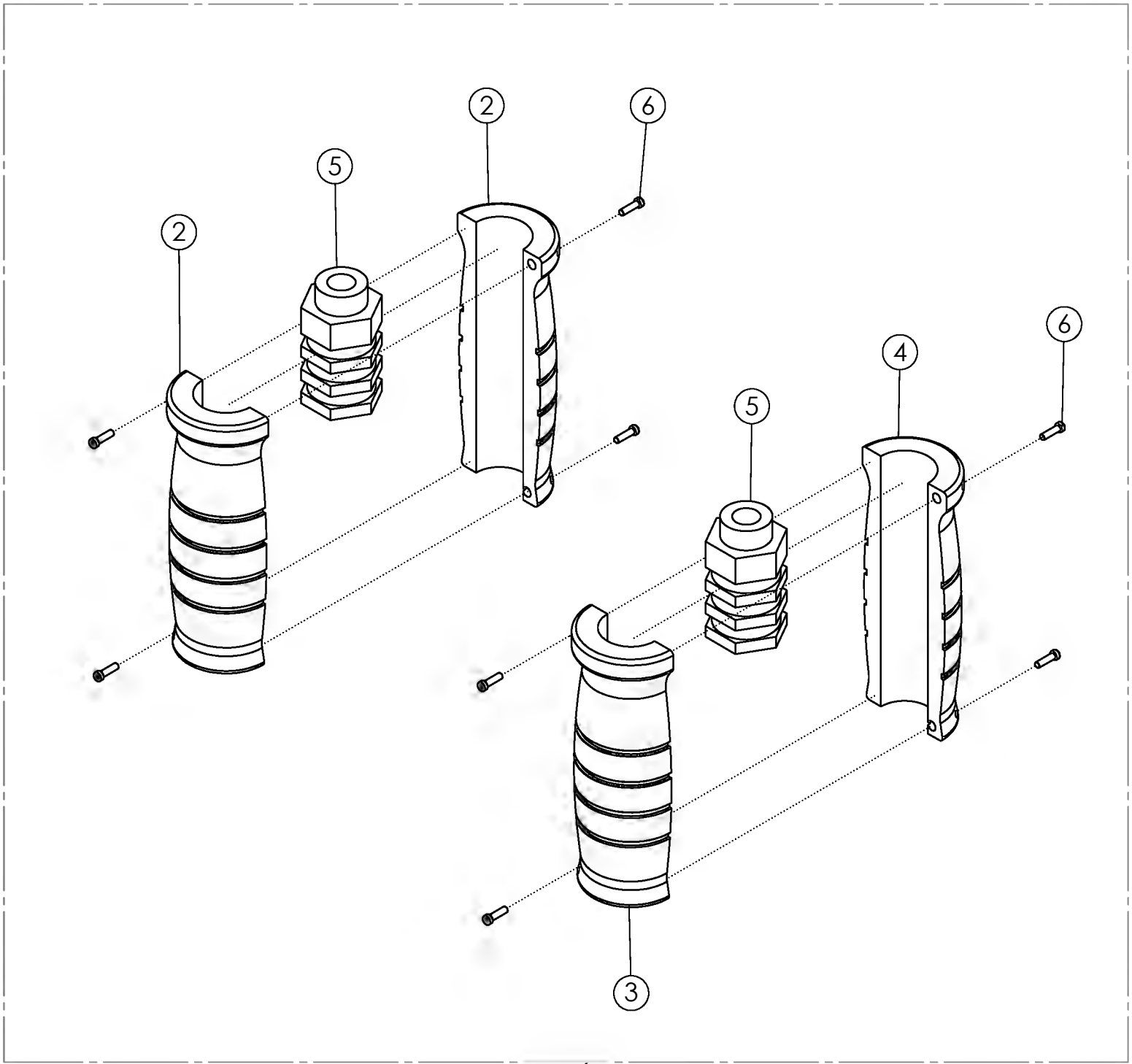


FRONT



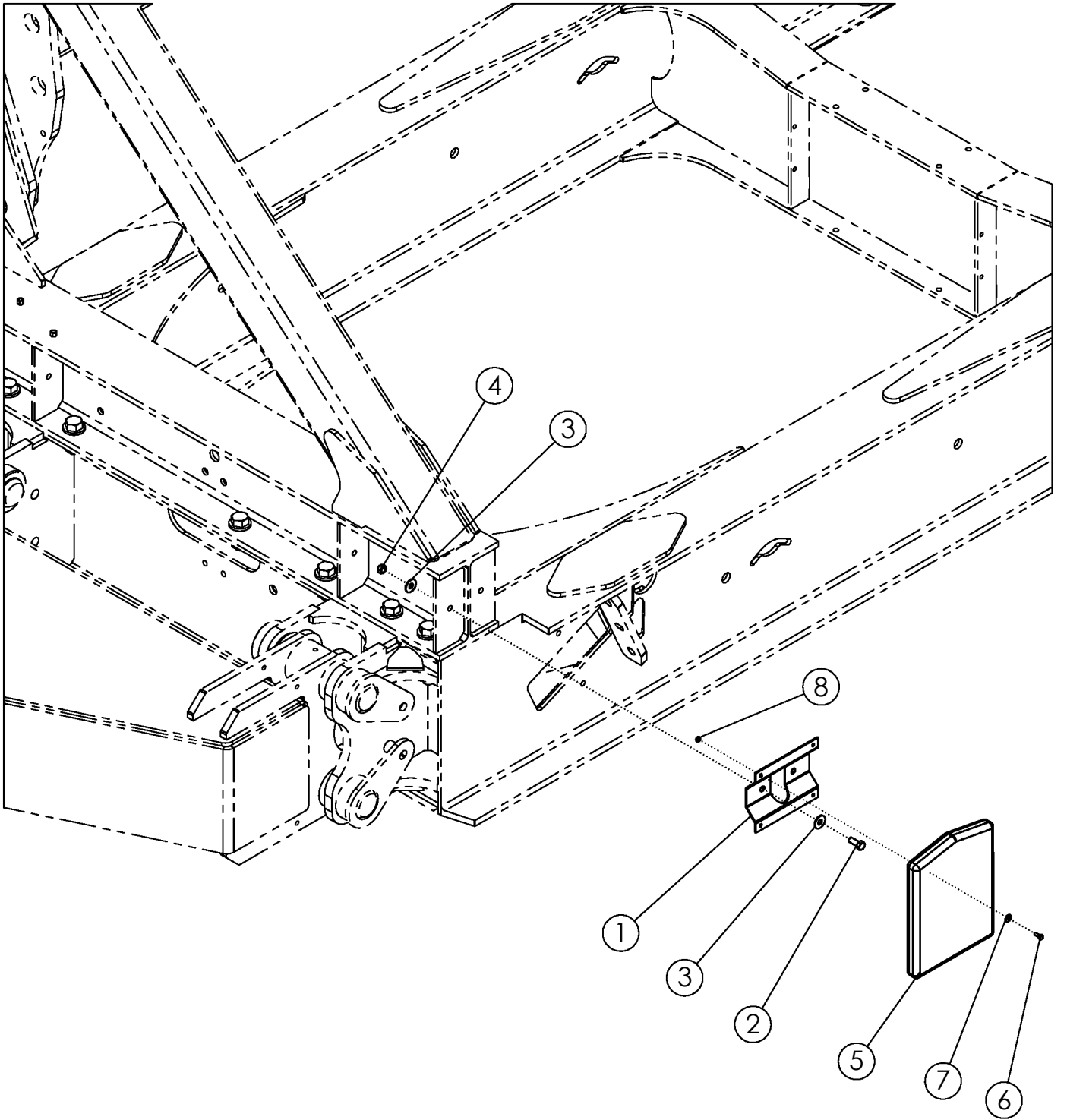
TANK DOOR HYDRAULICS

ITEM	PART NO.	DESCRIPTION	QTY
1	318892	CYLINDER-HYD 2 X 16 (TIE-ROD)	2
2	318827	HOSE: .38 X 180 8MB-6FJX	2
3	318828	HOSE: .38 X 217 6FJX-6FJX	2
4	318829	HOSE: .38 X 080 6FJX-6FJX	2
5	318830	HOSE: .38 X 020 6FJX-6FJX	1
6	318831	HOSE: .38 X 028 6FJX-6FJX	1
7	318832	HOSE: .38 X 056 6FJX-6FJX	1
8	318833	HOSE: .38 X 071 6FJX-6FJX	1
9	36290	PIONEER TIP 8010-15P (#8 ORB)	2
10	301920	HYD LABEL: .50 ORANGE/GRAY SET	1
11	319339	FTG-BULKHEAD: 6MJ-6MJ	4
12	301538	FTG-ELBOW: 6MJ-6FJX-45	2
13	63890	FTG-TEE: 6MJ-6MJ-6MJ	2
14	58557	FTG-ELBOW: 8MB-6MJ-90	4



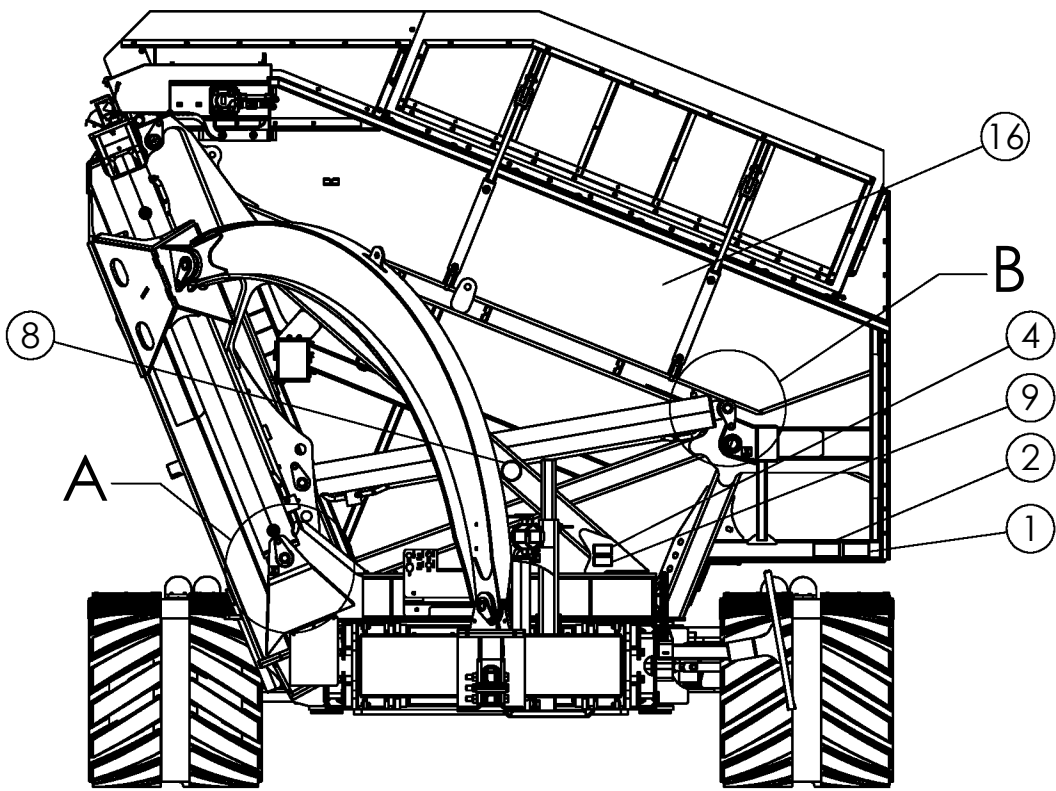
HYDRAULIC LABEL ASSY

ITEM	PART NO.	DESCRIPTION	QTY
1	301923	HYD LABEL: .75 GREEN/GRAY SET	1
	301928	HYD LABEL: .75 YELLOW/GRAY SET	
	302303	HYD LABEL: .75 RED/GRAY SET	
	303764	HYD LABEL: .75 BLACK/GRAY SET	
	301920	HYD LABEL: .50 ORANGE/GRAY SET	
	301902	HYD LABEL: .50 BLUE/GRAY SET	
2	301925	HYD LABEL: .75 GREEN HALF EXTEND	2
	301929	HYD LABEL: .75 YELLOW HALF EXTEND	
	302304	HYD LABEL: .75 RED HALF EXTEND	
	303765	HYD LABEL: .75 BLACK HALF EXTEND	
	301921	HYD LABEL: .50 ORANGE HALF EXTEND	
	301903	HYD LABEL: .50 BLUE HALF EXTEND	
3	301926	HYD LABEL: .75 GREEN HALF RETRACT	1
	301930	HYD LABEL: .75 YELLOW HALF RETRACT	
	302305	HYD LABEL: .75 RED HALF RETRACT	
	303766	HYD LABEL: .75 BLACK HALF RETRACT	
	301922	HYD LABEL: .50 ORANGE HALF RETRACT	
	301904	HYD LABEL: .50 BLUE HALF RETRACT	
4	301927	HYD LABEL: .75 GRAY HALF RETRACT	1
	301905	HYD LABEL: .50 GRAY HALF RETRACT	
5	301924	HYD LABEL: .75 CORE M & F O-RING	2
	301906	HYD LABEL: .50 CORE M & F O-RING	
6	301907	HYD LABEL: SET SCREW	8

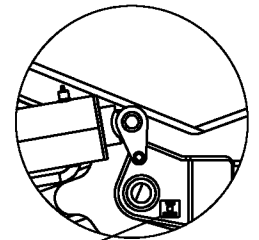
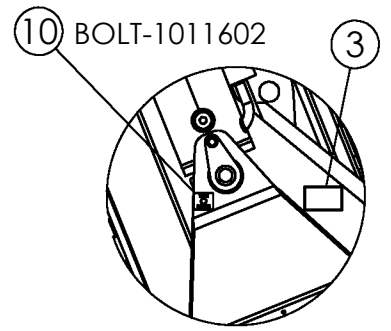


MANUAL STORAGE

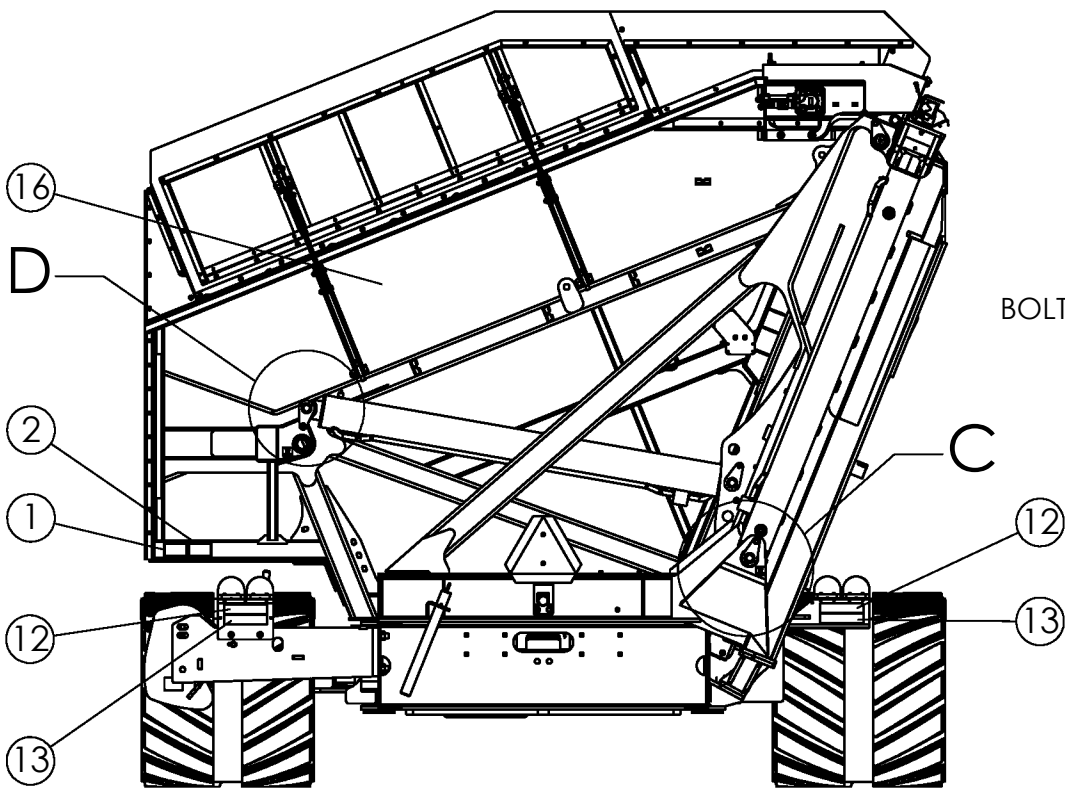
ITEM	PART NO.	DESCRIPTION	QTY
1	318766	PLATE-MANUAL BOX MOUNT	1
2	1011606	BOLT-HEX: 50 X 1.25 NC GR5 ZP	2
3	1014443	WASHER-FLAT: .50 ZP	4
4	1027461	NUT-TOPLOCK: .50 NC GR5 ZP	2
5	64635	CASE-MANUAL STORAGE	1
6	1011595	BOLT-HEX: .25 X .75 NC GR5 ZP	4
7	1020416	WASHER-FLAT: .25 ZP	4
8	1030946	NUT-TOPLOCK: .25 NC GR5 ZP	4



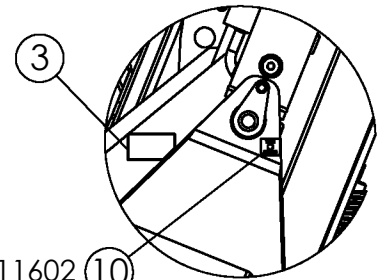
FRONT



DETAIL B
SCALE 1 : 20

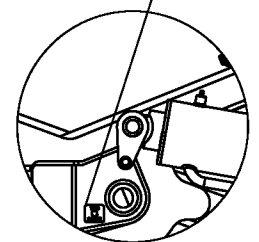


REAR



DETAIL C
SCALE 1 : 20

BOLT-1011602



DETAIL D
SCALE 1 : 20

DECALS

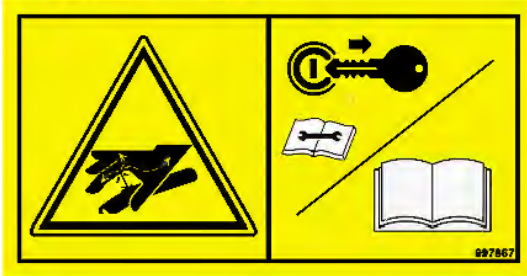
1 997841 QTY 2



2 303265 QTY 2



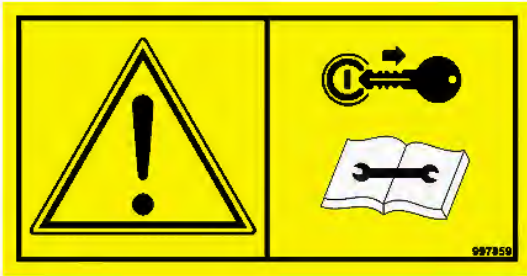
3 997867 QTY 4



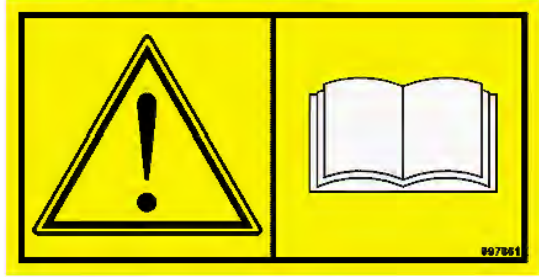
4 9971015 QTY 1



5 997859 QTY 1



6 997861 QTY 1



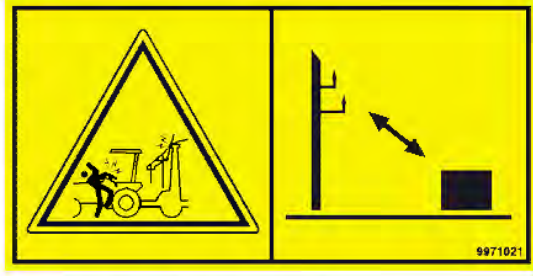
7 63465 QTY 1



8 9971018 QTY 1



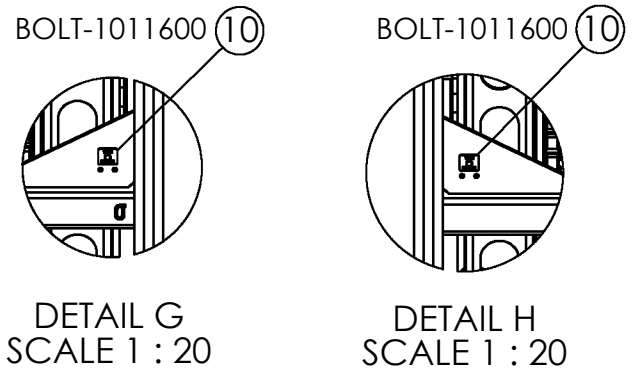
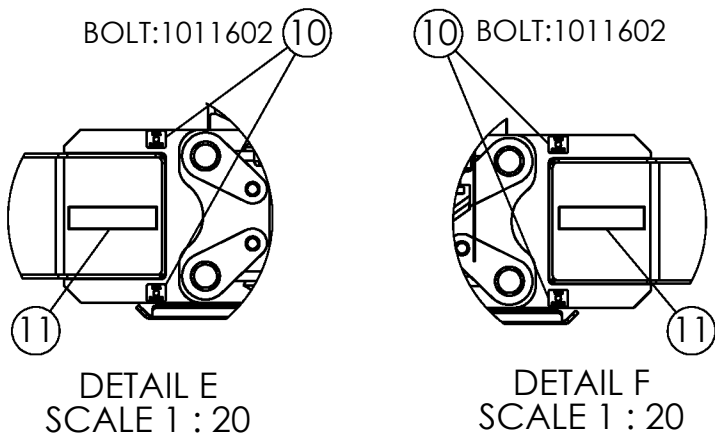
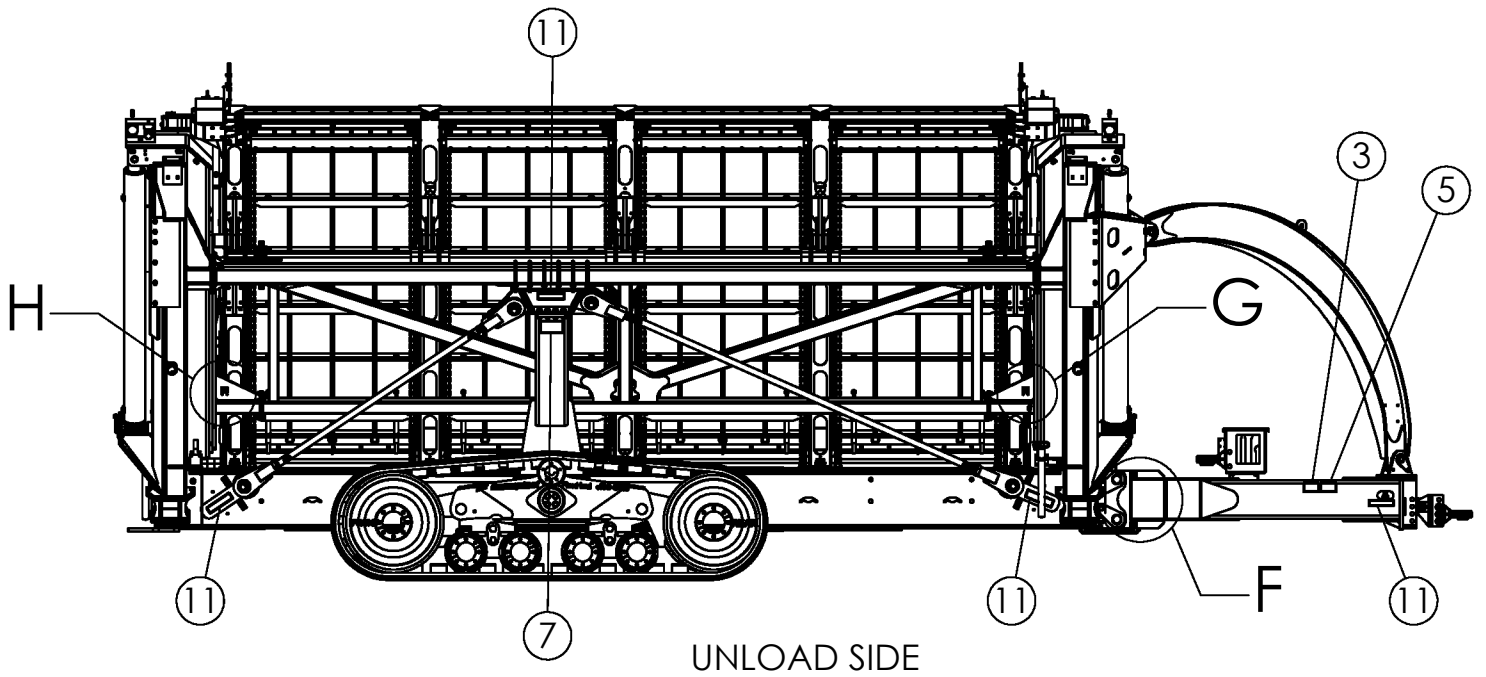
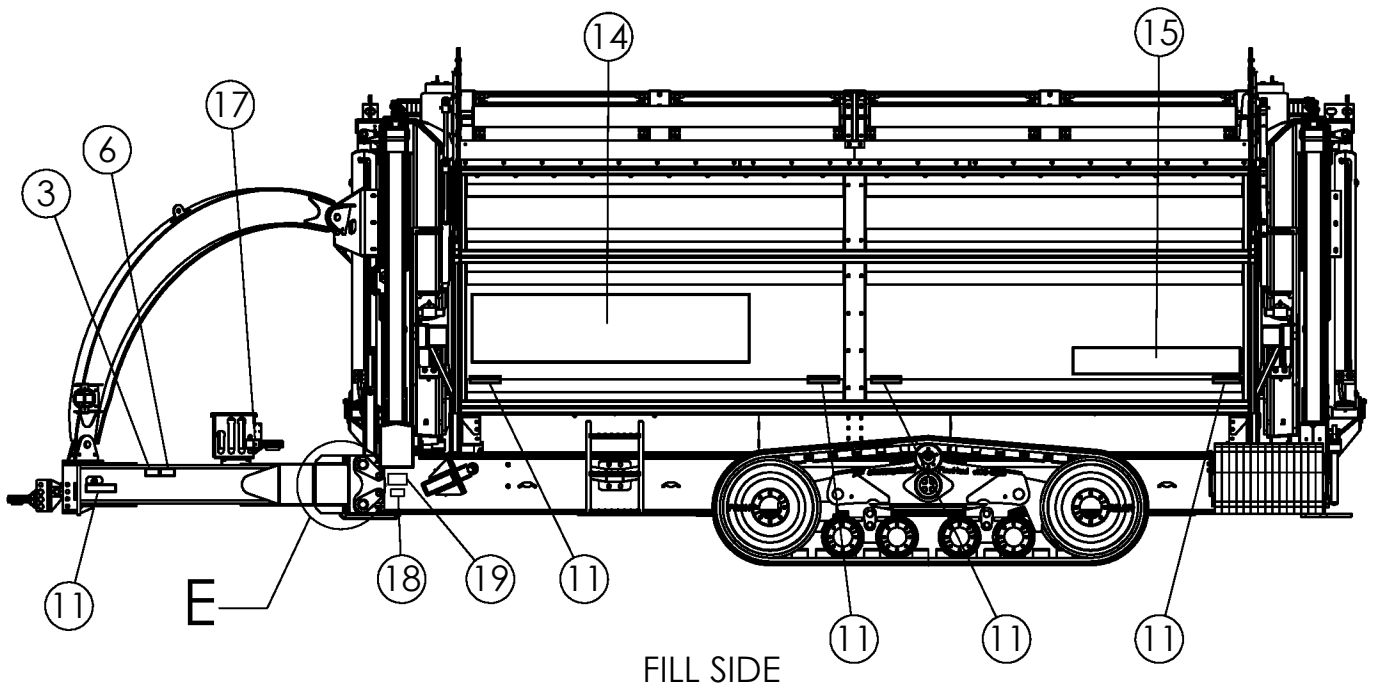
9 9971021 QTY 1



- 10 319223 (PLATE) QTY 12
- 1011602 (BOLT) QTY 8
- 1011601 (BOLT) QTY 2
- 1011600 (BOLT) QTY 2
- 303731 (NUT) QTY 12

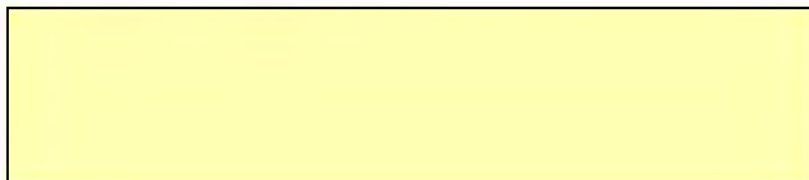


CONTINUED

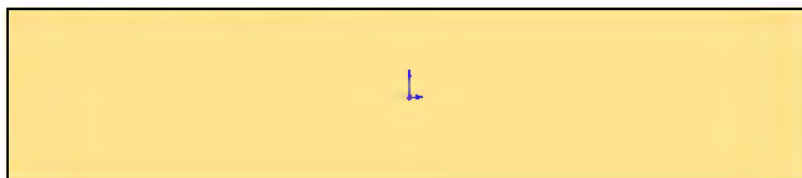


DECALS (CONTINUED)

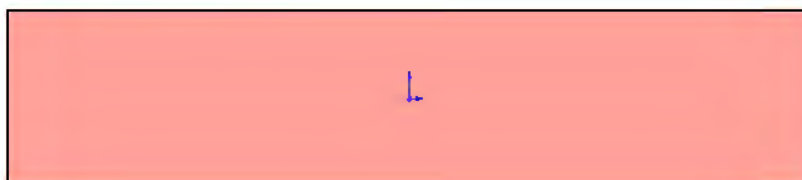
11 65331 QTY 11



12 65332 QTY 2



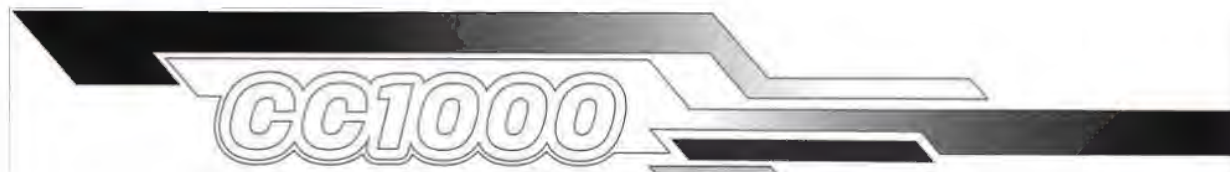
13 65330 QTY 2



14 318694 QTY 1



15 318695 QTY 1



CONTINUED

DECALS (CONTINUED)

16 318696 QTY 2



17 319013 QTY 1

CC1000 HOSE CHART

Green	Lift Cylinders
Yellow	Tilt Cylinders
Red	Front Floor Chain
Black	Rear Floor Chain
Blue	Hydraulic Jack
Orange	Flip Down Tank Door
None	Case Drain

PW 319013

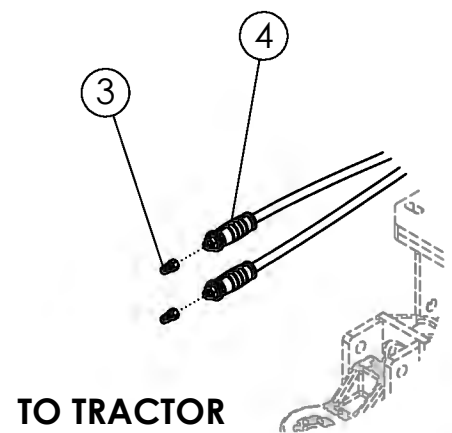
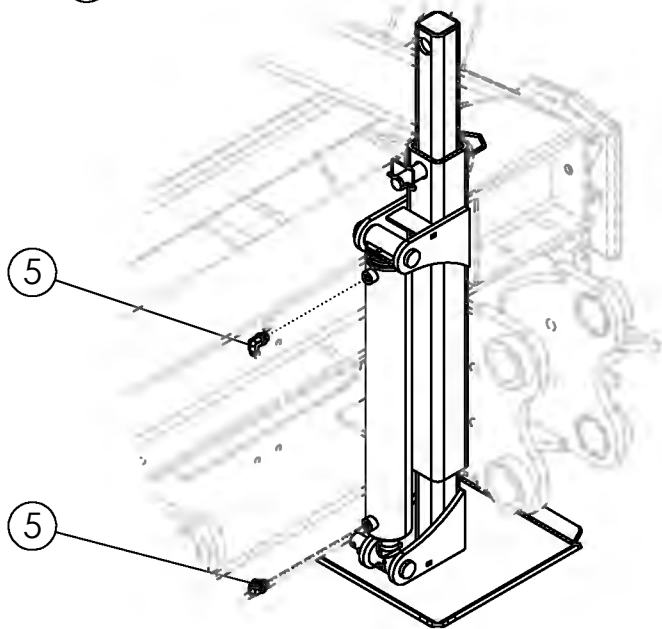
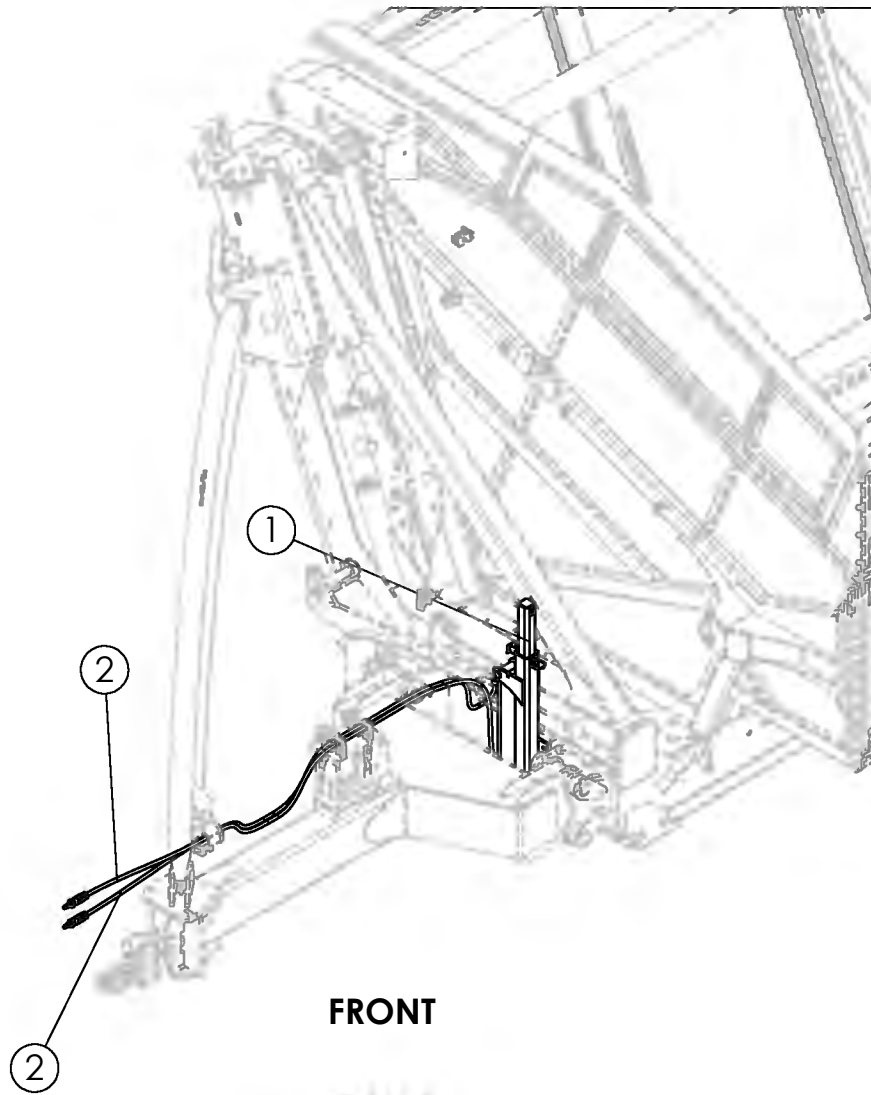
18 303769 QTY 1



19 303804 QTY 1



INTENTIONALLY LEFT BLANK



JACK HYDRAULICS

ITEM	PART NO.	DESCRIPTION	QTY
1	318086	ASSY-HYDRAULIC JACK	1
2	318827	HOSE: .38 X 180 8MB-6FJX	2
3	36290	PIONEER TIP 8010-15P (#8 ORB)	2
4	301902	HYD LABEL: .50 BLUE/GRAY SET	1
5	58557	FTG-ELBOW: 8MB-6MJ-90	2

