

# PARTS MANUAL

2016

2500 HARVESTER SCRUB  
EXPORT

8 ROW 56

**Amity**  
TECHNOLOGY



2800 7<sup>th</sup> Avenue North  
Fargo, ND 58102

Phone: (701) 232-4199

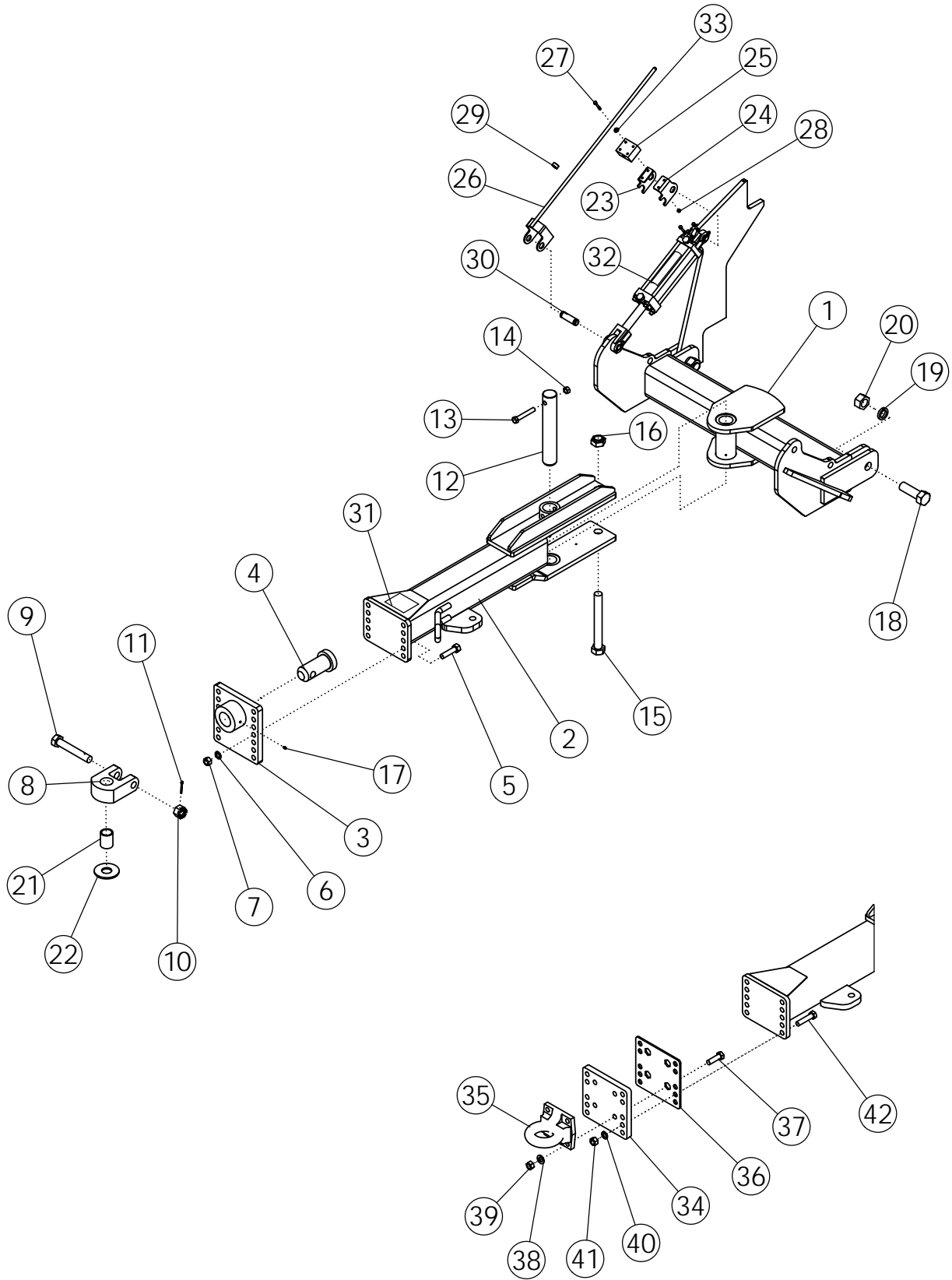
Fax: (701) 234-1716

[www.amitytech.com](http://www.amitytech.com)



# TABLE OF CONTENTS

HITCH ASSEMBLY.....	1-2
LIFTER STRUT.....	3-4
ROW FINDER.....	5-8
GUARDS & SHIELDS.....	9-12
DOOR ASSY .....	13-14
MAIN FRAME ASSY.....	15-16
APRON SHAFT.....	17-18
PADDLE SHAFT.....	19-20
CLEANING ROLLS.....	21-22
CLEANING ROLL MOUNTING PACKAGE.....	23-24
MAIN DRIVE: ONBOARD OPTION.....	25-26
CLEANING ROLL DRIVE.....	27-28
APRON/PADDLE SHAFT DRIVE .....	29-30
TANK ASSEMBLY .....	31-32
ELEVATOR AND BOOM ASSEMBLY.....	33-36
REAR SCRUB ASSEMBLY.....	37-40
REAR SCRUB: BELTED CHAIN.....	41-42
REAR SCRUB DRIVE: SINGLE MOTOR.....	43-46
REAR STRUTS.....	47-48
RF & HITCH HYDRAULICS: ONBOARD OPTION.....	49-52
TANK HYDRAULICS.....	53-54
HYDRAULIC TANK.....	55-56
LIGHT KIT.....	57-58
PTO DRIVELINE #51481.....	59-60
PTO DRIVELINE #301150.....	61-62
PTO DRIVELINE #64168 .....	63-64
GEARBOX (1.81:1) #62396.....	65-66
SELECTOR VALVE #58470.....	67-68
RF VALVE #62350.....	69-70
SPROCKET #63813 ,BELT TIGHTENER #56422.....	71-72
SLIP-CLUTCH #57926.....	73-74
SLIP-CLUTCH/SPROCKET #57993, #58335.....	73-74
IDLER PULLEY #56409, SPROCKET IDLER #56851.....	75-76
ROLLERS.....	77-78
TOOL KIT.....	79-80
BELTED LAP JOINT CONNECT.....	81
BELTED CHAIN #59180 - REPAIR KIT.....	82
RIVET CUTTER #62082 - .....	83

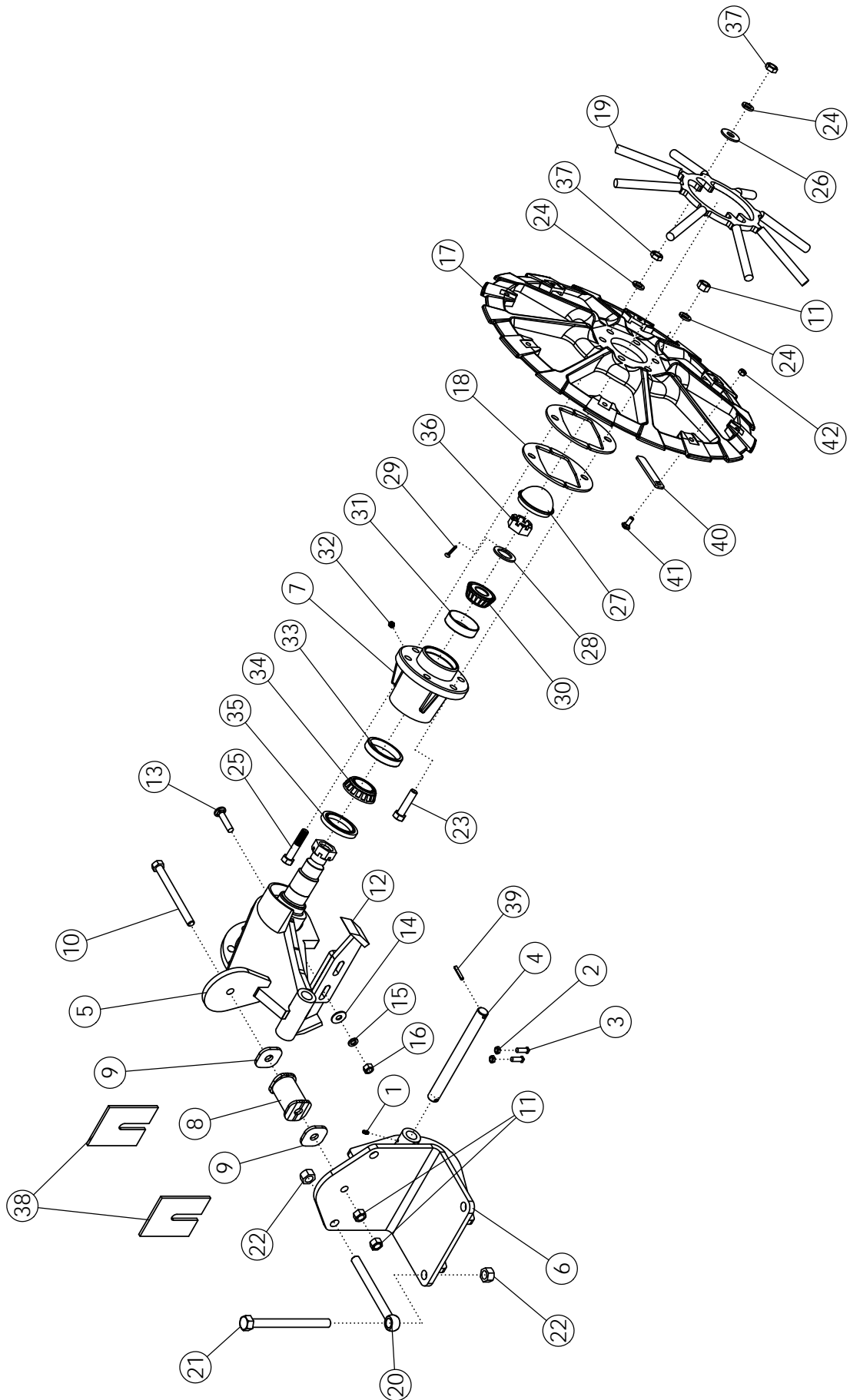


# HITCH

ITEM	PART NO.	DESCRIPTION	QTY
1	63192	WLDMT-EXPORT HITCH PIVOT	1
2	63195	WLDMT - DRAWPOLE	1
3	57930	WLDMT-HITCH PLATE	1
4	62101	WLDMT-PIN	1
5	1012059	BOLT-HEX: .75 X 3.00 NC GR5 ZP	6
6	1012061	WASHER-LOCK: .75 ZP	6
7	1011620	NUT-HEX: .75 NC GR2 ZP	6
8	64476	PLATE-PULL HITCH	1
9	62477	BOLT-HITCH DRILLED	1
10	62088	NUT-SLOTTED: 1.13 NC GR5 ZP	1
11	1013473	PIN-COTTER: .19 X 2.00 ZP	1
12	50678	PIN	1
13	1015117	BOLT-HEX: .63 X 4.00 NC GR8 ZP	1
14	1016595	NUT-TOPLOCK: .63 NC GR5 ZP	1
15	1030756	BOLT-HEX: 1.25 X 10.50 NC GR5 ZP	1
16	1030759	NUT-TOPLOCK: 1.25 NC ZP	1
17	1011748	ZERK - GREASE: .25 UNF STRAIGHT	5
18	1030757	BOLT-HEX: 1.63 X 4.25 NC GR5 ZP	2
19	1030760	WASHER-LOCK: 1.38 ZP	2
20	1030758	NUT-HEX: 1.38 NC ZP	2
21	64614	SLEEVE 1.63 (OPTIONAL TO FIT TRACTOR)	1
22	58925	WASHER-HARDENED 4.000 X 1.63	1
	68645	WASHER-FLAT: 2.00 ZP GR8	
23	63995	TOP_BRACKET - RH	1
24	63996	TOP_BRACKET - LH	1
25	63383	POLY GUIDE BLOCK	1
26	63999	WLDMT - BOTTOM_BRACKET	1
27	1016211	BOLT-HEX: .25 X 2.00 NC GR5	4
28	1030946	NUT-TOPLOCK: .25 NC GR5 ZP	4
29	63359	COLLAR-SET: .56 ZP	1
30	63406	PIN-CLEVIS: 1.00 X 4.00 ZP	2
31	52248R	DECAL-CAUTION	1
32	63405	DECAL-DEPTH GAUGE	1
33	1020416	WASHER-FLAT: .25 ZP	4

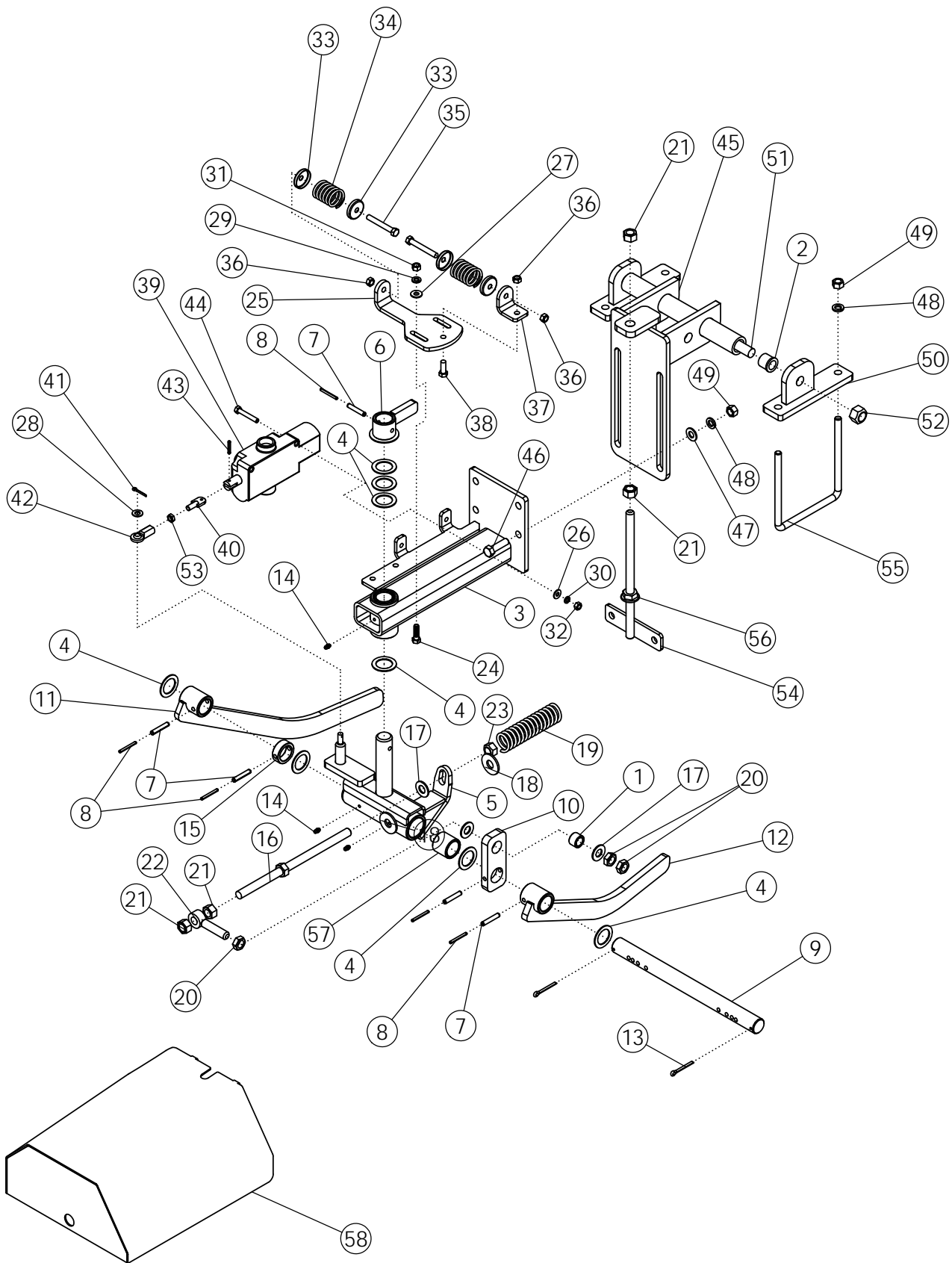
# PINTLE HITCH

34	64201	PLATE - MOUNT	1
35	64200	HITCH-PINTLE	1
36	64254	PLATE - MOUNT	1
37	62096	BOLT-HEX: .75 X 2.50 NC GR8 ZP	4
38	1021584	WASHER-FLAT: SAE .75 ZP	4
39	1011434	NUT-TOPLOCK: .75 NC GR8 ZP	4
40	1012061	WASHER-LOCK: .75 ZP	6
41	1011620	NUT-HEX: .75 NC	6
42	1032271	BOLT-HEX: .75 X 3.25 NC GR5 ZP	6



# LIFTER STRUT

ITEM	PART NO.	DESCRIPTION	QTY
1	1011748	ZERK - GREASE: .25 UNF STRAIGHT	2
2	1013519	NUT-JAM: .38 NC GR2 ZP	2
3	50813	SCREW-SET: SQ HD .38 X 1.00 ZP	2
4	69907	SHAFT-STRUT	1
5	63615	WLDMT-LIFTER STRUT	1
6	50146	WLDMT-STRUT BRACKET	1
7	63655	HUB_LIFTER WHEEL MACHINED	2
8	50134	WLDMT-SPACER	1
9	50137	WASHER	2
10	1030761	BOLT-HEX: .63 X 7.00 NC GR 8 ZP	1
11	1011578	NUT-HEX: .63 NC GR2 ZP	9
12	64369	WLDMT-SCRAPER ARM	2
13	64685	BOLT-CRG: .50 X 2.25 NC GR5 ZP	2
14	1014443	WASHER-FLAT: .50 ZP	2
15	1011581	WASHER-LOCK: .50 ZP	2
16	1011577	NUT-HEX: .50 NC GR5 ZP	2
17	69856	WHEEL-LIFTER PAINTED	2
18	50747	PLATE-LIFTER WHEEL SPACER	AR
19	63880	WLDMT-WHEEL FILLER	2
20	64135	BOLT-EYEBOLT: .75 X 8.00 ZP	2
21	64136	BOLT-HEX: .75 X 8.50 NC GR5 ZP	2
22	1017000	NUT-TOPLOCK: .75 NC GR5 ZP	4
23	1013023	BOLT-HEX: .63 X 2.50 NC GR5 ZP	8
24	1011813	WASHER-LOCK: .63 ZP	16
25	1011624	BOLT-HEX: .63 X 3.00 NC GR5 ZP	4
26	1013024	WASHER-FLAT: .63 ZP	4
27	63624	HUB CAP-ROUNDED	2
28	1030765	BUSHING-MACH: 1.38 NR 10GA NP	2
29	64012	PIN-COTTER: .25 X 3.00 NP	2
30	53633	CONE-BEARING OUTER	2
31	53635	CUP-BEARING OUTER	2
32	1030766	ZERK-GREASE: .13 NPT STRAIGHT	2
33	53636	CUP-BEARING INNER	2
34	53634	CONE-BEARING INNER	2
35	53632	SEAL	2
36	1016367	NUT-HEX: SLOT 1.38 NF GR2 NP	2
37	1026259	NUT-JAM: .63 NC GR2 ZP	9
38	50139	PLATE-LIFTER STRUT SPACER	AR
39	59398	PIN-ROLL: .25 X 1.50 ZP	2
40	300097	PLATE-LIFTER WHEEL FILLER	16
41	59488	BOLT-CRG: .38 X 1.00 NC GR5 ZP	16
42	1016999	NUT-TOPLOCK: .38 NC GR5 ZP	16

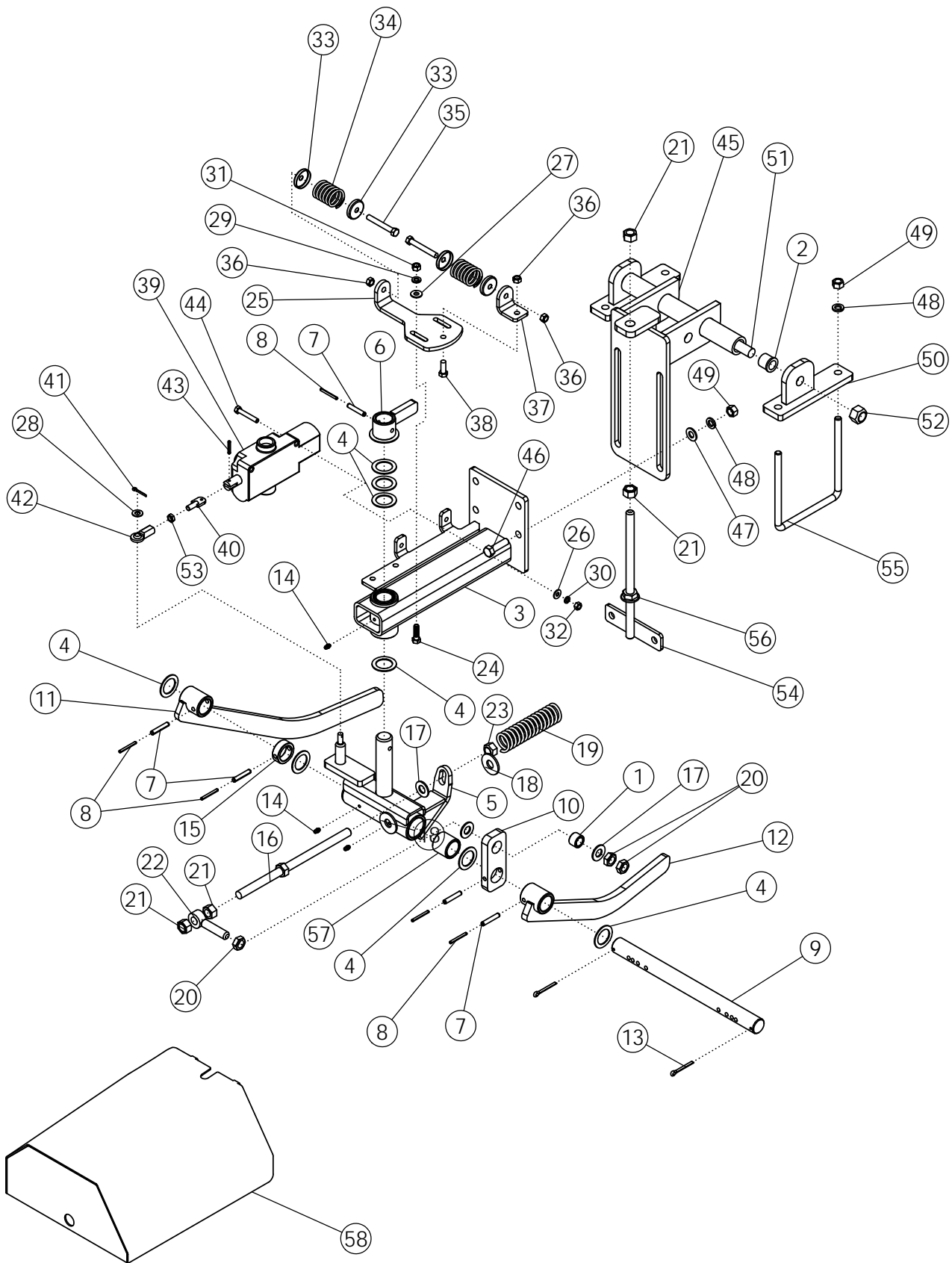




# ROW FINDER

ITEM	PART NO.	DESCRIPTION	QTY
1	52567	BUSHING-ZP	1
2	52654	BUSHING-FLANGE	2
3	62520	ASSY-MAIN FRAME	1
4	55206	BUSHING-MACH: 1.25 NR 14GA	9
5	51139	ASSY - SWIVEL	1
6	51130	WLDMT-FLIPPER	1
7	1030793	PIN-ROLL: .31 X 1.75 ZP	5
8	1030798	PIN-ROLL: .19 X 1.75 ZP	5
9	51690	SHAFT ZP	1
10	52566	TENSIONER ARM	1
11	52564	SENSOR ARM-R.H.	1
12	51131	SENSOR ARM-L.H.	1
13	1030797	PIN-COTTER: .19 X 1.75 NP	2
14	1011748	ZERK - GREASE	3
15	51137	COLLAR	1
16	52565	ADJUSTMENT BOLT	1
17	1013004	WASHER-FLAT: SAE .63 ZP	3
18	1013024	WASHER-FLAT: .63 ZP	2
19	51692	SPRING: .21 X 1.44 OD X 6" 15 COILS	1
20	1026259	NUT-JAM: .63 NC GR2 ZP	3
21	1011578	NUT-HEX: .63 NC GR2 ZP	4
22	51691	EYEBOLT: .63 X 3.25 ZP	1
23	1016595	NUT-TOPLOCK: .63 NC GR5 ZP	1
24	1011601	BOLT-HEX: .38 X 1.25 NC GR5 ZP	2
25	51129	PLATE	1
26	1020416	WASHER-FLAT: .25 ZP	2
27	1011583	WASHER-FLAT: .31 ZP	2
28	1014608	WASHER-FLAT: SAE .38 ZP	1
29	1011586	WASHER-LOCK: .38 ZP	2
30	1029115	WASHER-LOCK: .31 ZP	2
31	1011576	NUT-HEX: .38 NC GR2 ZP	2
32	1011575	NUT-HEX: .31 NC GR2 ZP	2
33	52582	SPRING CAP	4
34	51689	SPRING	2
35	1019828	BOLT-HEX: .38 X 2.75 NC GR5 ZP	2
36	1016999	NUT-TOPLOCK: .38 NC GR5 ZP	3
37	51128	SPRING PLATE	1
38	1011600	BOLT-HEX: .38 X 1.00 NC GR5 ZP	1
39	301150	VALVE-ROWFINDER O-RING	1
40	62540	PLATE STUD ZP	1

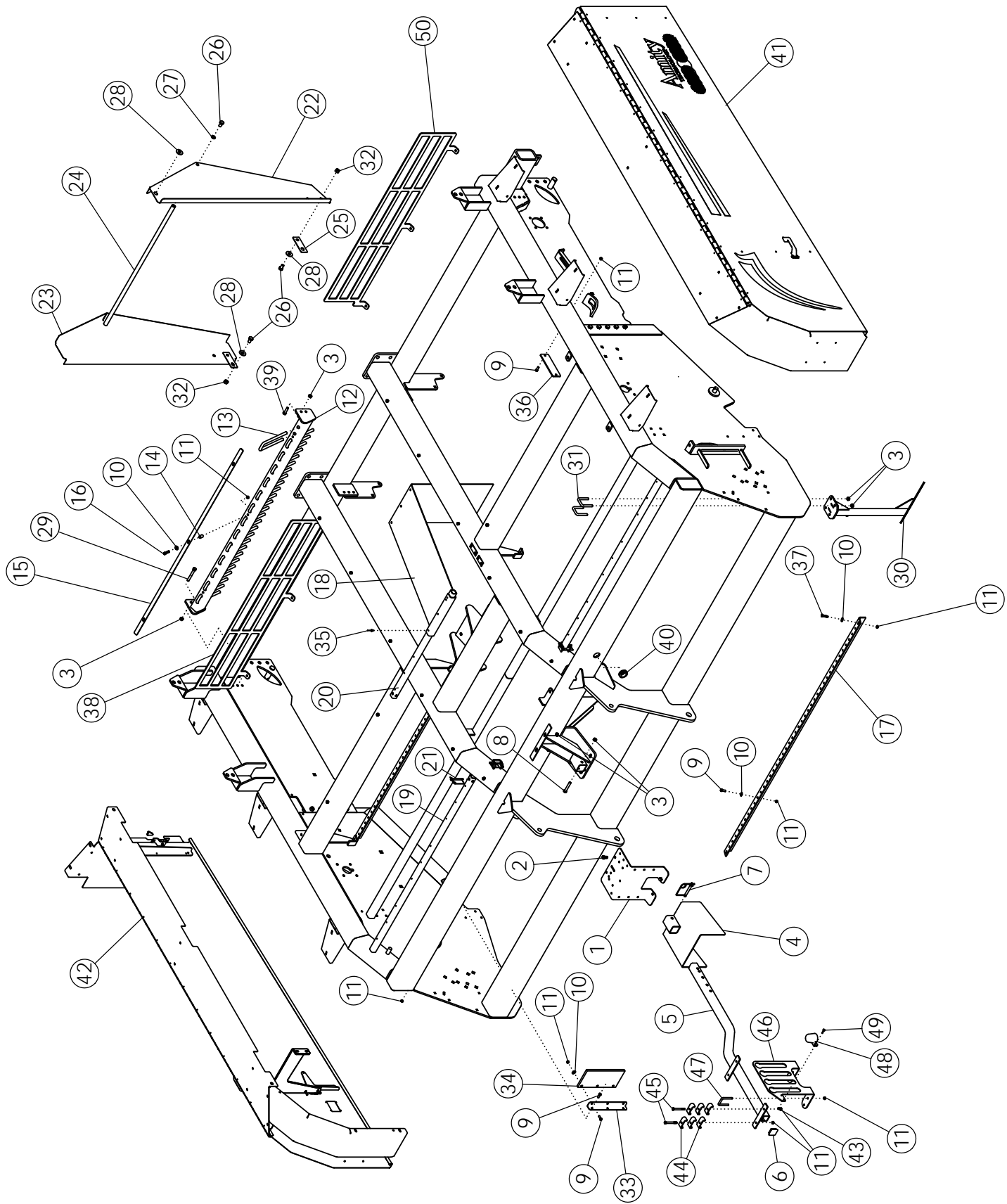
CONTINUED



# ROW FINDER (CONTINUED)

ITEM	PART NO.	DESCRIPTION	QTY
41	64570	PIN-COTTER: .13 X 1.00 ZP	1
42	51136	UNIBALL COUPLING	1
43	64157	PIN-ROLL: .19 X 1.13 ZP	1
44	1011285	BOLT-HEX: .31 X 2.00 NC	2
45	63661	MOUNTING BRACKET	1
46	1011608	BOLT-HEX: .50 X 1.75 NC GR5 ZP	4
47	1011584	WASHER-FLAT: SAE .50 ZP	4
48	1011581	WASHER-LOCK: .50 ZP	8
49	1011577	NUT-HEX: .50 NC GR2 ZP	8
50	63662	MOUNTING SUPPORT	2
51	63664	BOLT-HEX: .75 X 14.00 NC GR5 ZP	1
52	1017000	NUT-TOPLOCK: .75 NC GR5 ZP	1
53	1030792	NUT-JAM: .38 NF GR2 ZP	1
54	62882	TIGHTENER BOLT-ZP	1
55	53984	U-BOLT 1/2 X 7 X 6 X 7	2
56	64731	NUT-SERRATED FLANGE .63NC ZP	1
57	56939*	BUSHING-OILITE 1.25 X 1.63	2
58	64668	WLDMT-ROW FINDER COVER	1

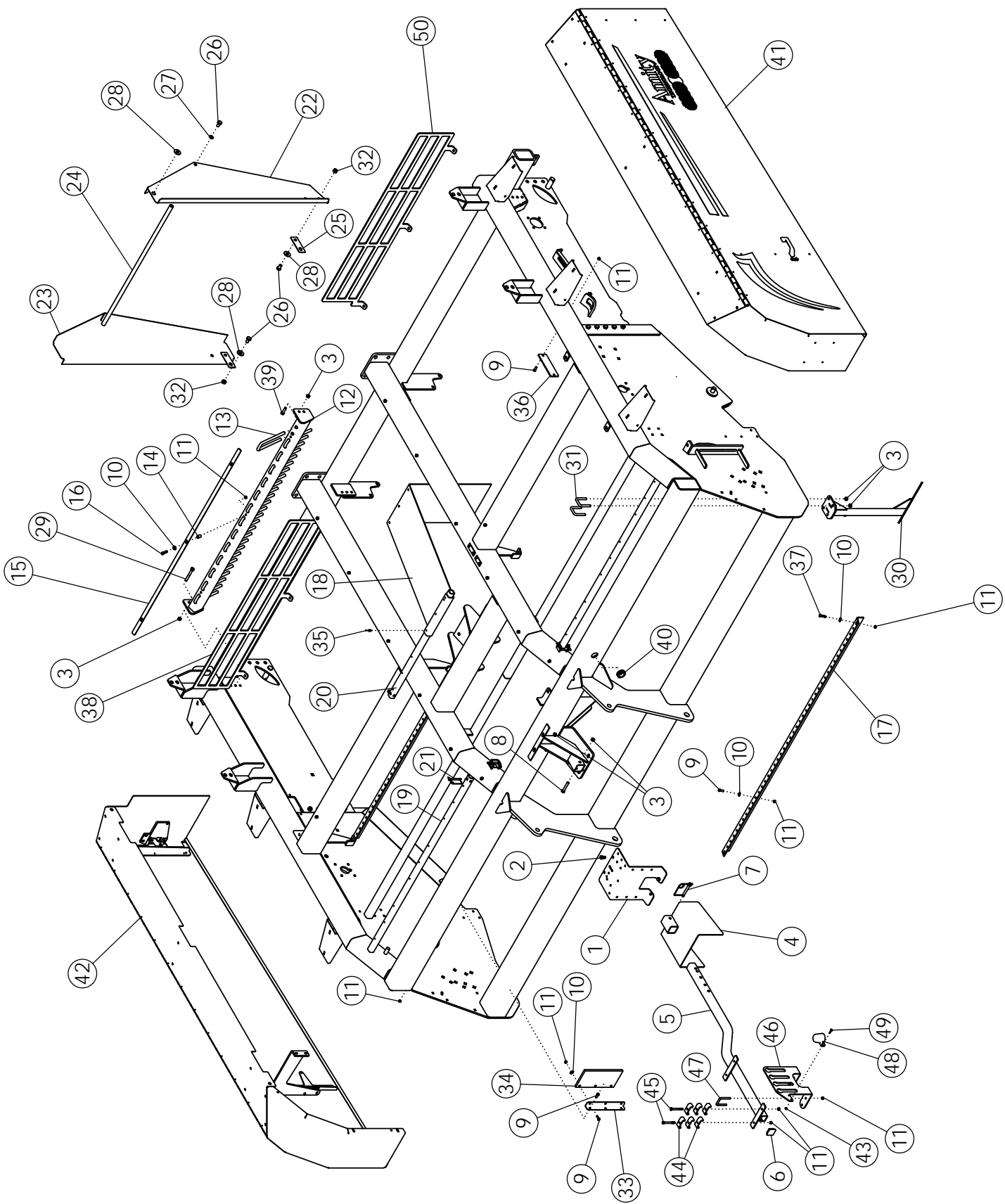
\*ITEM 57 IS INCLUDED WITH ITEM 5



# GUARDS AND SHIELDS

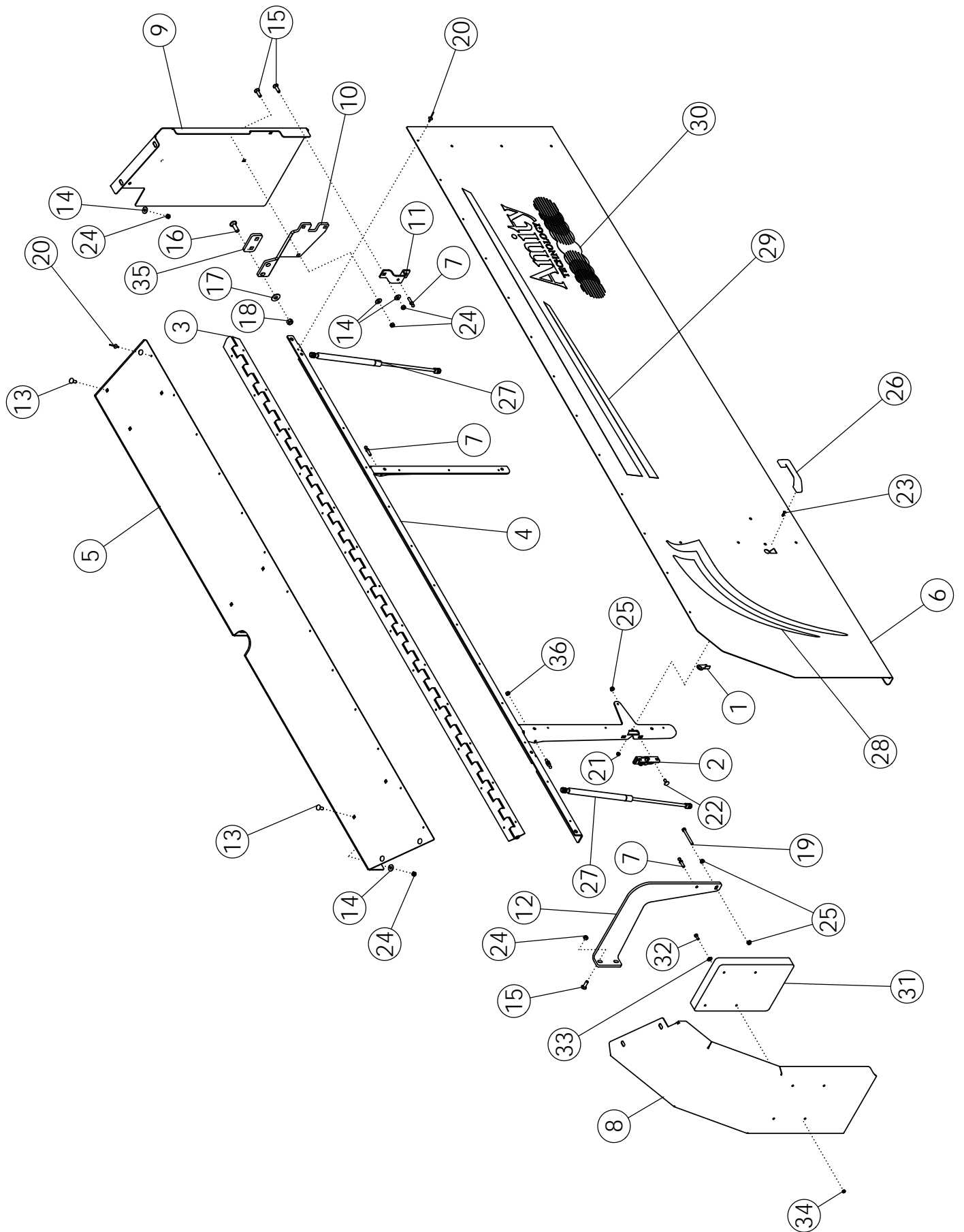
ITEM	PART NO.	DESCRIPTION	QTY
1	62883	PLATE-HOSE MOUNT	1
2	1011096	BOLT-HEX: .50 X 1.00 NC GR5 ZP	4
3	1027461	NUT-TOPLOCK: .50 NC GR5 ZP	41
4	63354	WLDMT-PTO SHIELD	1
5	301210	WLDMT-HYD HOSE HOLDER	1
6	301129	CAPLUG-2" SQ	1
7	52408	SPRING PIN .50" X 3.50"	1
8	1011611	BOLT-HEX: .50 X 3.00 NC GR5 ZP	1
9	1011600	BOLT-HEX: .38 X 1.00 NC GR5 ZP	40
10	1011828	WASHER-FLAT: .38 ZP	48
11	1016999	NUT-TOPLOCK: .38 NC GR5 ZP	61
12	58182	WLDMT-MOUNT	2
13	69117	U ROD ZP	28
14	58446	SPACER ZP	6
15	58448	STRAP	2
16	1011725	BOLT-HEX: .38 X 2.00 NC GR5 ZP	6
17	51225	MOUNT-TARP 8R	2
18	58961	APRON-RUBBER	8
19	58184	TUBE-OUTER APRON MOUNT 8R	2
20	57721	TUBE-INNER APRON 6R/8R	1
21	59101	SPRING PIN .38" X 3.00"	3
22	56257	GUARD-REAR SCRUB LH	1
23	56258	GUARD-REAR SCRUB RH	1
24	56754	PIPE-THREADED	1
25	56256	LINK-GUARD	2
26	1032275	BOLT-HEX: .63 X 1.00 NC GR5 ZP	6
27	1011813	WASHER-LOCK: .63 ZP	2
28	1013024	WASHER-FLAT: .63 ZP	4
29	1032507	BOLT-HEX: .50 X 4.00 NC GR5 ZP	4
30	62378	WLDMT - DEFLECTOR	7
31	65658	U-BOLT: .50 X 3 X 2.06 X 3	14
32	1016595	NUT-TOPLOCK: .63 NC GR5 ZP	4
33	51331	ANGLE	2
34	51680	DEFLECTOR-RUBBER	2
35	1011974	RIVET-POP: .19 X .53 ZP	24
36	63501	PLATE-COVER	2
37	1011602	BOLT-HEX: .38 X 1.50 NC GR5 ZP	4

CONTINUED



## GUARDS AND SHIELDS (CONTINUED)

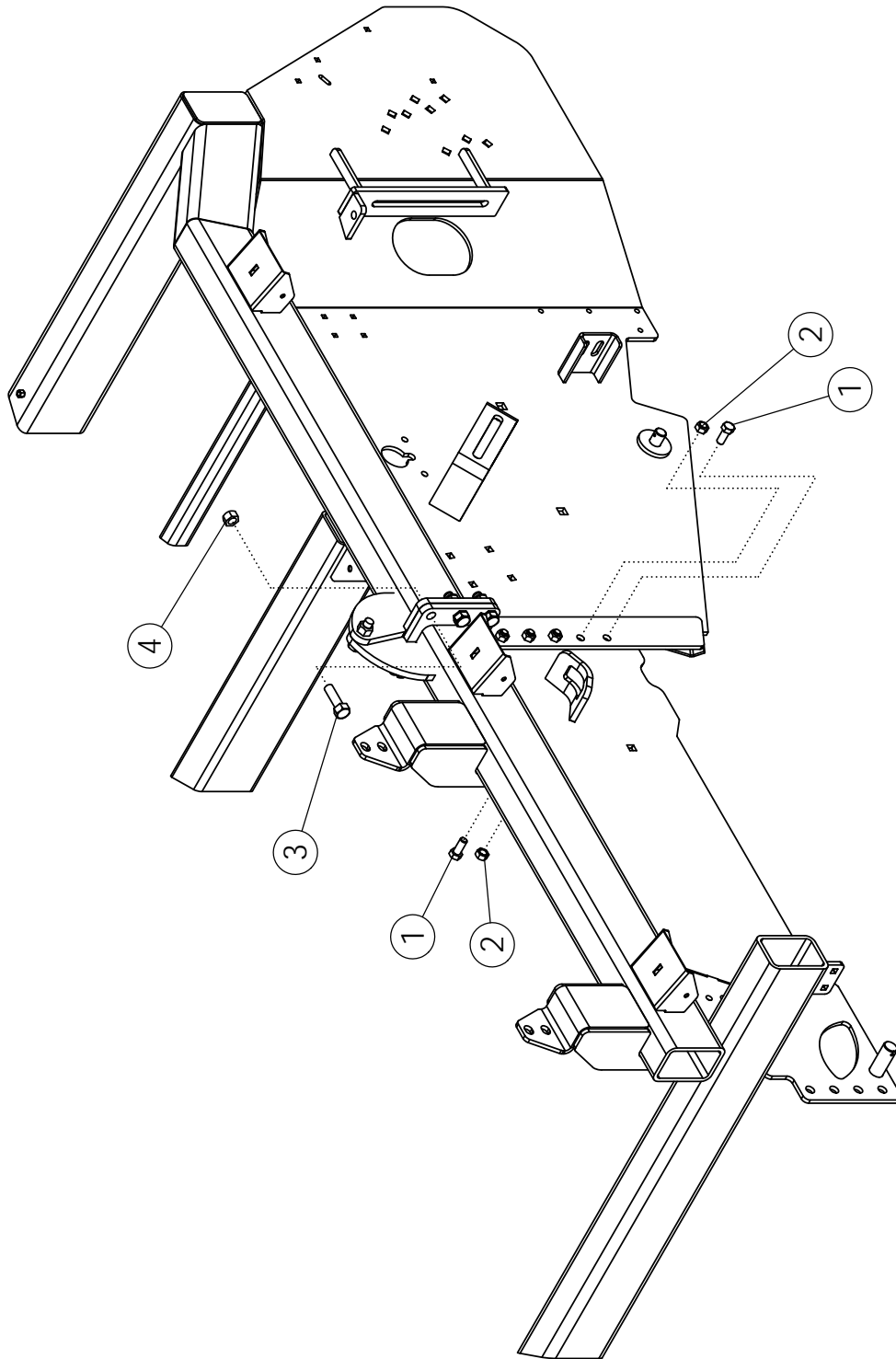
ITEM	PART NO.	DESCRIPTION	QTY
38	69432	PLATE-GUARD RH 8R	1
39	1011608	BOLT-HEX: .50 X 1.75 NC GR5 ZP	4
40	301025	GROMMET-RUBBER 1.50" ID	1
41	69265	ASSY-LH DOOR	1
42	69350	ASSY-RH DOOR	1
43	1030946	NUT-TOPLOCK: .25 NC GR5 ZP	2
44	50714	CLAMP 1/2" ZP	12
45	58176	BOLT-HEX: .38 X 3.50 NC GR5 ZP	4
	1015174	BOLT-HEX: .38 X 2.50 NC GR5 ZP	
46	301900	PLATE-HYD HOSE END HOLDER XL	1
47	33162	U-BOLT: .375 X 3 X 2 X 3	2
48	223329	HOLDER-LIGHT PLUG	1
49	1013423	BOLT-HEX: .25 X 1.00 NC GR5 ZP	2
50	69431	PLATE-GUARD LH 8R	1





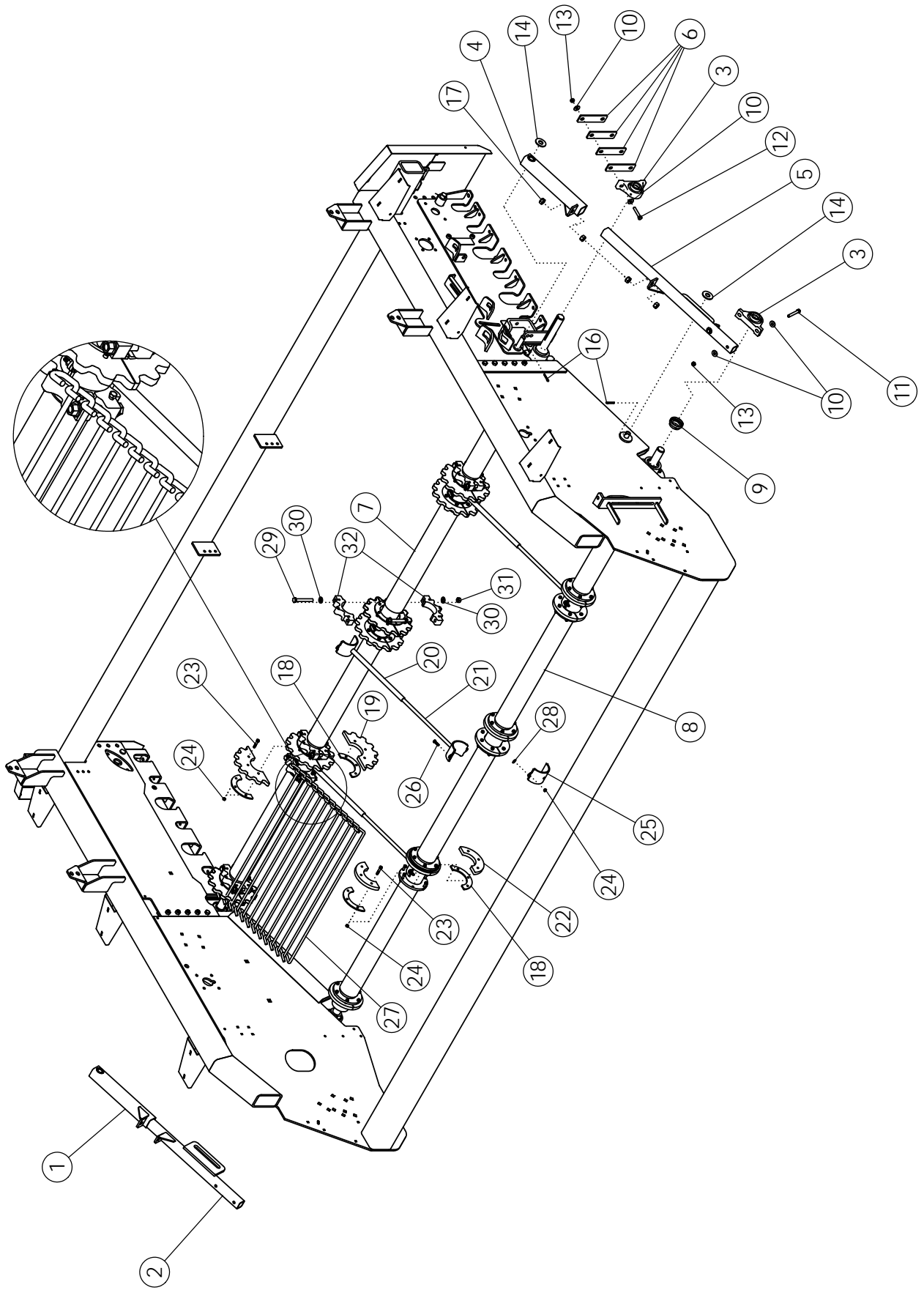
# DOOR ASSEMBLY

ITEM	PART NO.	DESCRIPTION	QTY
1	69284	LEVER-HRV LATCH ZP	1
2	69283	LATCH-ROTARY	1
3	69286	HINGE-108 HEAVY CONTINUOUS	1
4	69266	WLDMT-DOOR FRAME LH	1
	69348	WLDMT-DOOR FRAME RH (NOT SHOWN)	1
5	69312	PANEL-SHIELD TOP LH PC	1
	69372	PANEL-SHIELD TOP RH PC (NOT SHOWN)	1
6	69270	SHEET-SHIELD DOOR LH PC	1
	69319	SHEET-SHIELD DOOR RH PC (NOT SHOWN)	1
7	69278	STUD-BALL .31-18NC X .75	4
8	69272	PANEL-SHIELD FRONT LH PC	1
	69317	PANEL-SHIELD FRONT RH PC (NOT SHOWN)	1
9	69273	PANEL-SHIELD REAR LH PC	1
	69318	PANEL-SHIELD REAR RH PC (NOT SHOWN)	1
10	69274	PLATE-SUPPORT REAR LH	1
	69344	PLATE-SUPPORT REAR RH (NOT SHOWN)	1
11	69275	BRACKET-SPRING REAR	1
12	69277	BRACKET-SPRING FRONT LH	1
	69320	BRACKET-SPRING FRONT RH (NOT SHOWN)	1
13	59488	BOLT-CRG: .38 X 1.00 NC GR5 ZP	10
14	1011828	WASHER-FLAT .38 ZP	17
15	1016362	BOLT-CRG: .38 X 1.25 NC GR5 ZP	7
16	1011660	BOLT-CRG: .50 X 1.50 NC GR5 ZP	2
17	1014443	WASHER-FLAT: .50 ZP	2
18	1027461	NUT-TOPLOCK: .50 NC GR5 ZP	2
19	1029448	BOLT-HEX .31 X 3.00 NC GR5 ZP	1
20	1011974	RIVET-POP: .19 X .531 ZP	32
21	1026591	NUT-K-LOCK: #10-24 GR2 ZP	2
22	65702	BOLT-CRG: .31 X .75 NC GR5 ZP	2
23	67078	SCREW-P-H: 10-24 X .75 NC GR2 ZP	2
24	1016999	NUT-TOPLOCK: .38 NC GR5 ZP	17
25	67077	NUT-FLANGE SERR .31 NC ZP GR2	4
26	69285	HANDLE-MOLDED GRAB	1
27	69282	SPRING-700N GAS	2
28	69294	DECAL-LH CURVE	1
	69297	DECAL-RH CURVE	1
29	69295	DECAL-LH STRIPE	1
	69298	DECAL-RH STRIPE	1
30	69399	DECAL-AMITY LOGO	1
31	64635	CASE-MANUAL STORAGE	1
32	1011595	BOLT-HEX: .25 X .75 NC GR5 ZP	4
33	1020416	WASHER-FLAT: .25 ZP	4
34	1030946	NUT-TOPLOCK: .25 NC GR5 ZP	4
35	69373	PLATE-SPACER	1
36	1030700	NUT-TOPLOCK: .31 NC GR5 ZP	4
37	65331	DECAL-YELLOW RETROREFLECTIVE (NOT SHOWN)	1



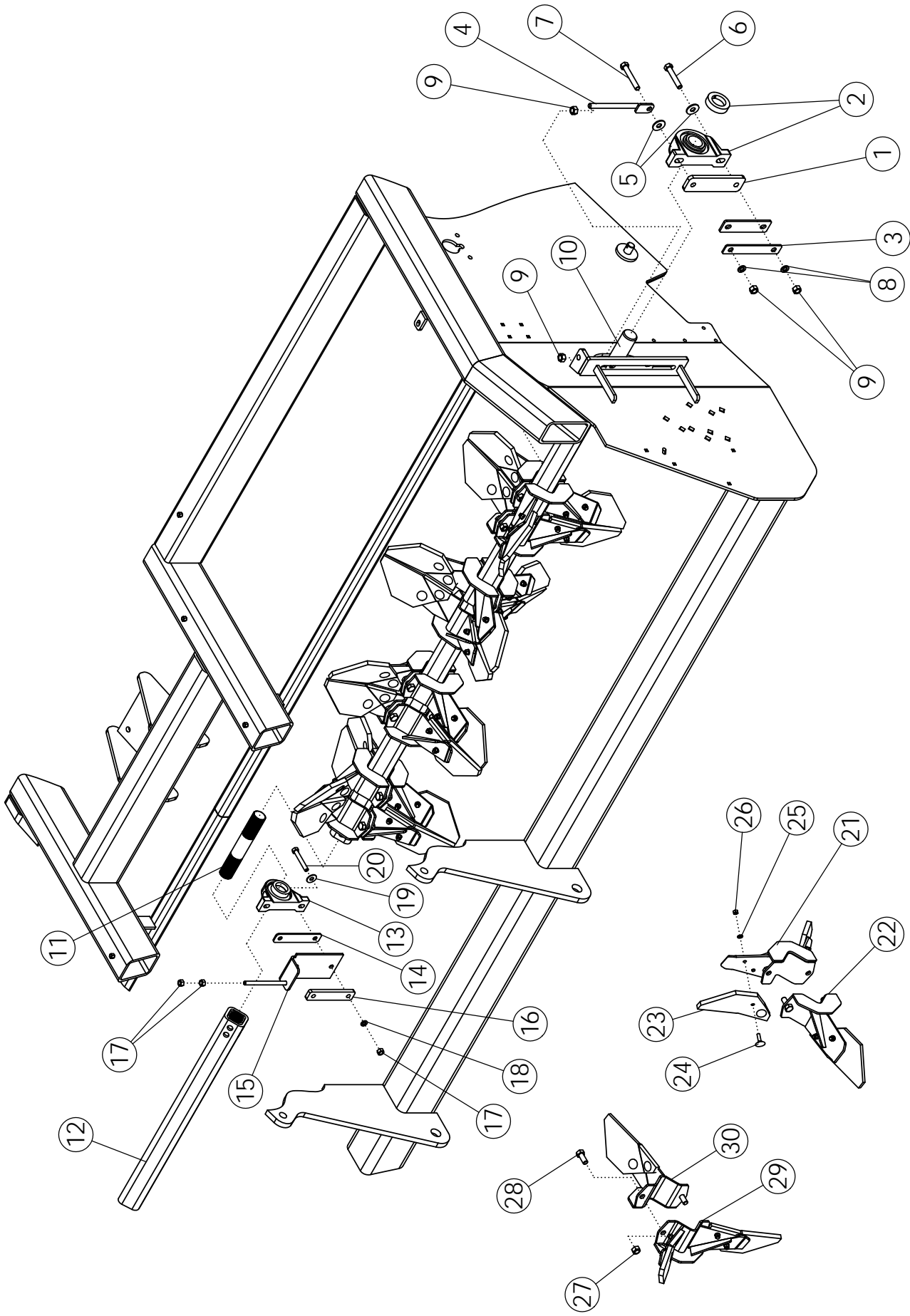
# FRAME HARDWARE

ITEM	PART NO.	DESCRIPTION	QTY
1	1014349	BOLT-HEX: .63 X 1.50 NC GR5 ZP	10
2	1016595	NUT-TOPLOCK: .63 NC GR5 ZP	10
3	1016598	BOLT-HEX: .75 X 2.50 NC GR5 ZP	23
4	1017000	NUT-TOPLOCK: .75 NC GR5 ZP	23



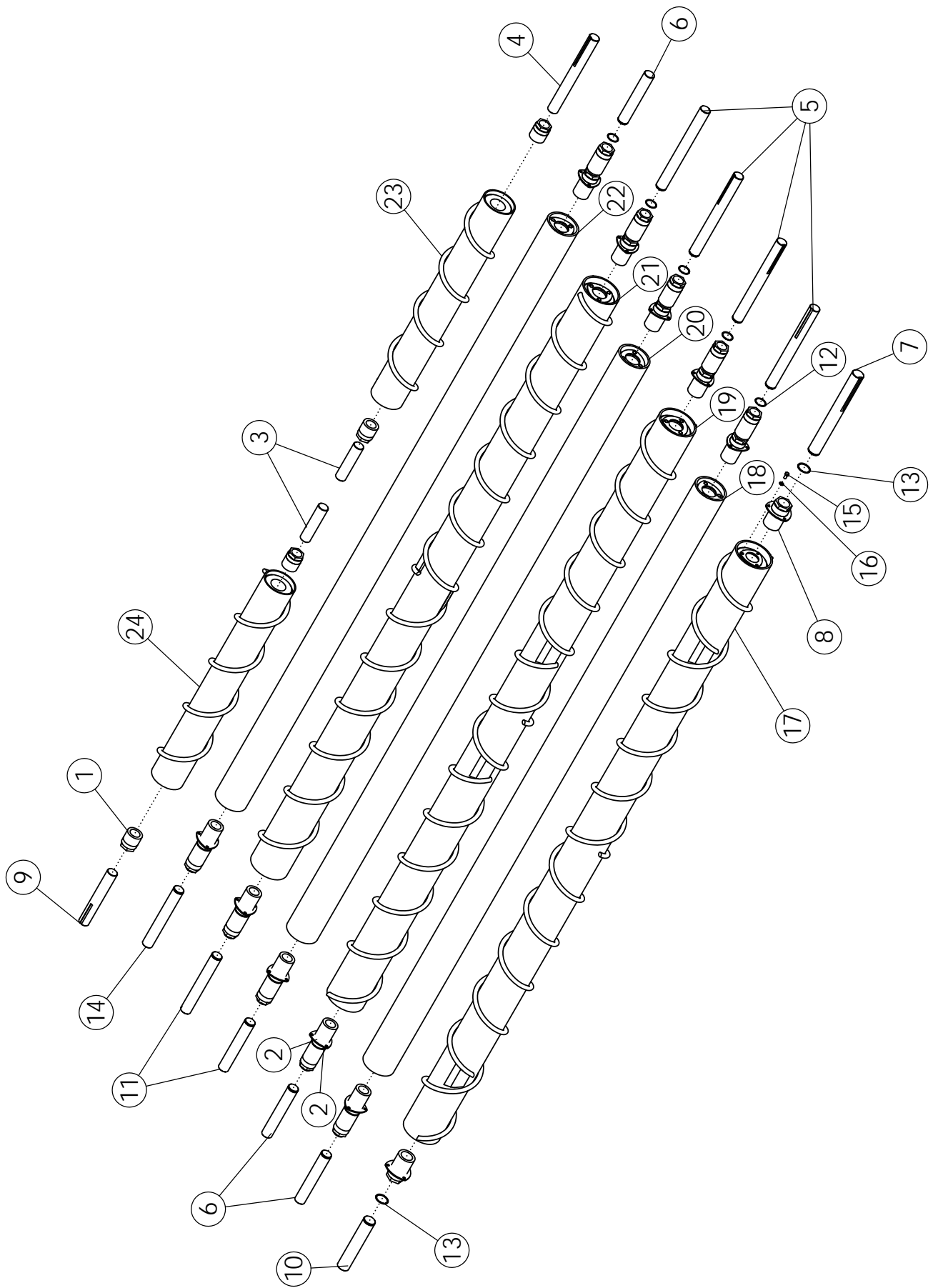
# APRON SHAFT

ITEM	PART NO.	DESCRIPTION	QTY
1	56693	WLDMT-ARM RH	1
2	56698	WLDMT-SLIDE RH	1
3	52405	BEARING-PILLOW 1.75	4
4	56692	WLDMT-ARM LH	1
5	56697	WLDMT-SLIDE LH	1
6	56672	SHIM-BEARING	AR
7	69262	WLDMT-TOP APRON SHAFT	1
8	58326	WLDMT-BOTTOM APRON SHAFT	1
9	52382	SEAL PROTECTOR 1.75	2
10	1014443	WASHER-FLAT: .50 ZP	16
11	1029104	BOLT-HEX: .50 X 3.75 NC GR5 ZP	4
12	1011611	BOLT-HEX: .50 X 3.00 NC GR5 ZP	4
13	1027461	NUT-TOPLOCK: .50 NC GR5 ZP	8
14	1020685	WASHER-FLAT: 1.00 ZP	4
15	56718	ROD-THREADED ZP	2
16	1016944	PIN-COTTER: .25 X 2.00 ZP	4
17	1011620	NUT-HEX: .75 NC GR2 ZP	8
18	62836	HALF DISC-SPACER (1/2" CHAIN ONLY)	32
19	301221	SPROCKET-SPLIT 2.38 14T	8
	63365	SPROCKET-SPLIT 1.88	
20	64162	WLDMT-UPPER FILLER	3
21	64161	WLDMT-LOWER FILLER	3
22	58322	HALF-DISC	16
23	1011725	BOLT-HEX: .38 X 2.00 NC GR5 ZP	96
24	1016999	NUT-TOPLOCK: .38 NC GR5 ZP	108
25	64159	CLAMP-FILLER PAINTED	6
26	64991	BOLT-HEX: .38 X 1.25 NC GR8 ZP	12
27	53844	CHAIN 1/2 X 42 X 2.38	8
	53845	CHAIN 1/2 X 42 X 1.88	
28	1011828	WASHER-FLAT: .38 ZP	12
29	69246	BOLT-HEX: .63 X 4.75 NC GR8 ZP	16
30	66498	WASHER	32
31	66500	NUT-HEX: .63 NC GR8 YZP	16
32	69245	CLAMP-APRON	16



# PADDLE SHAFT

ITEM	PART NO.	DESCRIPTION	QTY
1	57996	SHIM-BEARING ZP	2
2	57997	BEARING-PILLOW 2"	2
3	57998	PLATE-BACKING ZP	2
4	51365	TIGHTENER BOLT	2
5	1013024	WASHER-FLAT: .63 ZP	4
6	1014000	BOLT-HEX: .63 X 3.50 NC GR5 ZP	2
7	1016726	BOLT-HEX: .63 X 4.00 NC GR5 ZP	2
8	1011813	WASHER-LOCK: .63 ZP	4
9	1011578	NUT-HEX: .63 NC GR2 ZP	8
10	58027	WLDMT-PADDLE SHAFT LH	1
11	57196	SHAFT-SPLINED 8R	1
12	58028	WLDMT-PADDLE SHAFT RH	1
13	52405	BEARING-PILLOW 1-3/4"	1
14	50564	PLATE	1
15	56737	WLDMT-ROD ZP	1
16	50305	SPACER-BEARING	1
17	1011577	NUT-HEX: .50 NC GR2 ZP	4
18	1011581	WASHER-LOCK: .50 ZP	2
19	1014443	WASHER-FLAT: .50 ZP	2
20	1011612	BOLT-HEX: .50 X 3.50 GR5 ZP	2
21	50719	WLDMT - PADDLE DOUBLE LH	8
22	50720	WLDMT - PADDLE SINGLE LH	8
23	51562	PADDLE-RUBBER	48
24	1030779	BOLT-ELEVATOR: .38 X 1.50 NC ZP	96
25	1011586	WASHER-LOCK: .38 ZP	96
26	1011576	NUT-HEX: .38 NC GR2 ZP	96
27	1016595	NUT-TOPLOCK: .63 NC GR5 ZP	32
28	1014349	BOLT-HEX: .63 X 1.50 NC GR5 ZP	32
29	50722	WLDMT - PADDLE DOUBLE RH	8
30	50721	WLDMT - PADDLE SINGLE RH	8



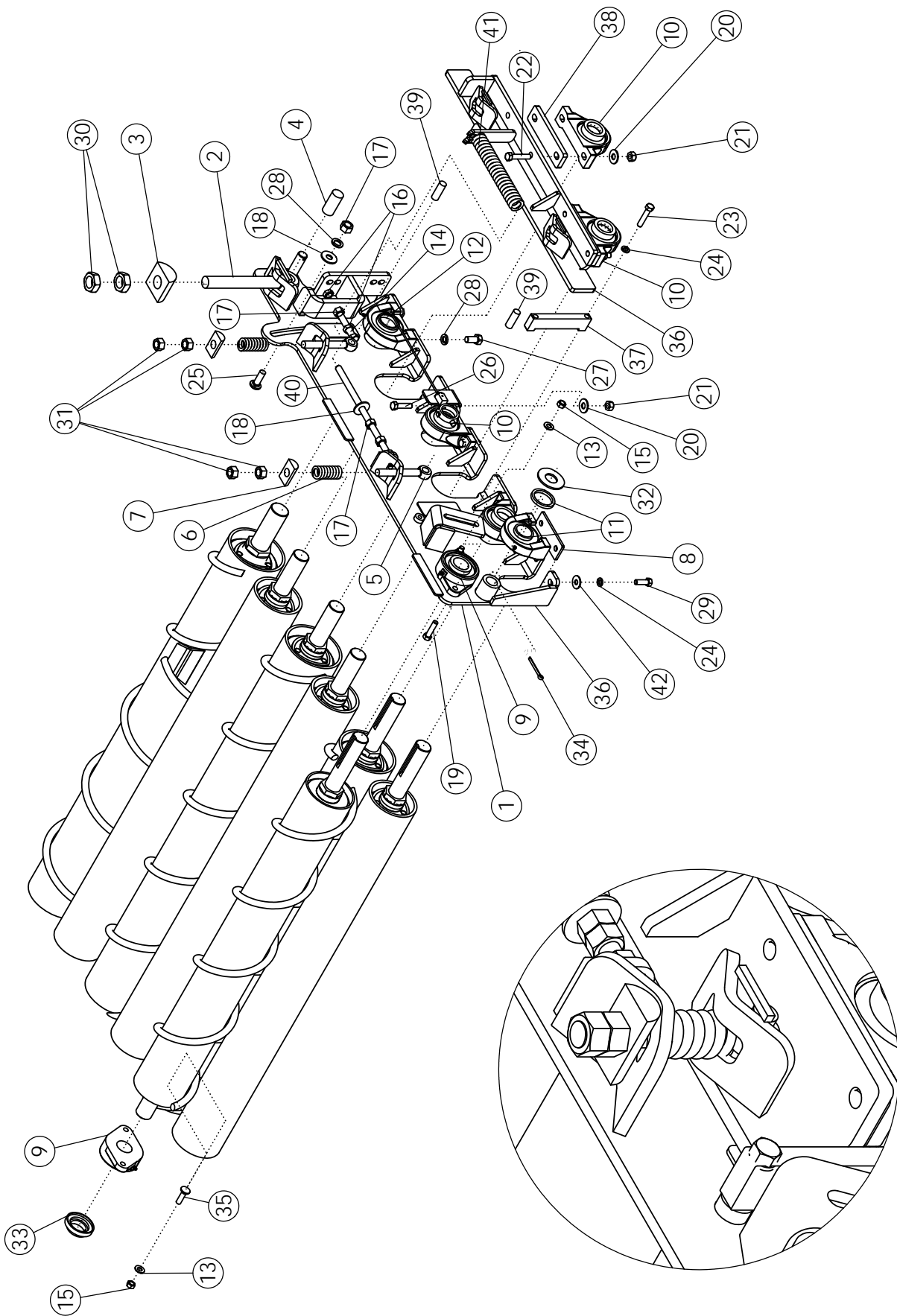


# CLEANING ROLLS

ITEM	PART NO.	DESCRIPTION	QTY
<b><u>ДЕТАЛИ ВАЛОВ - PARTS COMMON TO ALL ROLLS</u></b>			
1	58459	HUB-TRANTORQUE 1.75	4
2	64163	HUB-TRANTORQUE 1.75 X 3.38	10
3	59471	SHAFT-STUB-#7 ROLL-RH, LH-IDLER	2
4	58759	SHAFT-#7 LH ROLL-DRIVE END	1
5	64177	SHAFT-DRIVE #2,3,4,5	4
6	64179	SHAFT-IDLER #2,3,4,6	3
7	64181	SHAFT-#1 DRIVE END	1
8	64165	HUB-TRANTORQUE 2.00 X 3.38	2
9	58761	SHAFT-#7 RH ROLL-DRIVE END	1
10	64182	SHAFT-#1 IDLER END	1
11	64180	SHAFT-REVERSE #4 RH	2
12	64184	RING-RETAINING 1.75	10
13	64185	RING-RETAINING 2.00	2
14	64178	SHAFT-#5,6	1
15	1011599	BOLT-HEX: .38 X .75 NC GR5 ZP	36
16	1011586	WASHER-LOCK: .38 ZP	36

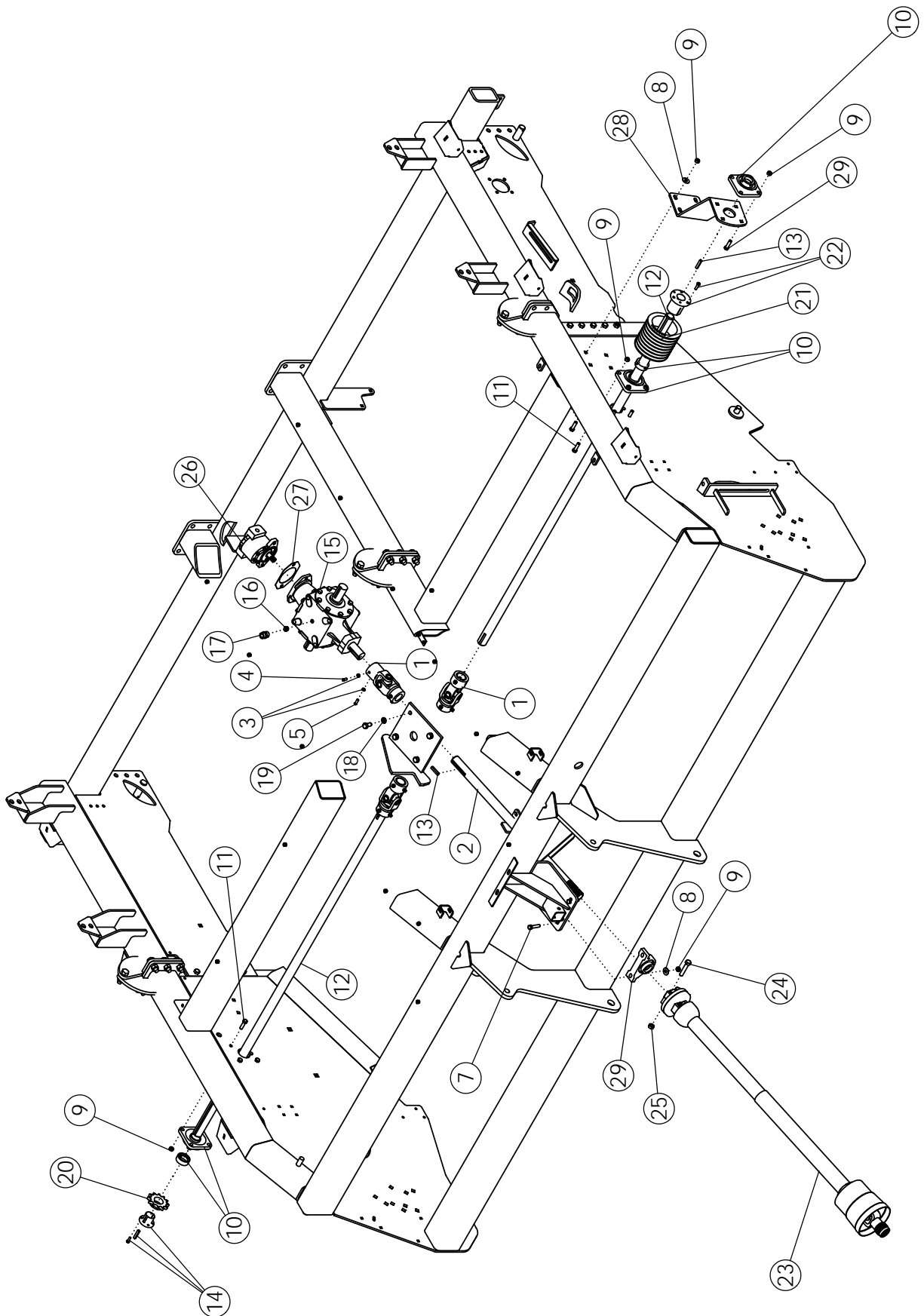
## **ВАЛЫ В КОМПЛЕКТЕ - CLEANING ROLLS (COMPLETE)**

17	58999	ASSY-#1 ROLL-SCROLL-8R-TT	1
18	58969	ASSY-#2 8R-5.5" STD-TT	1
19	59000	ASSY-#3 SSCROLLED-8R-TT	1
20	62764	ASSY-#4 8R-5.5" STD-TT	1
21	59001	ASSY-#5 SCROLLED-8R-STD-TT	1
22	58989	ASSY-#6 8R-5.5"-STD-TT	1
23	59535	ASSY-#7LH SCROLL-8R-TT-SHORT	1
24	59536	ASSY-#7RH SCROLL-8R-TT-SHORT	1



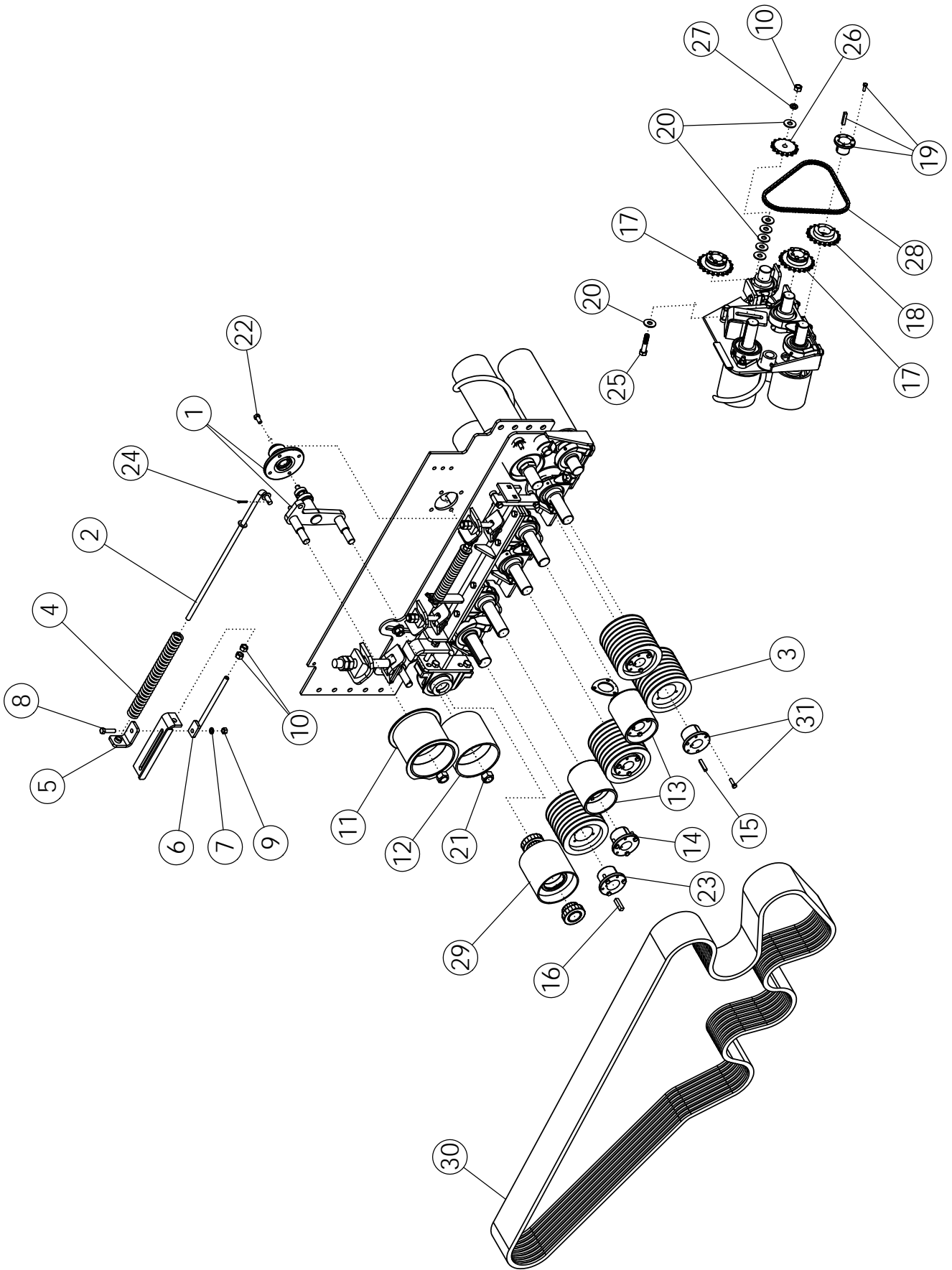
# CLEANING ROLL MOUNTING PACKAGE

ITEM	PART NO.	DESCRIPTION	QTY
1	58907	WLDMT-MOUNT RH	1
	58906	WLDMT-MOUNT LH (NOT SHOWN)	1
2	56813	BOLT-EYEBOLT: 1.25 X 10.5 ZP	2
3	56679	HALF ROUND 3.0" ZP	2
4	56676	ROD ZP	2
5	56814	BOLT-EYEBOLT: .75 X 6.00 ZP	4
6	57877	SPRING 3.00" (RIGHT SIDE ONLY)	2
7	56680	HALF ROUND 1.50" ZP	4
8	57992	SHIM-BEARING	2
9	62134	BEARING-FLANGE 1-3/4"	4
10	52405	BEARING-PILLOW 1-3/4"	8
	64466	PILLOW BLOCK BEARING 1-3/4" STL (ROCK ONLY)	
11	62135	BEARING 1.750 TAPPED BASE	2
	301608	ASSY-STEEL TAPPED BASE BRG 1-3/4"(ROCK ONLY)	
12	62136	BEARING 2.000 TAPPED BASE	2
	305523	ASSY-STL TAPPED BASE BRG 2.00" (ROCK ONLY)	
13	1011584	WASHER-FLAT: SAE .50 ZP	4
14	1032273	BOLT-TAP: .63 X 3.50 NC GR5 ZP	2
15	1027461	NUT-TOPLOCK: .50 NC GR5 ZP	8
16	1026259	NUT-JAM: .63 NC GR2 ZP	4
17	1011578	NUT-HEX: .63 NC GR2 ZP	8
18	1013024	WASHER-FLAT: .63 ZP	4
19	1011609	BOLT-HEX: .50 X 2.00 NC GR5 ZP	4
20	59104	WASHER-FLAT: .56 GR8 ZP	16
21	59105	NUT-TOPLOCK: .56 NC GR8 ZP	16
22	59103	BOLT-HEX: .56 X 2.50 NC GR8 ZP	8
23	1011610	BOLT-HEX: .50 X 2.50 NC GR5 ZP	4
24	1011581	WASHER-LOCK: .50 ZP	8
25	58635	BOLT-CRG: .63 X 2.00 NC GR5 ZP	2
26	59102	BOLT-HEX: .56 X 2.00 NC GR8 ZP	8
27	1032509	BOLT-HEX: .63 X 1.25 NC GR5 ZP	4
28	1011813	WASHER-LOCK: .63 ZP	6
29	1011607	BOLT-HEX: .50 X 1.50 NC GR5 ZP	4
30	62511	NUT-JAM: 1.25 NC GR2 ZP	4
31	1011620	NUT-HEX: .75 NC GR2 ZP	8
32	1013431	WASHER-FLAT: 1.25 ZP	2
33	52383	LOCK PROTECTOR 1-3/4"	2
34	1016727	PIN-COTTER: .25 X 2.50 NP	2
35	59517	BOLT-CRG: .50 X 1.75 NC GR5 ZP	4
36	56682	WLDMT-SLIDE MOUNT RH	1
	56681	WLDMT-SLIDE MOUNT LH (NOT SHOWN)	1
37	56677	WLDMT-HOLDER	2
38	57792	SHIM-BEARING	4
39	56675	ROD ZP	4
40	56815	WLDMT-BOLT & NUT ZP	2
41	57878	SPRING 10"	2
42	1014443	WASHER-FLAT: .50 ZP	4



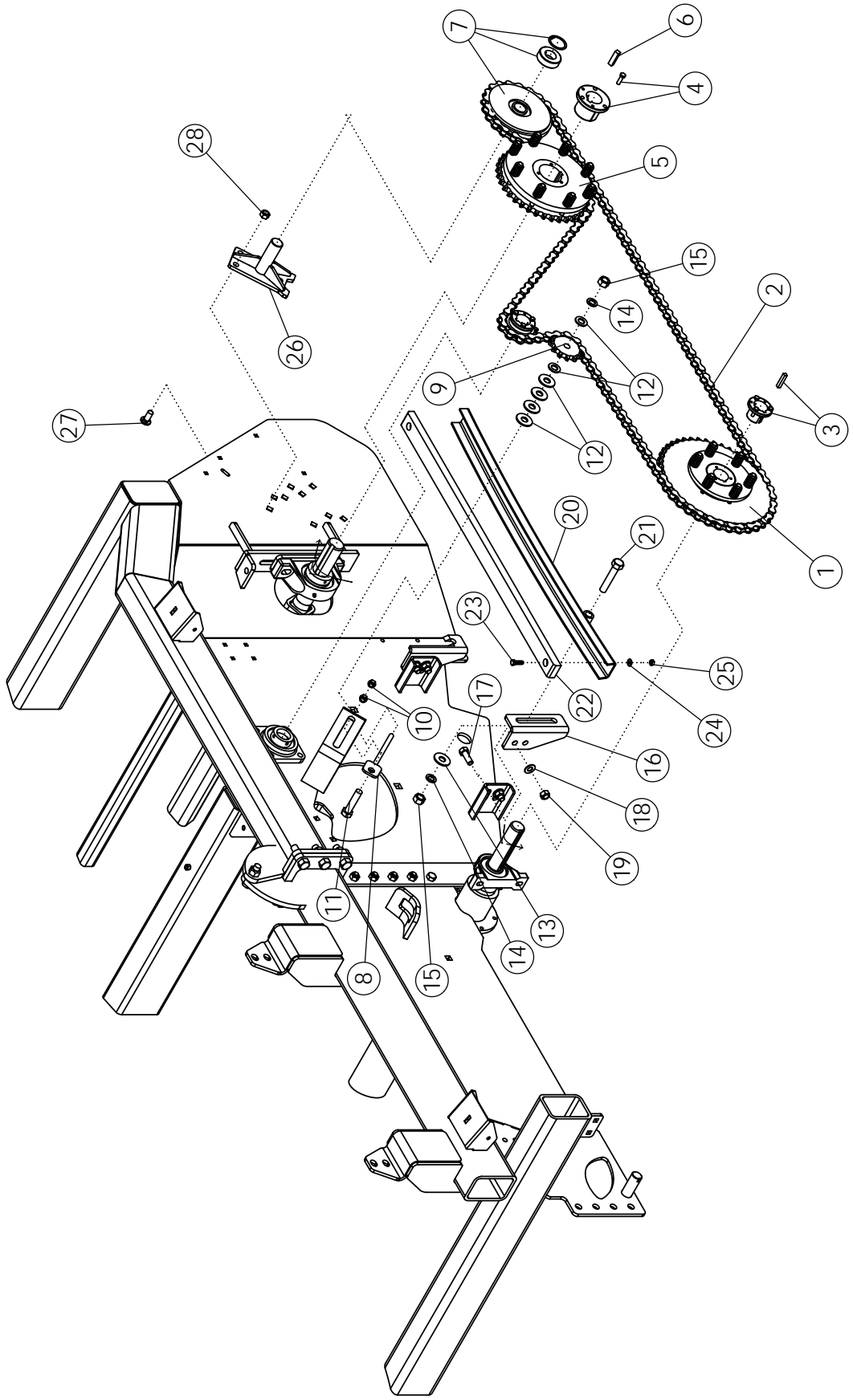
# MAIN DRIVE: ONBOARD OPTION

ITEM	PART NO.	DESCRIPTION	QTY
1	53642	U-JOINT	3
2	56775	SPLINE SHAFT	1
3	1013519	NUT-JAM: .38 NC GR2 ZP	12
4	1030708	SCREW-SET: C-P .38 X .75 NC GR8	6
5	1030709	SCREW-SET: C-P .38 X 1.00 NC GR8	6
6	52405	BEARING-PILLOW 1.75	1
7	1017708	BOLT-HEX: .50 X 2.25 NC GR5 ZP	2
8	1014443	WASHER-FLAT: .50 ZP	6
9	1027461	NUT-TOPLOCK: .50 NC GR5 ZP	18
10	52404	BEARING-FLANGE 1.75	3
11	1011608	BOLT-HEX: .50 X 1.75 NC GR5 ZP	8
12	56759	SHAFT-DRIVE 8R	2
13	50152	KEY .38 X .38 X 2.00	7
14	53641	HUB P1 1.75 (WITH KEY)	1
15	62396	GEARBOX-PRAIRIE (1.81:1) PAINTED	1
16	69128	FTG-ADAPTER: 8MP-8MP	1
17	55730	FTG-ADAPTER: 8FP-8FP	1
18	1011813	WASHER-LOCK: .63 ZP	4
19	1032509	BOLT-HEX: .63 X 1.25 NC GR5 ZP	4
20	62034	SPROCKET H80-P12	1
21	57679	SHEAVE 8B56Q	1
	57681	SHEAVE 8B68Q	
22	55123	HUB Q2 1.75	1
23	51481	PTO-CV 1.75" WEASLER (HRV)	1
24	1030704	BOLT-HEX: .63 X 3.25 NC GR8 ZP	2
25	1016595	NUT-TOPLOCK: .63 NC GR5 ZP	2
26	62153	PUMP-HYDRAULIC 5.3	1
	59761	SEAL KIT FOR 62153	
27	63702	PLATE-ADAPTER SAE 'B' PUMP	1
28	68111	BRACKET-BRACE BEARING	1
29	59517	BOLT-CRG: .50 X 1.75 NC GR5 ZP	8



# CLEANING ROLL DRIVE

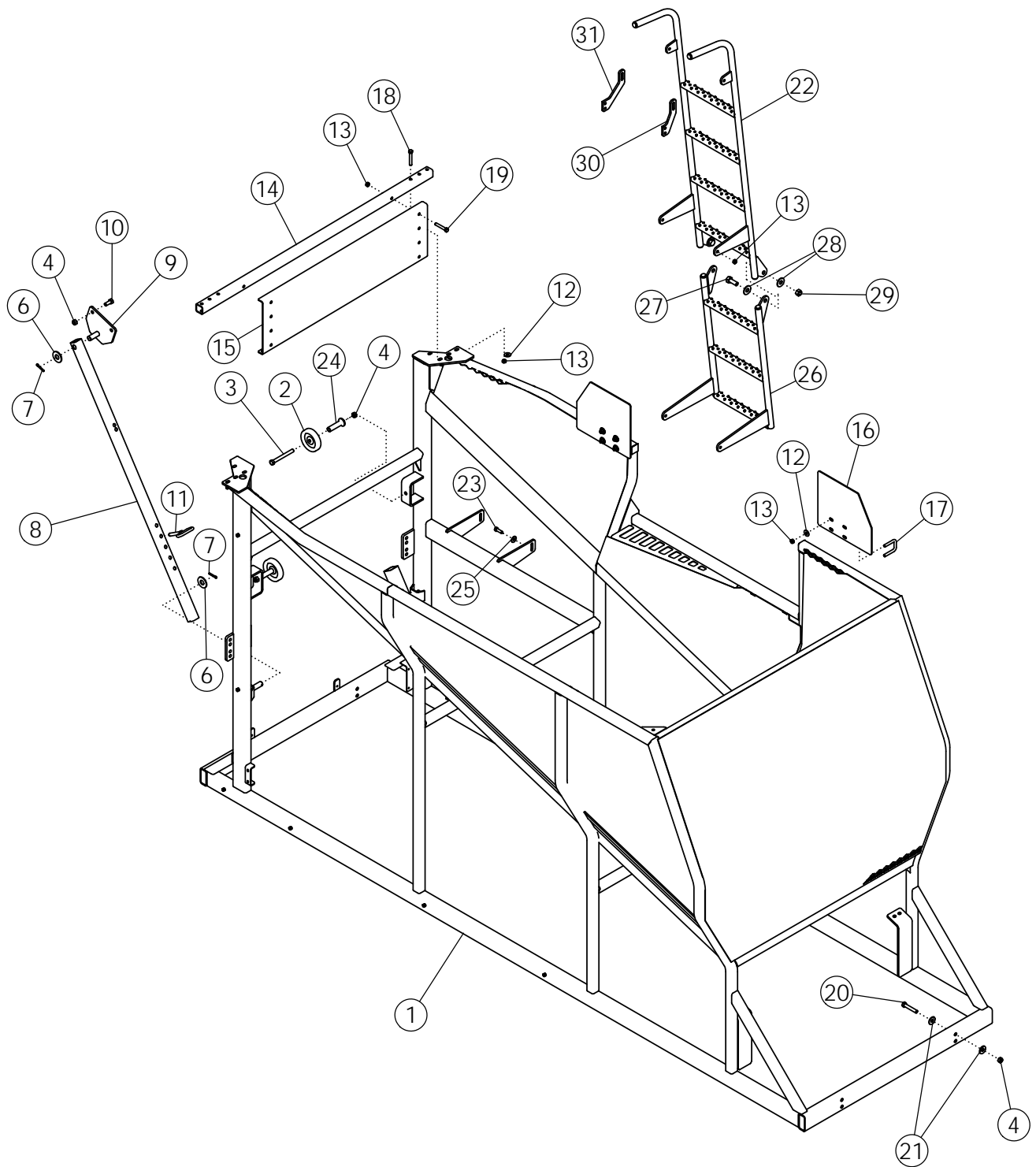
ITEM	PART NO.	DESCRIPTION	QTY
1	56422	ASSY-SPINDLE & HUB	1
2	56711	ROD-PLATED	1
3	57680	SHEAVE 8B62Q	4
4	56853	SPRING	1
5	56708	HOLDER-PLATED	1
6	56707	ADJUSTMENT ROD ZP	1
7	1011581	WASHER-LOCK: .50 ZP	1
8	1011609	BOLT-HEX: .50 X 2.00 NC GR5 ZP	1
9	1011577	NUT-HEX: .50 NC GR2 ZP	1
10	1011578	NUT-HEX: .63 NC GR2 ZP	3
11	58295	WLDMT-IDLER	1
12	56425	TIGHTENER IDLER	1
13	56398	WLDMT-PULLEY 8R	2
14	50335	HUB Q1 1.75	2
15	50152	KEY .38 X .38 X 2.00	5
16	57995	KEY .50 X .50 X 2.00	1
17	53649	SPROCKET H60-P20	2
18	62106	SPROCKET H60-P19	1
19	53641	HUB P1 1.75 (WITH KEY)	3
20	1013024	WASHER-FLAT: .63 ZP	7
21	1016969	NUT-TOPLOCK: 1.00 NC GR5 ZP	2
22	1015558	BOLT-HEX: .50 X 1.00 NF GR5 ZP	4
23	58248	HUB Q2 2.00	1
24	1019827	PIN-COTTER: .19 X 1.00 NP	1
25	1011624	BOLT-HEX: .63 X 3.00 NC GR5 ZP	1
26	53651	7348-2 SPROCKET IDLER	1
27	1011813	WASHER-LOCK: .63 ZP	1
28	58165	CHAIN-ROLLER 60H-1R-052	1
29	56409	ASSY-IDLER PULLEY 8R	1
30	64474	V-BELT 8B195	1
31	55123	HUB Q2 1.75	3





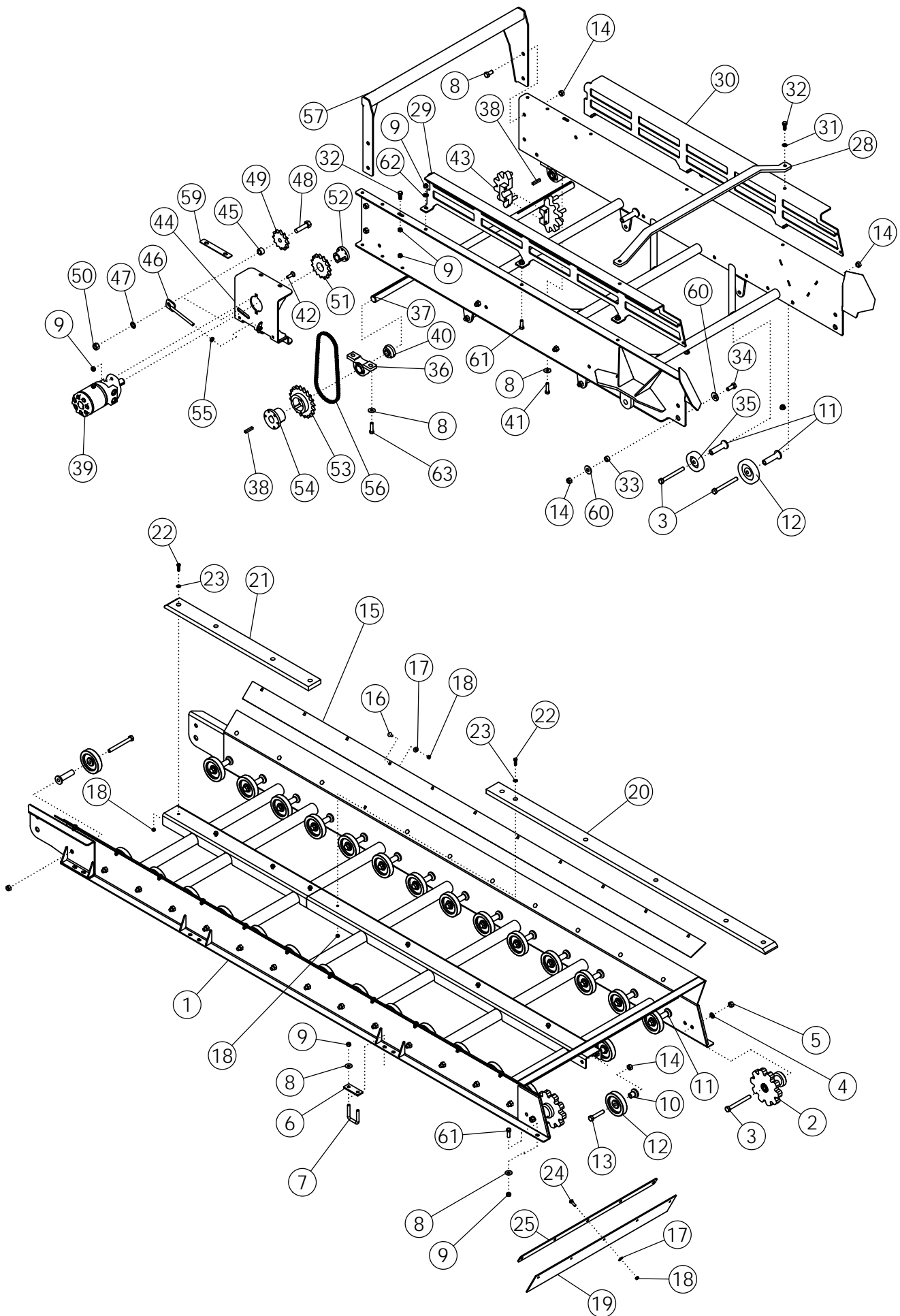
# APRON/PADDLE SHAFT DRIVE

ITEM	PART NO.		QTY
1	58335	SPROCKET-CLUTCH 80P45 PRESET	1
	73034	SPROCKET H80-P14 (ROCK ONLY)	
2	63578	CHAIN-ROLLER 80H-1R-176	1
	69412	CHAIN-ROLLER 80H-1R-182 (PLASTIC PADDLE)	
3	53641	HUB P1 1.75 (WITH .38 X 2.00 KEY)	1
4	50385	HUB Q1 2.00	1
5	57993	SPROCKET-CLUTCH 80Q36 PRESET	1
	69630	SPROCKET-CLUTCH 80Q51 PRESET (PLASTIC PADDLE)	
6	57995	KEY .50 X .50 X 2.00	1
7	56851	SPROCKET-IDLER H8025 X 1.44	1
8	56864	WLDMT-ADJUSTER	1
9	56334	SPROCKET-IDLER 8012	1
10	1011577	NUT-HEX: .50 NC GR2 ZP	2
11	1032271	BOLT-HEX: .75 X 3.25 NC GR5 ZP	1
12	1012634	WASHER-FLAT: SAE .75 ZP	6
13	1030702	WASHER-FLAT: .75 ZP	2
14	1012061	WASHER-LOCK: .75 ZP	3
15	1011620	NUT-HEX: .75 NC GR5 ZP	3
16	57804	MOUNT	2
17	1013918	BOLT-HEX: .63 X 1.75 NC GR5 ZP	4
18	1013004	WASHER-FLAT: SAE .63 ZP	4
19	1016595	NUT-TOPLOCK: .63 NC GR5 ZP	4
20	57853	WLDMT-SUPPORT	1
21	1011625	BOLT-HEX: .75 X 4.00 NC GR5 ZP	2
22	57827	SLIDE-CHAIN	1
23	1011601	BOLT-HEX: .38 X 1.25 NC GR5 ZP	2
24	1014608	WASHER-FLAT: SAE .38 ZP	2
25	1016999	NUT-TOPLOCK: .38 NC GR5 ZP	2
26	69625	WLDMT-IDLER PADDLE SHAFT	1
27	72063	BOLT-CRG: .63 X 1.50 NC GR5 ZP	3
28	1016595	NUT-TOPLOCK: .63 NC GR5 ZP	3
29	68136	PLUG- .625 SQUARE PLASTIC (NOT SHOWN)	4



# TANK

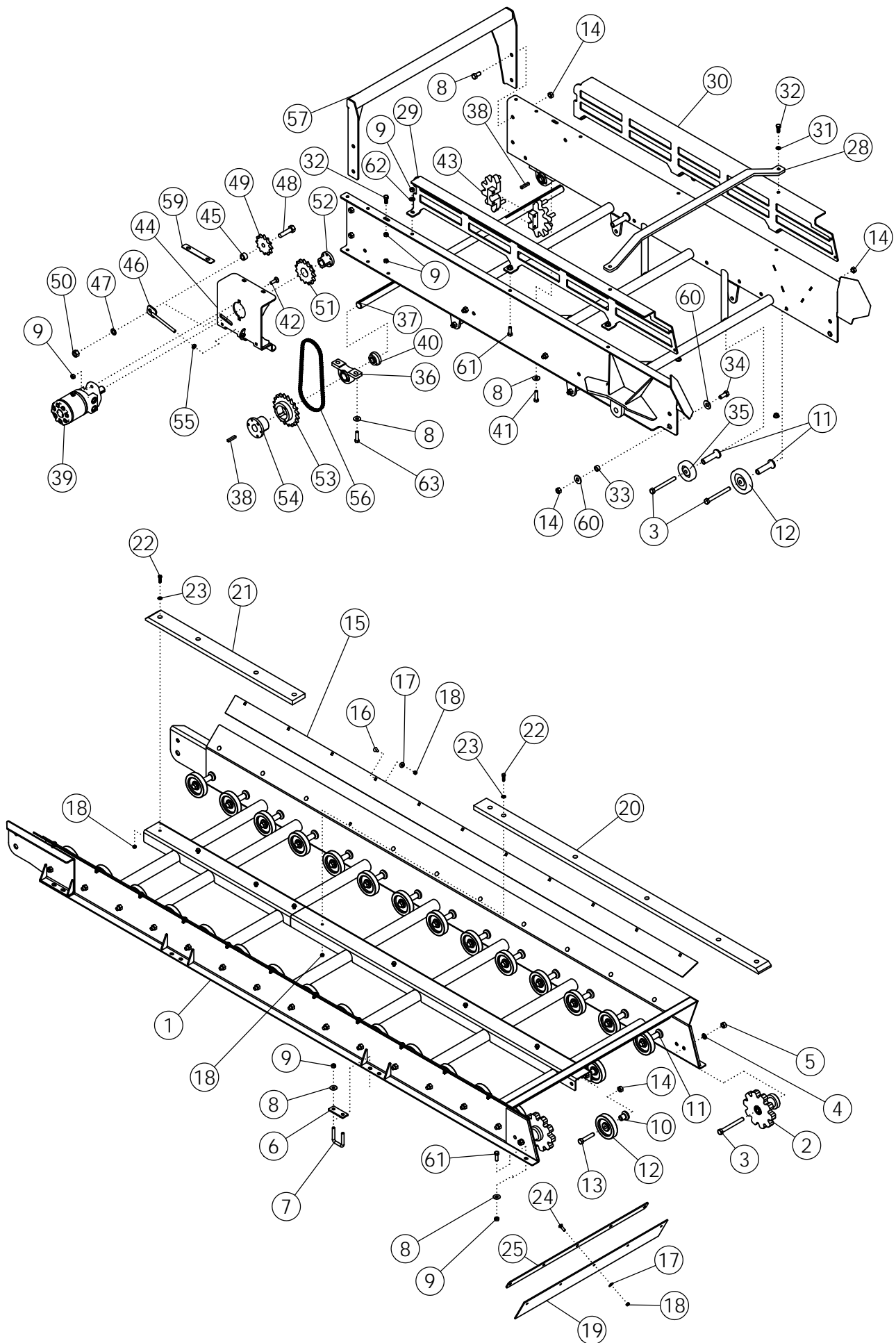
ITEM	PART NO.	DESCRIPTION	QTY
1	69782	WLDMT-TANK SCRUB 8R	1
2	53825	BOGIE WHEEL 5"	2
3	1013068	BOLT-HEX: .63 X 6.00 NC GR5 ZP	2
4	1016595	NUT-TOPLOCK: .63 NC GR5 ZP	14
5	54788	WLDMT-LOCK SLIDE	2
6	1020685	WASHER-FLAT: 1.00 ZP	4
7	1016944	PIN-COTTER: .25 X 2.00 ZP	4
8	56836	TUBE-LOCK	2
9	54785	WLDMT-LOCK BRACKET	2
10	1014349	BOLT-HEX: .63 X 1.50 NC GR5 ZP	4
11	1030947	PIN-HITCH: .63 X 4.00 ZP W/HAIRPIN	2
12	1014443	WASHER-FLAT: .50 ZP	22
13	1027461	NUT-TOPLOCK: .50 NC GR5 ZP	28
14	64749	TUBE-STRIKER	1
15	64574	PLATE-STRIKER	1
16	57917	PLATE-EXTENSION	2
17	65658	U-BOLT: .50 X 3 X 2.06 X 3	4
18	1017719	BOLT-HEX: .50 X 3.25 NC GR5 ZP	4
19	1011611	BOLT-HEX: .50 X 3.00 NC GR5 ZP	2
20	1014000	BOLT-HEX: .63 X 3.50 NC GR5 ZP	8
21	1013024	WASHER-FLAT: .63 ZP	16
22	72420	WLDMT-LADDER TOP	1
23	1011607	BOLT-HEX: .50 X 1.50 NC GR5 ZP	10
24	64192	STAND-OFF 4.00	2
25	1011584	WASHER-FLAT: SAE .50 ZP	4
26	301320	WLDMT-LADDER BOTTOM 3-RUNG	1
27	1012060	BOLT-HEX: .75 X 2.00 GR5 ZP	2
28	1030702	WASHER-FLAT: .75 ZP	4
29	1017000	NUT-TOPLOCK: .75 NC GR5 ZP	2
30	301383	PLATE-LADDER MOUNT LH	1
31	301384	PLATE-LADDER MOUNT RH	1
32	59615	DECAL-REFLECTIVE TAPE (NOT SHOWN)	8



# ELEVATOR AND BOOM ASSEMBLY 8 ROW

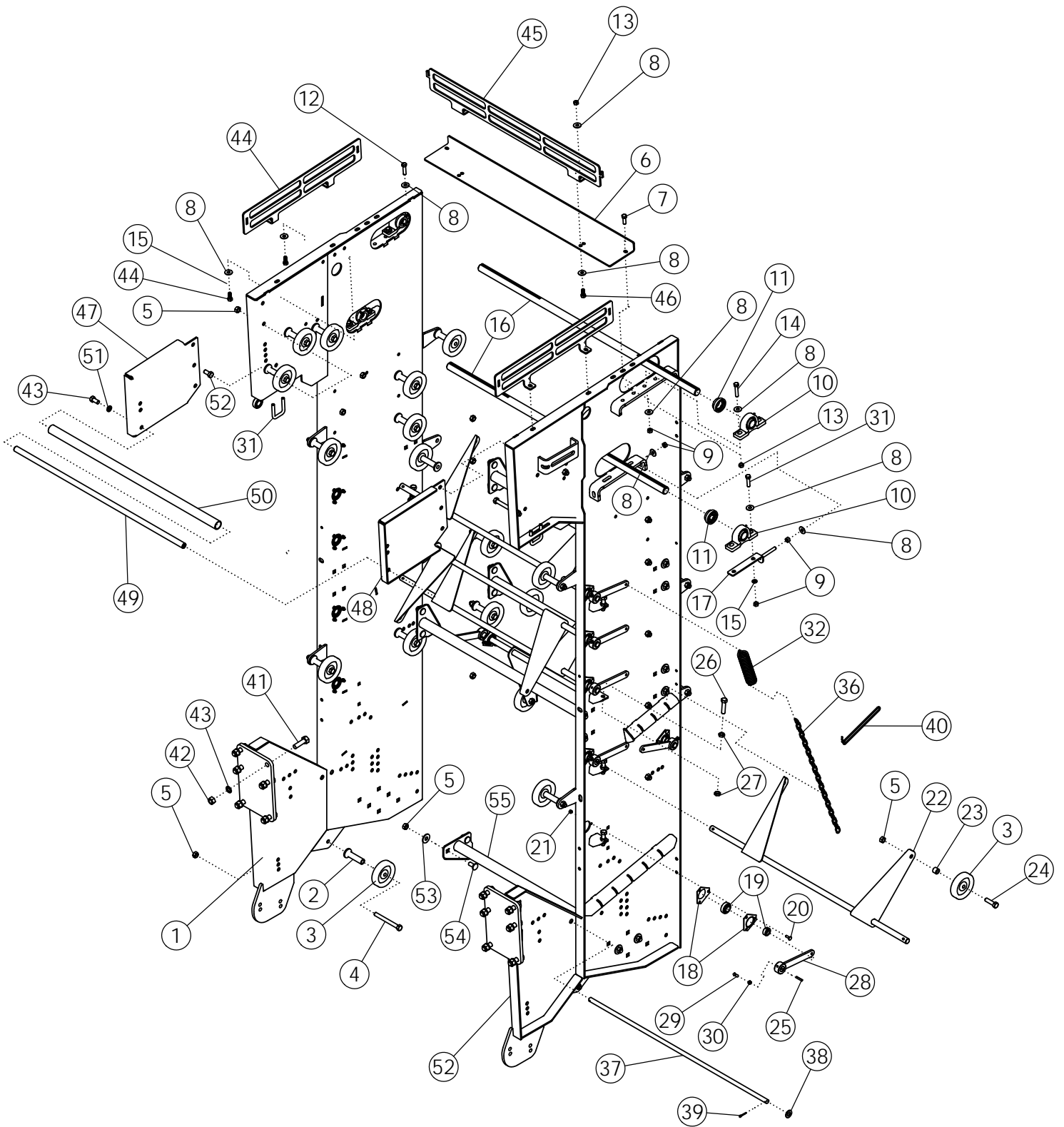
ITEM	PART NO.	DESCRIPTION	QTY
1	301505	WLDMT-ELEVATOR 8R	1
2	63813	SPROCKET-IDLER 50MM 10T	2
	54824	SPROCKET-IDLER 56MM	
3	1013068	BOLT-HEX: .63 X 6.00 NC GR5 ZP	44
4	1011813	WASHER-LOCK: .63 ZP	2
5	1011578	NUT-HEX: .63 NC GR2 ZP	2
6	64748	PLATE-ELEVATOR BACKING	8
7	65658	U-BOLT: .50 X 3 X 2.06 X 3	6
8	1014443	WASHER-FLAT: .50 ZP	25
9	1027461	NUT-TOPLOCK: .50 NC GR5 ZP	30
10	58971	STAND OFF 1.50"	2
11	64192	STAND OFF	42
12	53825	BOGIE WHEEL 5"	40
13	65825	BOLT-HEX: .63 X 3.25 NC GR5 ZP	2
14	1016595	NUT-TOPLOCK: .63 NC GR5 ZP	50
15	64550	SHEET-BELT PROTECTOR	2
16	59488	BOLT-CRG: .38 X 1.00 NC GR5 ZP	28
17	1011828	WASHER-FLAT .38 ZP	33
18	1016999	NUT-TOPLOCK: .38 NC GR5 ZP	43
19	64609	FLAP-ELEVATOR	1
20	69822	SLIDE-ELEVATOR PLASTIC 6R/8R/12R	1
21	301507	SLIDE-ELEVATOR PLASTIC 8R	1
22	1011601	BOLT-HEX: .38 X 1.25 NC GR5 ZP	10
23	1014608	WASHER-FLT: SAE .38 ZP	12
24	1016362	BOLT-CRG: .38 X 1.25 NC GR5 ZP	5
25	64608	STRIP-BOLTING	1
26	68073	BELT-50MM ELEVATOR 8R (NOT SHOWN)	1
	68072	BELT-56MM ELEVATOR 8R (NOT SHOWN)	
	301516	BELT- 56MM ELEVATOR 8R DOUBLE (NOT SHOWN)	
	301517	BELT- 50MM ELEVATOR 8R DOUBLE (NOT SHOWN)	
27	53450	WLDMT-ELEVATOR BOOM 4R/6R/8R	1
28	54803	CROSS BRACE-BOOM	1
29	301525	PLATE-BOOM EXTENSION SHORT FRONT	1
30	301524	PLATE-BOOM EXTENSION SHORT REAR	1
31	1011581	WASHER-LOCK: .50 ZP	2
32	1011606	BOLT-HEX: .50 X 1.25 NC GR5 ZP	4
33	53449	SLEEVE-HINGE	2
34	1014349	BOLT-HEX: .63 X 1.50 NC GR5 ZP	6
35	53854	BOGIE WHEEL 4"	4
36	53708	PILLOW BLOCK BEARING UCP-206-20	2

CONTINUED



## ELEVATOR AND BOOM ASSEMBLY (CONTINUED)

ITEM	PART NO.	DESCRIPTION	QTY
37	68650	SHAFT-HEAD Ø1.750	1
38	50152	KEY .38 X .38 X 2.00	3
39	57686	MOTOR-HYDRAULIC 32.3IN <sup>3</sup> /REV	1
	57880	SEAL KIT FOR 57686	
40	52382	SEAL PROTECTOR 1-3/4"	2
41	1011608	BOLT-HEX: .50 X 1.75 NC GR5 ZP	2
42	1011660	BOLT-CRG: .50 X 1.50 NC GR5 ZP	2
43	68658	SPROCKET-SPLIT 56MM 10T Ø1.750	2
	68659	SPROCKET-SPLIT 50MM 12T Ø1.750	
	301521	SPROCKET-SPLIT 50MM 12T Ø1.750 DOUBLE BELT	
44	64627	WLDMT-REDUCTION MOUNT	1
45	58086	SPACER-CHAIN IDLER ZP	1
46	63876	TENSIONER ZP	1
47	1012061	WASHER-LOCK: .75 ZP	1
48	1012059	BOLT-HEX: .75 X 3.00 NC GR5 ZP	1
49	56334	SPROCKET-IDLER 8012	1
50	1011620	NUT-HEX: .75 NC GR2 ZP	1
51	64155	SPROCKET H80-P15	1
52	53719	HUB P1 1-1/4"	1
53	56650	SPROCKET H80-Q20	1
54	50752	HUB Q1 1-7/16"	1
55	1011591	NUT-JAM: .50 NC ZP	2
56	64654	CHAIN-ROLLER 60H-1R-045	1
	64675	LINK-OFFSET #80H	2
57	64578	WLDMT-BOOM END SUPPORT	1
58	1032509	BOLT-HEX: .63 X 1.25 NC GR5 ZP	4
59	64732	PLATE-SHIM 0.120	1
60	1013024	WASHER-FLAT: .63 ZP	4
61	1011607	BOLT-HEX: .50 X 1.50 NC GR5 ZP	8
62	1011584	WASHER-FLAT: SAE .50 ZP	12
63	1017708	BOLT-HEX: .50 X 2.25 NC GR5 ZP	2

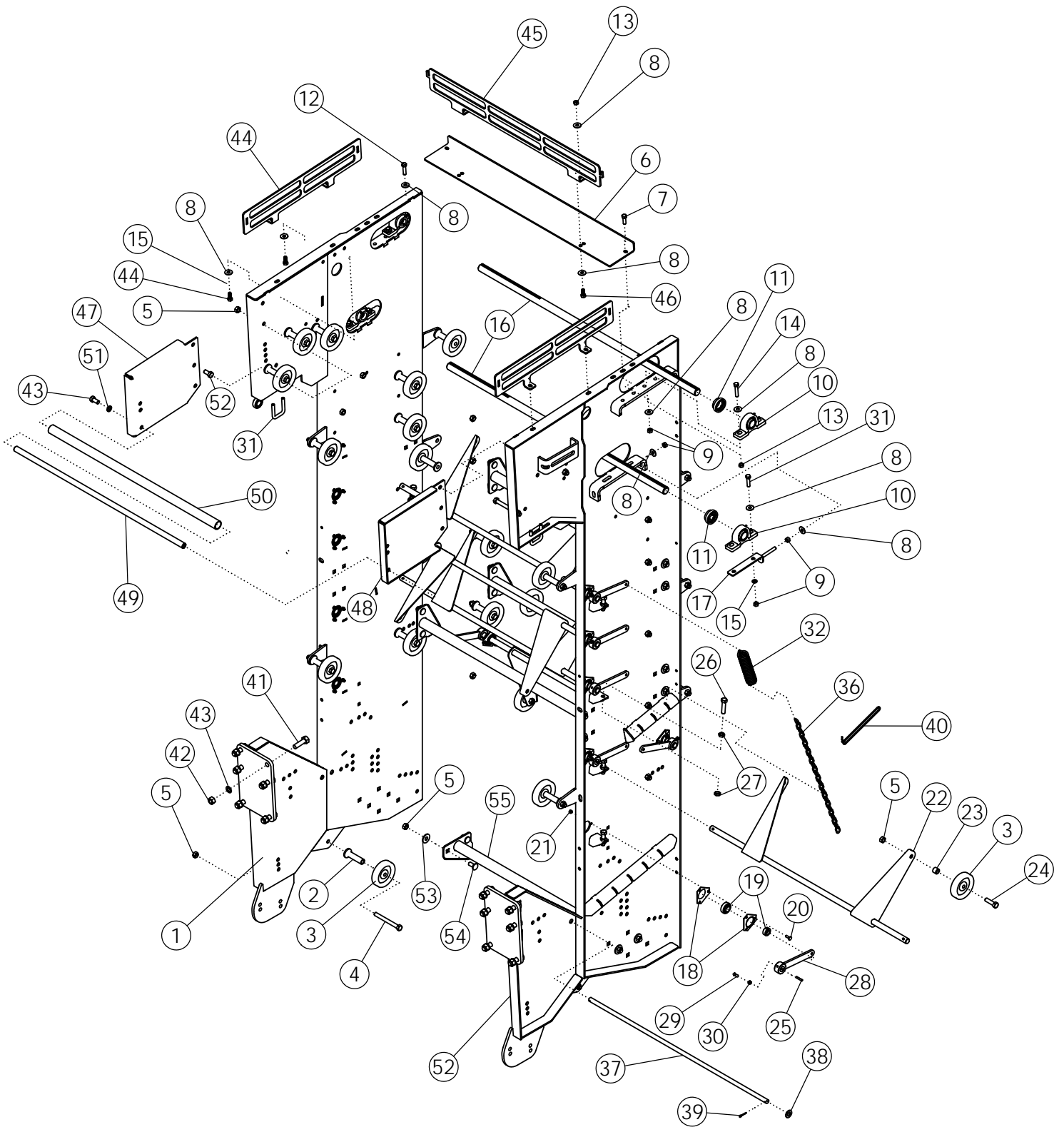




# REAR SCRUB

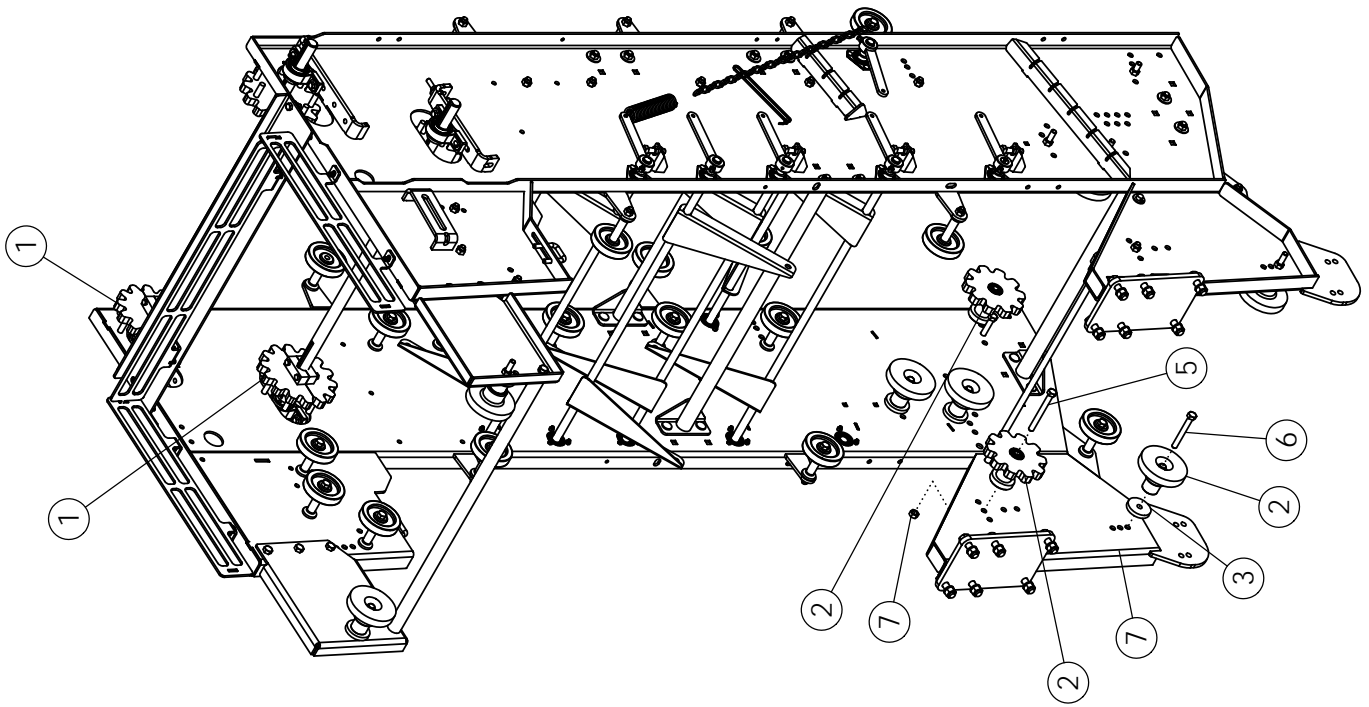
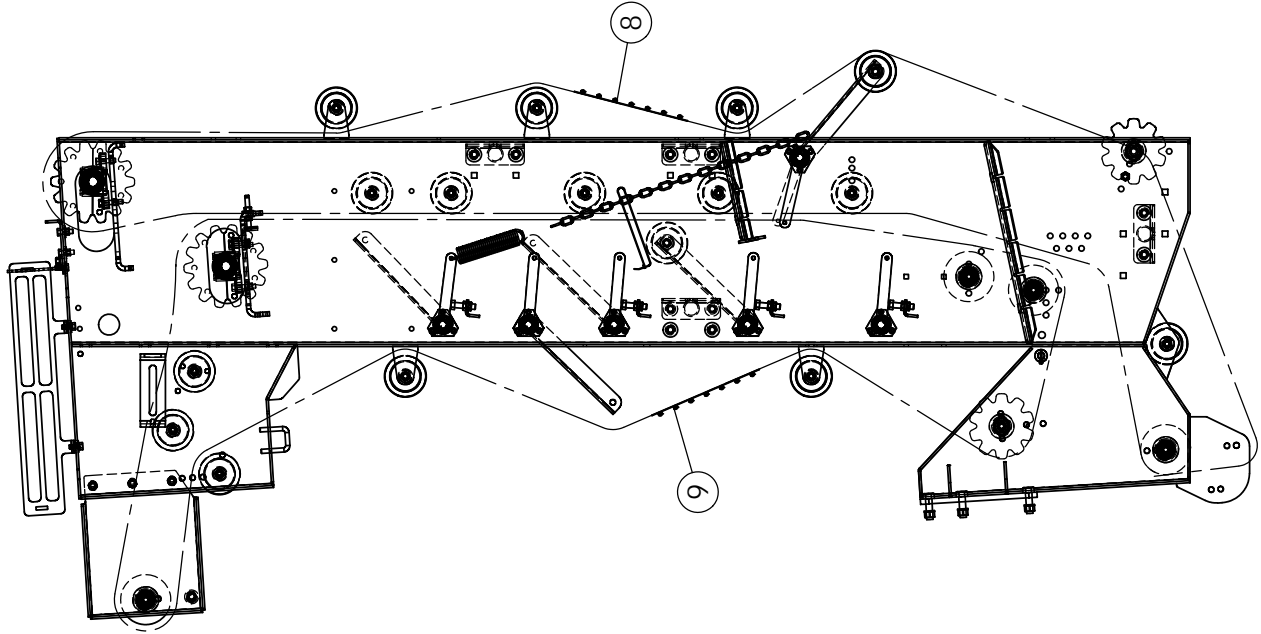
ITEM	PART NO.	DESCRIPTION	QTY
1	300402	WLDMT-REAR SCRUB PANEL RH	1
2	64192	STAND OFF	28
3	53825	BOGIE WHEEL 5"	40
4	1013068	BOLT-HEX: .63 X 6.00 NC GR5 ZP	28
5	1016595	NUT-TOPLOCK: .63 NC GR5 ZP	64
6	57916	BAR-STRIPPER	1
7	1011606	BOLT-HEX: .50 X 1.25 NC GR5 ZP	2
8	1014443	WASHER-FLAT: .50 ZP	28
9	1011577	NUT-HEX: .50 NC GR2 ZP	14
10	52405	PILLOW BLOCK BEARING 1.75	4
11	52382	SEAL PROTECTOR 1.75	4
12	1011609	BOLT-HEX: .50 X 2.00 NC GR5 ZP	4
13	1027461	NUT-TOPLOCK: .50 NC GR5 ZP	10
14	1011610	BOLT-HEX: .50 X 2.50 NC GR5 ZP	4
15	1011581	WASHER-LOCK: .50 ZP	2
16	68650	SHAFT-HEAD 1.75	2
17	68655	TIGHTENER-ZP	2
18	53945	TRIANGLE FLANGETTE	24
19	53944	BEARING-INSERT 1" WITH LOCKING COLLAR	12
20	1017255	BOLT-CRG: .31 X 1.00	36
21	1030700	NUT-TOPLOCK: .31 NC GR5 ZP	36
22	53401	WLDMT-PENDULUM	6
23	64253	SPACER ZP	12
24	1017526	BOLT-HEX: .63 X 2.25 NC GR5 ZP	12
25	1012975	KEY .250 X .250 X 1.250	12
26	69390	BOLT-HEX: .63 X 2.50 NC GR5 ZP FULL	8
27	1026259	NUT-JAM: .63 NC GR2 ZP	16
28	50718	ARM-ZP	12
29	50813	SCREW-SET: SQ HD .38 X 1.00 ZP	12
30	1013519	NUT-JAM: .38 NC GR2 ZP	12
31	65658	U-BOLT: .50 X 3 X 2.063 X 3	2
32	53159	SPRING	12
33	57937	CHAIN-LINK: .19 X 8.00 (NOT SHOWN)	4
34	57938	CHAIN-LINK: .19 X 20.00 (NOT SHOWN)	2
35	57939	CHAIN-LINK: .19 X 24.00 (NOT SHOWN)	4
36	57940	CHAIN-LINK: .19 X 30.00	2
37	62896	ROD-SCRUB CLEANER	1
38	1012634	WASHER-FLAT: SAE .75 ZP	2
39	1011984	PIN-COTTER: .16 X 1.50 ZP	2
40	1017248	TIE, CABLE	4

CONTINUED



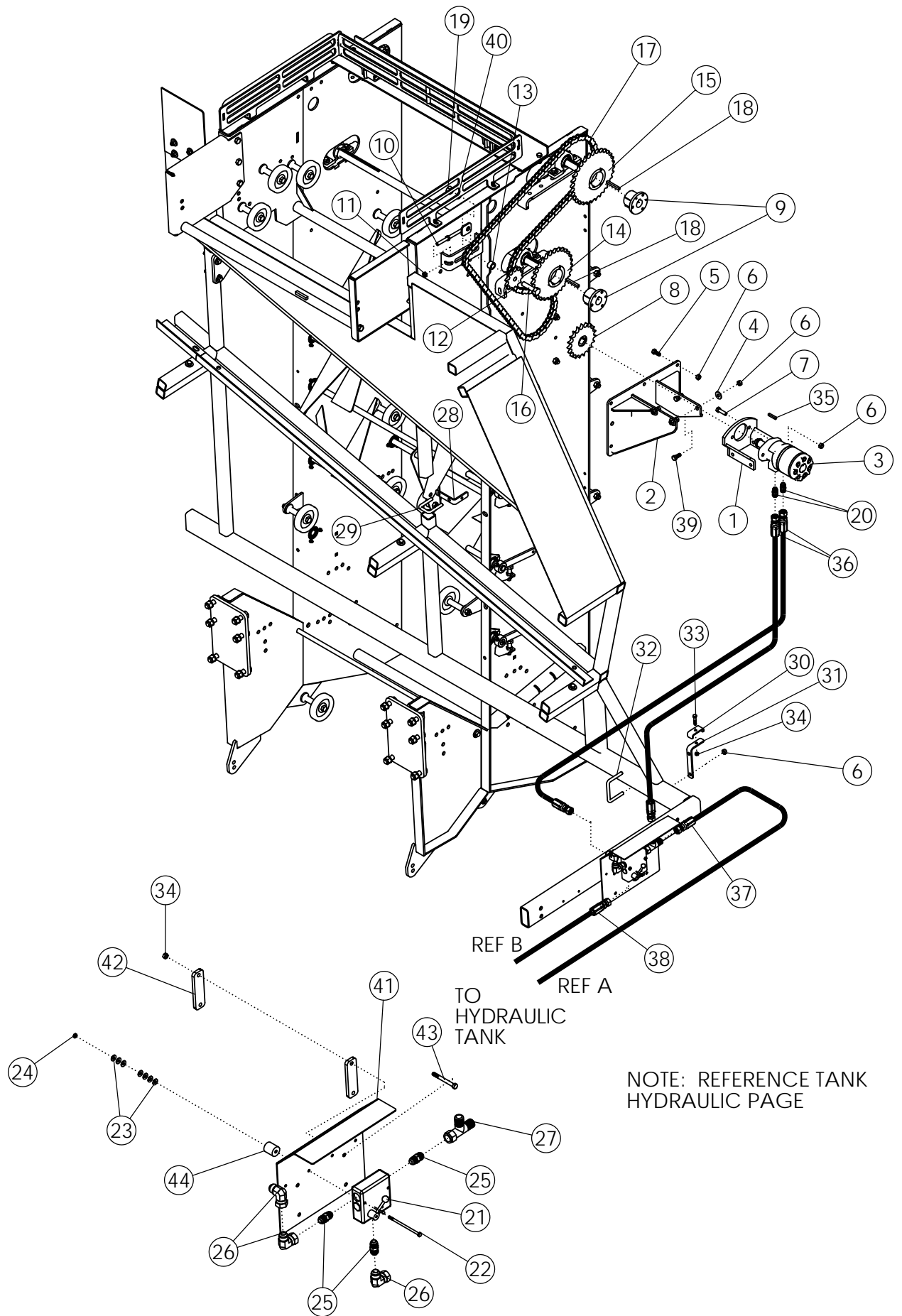
## REAR SCRUB (CONTINUED)

ITEM	PART NO.	DESCRIPTION	QTY
41	1016598	BOLT- HEX: .75 X 2.50 NC GR5 ZP	12
42	1017000	NUT-TOPLOCK: .75 NC	12
43	1032509	BOLT-HEX: .63 X 1.25 NC GR5 ZP	8
44	73127	PLATE-SCRUB EXT.-SIDE	2
45	58898	PLATE-SCRUB EXT-REAR	1
46	1011607	BOLT-HEX: .50 X 1.50 NC GR5 ZP	6
47	54805	REAR SCRUB EXTENSION RH	1
48	54778	REAR SCRUB EXTENSION LH	1
49	56754	PIPE-THREADED	1
50	56773	PIPE-PLASTIC	1
51	1011813	WASHER-LOCK: .63 ZP	2
52	300401	WLDMT-REAR SCRUB PANEL LH	1
53	1013024	WASHER-FLAT: .63 ZP	16
54	72063	BOLT-CRG: .63 X 1.50 NC GR5 ZP	16
55	300403	WLDMT-CROSS TUBE	4



## REAR SCRUB: BELTED CHAIN 50 MM

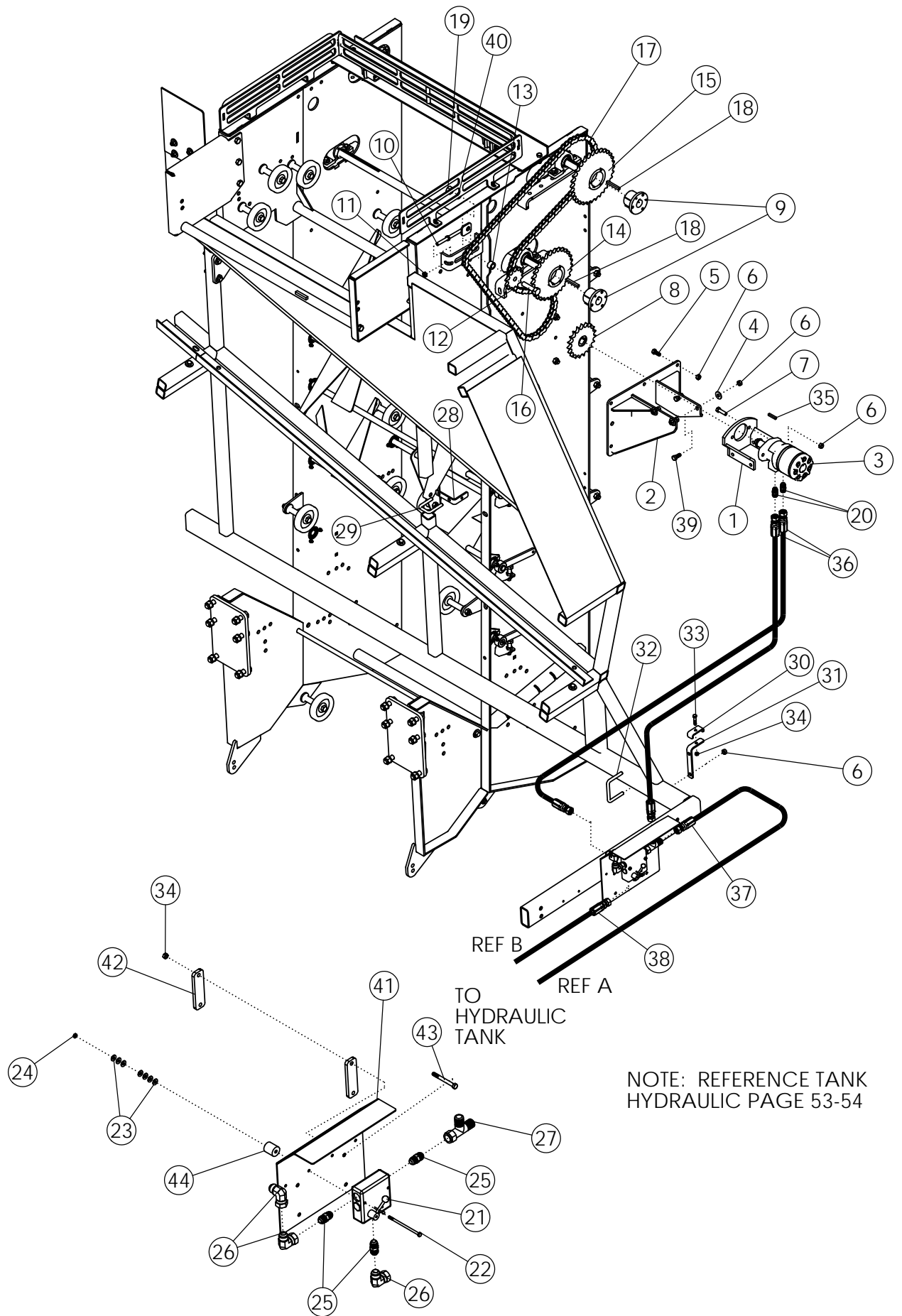
ITEM	PART NO.	DESCRIPTION	QTY
1	68657	SPROCKET-SPLIT 50MM 14T 1.75	4
2	63813	SPROCKET-IDLER 50MM 10T	4
3	62932	PLATE-SHIM .50	8
4	54042	ROLLER-STEP 6"	8
5	1013068	BOLT-HEX: .63 X 6.00 NC GR5 ZP	4
6	1013816	BOLT-HEX: .63 X 5.00 NC GR5 ZP	8
7	1016595	NUT-TOPLOCK: .63 NC GR5 ZP	12
8	63815	BELT-50MM 1/2 X 42 X 175 LPR	1
9	63814	BELT-50MM 1/2 X 42 X 154 LPR	1



## REAR SCRUB DRIVE: SINGLE MOTOR

ITEM	PART NO.	DESCRIPTION	QTY
1	58102	WLDMT-MOTOR BRACKET	1
2	62103	WLDMT-GEARBOX MOUNT	1
3	58987	MOTOR-HYDRAULIC 20.6IN <sup>3</sup> /REV	1
	57880	SEAL KIT FOR 58387	
4	1014443	WASHER-FLAT: .50 ZP	4
5	1011606	BOLT-HEX: .50 X 1.25 NC GR5 ZP	5
6	1027461	NUT-TOPLOCK: .50 NC GR5 ZP	17
7	1011608	BOLT-HEX: .50 X 1.75 NC GR5 ZP	2
8	62125	SPROCKET-8019X 1.25 BORE .313 KEY	1
9	50335	HUB Q1 1.75	2
10	63876	TENSIONER ZP	1
11	1011577	NUT-HEX: .50 NC GR2 ZP	2
12	56334	SPROCKET-IDLER 8012	1
13	58086	SPACER-CHAIN IDLER ZP	1
14	59051	SPROCKET H80-Q30	1
15	59052	SPROCKET H80-Q32	1
16	1012059	BOLT- HEX: .75 X 3.00 NC GR5 ZP	1
17	68784	CHAIN-ROLLER 80-1R-114	1
18	50152	KEY .38 X .38 X 2.00	2
19	1011620	NUT-HEX: .75 NC GR2 ZP	1
20	59043	FTG-ADAPTER: 10MB-12MJ	2
21	58985	VALVE-FLOW CONTROL- 3/4" FP	1
	64414	SEAL KIT FOR 58985	
22	1030766	BOLT-HEX: .25 X 4.00 NC GR5 ZP	2
23	1020416	WASHER-FLAT: .25 ZP	14
24	1030946	NUT-TOPLOCK: .25 NC GR5 ZP	2
25	59042	FTG-ADAPTER: 12MP-12MJ	3
26	59041	FTG-ELBOW: 12MJ-12FJX-90	3
27	59888	FTG-TEE: 12MJ-12FJX-12MJ	1
28	59184	BRACKET-HOSE ZP	1
29	65658	U-BOLT: .50 X 3.00 X 2.06 X 3.00	1
30	63753	CLAMP .75 ZP	3
31	59182	BRACKET-HOSE ZP	2
32	54653	U-BOLT: .50 X 3.25 X 4.00 X 3.25	2
33	1011725	BOLT-HEX: .38 X 2.00 NC GR5 ZP	3
34	1016999	NUT-TOPLOCK: .38 NC GR5 ZP	7
35	58396	KEY .313 X .313 X 1.750	1
36	59895	HOSE: .75 X 173 12FJX-12FJX (8R-FRAME)	2
	59036	HOSE: .75 X 152 12FJX-12FJX (6R-FRAME)	
37	59801	HOSE: .75 X 74 12FJX-12FJX	1
38	59035	HOSE: .75 X 66 12FJX-12FJX	1

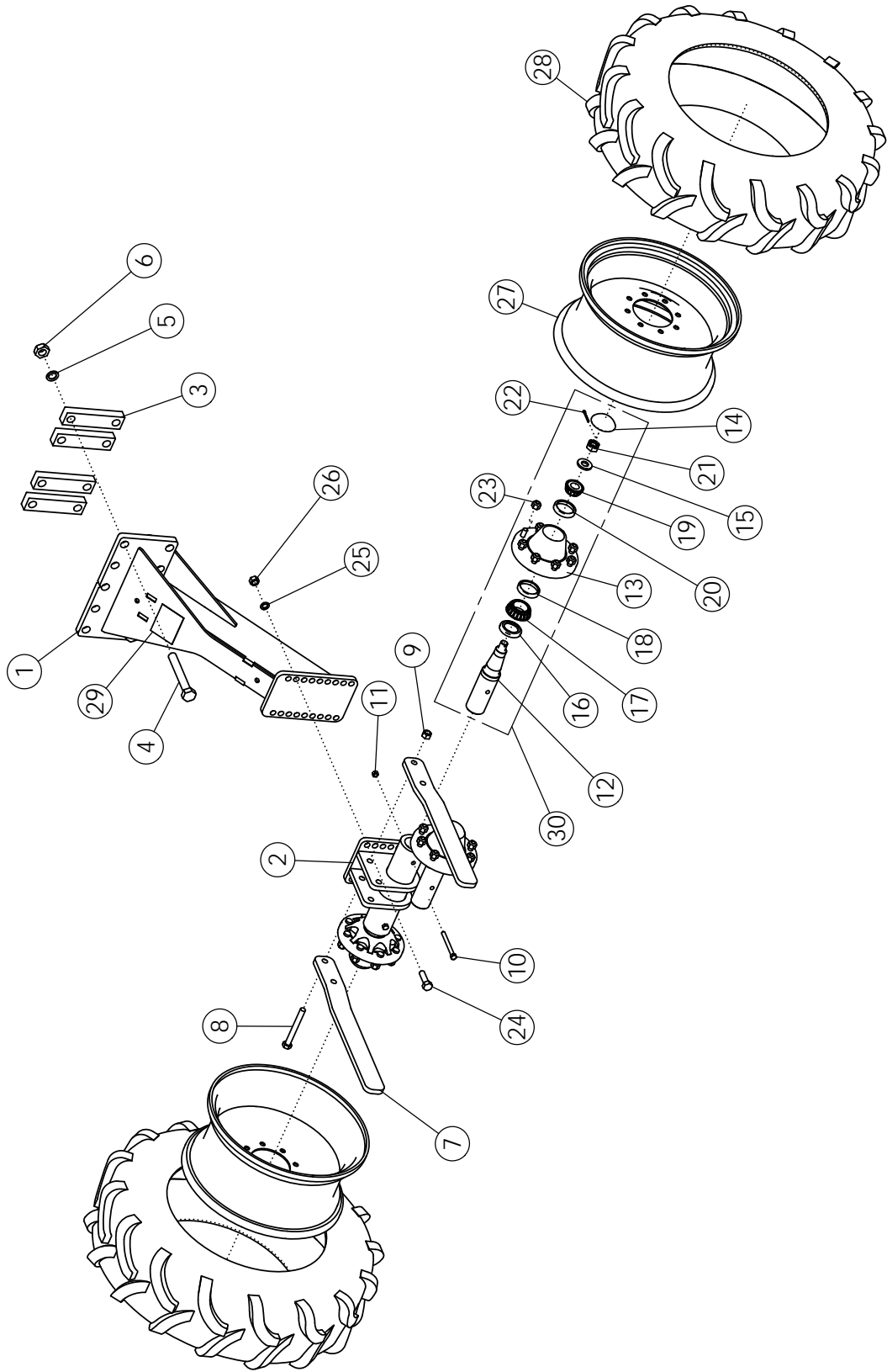
CONTINUE





## REAR SCRUB DRIVE: SINGLE MOTOR (CONTINUED)

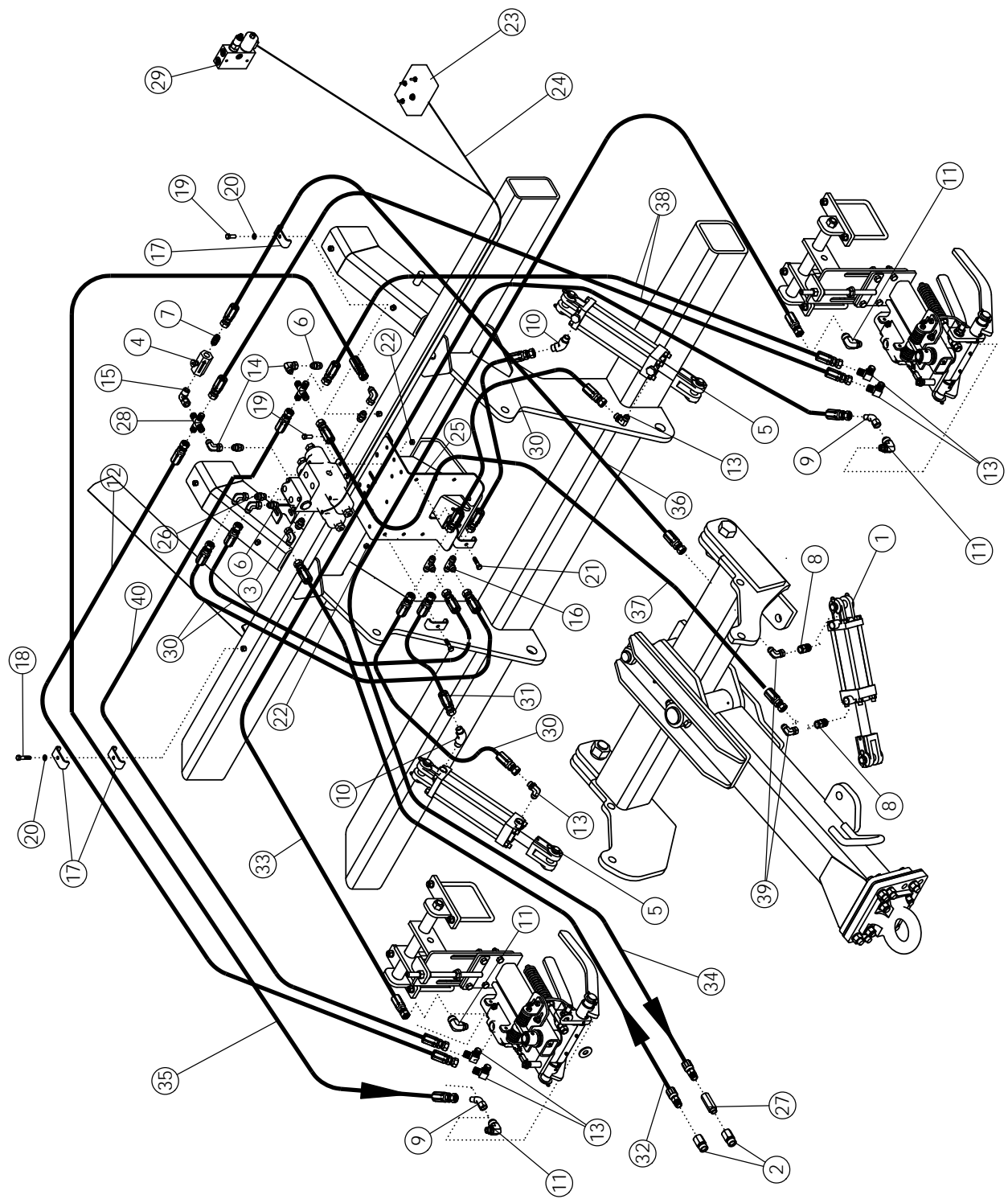
ITEM	PART NO.	DESCRIPTION	QTY
39	1011607	BOLT-HEX: .50 X 1.50 NC GR5 ZP	4
40	1012061	WASHER-LOCK: .75 ZP	1
41	69020	WLDMT-BRACKET FLOW CONTROL	1
42	59881	BRACKET-BOLT PLATE	4
43	58176	BOLT-HEX: .38 X 3.50 NC GR5 ZP	4
44	59463	SPACER ZP	2



# REAR STRUTS

ITEM	PART NO.	DESCRIPTION	QTY
1	69206	WLDMT REAR STRUT	1
2	57732	WLDMT - MOUNT - EXPORT	1
3	64143	BAR - BOLTING	4
4	64145	BOLT-HEX: 1.13 X 8.00 NC GR8 ZP	8
5	64147	WASHER-LOCK: 1.13 ZP	8
6	64146	NUT-HEX: 1.13 NC GR2 ZP	8
7	63685	SCRAPER-EXPORT	2
8	1016718	BOLT-HEX: .75 X 6.50 NC GR5 ZP	2
9	1017000	NUT-TOPLOCK: .75 NC GR5 ZP	2
10	1011618	BOLT-HEX: .50 X 5.00 NC GR5 ZP	2
11	1027461	NUT-TOPLOCK: .50 NC GR5 ZP	2
12	56897*	SPINDLE-EXPORT	1
13	53623*	HUB-WHEEL 8 BOLT	1
14	53624*	HUB CAP	1
15	1030728*	WASHER-FLAT: SAE 1.00 GR8 ZP	1
16	53619*	SEAL	1
17	53621*	BEARING CONE-INNER	1
18	53622*	BEARING CUP-INNER	1
19	53620*	BEARING CONE-OUTER	1
20	52243*	BEARING CUP-OUTER	1
21	1030726*	NUT-SPINDLE: 1.00 NF NP	1
22	1030797*	PIN-COTTER: .19 X 1.75 NP	1
23	53625*	NUT-WHEEL: .63-18NF	8
24	1016598	BOLT-HEX: .75 X 2.50 NC GR5 ZP	6
25	1012061	WASHER-LOCK: .75 ZP	6
26	1011620	NUT-HEX: .75 NC GR2 ZP	6
27	56903	WHEEL W10 X 24 8 BOLT (1.88 POS)	2
28	56976	TIRE 11.2-24 10 PLY R1	2
29	52248R	DECAL-CAUTION - RUSSIA	1
30	56900	ASSY HUB & SPINDLE	2

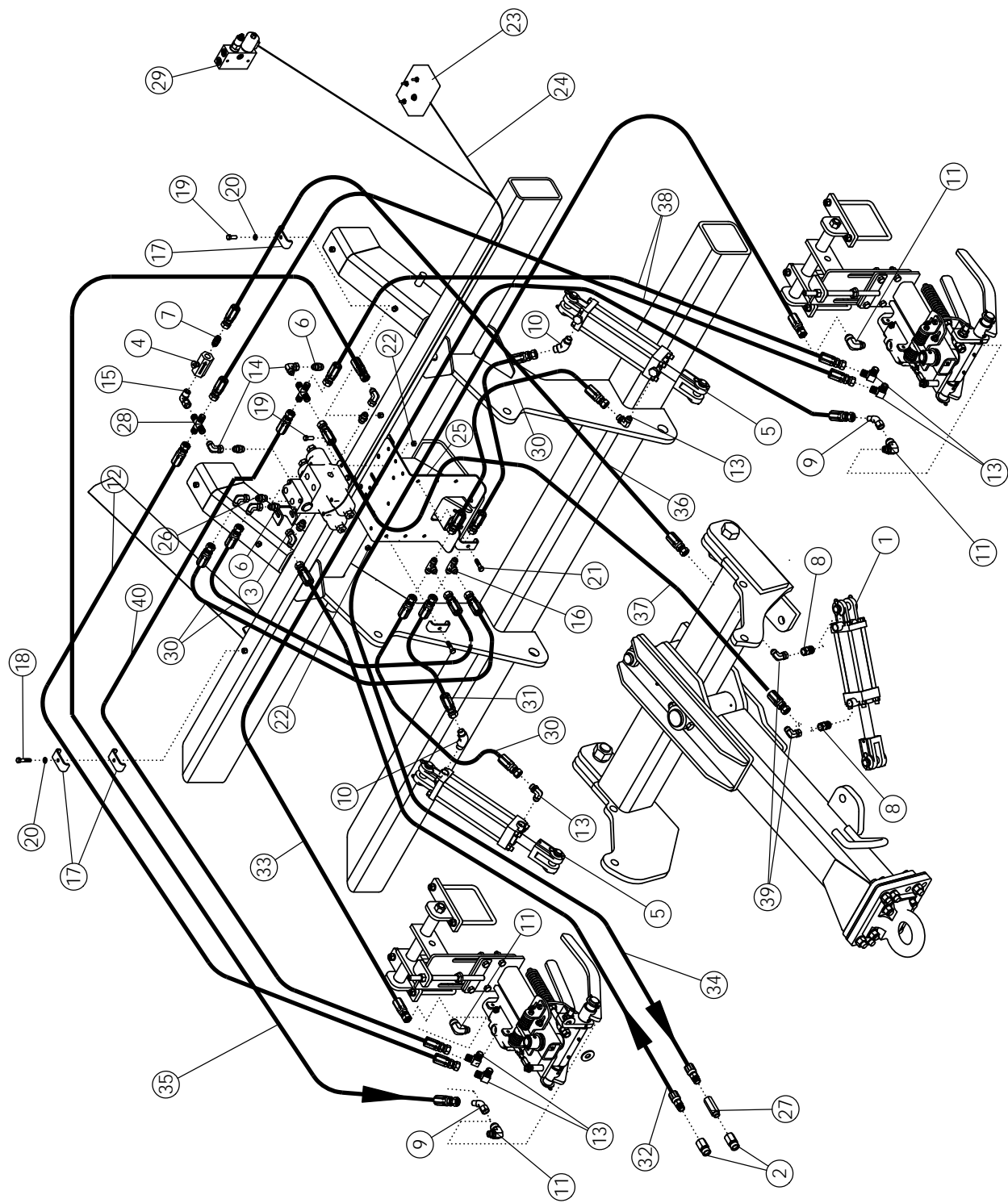
\*ITEMS ARE INLCUDED IN ITEM 30



# DUAL RF & HITCH HYDRAULICS: ONBOARD

ITEM	PART NO.	DESCRIPTION	QTY
1	58891	CYLINDER-HYDRAULIC 4 X 8; 3000 PSI	1
	301315	SEAL KIT FOR 58891	
2	64195	FTG-ADAPTER: M27-1.5 X .5 NPTF	2
3	63673	VALVE-DIRECTION CTL, 2 BANK, OC	1
4	63697	VALVE-NEEDLE RESTRICTOR .5 PIPE	1
5	62082	CYLINDER-HYDRAULIC 4 X 10; 3000 PSI	2
	301315	SEAL KIT FOR 62082	
6	56226	FTG-ADAPTER: 8MB-8MJ	5
7	58193	FTG-ADAPTER: 8MP-8MJ	1
8	56941	FTG-ADAPTER: 8MB-8FJX	2
9	57663	FTG-ELBOW: 8MJ-8FJX-45	2
10	58515	FTG-ELBOW: 8MB-8MJ-45	2
11	65901	FTG-ELBOW: 10MB-8MJ-90	4
12	63669	HOSE: .50 X 154 8FJX-8FJX	1
13	58560	FTG-ELBOW: 8MB-8MJ-90	2
14	57668	FTG-ELBOW: 8MJ-8FJX-90	7
15	63694	FTG-ELBOW: 8MP-8FJX-90	1
16	57667	FTG-TEE: 8MJ-8MJ-8MJ	2
17	50714	CLAMP .50 ZP	5
18	1011603	BOLT-HEX: .38 X 1.75 NC GR5 ZP	1
19	1011600	BOLT-HEX: .38 X 1.00 NC GR5 ZP	5
20	1011586	WASHER-LOCK: .38 ZP	2
21	1011602	BOLT-HEX: .38 X 1.50 NC GR5 ZP	2
22	1016999	NUT-TOPLOCK: .38 NC GR5 ZP	6
23	63688	CONTROL-ASSY CIS HRV	1
24	63689	HARNES-CONTROL CIS HRV	1
25	62883	PLATE-HOSE MOUNT	1
26	64734	FTG-RESTRICTOR 8MB-8MJ	1
27	300070	VALVE-CHECK 8FP X 8MP FLOW F --> M	1
28	68160	FTG-CROSS: 8MJ	2
29	64687	VALVE-2 X 2 DUMP & RELIEF	1
30	57676	HOSE: .50 X 031 8FJX-8FJX	4
31	57677	HOSE: .50 X 021 8FJX-8FJX	2
32	300055	HOSE: .50 X 100 8MB-8FJX	1
33	58378	HOSE: .50 X 182 8FJX-8FJX	1
34	300039	HOSE: .50 X 184 8MB-8FJX	1
35	63674	HOSE: .50 X 104 8FJX-8FJX	1
36	63675	HOSE: .50 X 055 8FJX-8FJX	1
37	63903	HOSE: .50 X 068 8FJX-8FJX	1

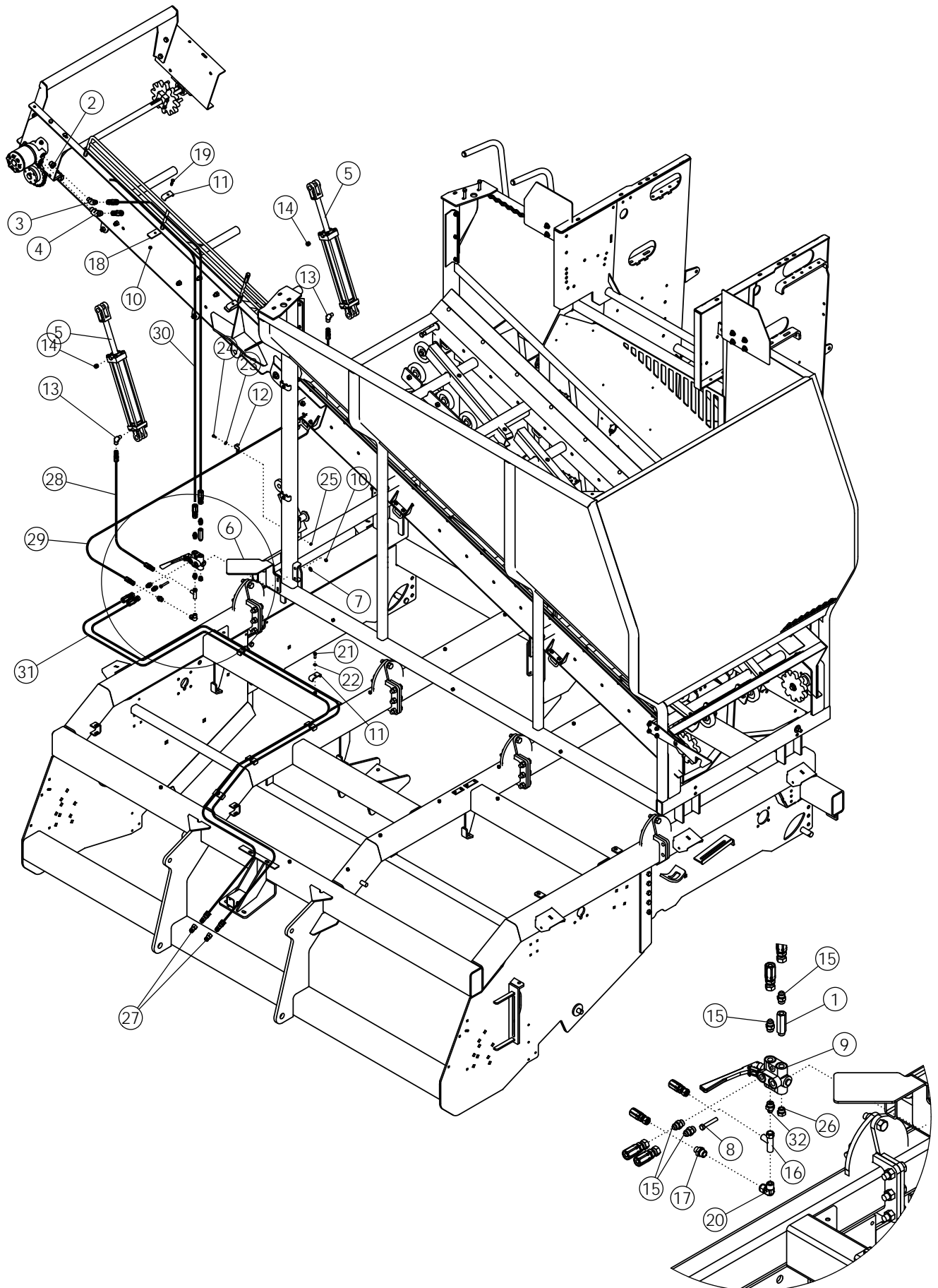
CONTINUED



## DUAL RF & HITCH HYDRUALICS: ONBOARD (CONTINUED)

ITEM	PART NO.	DESCRIPTION	QTY
38	1024421	HOSE: .50 X 090 8FJX-8FJX	2
39	63017	FTG-ELBOW 8MJ-8MJ-90	2
40	63668	HOSE: .50 X 160 8FJX-8FJX	1

**\*\*IMPORTANT\*\* ITEM 27 (PN: 300070-CHECK VALVE) MUST BE INSTALLED AS SHOWN PER THE DIAGRAM, TO PREVENT PREMATURE ROWFINDER VALVE FAILURE.**

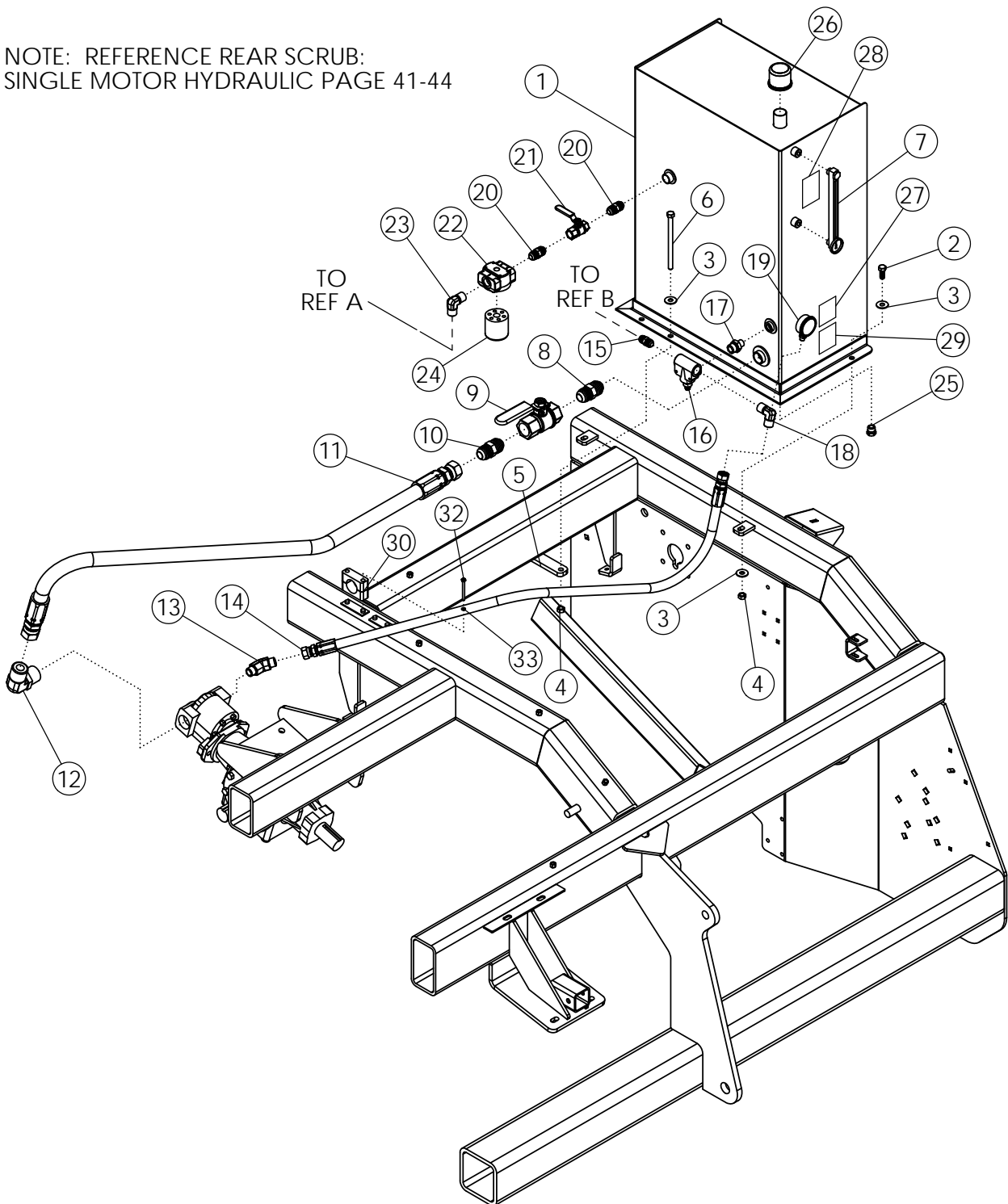




# TANK HYDRAULICS

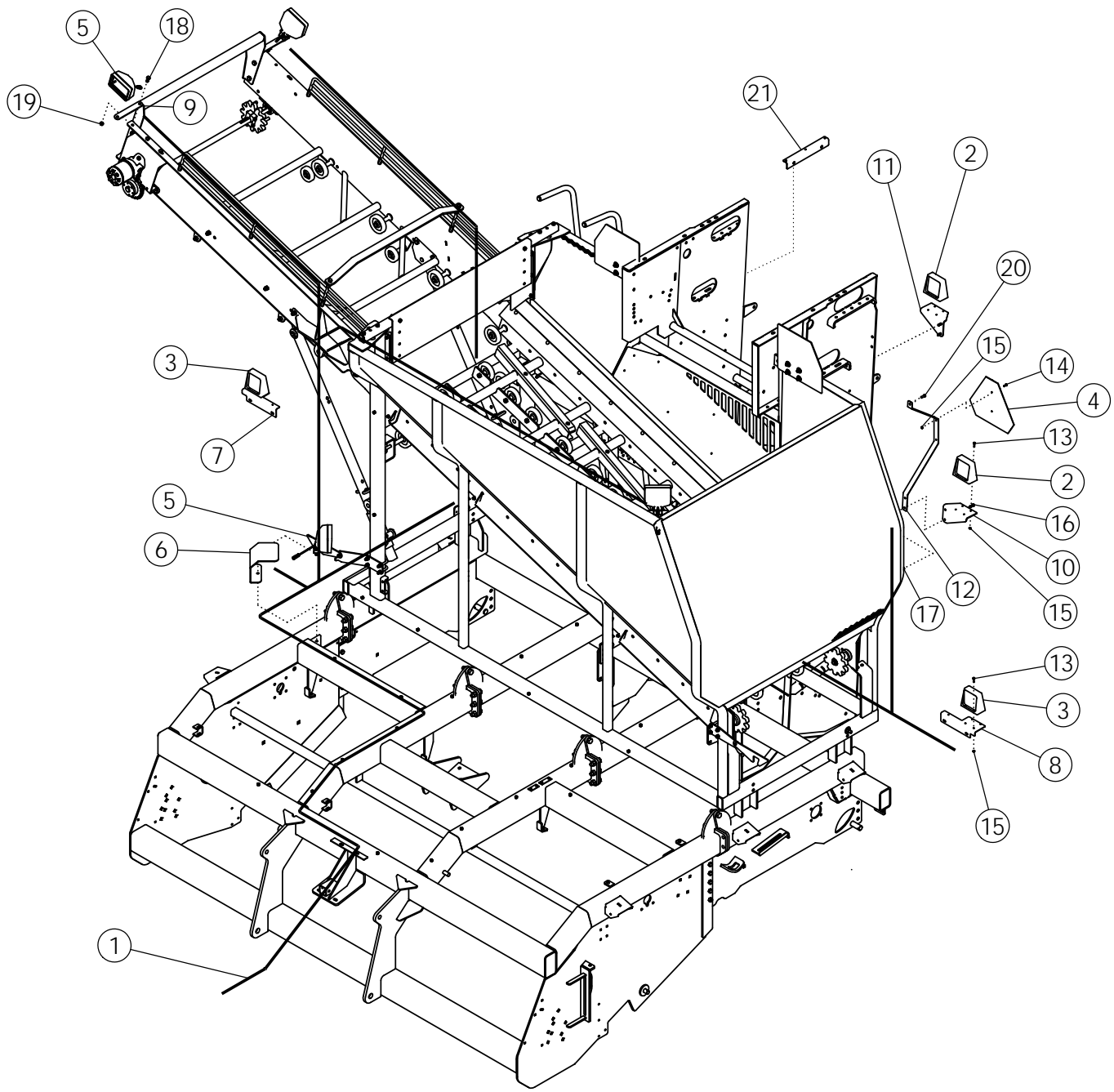
ITEM	PART NO.	DESCRIPTION	QTY
1	300070	VALVE-CHECK: 8MP-8FP	1
2	300069	FTG-ADAPTER: 8FB-10MB	1
3	58515	FTG-ELBOW: 8MB-8MJ-45	1
4	56229	FTG-ELBOW: 10MB-8MJ-45	1
5	58889	CYLINDER-HYD 2.5 X 16	2
	59242	SEAL KIT FOR 58889	
6	62904	GUARD-SELECTOR VALVE	1
7	1011828	WASHER-FLAT: .38 ZP	2
8	59390	BOLT-HEX: .38 X 2.25 NC GR5 ZP	2
9	58470	VALVE-SELECTOR	1
10	1016999	NUT-TOPLOCK: .38 NC GR5 ZP	4
11	50714	CLAMP .50 ZP	9
12	50779	CLAMP	2
13	58557	FTG-ELBOW: 8MB-6MJ 90	2
14	58547	FTG-PLUG: 8MB BREATHER	2
15	56226	FTG-ADAPTER: 8MB-8MJ	4
16	56231	FTG-TEE: 6MJ-6FJX-6MJ	1
17	300072	FITTING-RESTRICTOR (6MJ-8FJ R 1/16)	1
18	54825	BRACKET-HOSE ZP	2
19	1011602	BOLT-HEX: .38 X 1.50 NC GR5 ZP	2
20	55733	FTG-ELBOW: 8MB-8FP 90	1
21	1011600	BOLT-HEX: .38 X 1.00 NC GR5 ZP	7
22	1011586	WASHER-LOCK: .38 ZP	7
23	1020416	WASHER-FLAT: .25 ZP	2
24	1011595	BOLT-HEX: .25 X .75 NC GR5 ZP	2
25	1030946	NUT-TOPLOCK: .25 NC GR5 ZP	2
26	56190	FTG-PLUG: 8MB	1
27	36290	PIONEER TIP 8010-15P (#8ORB)	2
28	44159	HOSE: .38 X 40 6FJX-6FJX	1
29	58867	HOSE: .38 X 110 6FJX-6FJX	1
30	59889	HOSE: .50 X 161 8FJX-8FJX	2
31	300076	HOSE: .50 X 262 8MP-8FJX	2
32	66624	FTG-ADAPTER: 6MJ-8MB	1

NOTE: REFERENCE REAR SCRUB:  
SINGLE MOTOR HYDRAULIC PAGE 41-44



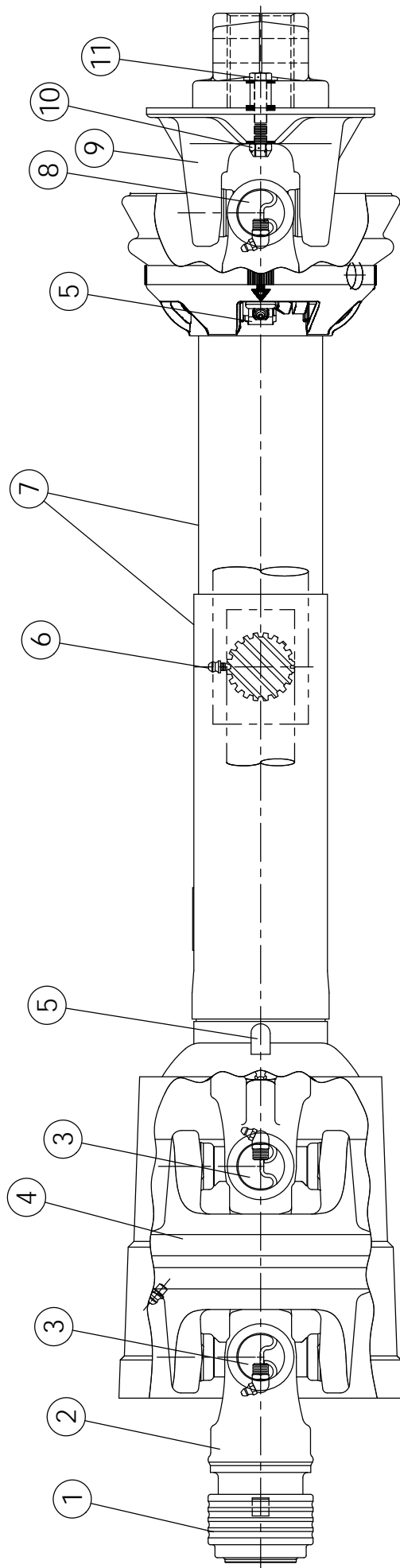
# HYDRAULIC TANK

ITEM	PART NO.	DESCRIPTION	QTY
1	58079	HYDRAULIC TANK-PAINTED	1
2	1011606	BOLT-HEX: .50 X 1.25 NC GR5 ZP	2
3	1014443	WASHER-FLAT: .50 ZP	6
4	1027461	NUT-TOPLOCK: .50 NC GR5 ZP	4
5	58204	BAR - BOLTING	1
6	1032514	BOLT-HEX: .50 X 7.50 NC GR5 ZP	2
7	58914	GAUGE-LEVEL & TEMP	1
8	58978	FTG-ADAPTER: 20MP-20MP	1
9	58979	VALVE-BALL: 20FP-20FP	1
10	62209	FTG-ADAPTER: 20MP-20MJ	1
11	62213	HOSE: 1.25 X 084 20FJX-20FJX	1
12	58980	FTG-ELBOW: 24MB-20MJ-90	1
13	62212	FTG-ELBOW: 16MB-12MJ-45	1
14	62517	HOSE: .75 X 079 12FJX-12FJX	1
15	59042	FTG-ADAPTER: 12MP-12MJ	1
16	58190	VALVE-RELIEF	1
17	58466	FTG-ADAPTER: 12MP-8MP	1
18	58983	FTG-ELBOW: 12MP-12MJ-90 W/.25" FP	1
19	62518	GAUGE-PRESSURE: 1/4"MP 3000 PSI	1
20	58196	FTG-ADAPTER: 12MP-12MP	2
21	59165	VALVE-BALL 3/4FP - 3/4FP	1
22	58690	FILTER HEAD	1
23	59044	FTG-ELBOW: 12MP-12MJ-90	1
24	58691	FILTER-HYDRAULIC	1
25	55718	FTG-PLUG: 8MB	1
26	58197	CAP-FILLER	1
27	62964R	DECAL-WARNING	1
28	64428R	DECAL-HYD TANK SPECS	1
29	64429R	DECAL-WARNING BALL VALVE	1
30	64612	CLAMP-STAUFF 6445PP	1
31	64613	PLATE-COVER DP6	1
32	1032287	BOLT-HEX: .25 X 2.75 NC GR5 ZP	2
33	1013242	WASHER-LOCK: .25 ZP	2



# LIGHT KIT

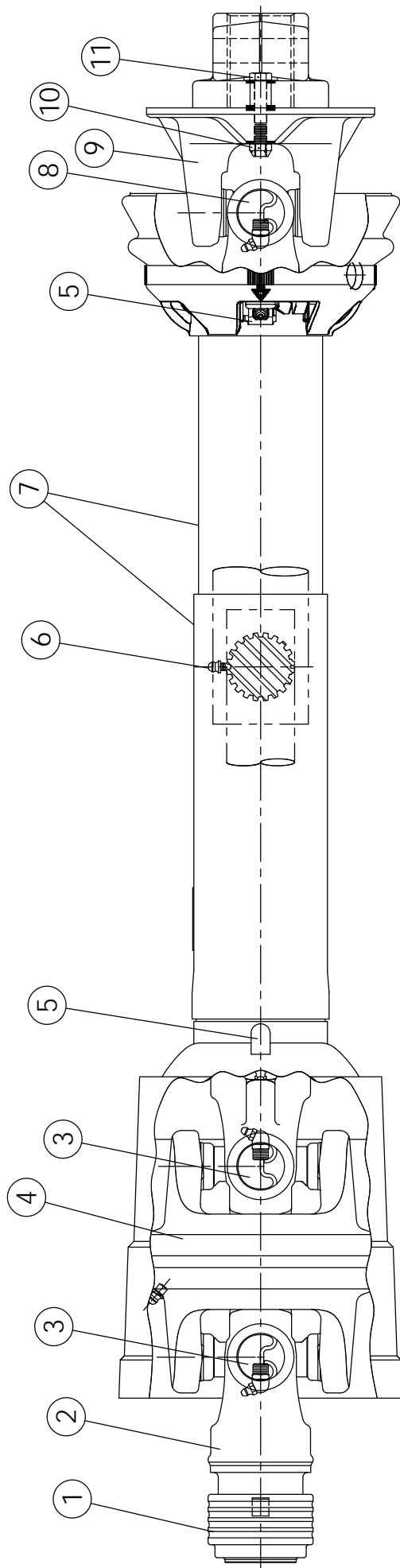
ITEM	PART NO.	DESCRIPTION	QTY
1	68668	HARNES-CIS HARVESTER 8R	1
2	65953	LAMP-RED TAIL	2
3	65954	LAMP-AMBER WARNING	2
4	65329	SIGN-SMV ASAE S276.5	1
5	62900	LIGHT-FLOOD W/WEATHER PACK	4
6	62894	GUARD-GRABROLL LIGHT	1
7	64175	BRACKET-LIGHT RH AMBER	1
8	64176	BRACKET-LIGHT LH AMBER	1
9	57168	BAR-LIGHT BRACKET	2
10	64235	BRACKET-LIGHT LH RED	1
11	64236	BRACKET-LIGHT RH RED	1
12	64290	MOUNT-SMV SIGN	1
13	1013423	BOLT-HEX: .25 X 1.00 NC GR5 ZP	16
14	1011595	BOLT-HEX: .25 X .75 NC GR5 ZP	2
15	1030946	NUT-TOPLOCK: .25 NC GR5 ZP	18
16	1011601	BOLT-HEX: .38 X 1.25 NC GR5 ZP	4
17	1016999	NUT-TOPLOCK: .38 NC GR5 ZP	5
18	1011606	BOLT-HEX: .50 X 1.25 NC GR5 ZP	2
19	1027461	NUT-TOPLOCK: .50 NC GR5 ZP	2
20	1011600	BOLT-HEX: .38 X 1.00 NC GR5 ZP	1
21	64047	ANGLE-GUARD	2



# PTO DRIVELINE #51481

## 1.75" - 20 SPLINE

ITEM	PART NO.	DESCRIPTION	QTY
1	62123	KT-SAFETY SLIDE LOCK REPAIR 1.750"	1
2	54157	YOKE ASSY-SAFETY SLIDE LOCK 1.750" CAT 5	1
3	54159	KT-CROSS & BEARING CAT 5	2
4	64411	HOUSING-CV CENTER ASSY CAT 5	1
5	64398	KT-NYLON REPAIR UNIVERSAL	2
6	54161	ZERK-DRIVE LUBE FTG (PRESSED IN)	4
7	64412	GUARD SET-CV PTO HRV MAX 74" EXT.	1
8	54172	KT-CROSS & BEARING 35E SERIES	1
9	57286	ASSY-BALL SHEAR HRV	1
10	1030700	NUT-TOPLOCK: .31 NC GR5 ZP	1
11	1011285	BOLT-HEX: .31 X 2.00 NC GR5 ZP	1

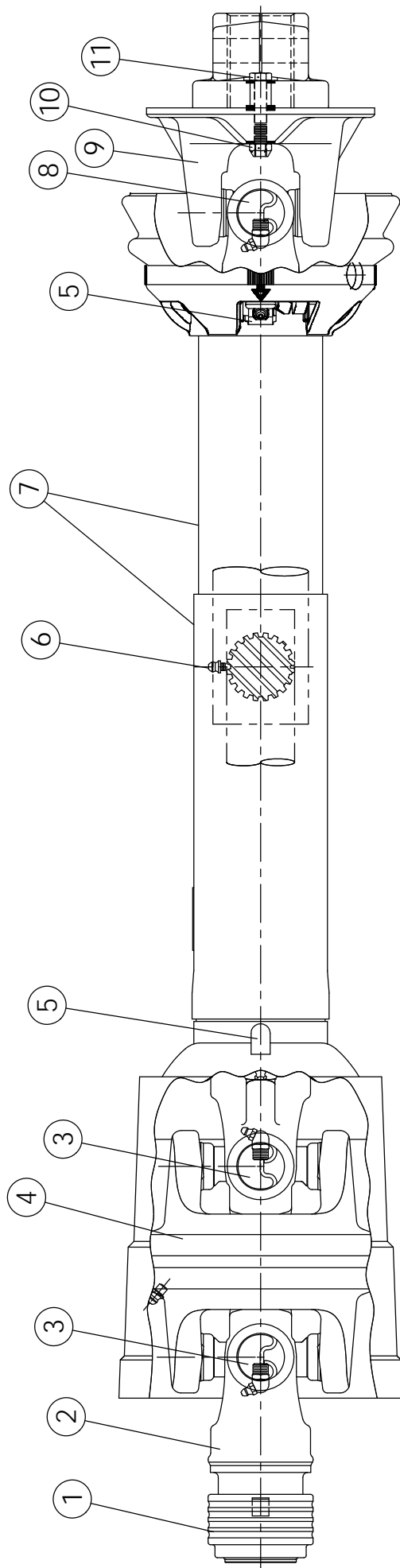




# PTO CV DRIVELINE #301558

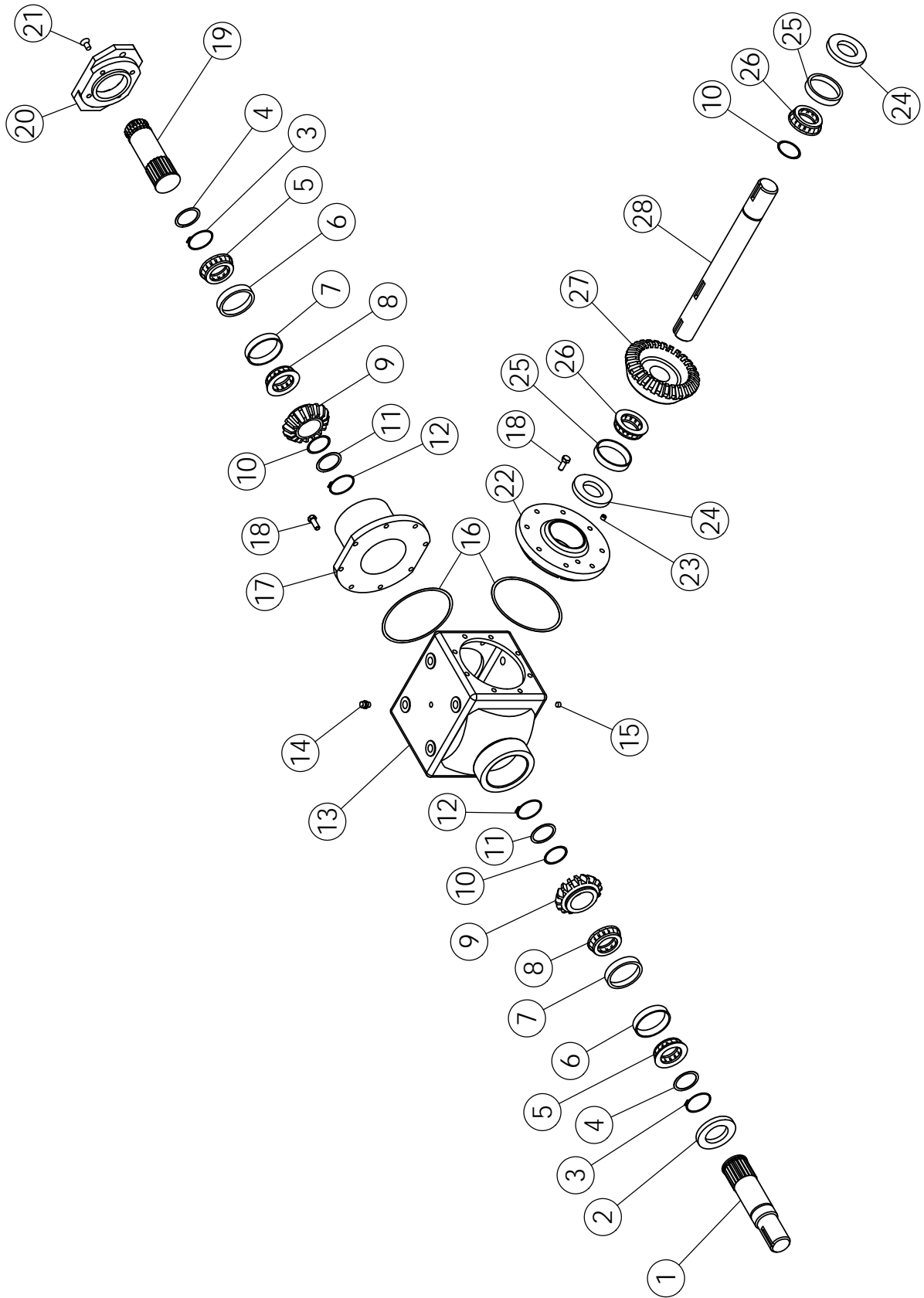
## 1.75" - 20 SPLINE

ITEM	PART NO.	DESCRIPTION	QTY
1	62123	KT-SAFETY SLIDE LOCK REPAIR 1.750"	1
2	305902	YOKE ASSY-SAFETY SLIDE LOCK 1.750" CAT 6 CV	1
3	301841	KT-CROSS & BEARING CAT 6	2
4	305904	HOUSING-CV CENTER ASSY CAT 6	1
5	64398	KT-NYLON REPAIR UNIVERSAL	2
6	54161	ZERK-DRIVE LUBE FTG (PRESSED IN)	4
7	301559	GUARD SET-CV PTO HRV MAX 90" EXT.	1
8	54172	KT-CROSS & BEARING 35E SERIES	1
9	57286	ASSY-BALL SHEAR HRV	1
10	1030700	NUT-TOPLOCK: .31 NC GR5 ZP	1
11	1011285	BOLT-HEX: .31 X 2.00 NC GR5 ZP	1



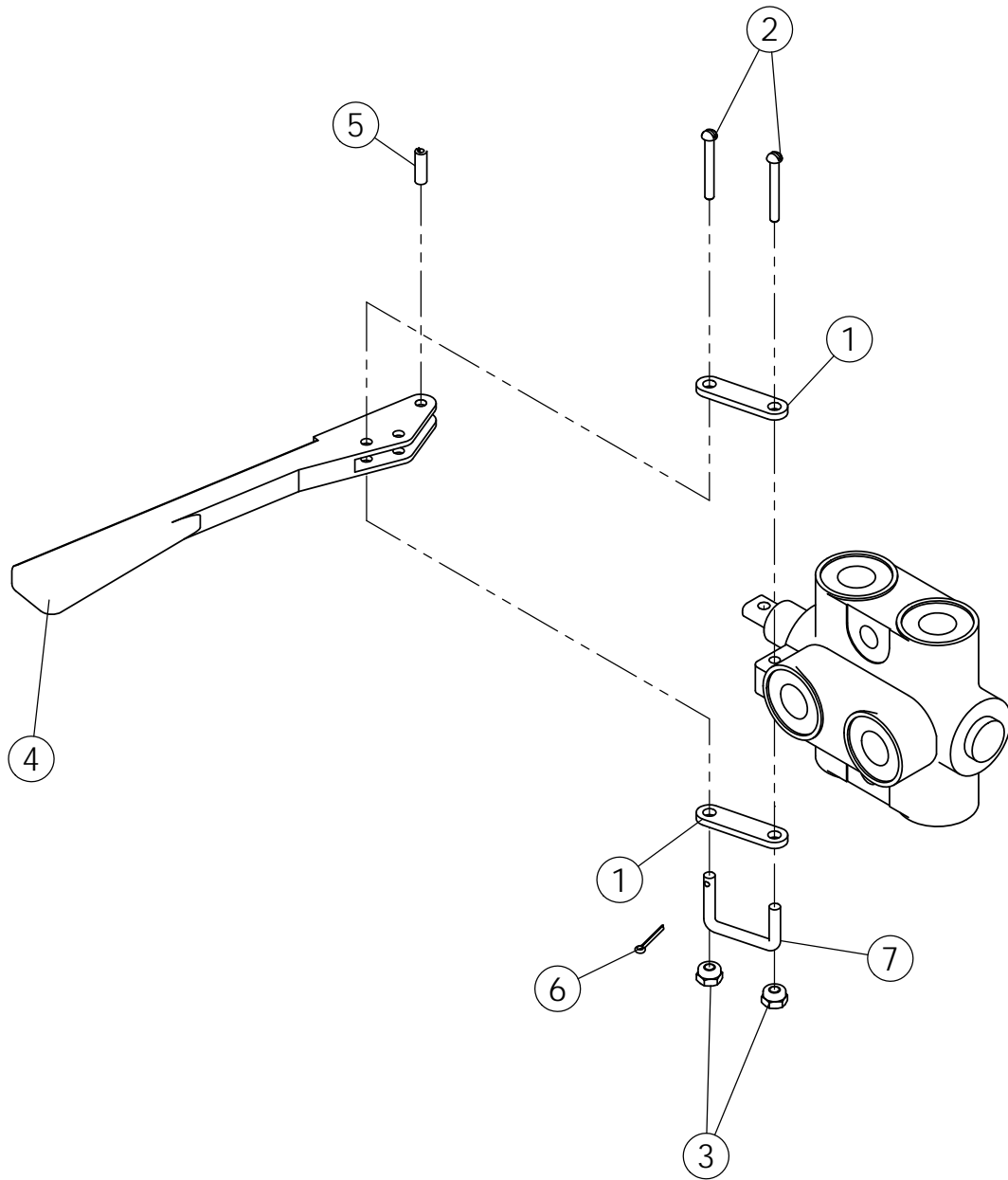
# PTO DRIVELINE #64168 38MM-8SPLINE

ITEM	PART NO.	DESCRIPTION	QTY
1	64394	SAFETY SLIDE LOCK REPAIR KIT	1
2	64395	SAFETY SLIDE LOCK YOKE ASSEMBLY	1
3	54159	CAT 5 CROSS & BEARING KIT	2
4	64411	CV CENTER HOUSING ASSEMBLY	1
5	64398	NYLON REPAIR KIT	2
6	54161	ZERK-GREASE STRAIGHT	4
7	64412	FULL GUARD SET W/NYLON BEARINGS	1
8	54172	35R CROSS & BEARING KIT	1
9	57286	BALL SHEAR ASSEMBLY	1
10	1030700	NUT-TOPLOCK: .31 NC GR5 ZP	1
11	1011285	BOLT-HEX: .31 X 2.00 NC GR5 ZP	1



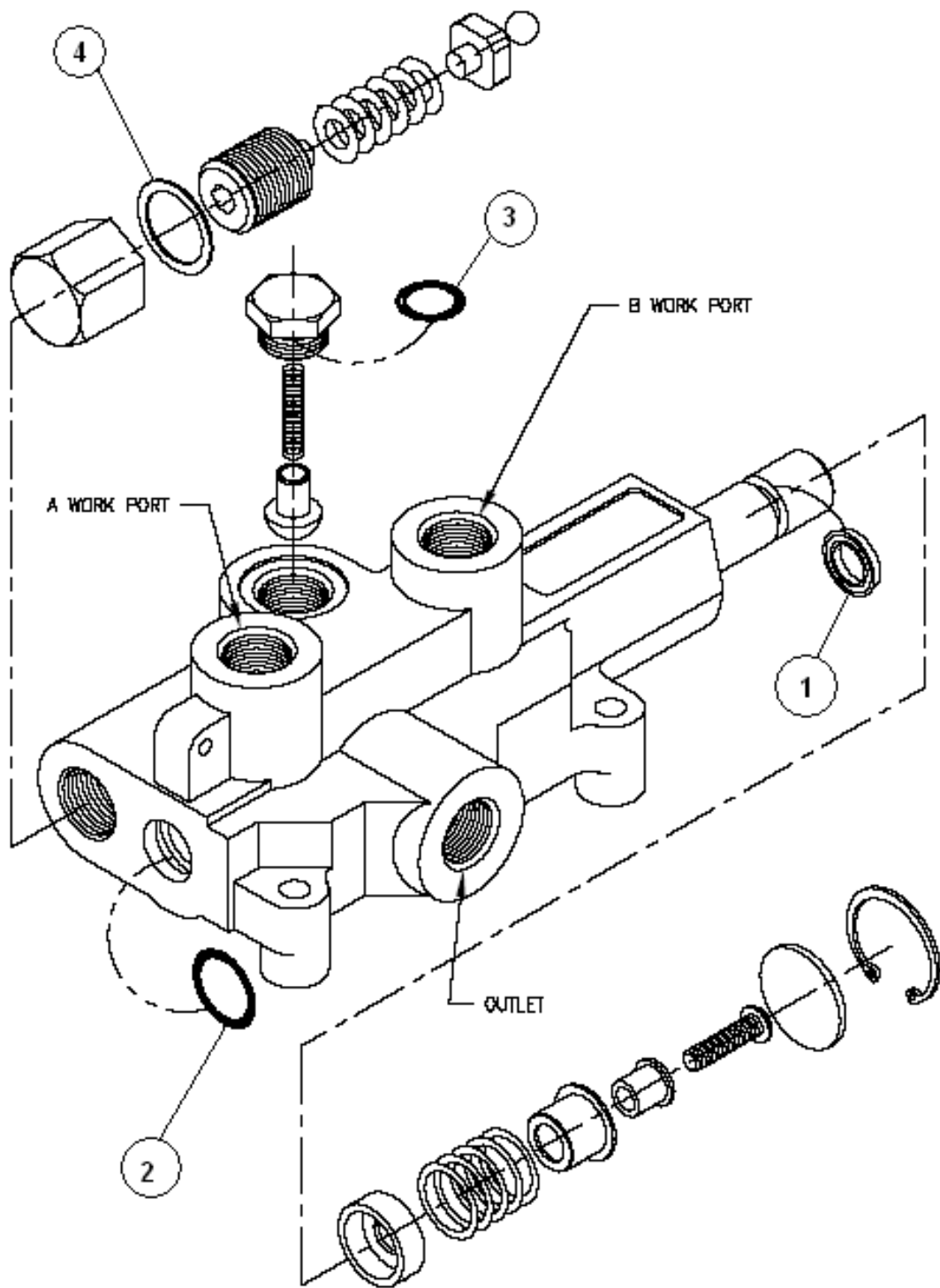
## GEARBOX (1.81:1) #62396 (PRIMARY: ONBOARD OPTION)

ITEM	PART NO.	DESCRIPTION	QTY
1	62721	QUILL SHAFT	1
2	62722	SEAL: 2.00 - 3.26	1
3	62724	SNAP RING	2
4	62723	WASHER 2.00 X .13	2
5	62725	BEARING CONE	2
6	62726	BEARING CUP	2
7	62727	BEARING CUP	2
8	62728	BEARING CONE	2
9	62729	PINION-16 TOOTH	2
10	62730	SHIM: 1.75 X .007	3
11	62731	WASHER 1.75 X .179	2
	68599	WASHER 1.75 X .135	
12	62732	SNAP RING	2
13	62733	CASE-900 SERIES	1
14	64408	VENT PLUG: .50 NPT (SQ. HD.)	1
15	62735	PLUG: .50 NPT	1
16	62736	SHIM-COVER	2
17	62737	QUILL HOUSING	1
18	62738	BOLT-HEX: .38 X 1.00 NC GR5 NP	16
19	62739	QUILL SHAFT	1
20	62740	FLANGE: 'SAE B' -2.00 BOLT	1
21	62741	SFHCS: .38 X .75 NC GR5	4
22	62742	COVER-OPEN .38 NPT	1
23	62743	PLUG: .38 NPT	1
24	62744	OIL SEAL: 1.75 X .31	2
25	62745	BEARING CUP	2
26	62746	BEARING CONE	2
27	64410	GEAR-29 TOOTH	1
28	64409	THRU SHAFT	1



# SELECTOR VALVE #58470

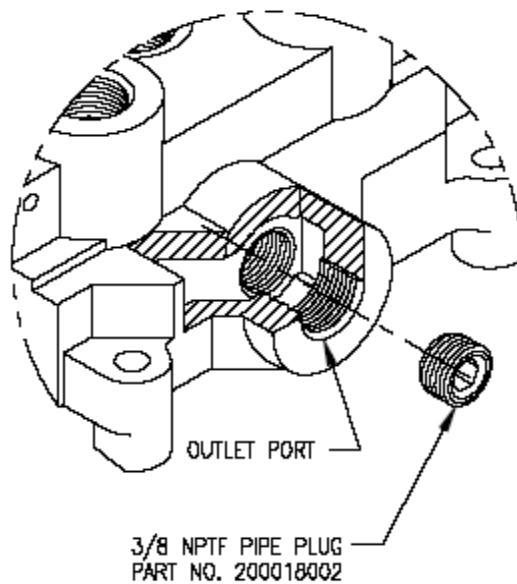
ITEM	PART NO.	DESCRIPTION	QTY
	64432	QUAD RING SEAL KIT	2
	58470-1	HANDLE KIT	1
1	68060	PLATE-TAB SELECTOR VALVE ZP	2
2	1011303	SCREW-MACH RND SLT: #10-24 X 1.25	2
3	65712	NUT-NYLOCK: 10-24 GR2 SS	2
4		HANDLE	1
5		SPRING PIN	1
6		PIN-COTTER HANDLE	1
7		CLIP-HANDLE	1





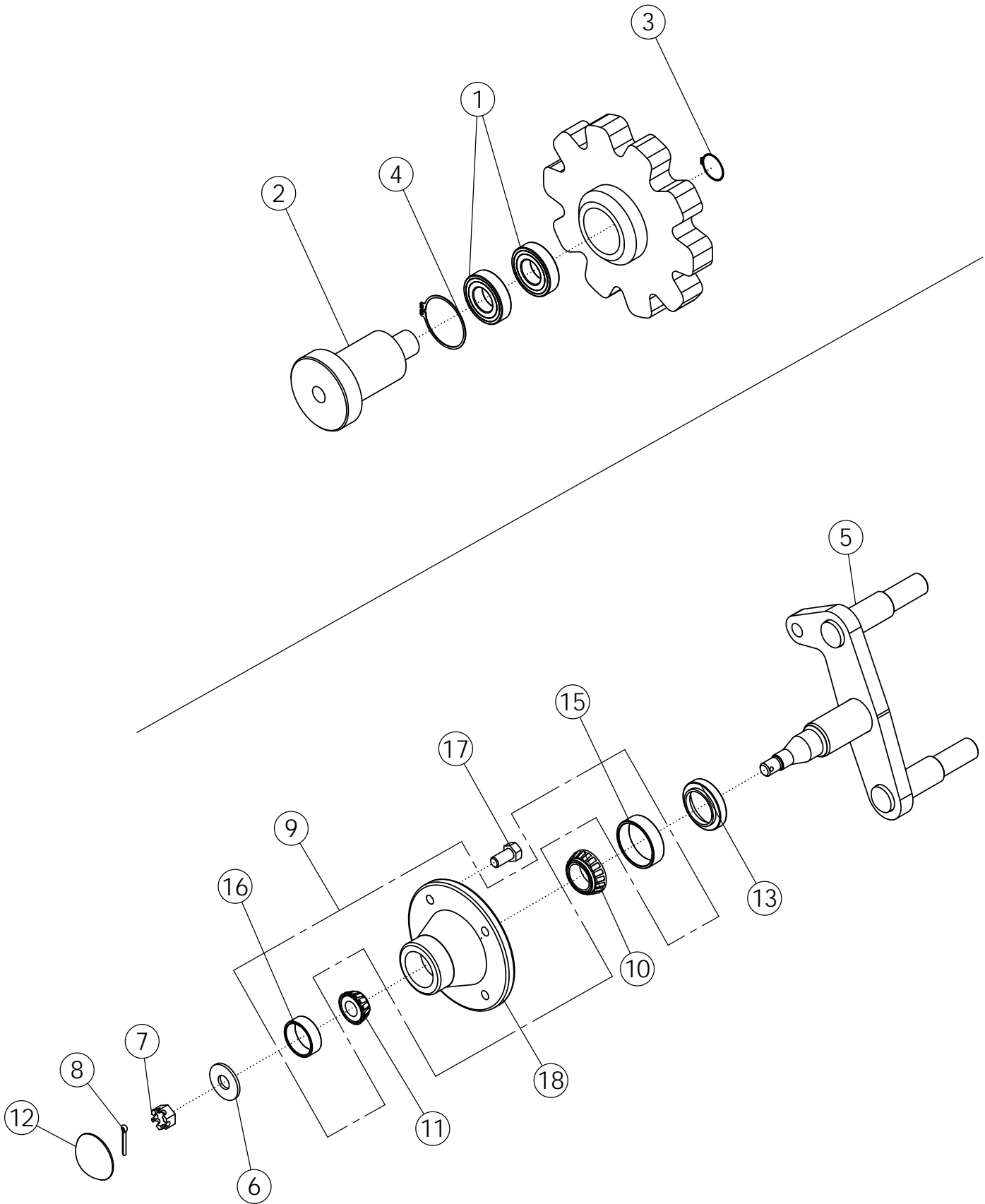
# ROW FINDER VALVE #301150

ITEM	PART NO.	DESCRIPTION	QTY
	62757	SEAL KIT	
1		U-CUP	1
2		O-RING	1
3		O-RING	1
4		ALUMINUM WASHER	1



## OPEN CENTER TO CLOSED CENTER CONVERSION

THIS FEATURE ALLOWS AN OTHERWISE OPEN CENTER VALVE TO BE CONVERTED TO CLOSED CENTER OPERATION. AS SHOWN ABOVE, A 3/8 NPTF PIPE PLUG IS INSTALLED IN THE BOTTOM OF THE OUTLET PORT TO BLOCK OPEN CENTER PASSAGE. A PIPE THREAD SEALANT SHOULD BE USED. THIS FEATURE IS STANDARD ON ALL VALVES WITH 3/4 NPTF INLET AND OUTLET PORTS. THE PIPE PLUG IS INCLUDED WITH THESE MODELS. DISCARD THE PIPE PLUG IF THE VALVE IS USED ON AN OPEN CENTER APPLICATION.



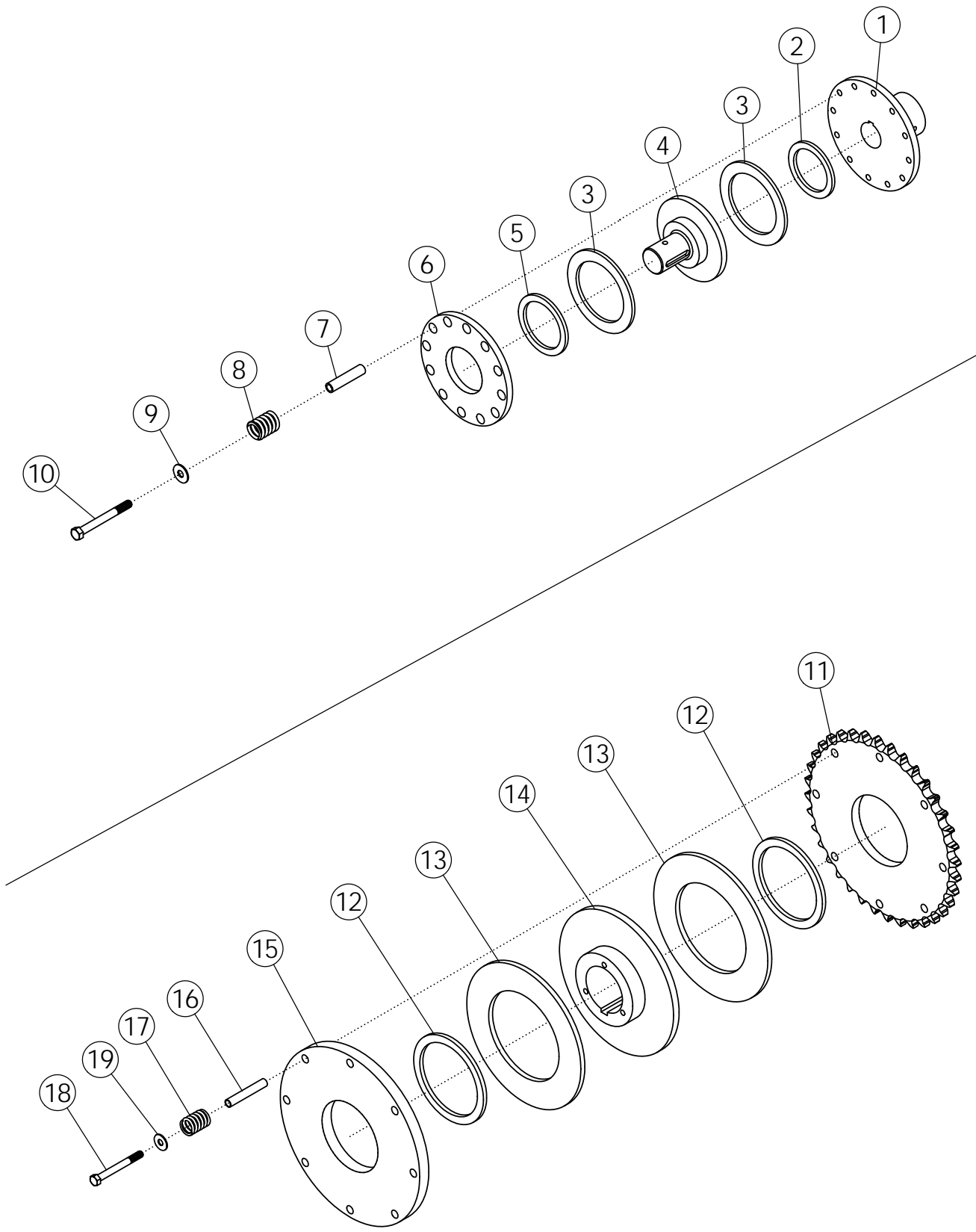
# SPROCKET #63813

ITEM	PART NO.	DESCRIPTION	QTY
1	54108	BEARING 2"	2
4	56892	STUB SHAFT	1
3	54154	SNAP RING SR3	1
2	54151	SNAP RING SR11	1

# BELT TIGHTENER #56422

ITEM	PART NO.	DESCRIPTION	QTY
5	56421	WLDMT - SPINDLE	1
6	1013623	BUSHING-MACH: .63 NP	1
7	1013625	NUT-HEX: SLOT .63 NF GR5 ZP	1
8	1013626	PIN-COTTER: .16 X 1.25 ZP	1
9	1015157*	HUB W/CUPS	1
10	1012356*	CONE-BEARING	1
11	1013620*	CONE-BEARING	1
12	1013622*	HUB CAP	1
13	1029527*	SEAL	1
14	56951	ASSY-HUB	1
15	1012360	CUP-BEARING LM67010	1
16	1013268	CUP-BEARING LM11910	1
17	54646	LUG-BOLT: .50 X 1.00	4
18	1017103	HUB-MACHINED	1

\*Items are included in item 14



## SLIP CLUTCH (IN-LINE) #57926

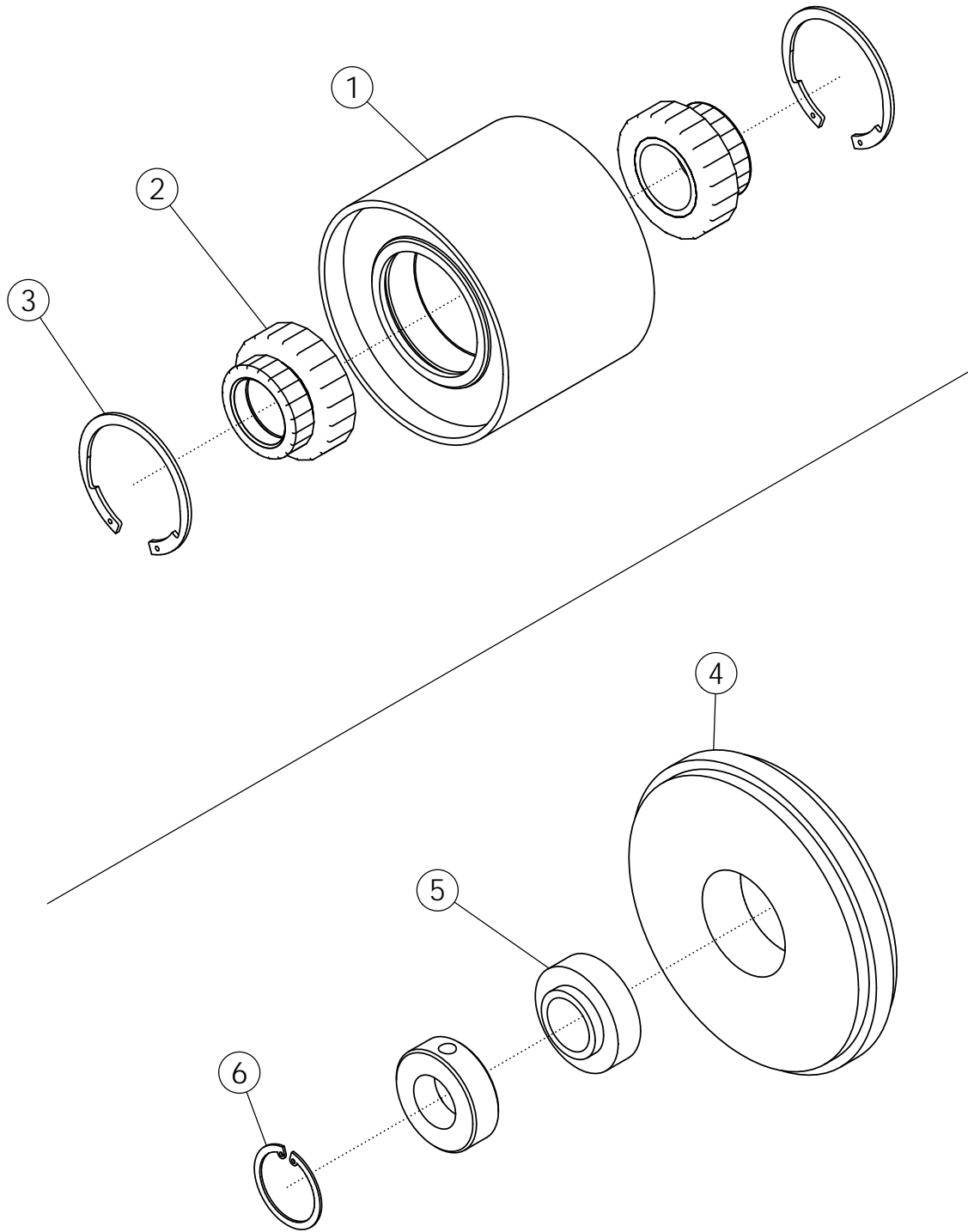
ITEM	PART NO.	DESCRIPTION	QTY
1	58168	HUB-DRIVE	1
2	58169	BUSHING-BRONZE	1
3	58170	DISC-FIBER	2
4	58171	HUB-SLIP CLUTCH	1
5	58172	BUSHING-BRONZE	1
6	58173	PLATE-SLIP CLUTCH	1
7	301701	TUBE-SLIP CLUTCH (2.38)	6
8	58174	SPRING-SLIP CLUTCH	6
9	1011828	WASHER-FLAT: .38 ZP	6
10	58176	BOLT-HEX: .38 X 3.50 NC GR5 ZP	6

## SLIP CLUTCH/SPOCKET #57993

ITEM	PART NO.	DESCRIPTION	QTY
11	58177	SPROCKET	1
12	58207	BUSHING-BRONZE	2
13	58215	DISC-FIBER	2
14	58209	HUB-CLUTCH	1
15	58211	PLATE-SLIP CLUTCH	1
16	58213	TUBE-SLIP CLUTCH (2.870")	8
17	58174	SPRING-SLIP CLUTCH	8
18	58176	BOLT-HEX: .38 X 3.50 NC GR5 ZP	8
19	1011828	WASHER-FLAT: .38 ZP	8

## SLIP CLUTCH/SPOCKET #58335

ITEM	PART NO.	DESCRIPTION	QTY
11	58566	SPROCKET	1
12	58208	BUSHING-BRONZE	2
13	58216	DISC-FIBER	2
14	58210	HUB-CLUTCH	1
15	58212	PLATE-SLIP CLUTCH	1
16	301701	TUBE-SLIP CLUTCH (2.38)	6
17	58174	SPRING-SLIP CLUTCH	6
18	1013239	BOLT-HEX: .38 X 3.00 NC GR5 ZP	6
19	1011828	WASHER-FLAT: .38 ZP	6



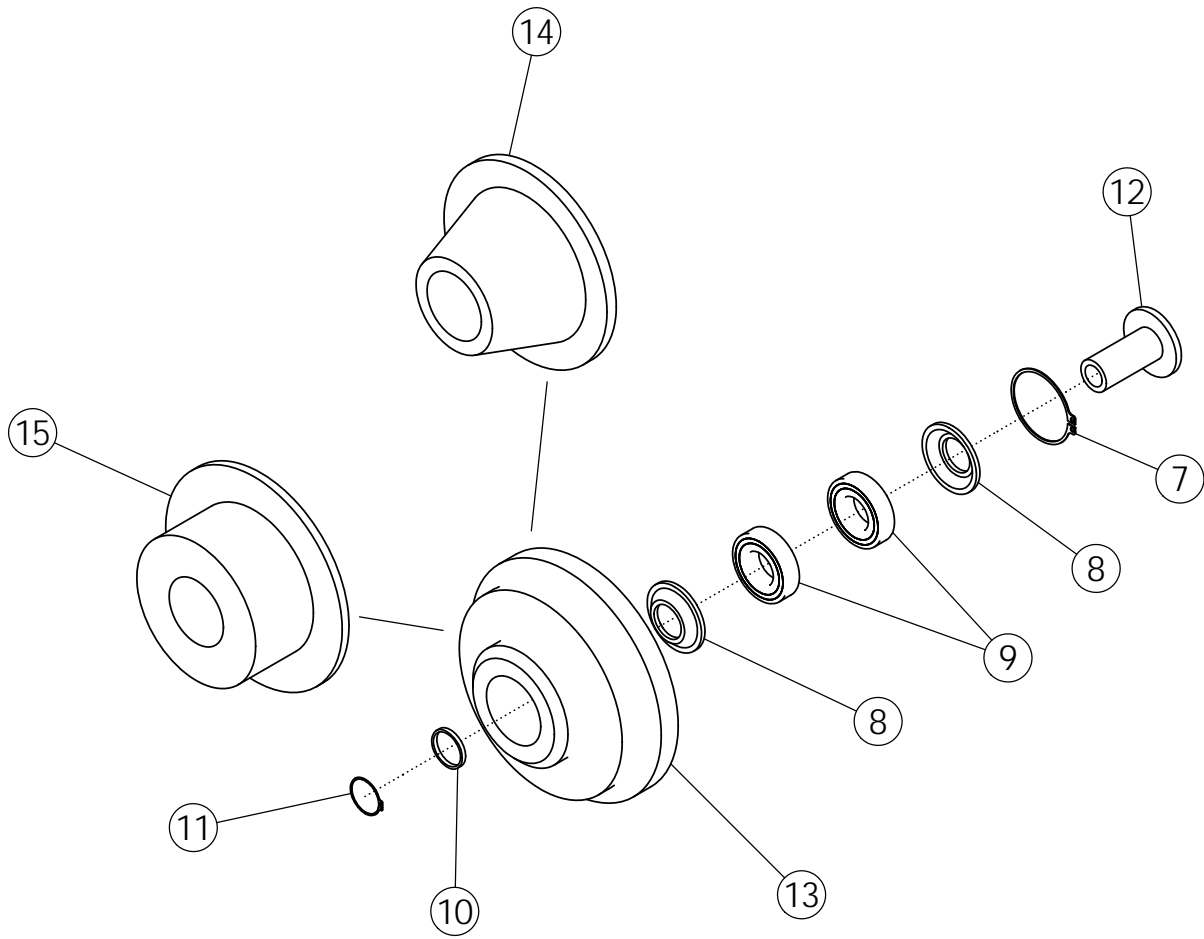
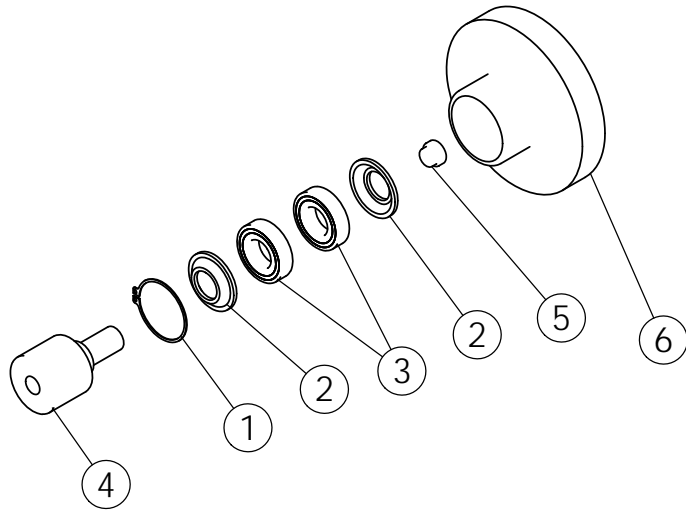
## IDLER PULLEY #56409

ITEM	PART NO.	DESCRIPTION	QTY
1	56408	WLDMT-PULLEY 8R	1
2	56399	BALL BEARING 1.75	2
3	56400	RETAINING RING	2

## SPROCKET IDLER #56851

ITEM	PART NO.	DESCRIPTION	QTY
4	56851*	ROLLER-IDLER	1
5	58806	BEARING-IDLER	1
6	58805	SNAP-RING	1

\*COMES WITH ITEMS 5 &6





# ROLLERS

ITEM	PART NO.	DESCRIPTION	QTY
1	54151	SNAP RING SR11	1
2	54152	WASHER	2
3	54108	BEARING 2"	2
4	56885	STUB SHAFT LONG	1
5	62702	STUB SHAFT SHORT	1
6	54042**	ROLLER-STEP 6"	1
* *COMES WITH ITEMS 1-5			
7	54151	SNAP RING SR11	1
8	54152	WASHER	2
9	54108	BEARING 2"	2
10	54153	SPACER-NRS	1
11	54154	SNAP RING SR3	1
12	56889	STUB SHAFT	1
13	53951*	ROLLER-STEP FLANGE 7"	1
12	54155	STUB SHAFT	1
14	53950*	ROLLER-CONE 6"	1
12	54155	STUB SHAFT	1
15	59057*	ROLLER-RUBBER FLANGE 6.5"	1

\* COMES WITH ITEMS 7-12

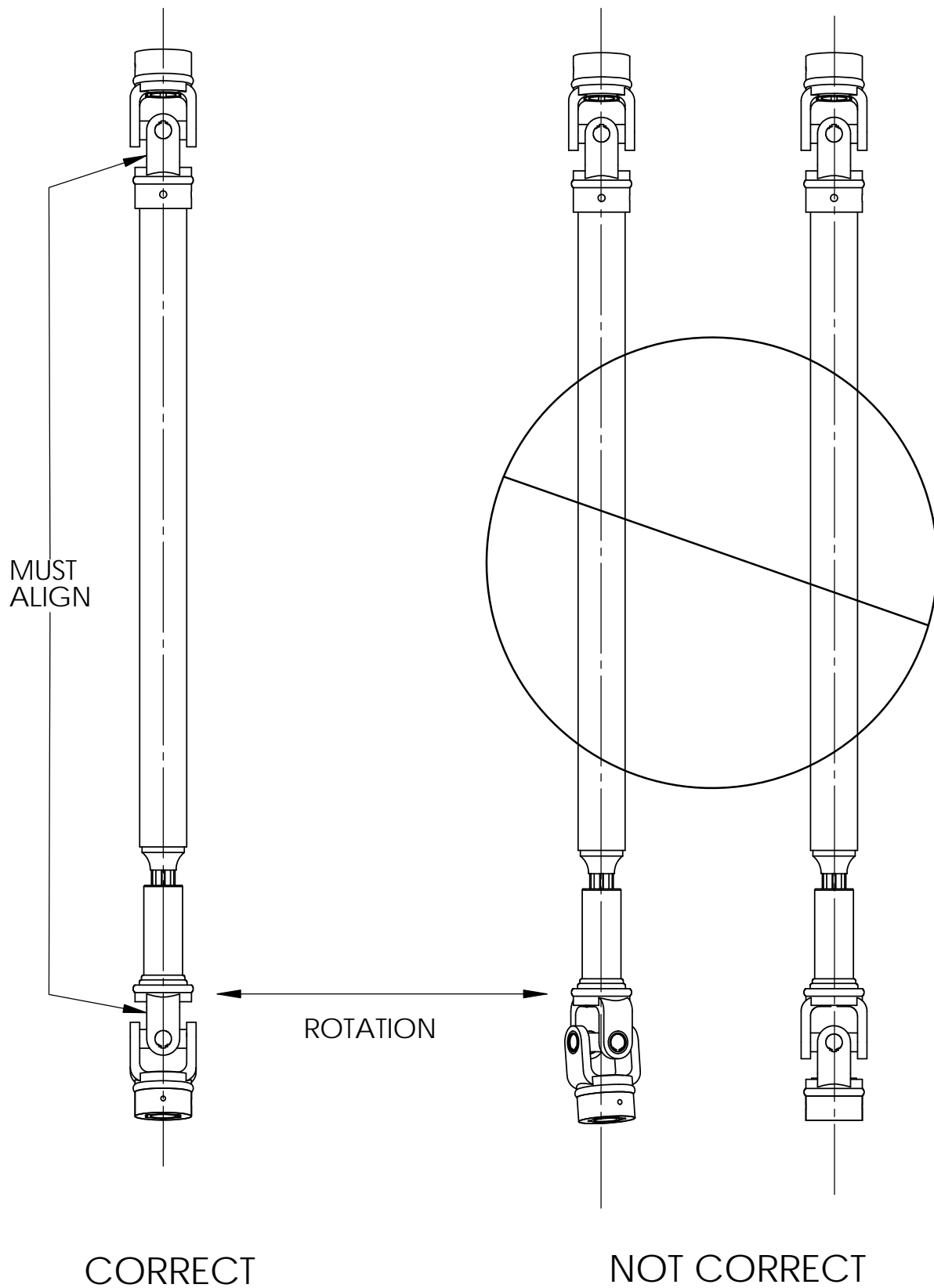
КОМПЛЕКТ ПОСТАВЛЯЕМОГО ІНСТРУМЕНТА #63927



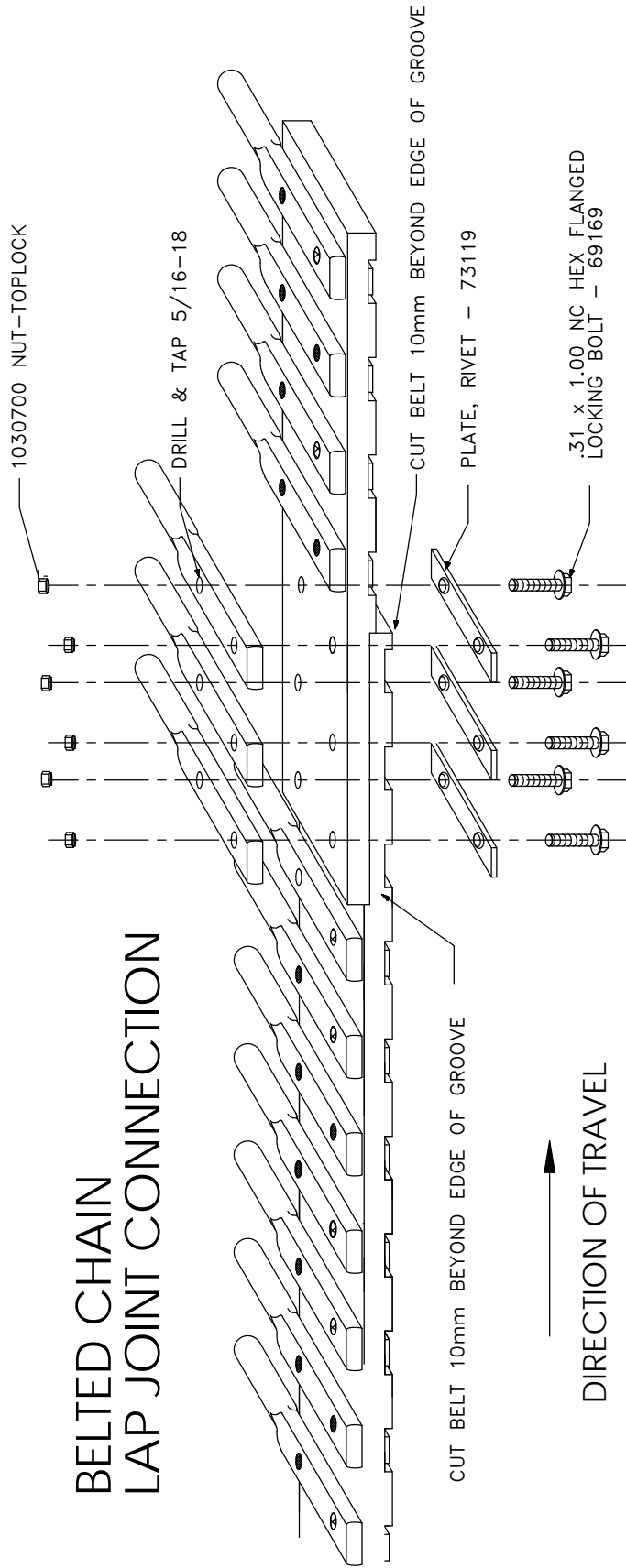
KIT-EXPORT TOOL HRV #63927  
КОМПЛЕКТ ПОСТОВЛЯЕМОГО ИНСТРУМЕНТА #63927

Поз.	Код	Наименование	Кол-во
1	63928	Набор гаечных ключей (от 3/8" до 1-1/4")	1
2	63930	Набор торцевых головок (от 7/16" до 1-1/4")	1
3	63931-8	Разводной ключ 6"	1
4	63931-6	Разводной ключ 8"	1
5	63931-10	Разводной ключ 10"	1
6	63932	Трубный ключ 14"	2
7	63933	Набор шестигранных ключей (набор из 13 ед.)	1
8	63934	Манометр КПа/PSI	1
9	64203	Гаечный ключ 5/16 дюйма	1
10	64204	Гаечный ключ 1-11/16 дюйма	1
11	64205	Изолента	1
12	64206	Плоскогубцы 6"	1
13	64509	Гаечный ключ 1-7/8 дюйма	1
14	69055	Щипцы для снятия стопорных колец	1
15	301117	Ручная лебедка	1

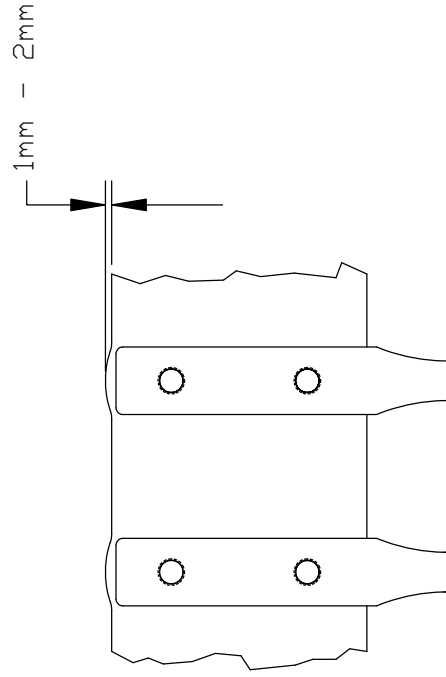
# SCRUB DRIVELINE ASSEMBLY



# BELTED CHAIN LAP JOINT CONNECTION

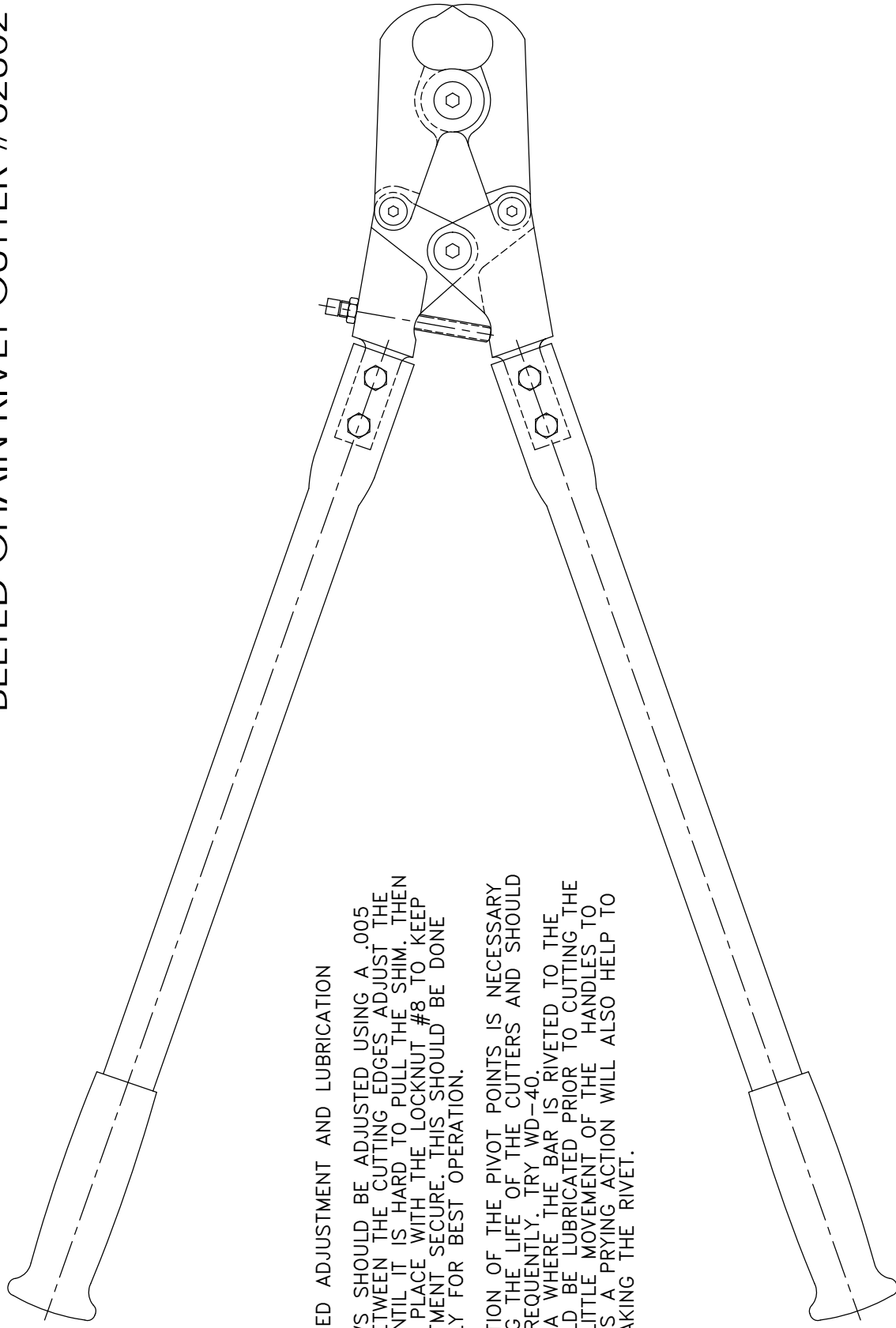


WARNING : ENSURE THAT SCREWS ARE SUFFICIENTLY TIGHT TO PRODUCE A BULGE AT THE EDGE OF THE BELT OF BETWEEN 1 AND 2mm (SEE DIAGRAM). FAILURE TO DO SO MAY CAUSE PREMATURE FAILURE AND VOID YOUR WARRANTY



Elevator (Standard)			
Machine	Rod Diameter	ST	FLT
6R/8R	0.5	73122	69336
Elevator (Double)			
Machine	Rod Diameter	ST	FLT
6R/8R	0.5	301528	301526
Apron			
Machine	Rod Diameter	ST	UP
6R22/8R22	0.5	73122	73123
6R22/8R22	0.625	69660	69661
6R30	0.625	64994	69953

# BELTED CHAIN RIVET CUTTER #62802



## RECOMMENDED ADJUSTMENT AND LUBRICATION

1. THE JAWS SHOULD BE ADJUSTED USING A .005 IN. SHIM BETWEEN THE CUTTING EDGES. ADJUST THE BOLT #7 UNTIL IT IS HARD TO PULL THE SHIM. THEN LOCK IT IN PLACE WITH THE LOCKNUT #8 TO KEEP THE ADJUSTMENT SECURE. THIS SHOULD BE DONE PERIODICALLY FOR BEST OPERATION.
2. LUBRICATION OF THE PIVOT POINTS IS NECESSARY TO PROLONG THE LIFE OF THE CUTTERS AND SHOULD BE DONE FREQUENTLY. TRY WD-40.
3. THE AREA WHERE THE BAR IS RIVETED TO THE BELT SHOULD BE LUBRICATED PRIOR TO CUTTING THE RIVETS. A LITTLE MOVEMENT OF THE HANDLES TO THE SIDE AS A PRYING ACTION WILL ALSO HELP TO FINISH BREAKING THE RIVET.